

**Series 4, built-in oven, 60 x 60 cm,
Black
HBS573BB0B**



Included accessories

2 x combination grid
1 x universal pan
2 x Universal pan
slim size

Optional accessories

HEZ317000 , HEZ327000 , HEZ333001 , HEZ530000 Half tray,
HEZ531000 Baking tray, grey enamelled, HEZ531010 Baking
tray, non-stick ceramic coated, HEZ532000 , HEZ532010 ,
HEZ533000 , HEZ538000 1fold telescopic rail, level
independent, HEZ538200 , HEZ538S00 , HEZ625071 Grill tray,
anthracite enamelled, HEZ633001 , HEZ633070 , HEZ634000
Baking and roasting grid (standard), HEZ636000 Glass pan,
HEZ638000 Full ext rails, level independent, HEZ638200 ,
HEZ638300 3 level telescopic rails, full ext, HEZ660050 Cover
Strip, HEZ664000 , HEZ915003 Glass roasting dish, 5,4 L,
HEZG0AS00

**The built-in oven with AutoPilot:
automatically prepares perfect dishes.**

- **3D Hotair:** even heat distribution for perfect results on up to three levels.
- **AutoPilot 10:** every dish is a perfect success thanks to 10 pre-set automatic programmes.
- **Red LED display control:** easy-to-use thanks to clear time display.
- **Pop-out controls:** Make the front of the oven easy to clean and give it a sleek look.
- **Pyrolytic self-cleaning:** Automatically cleans the oven, just wipe out the ash.

Technical Data

Gross weight : 41.1 kg
Color / Material Front : Black
Built-in / Free-standing : Built-in
Integrated Cleaning system : Pyrolytic
Min. required niche size for installation (HxWxD) : 585-595 x
560-568 x 550 mm
Dimensions : 595 x 594 x 548 mm
Dimensions of the packed product (HxWxD) : 675 x 690 x 670
mm
Control Panel Material : Glass
Door Material : Glass
Net weight : 38.9 kg
Usable volume (of cavity) - cavity 1 : 71 l
Cooking method : Conventional heat, Full width grill, Hot Air,
Hotair gentle, Hot air grilling
First cavity material : Other
Number of interior lights : 1
Length electrical supply cord : 120.0 cm
Interior Lights - cavity 1 : 1
: Accessory
Clock function : Alarm, Off, On
Included accessories : 2 x combination grid, 1 x universal pan,
2 x Universal pan, slim size
Broil Element Wattages cavity 1 : 2800 W
Convection Element Wattages cavity 1 : 1600 W
Energy efficiency rating : A
Energy consumption per cycle conventional (2010/30/EC) :
0.99 kWh/cycle
Energy consumption per cycle forced air convection (2010/30/
EC) : 0.81 kWh/cycle
Energy efficiency index (2010/30/EC) : 95.3 %
Connection Rating : 2990 W
Fuse protection : 13 A
Voltage : 220-240 V
Frequency : 50; 60 Hz
Plug type : no plug (electrical connection by electrician)
Color / Material Front : Black
Energy input : Electric
Required cutout/niche size for installation (in) : x x
Dimensions of the packed product : 26.57 x 26.37 x 27.16
Net weight : 86.000 lbs
Gross weight : 91.000 lbs
Length electrical supply cord : 120.0 cm
Net weight : 38.9 kg
Included accessories : 2 x combination grid, 1 x universal pan,
2 x Universal pan, slim size



4 242005 285297

Series 4, built-in oven, 60 x 60 cm, Black HBS573BB0B

**The built-in oven with AutoPilot:
automatically prepares perfect dishes.**

Design

- LED-display control (red)
- Rotary dial, Retractable control dials, round
- 5 shelf positions
- Straight bar handle

Features

- Electronic clock timer
- Heating-up indicator
AutoPilot Automatic start
- Electronic door lock
Control panel lock Automatic safety switch off
- AutoPilot, 10
- Automatic programmes
- Interior halogen light, Light on/off when oven door opened/
closed
- Integral cooling fan

Cleaning

- Pyrolytic self-cleaning function
- Full glass inner door

Programmes/functions

- Oven with 5 cooking functions: heating methods: 3D Hotair,
conventional top and bottom heat, Hotair grilling, full width
variable grill, Hotair gentle
- Fast pre-heating function
- Temperature range 50 °C - 275 °C

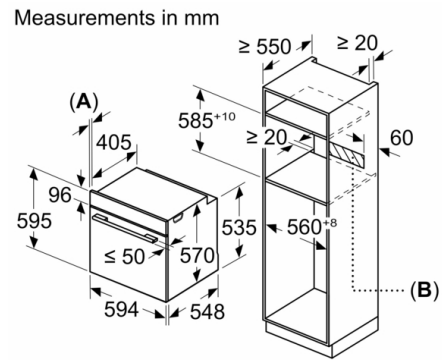
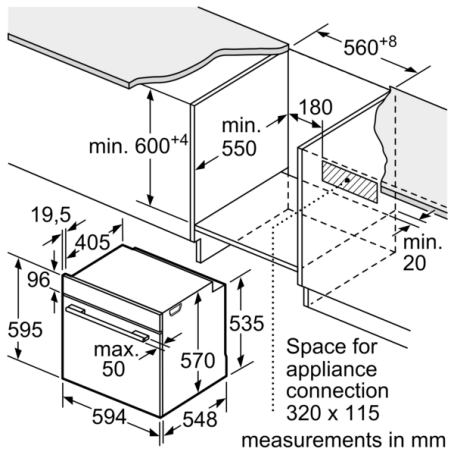
Accessories

- 2 x combination grid, 1 x universal pan, 2 x Universal pan,
slim size

Technical information

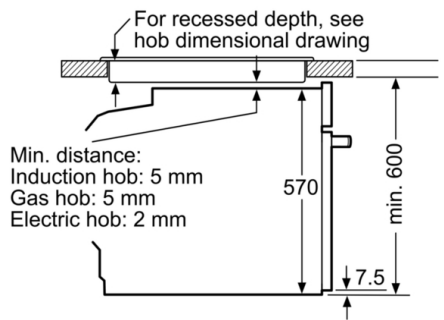
- Energy efficiency rating (acc. EU Nr. 65/2014): A
Energy consumption per cycle in conventional mode:0.99
kWh
Energy consumption per cycle in fan-forced convection
mode:0.81 kWh
Number of cavities: Main cavity Heat source: electrical Cavity
volume:71 litre capacity
- Total connected load electric: 2.99 KW
- 120 cm Cable length
- Nominal voltage: 220 - 240 V
- Appliance dimension (hxwxd): 595 mm x 594 mm x 548 mm
- Niche dimension (hxwxd): 585 mm - 595 mm x 560 mm - 568
mm x 550 mm
- Please refer to the dimensions provided in the installation
manual

**Series 4, built-in oven, 60 x 60 cm, Black
HBS573BB0B**

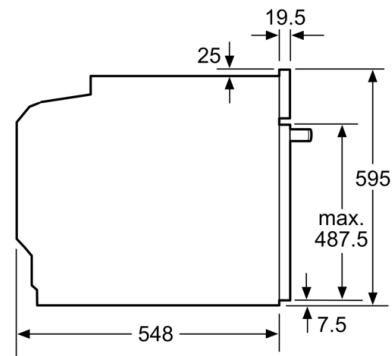


A: 19.5 mm
B: Space for appliance connection 320 x 115 mm

Installation with a hob.



measurements in mm



measurements in mm