

**Series 2, Wall-mounted cooker hood,
60 cm
DWB64BC50B**



Optional accessories

DHZ1225 Chimney extension 1000 mm, DHZ1235 Chimney extension 1500 mm, DHZ6550 Brushed steel back panel, DHZ6551 Brushed steel back panel, DWZ0DX0A0 Standard odor filter (replacement), DWZ0DX0U0 Standard recirculation kit, DWZ0XX0J0 Long Life recirculation kit, DWZ1DX1B4, DWZ1DX1I4 Clean Air Standard recirculation kit, DWZ1DX1I6 Clean Air Plus recirculation kit, DWZ1FX5C6 Clean Air Plus recirc. kit external, DWZ1FX5D1, DZZ0XX0P0 Long Life odor filter (replacement), DZZ1XX1B6 Clean Air Plus odor filter (replacement)

Box design hood: performance and matching kitchen design complete in one hood.

- **Silent:** maximum extractor performance with minimal noise.
- **LED illumination:** The energy-saving lighting provides bright and clear lighting for the hob area.
- An impressive extraction rate of m³/h ensures this hood will have your kitchen odour free in no time.
- Dishwasher safe aluminum mesh filters

Technical Data

Typology : Wall-mounted
 Length of electrical supply cord : 130.0 cm
 Height of the chimney : 583-912/583-1022 mm
 Height of product, without chimney : 53 mm
 Net weight : 10.3 kg
 Type of control : mechanical
 Number of speed settings : 3
 Maximum output air extraction : 365 m³/h
 Maximum output recirculating air : 240 m³/h
 Number of lights (Stck) : 2
 Noise level : 63 dB(A) re 1 pW
 Diameter of air outlet : 120 / 150 mm
 Grease filter material : Washable aluminium
 Odour filter : No
 Operating Mode : Convertible
 Optional accessories : DWZ0XX0J0, DWZ1DX1B4, DWZ1DX1I4, DWZ1DX1I6, DWZ1FX5C6, DWZ1FX5D1, DZZ0XX0P0, DZZ1XX1B6, DHZ1225, DHZ1235, DHZ6550, DHZ6551, DWZ0DX0A0, DWZ0DX0U0
 Type of lamps used : LED
 Grease filter type : Kasette
 Connection rating : 100 W
 Fuse protection : 10 A
 Voltage : 220-240 V
 Frequency : 50; 60 Hz
 Plug type : GB plug
 Installation type : Wall-mounted
 Material body : Stainless steel
 Plug type : GB plug
 Dimensions of the product, with chimney (if exists) (in) : / x x
 Dimensions of the packed product : 19.29 x 25.59 x 28.74
 Net weight : 23.000 lbs
 Gross weight : 33.000 lbs
 Motor location : Integrated motor in hood chimney
 No-return airflow flap : No
 Length of electrical supply cord : 130.0 cm
 Dimensions of the product, with chimney (if exists) : 635-1075 MM x 600.0 x 500.0 mm
 Dimensions of the packed product (HxWxD) : 490 x 650 x 730 mm
 Net weight : 10.3 kg
 Gross weight : 14.8 kg



Series 2, Wall-mounted cooker hood, 60 cm DWB64BC50B * In accordance with the EU-Regulation No 65/2014

Box design hood: performance and matching kitchen design complete in one hood.

Key performance features:

- Energy Efficiency Class: D (at a range of energy efficiency classes from A+++ to D)
- Max. extraction rate: 365 m³/h
- Noise max. Normal Level: Noise, max. speed in normal us: 63 dB dB*

Features

- 3 power levels
- 2 x 1.5W LED light
- Colour Temperature: 3500 K
- 2 removable metal grease filter cassettes
- Installation: wall

Design

- Chimney extractor hood
- Push button control
- Mechanical

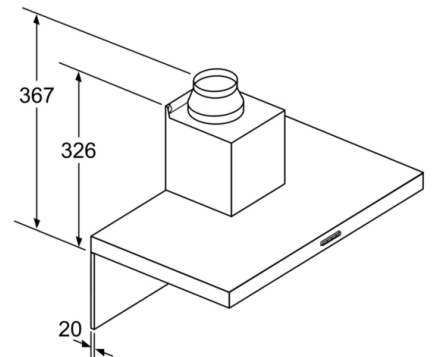
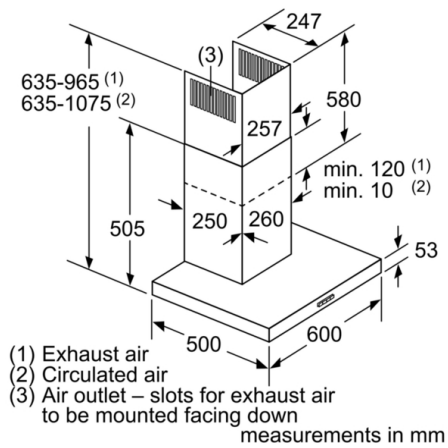
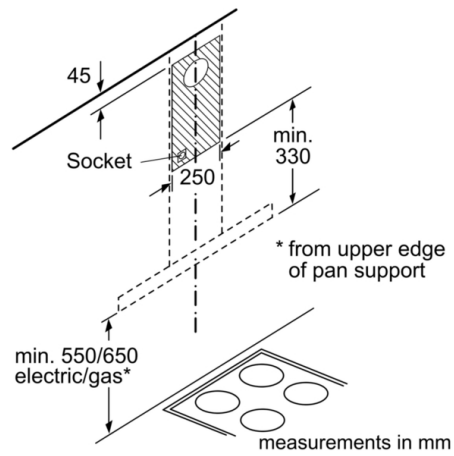
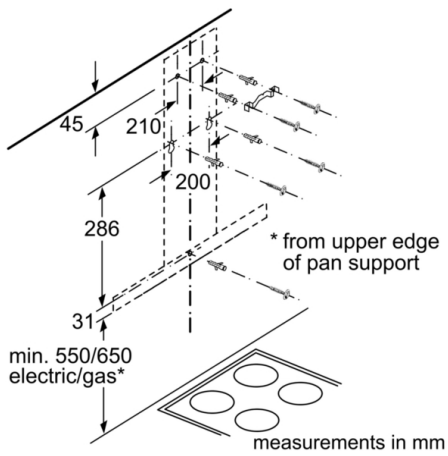
Performance/technical information

- Suitable for ducted or recirculating operation
- For recirculated extraction recirculating kit or CleanAir recirculating kit (accessory) needed
- Maximum extraction rate exhaust air 365 m³/h according to EN 61591
- Noise level according to EN 60704-3 and EN 60704-2-13 at max. normal use exhaust air: 63 dB(A) re 1 pW
- Power rating: 100 W
- Light Intensity: 99 lux
- Electrical cable length 1.3 m
- Diameter pipe Ø 150 mm (Ø 120 mm enclosed)
- Dimensions exhaust air (HxWxD): 635-965 x 600 x 500 mm
- Dimensions recirculating (HxWxD): 635-1075 x 600 x 500 mm
- Dimensions recirculating with CleanAir module (HxWxD):
703 x 600 x 500mm - mounting with outer chimney
833-1163 x 600 x 500 mm - mounting with telescopic chimney
- Blower Efficiency Class: E*
- Lighting Efficiency Class: A*
- Grease Filtering Efficiency Class: C*
- Average Energy Consumption: 53.1 kWh/year*

Optional accessories

- Recirculating kit DWZ0XX0J0

Series 2, Wall-mounted cooker hood, 60 cm DWB64BC50B



If a back panel is used, the design of the appliance must be considered. measurements in mm