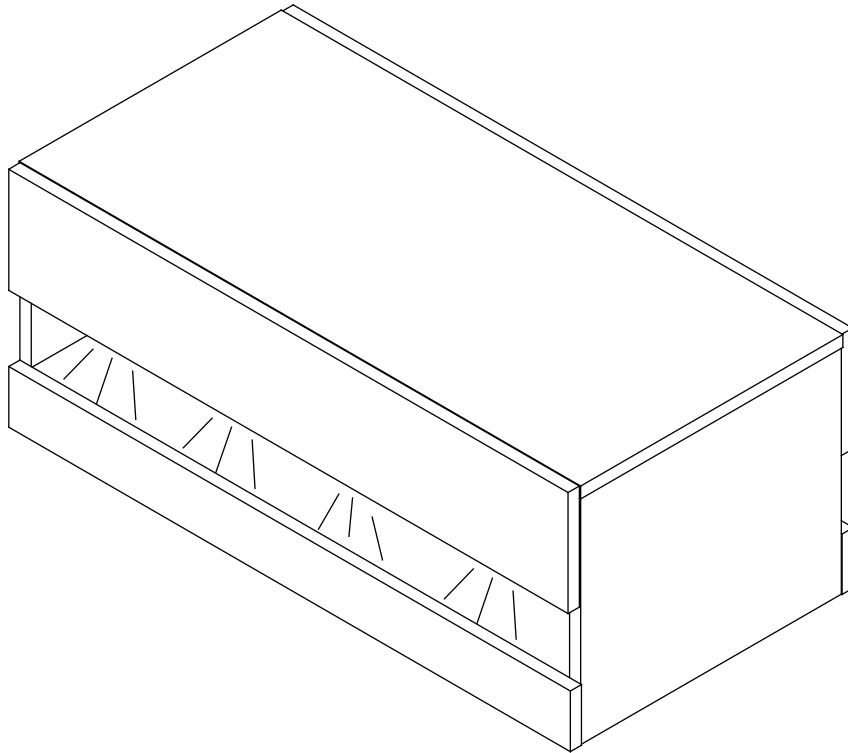


GALICIA COFFEE TABLE ASSEMBLY INSTRUCTIONS

Thank you for purchasing the Galicia Coffee Table With LED.

Please read the instructions carefully to ensure safe operation of this product.



Size: 75 x 38 x 30 cm (WDH)

Colour: White or Grey or Black

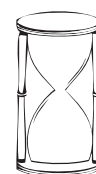
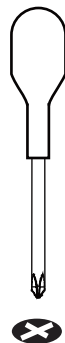
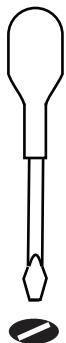
Finish: Melamine Cabinet with Gloss Faces

PLEASE READ this sheet prior to assembly to familiarise yourself with the various stages of construction.

Carefully open the pack supplied and check the contents against the parts and fittings check list. Do not destroy any of the packaging until you are certain that you have all the necessary parts for the assembly.

CAUTION: There are small components used in the construction of this unit. These loose items should be kept away from young children whilst assembling your unit to avoid the danger of choking.

Tools Required



1 Hour
Set Up

Version 4 - 220217

PO No: _____

Page 1 of 11

IMPORTANT - READ CAREFULLY - RETAIN THESE INSTRUCTIONS FOR FUTURE REFERENCE.

INFORMATION

- This product is designed to hold 20 Kg in total, spread evenly over the whole unit.
- Do not exceed this weight.
- We recommend that this unit is assembled in the room intended for use.
- When you are ready to start, make sure that you have the right tools, plenty of space and a clean, dry area for assembly.
- Unwrap all packaging materials and place the components on top of the carton box or on a clean floor to prevent them from scratching.
- Check the pack and make sure you have all the parts listed.
- Ensure that this product is fully assembled as illustrated before use.
- Check all screws or bolts are tightened and inspect regularly
- Tools not included unless specified in parts list.

WARNINGS

- DO NOT use power tools to construct this product.
- DO NOT tighten screws until parts are assembled or as advised in this guide.
- DO NOT over tighten screws or bolts.
- DO NOT use this product if parts are missing, damaged or worn.

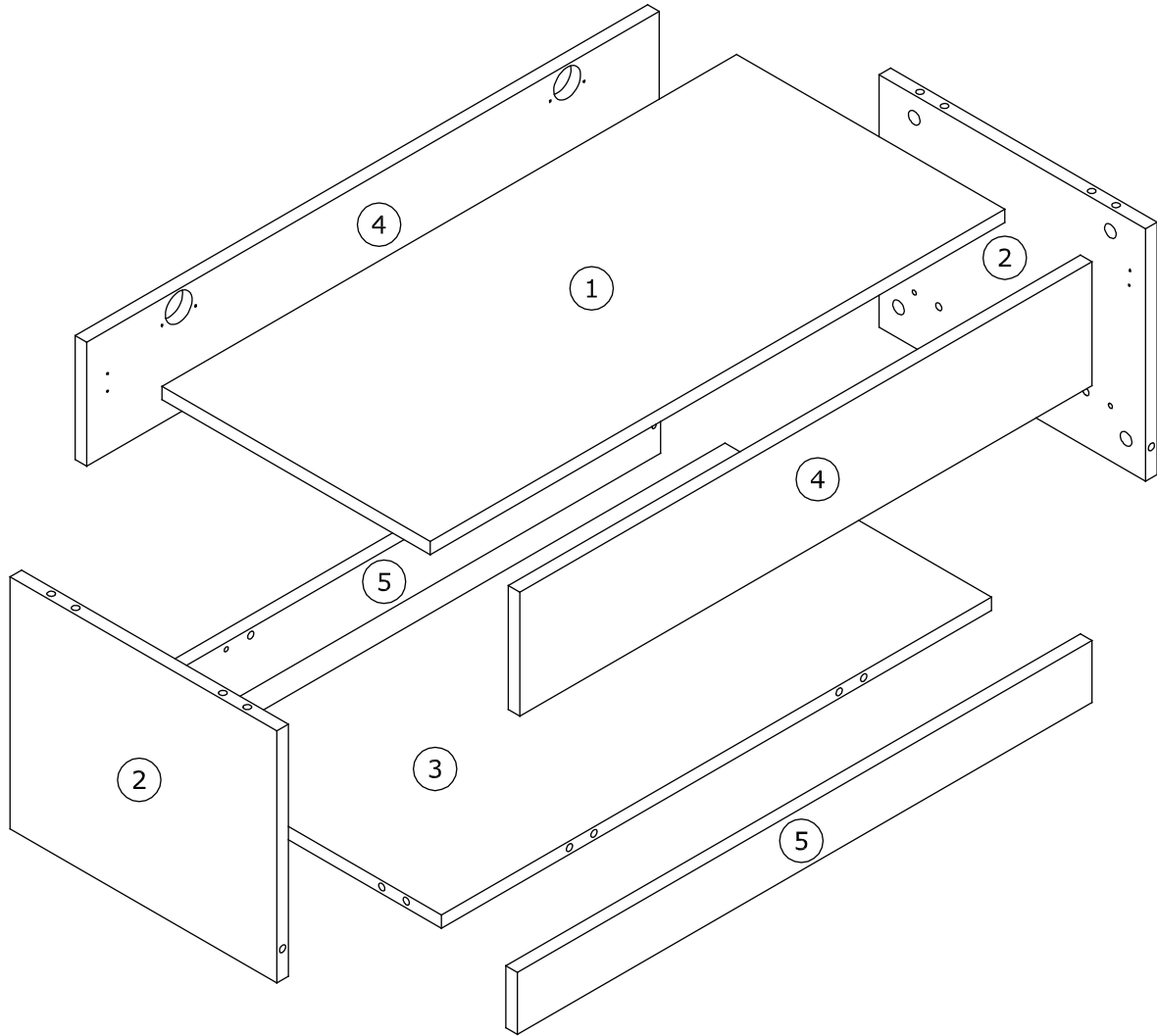
CARE INFORMATION

- To clean, wipe with a damp cloth.
- Never use scourers, abrasives or chemical cleaners.
- Do not use solvent based cleaners or detergents as they can bleach or damage the product.

Parts and Fittings Checklist

Please check the pack contents before assembling the product. If any components are missing, please contact your retailer.

The fittings pack contains small items that should be kept away from children.



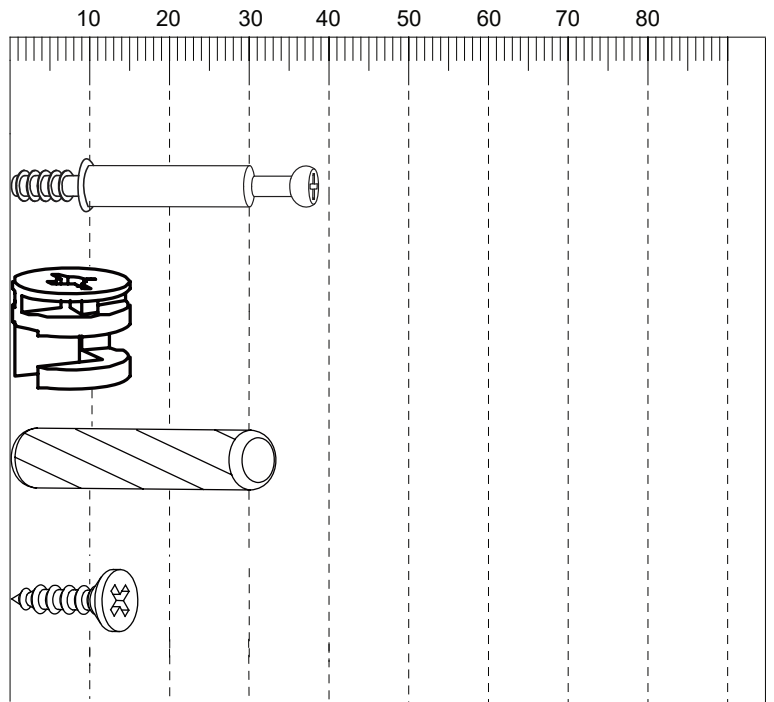
All parts are packed in one carton

1	2	3
Description: Top Panel Qty: 1 Size: 750 x 350 x 15 mm Carton No: 1/1	Description: Side Panels Qty: 2 Size: 285 x 348 x 15 mm Carton No: 1/1	Description: Base Panel Qty: 1 Size: 718 x 348 x 15 mm Carton No: 1/1
4	5	
Description: Flap Qty: 2 Size: 747 x 140 x 15 mm Carton No: 1/1	Description: Plinth Qty: 2 Size: 750 x 70 x 15 mm Carton No: 1/1	

GALICIA COFFEE TABLE ASSEMBLY INSTRUCTIONS

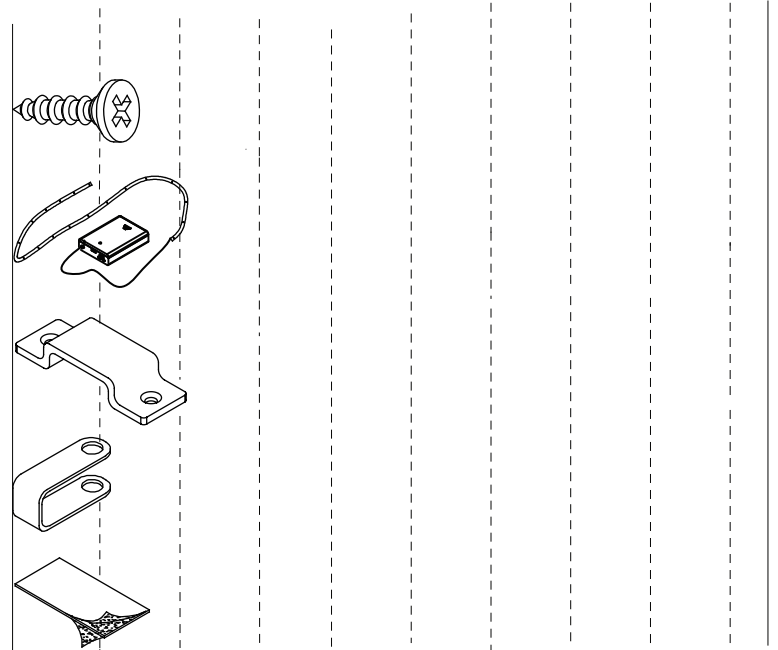
Fittings (to scale)

Code	Item	Quantity
A	Cam Bolt (38mm overall)	16
B	Cam Lock	16
C	Dowel (8x30mm)	12
E	Screw for Fitting Hinge (3.5x12mm)	32



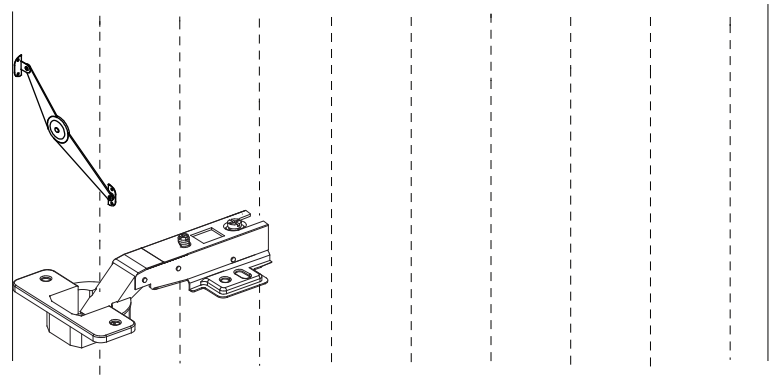
Fittings packed in each LED pack.

Code	Item	Quantity
G	Screw for LED & Cable Clips	6
H	Battery Box and Blue LED Strip (50 cm)	1
J	LED Clip	2
K	Cable Clip	2
T	Sticky Pad	1



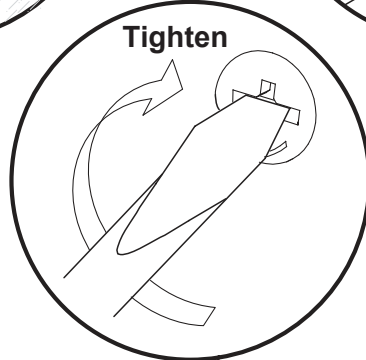
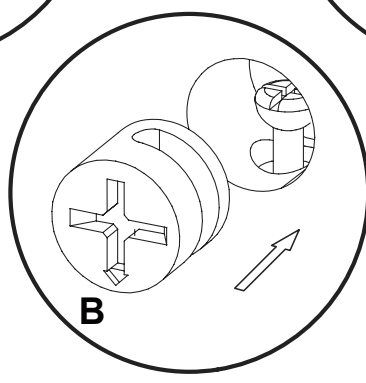
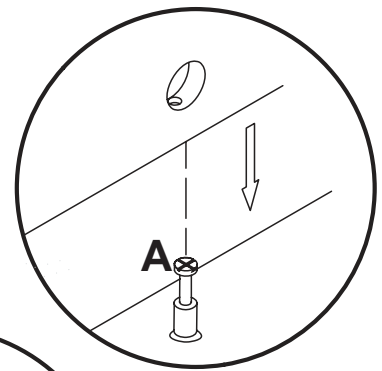
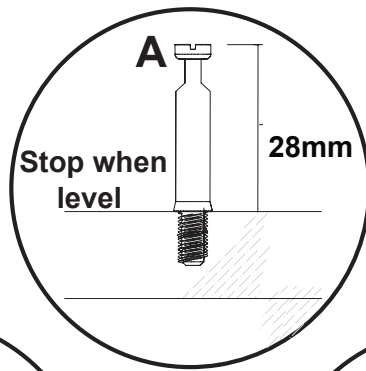
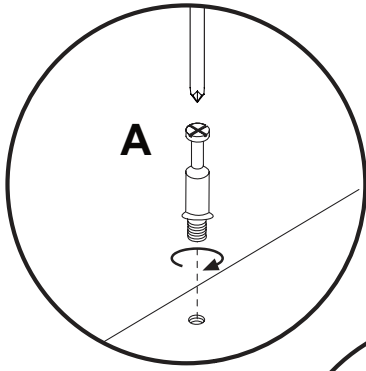
Fittings (not to scale)

Code	Item	Quantity
N	Flap Stay - RH	2
Q	Flap Hinge & Hinge Plate Set 35	4



GALICIA COFFEE TABLE ASSEMBLY INSTRUCTIONS

General Hints & Tips

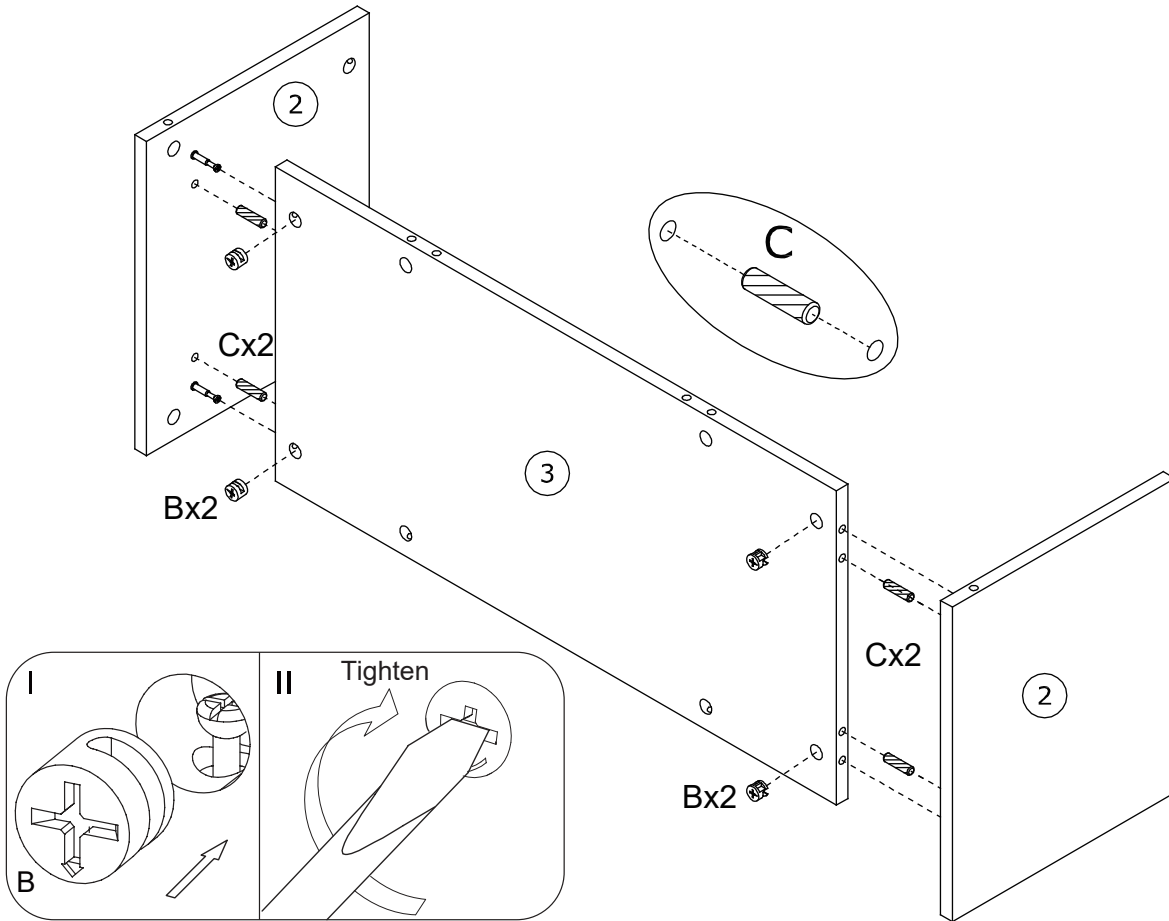


STEP 1

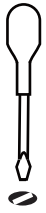
	<p>For this step: Tools required</p> <p>Fittings required</p> <p>A x16</p>
--	--

GALICIA COFFEE TABLE ASSEMBLY INSTRUCTIONS

STEP 2



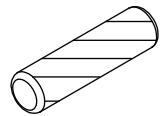
For this step:
Tools required



Fittings required

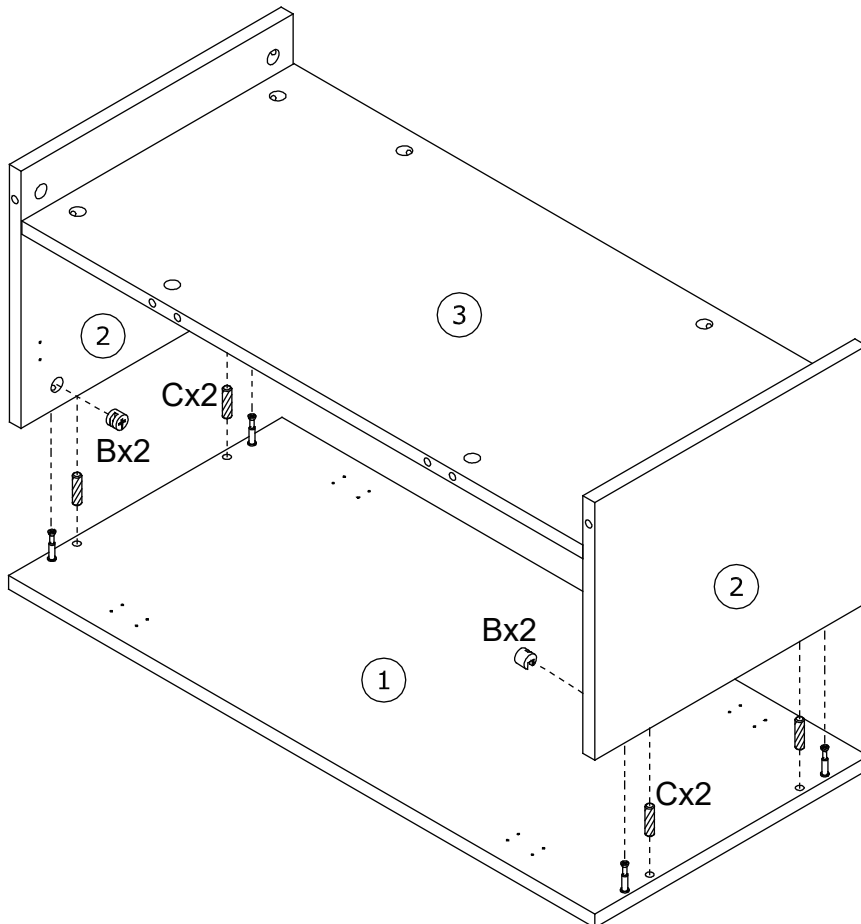


B x4



C x4

STEP 3



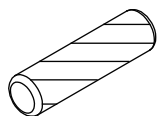
For this step:
Tools required



Fittings required



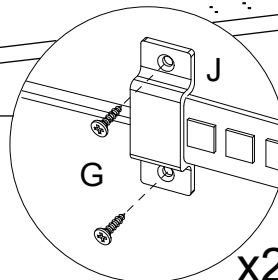
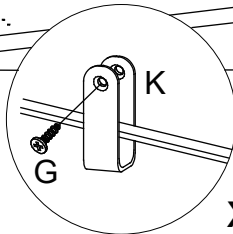
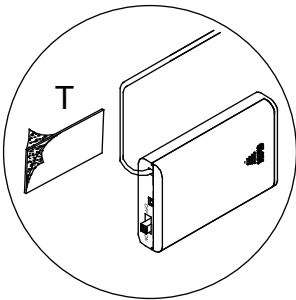
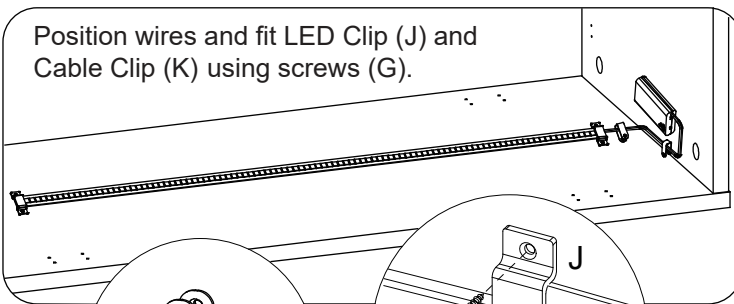
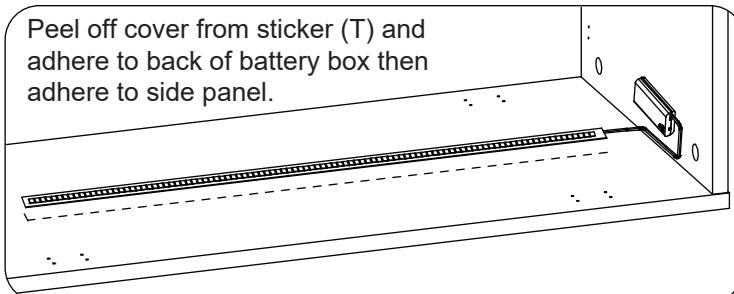
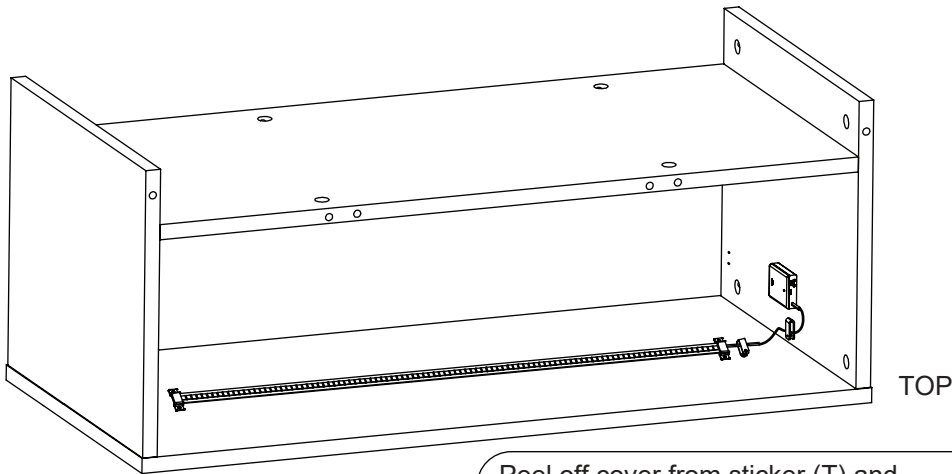
B x4



C x4

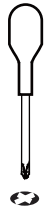
GALICIA COFFEE TABLE ASSEMBLY INSTRUCTIONS

STEP 4

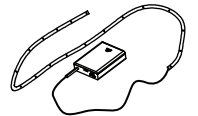


For this step:

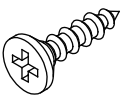
Tools required



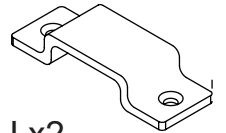
Fittings required



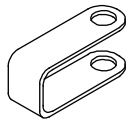
H x1



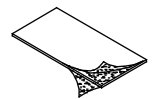
G x6



J x2

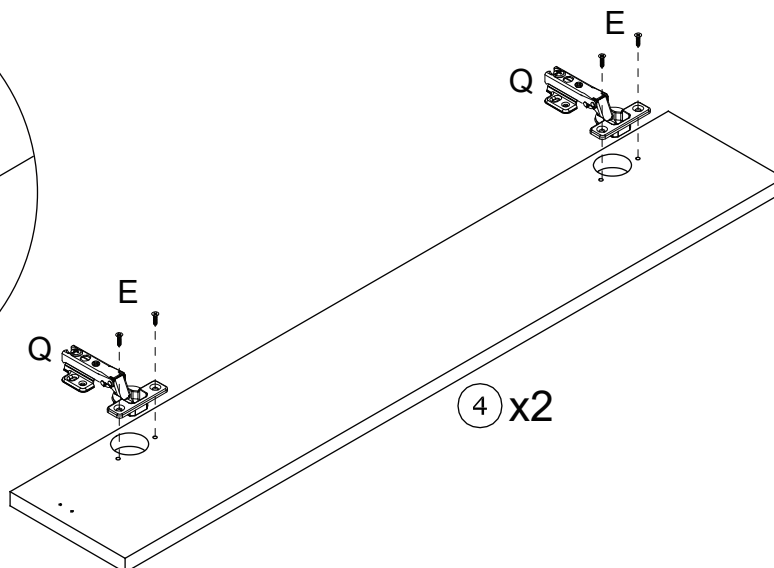
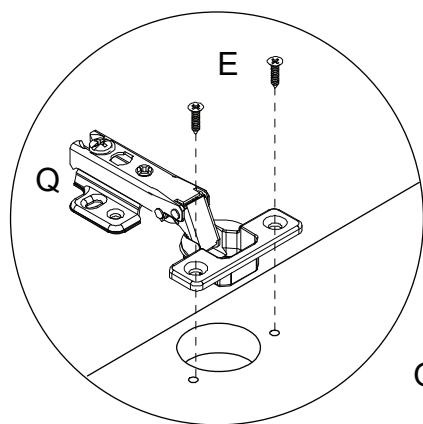


K x2



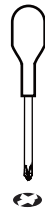
T x1

STEP 5

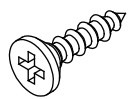


For this step:

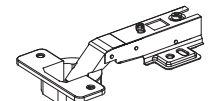
Tools required



Fittings required



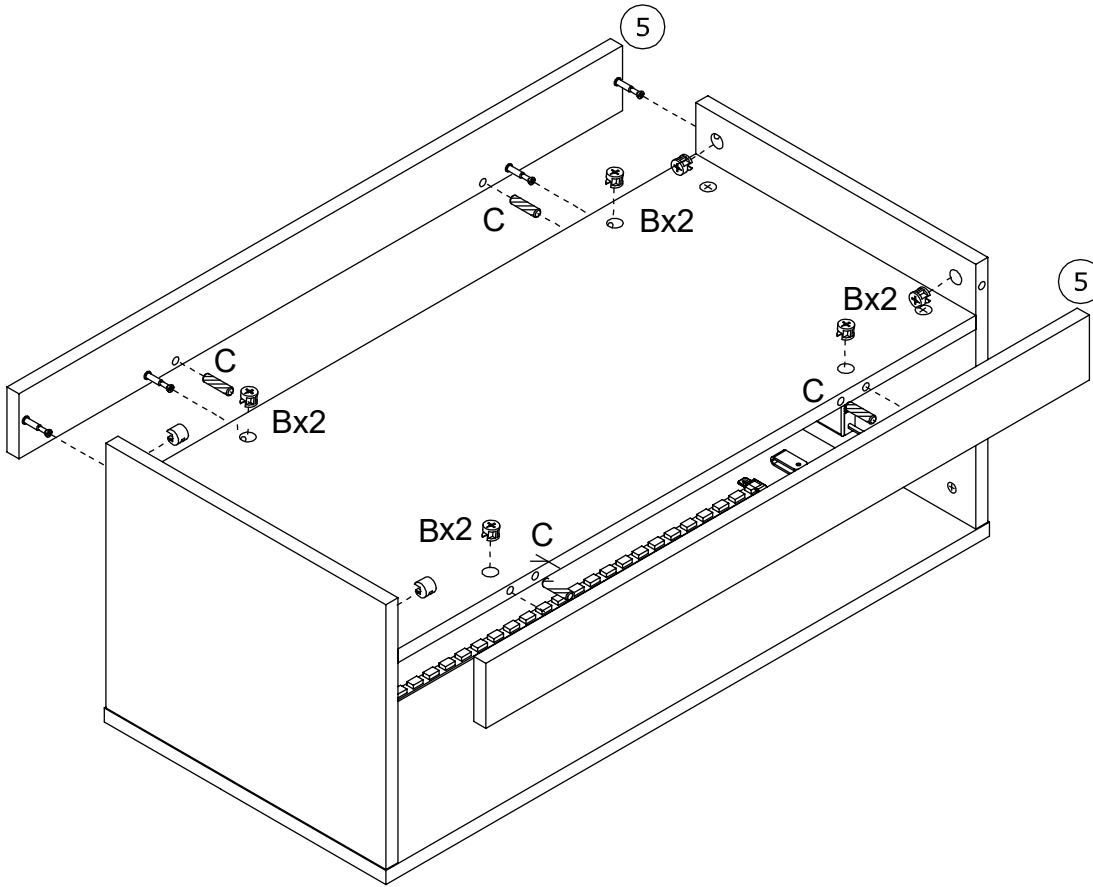
E x8



Q x4

GALICIA COFFEE TABLE ASSEMBLY INSTRUCTIONS

STEP 6



For this step:

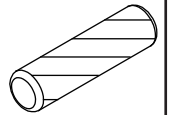
Tools required



Fittings required

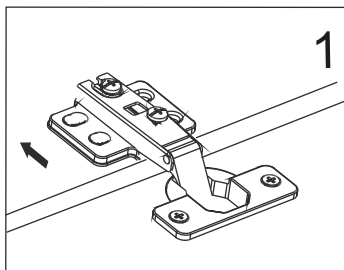


B x8

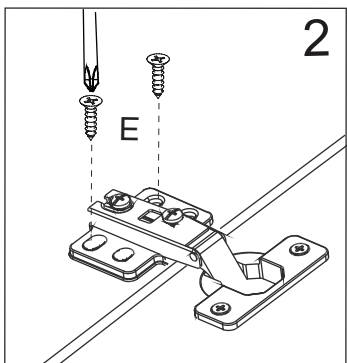


C x4

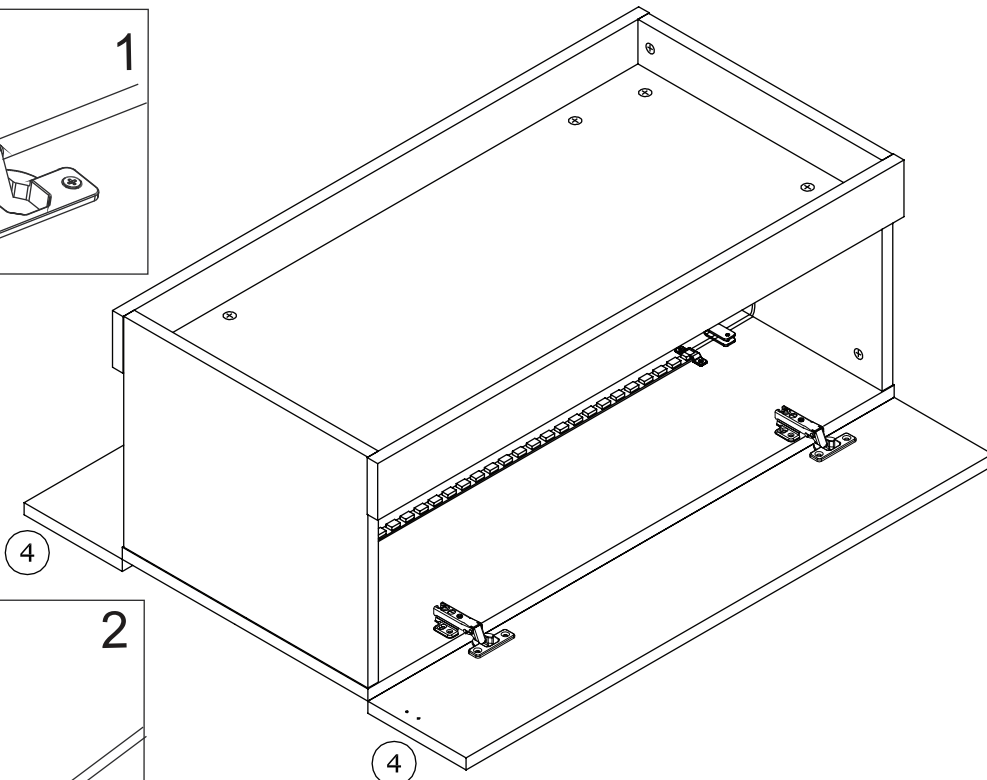
STEP 7



1

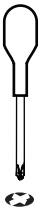


2

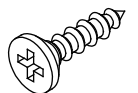


For this step:

Tools required



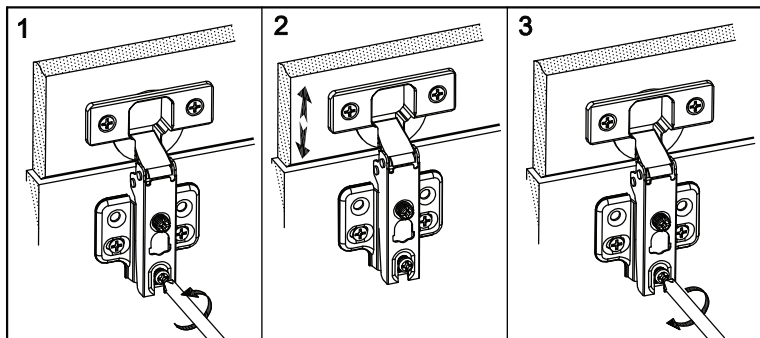
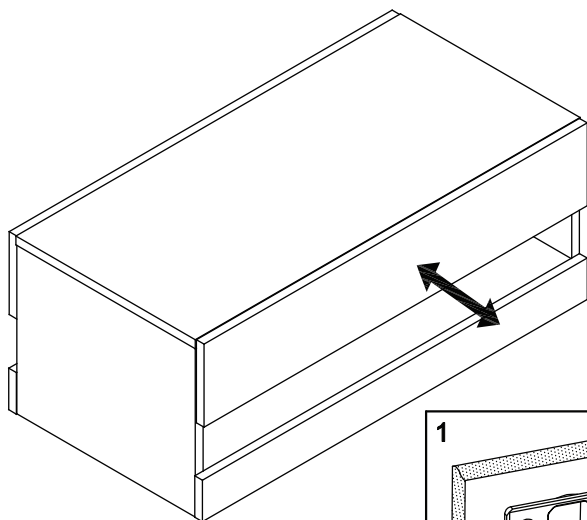
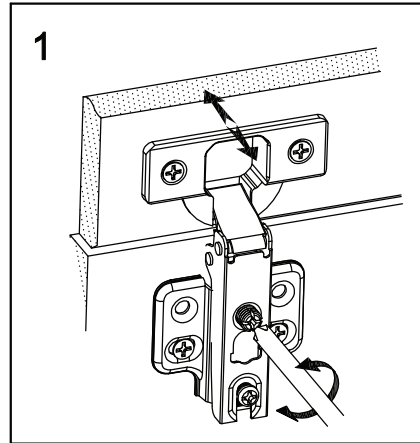
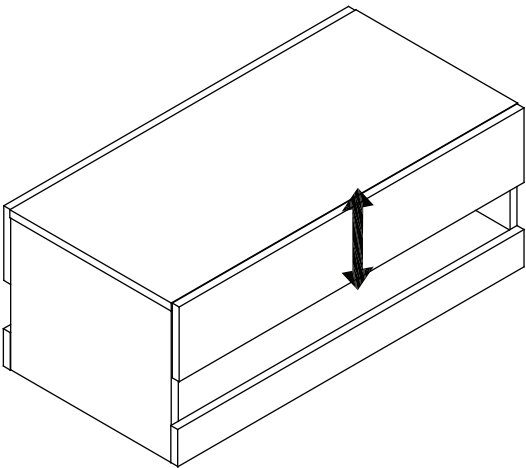
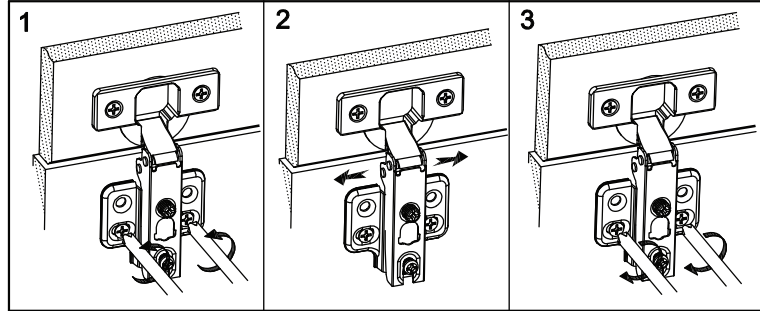
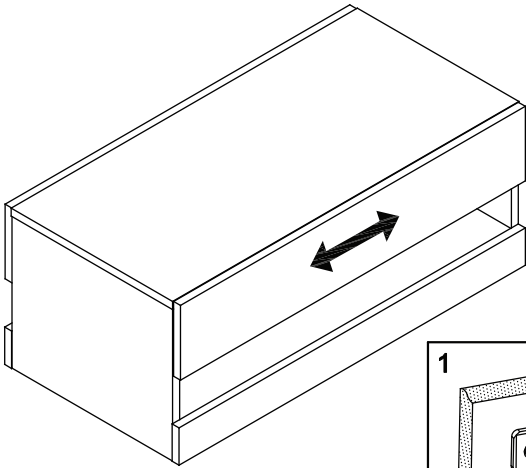
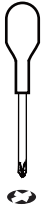
Fittings required



E x8

STEP 8

For this step:
Tools required

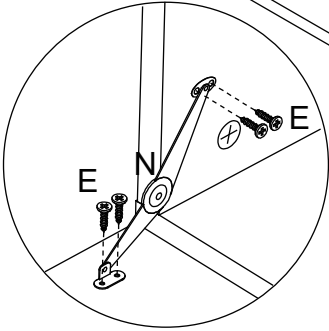
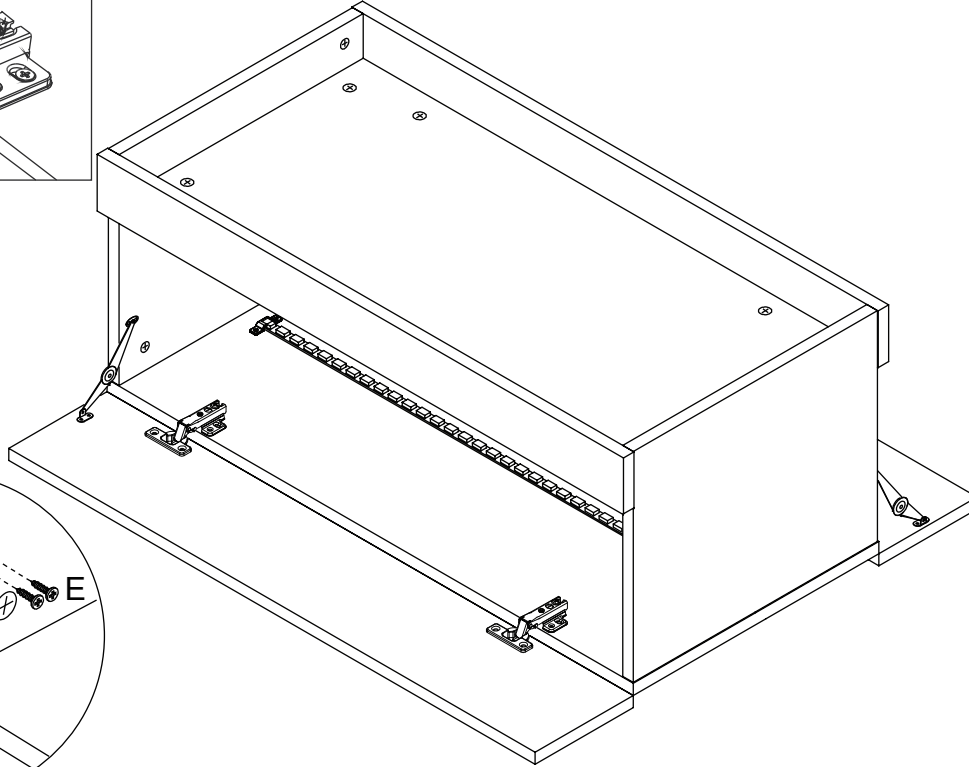
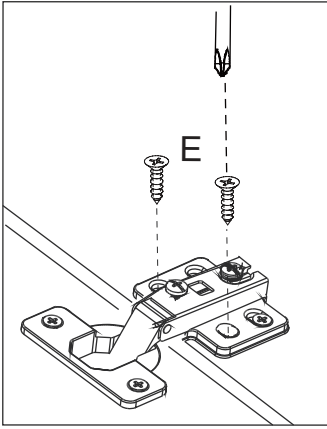


Fittings required

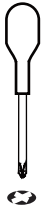
GALICIA COFFEE TABLE ASSEMBLY INSTRUCTIONS

STEP 9

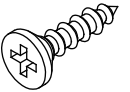
Once flaps have been adjusted, fix in two screws (E) into spare holes to secure hinge mounting plates in their final position.



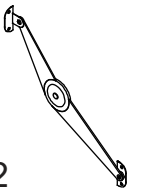
For this step:
Tools required



Fittings required



E x16



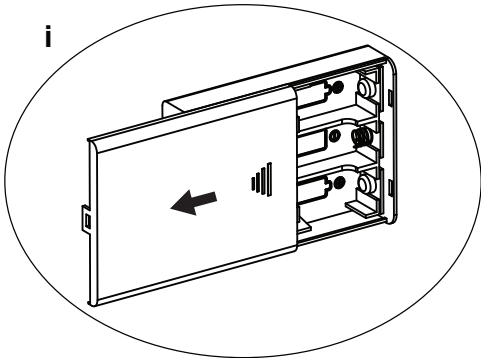
N x2

STEP 10

CHANGING THE BATTERIES

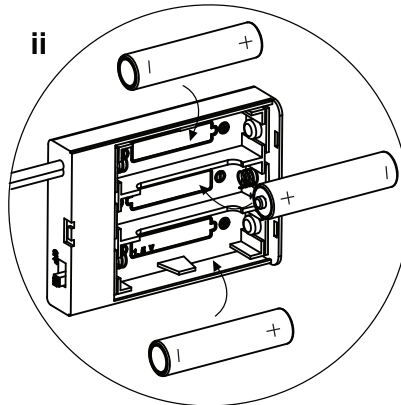
SLIDE OFF THE LID

i



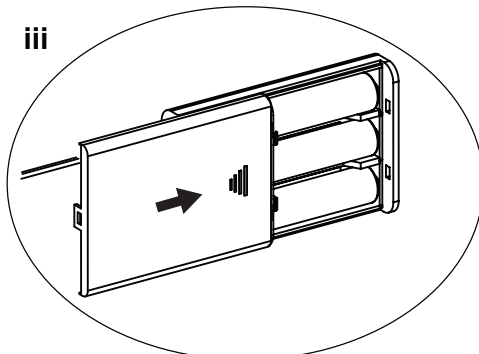
CHANGE BATTERIES

ii

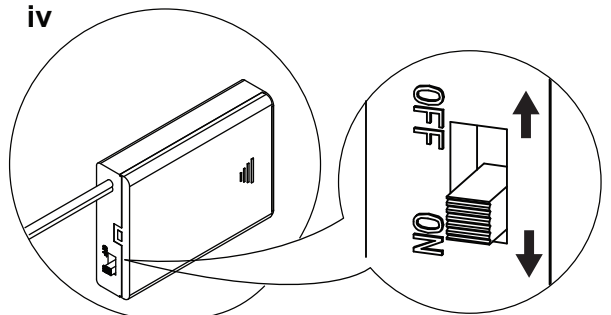


SLIDE LID BACK ON

iii



iv



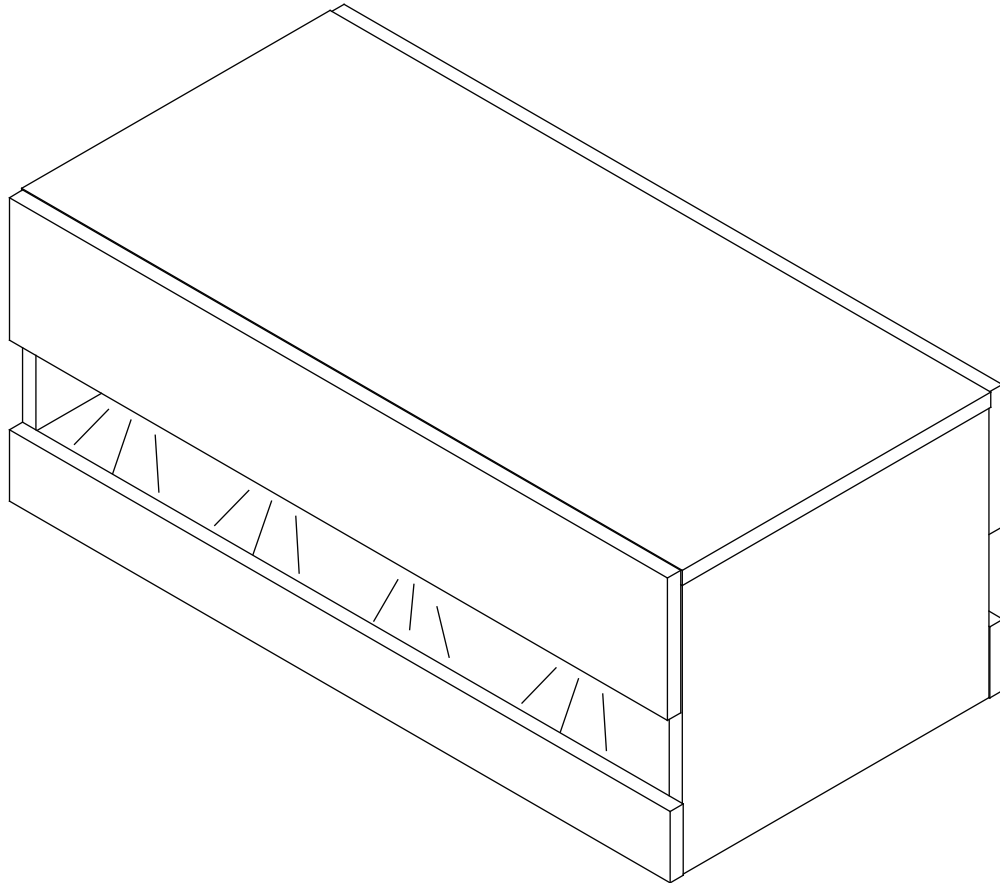
USE GOOD QUALITY AA BATTERIES. FOR BEST RESULTS USE RE-CHARGEABLES.

Assembly Completed

Your Galicia Coffee Table is now completely assembled.

Periodically check to ensure that the components are in their proper position, free from damage.

Also, make sure the connectors are tight and secure.



Keep instructions for future reference

