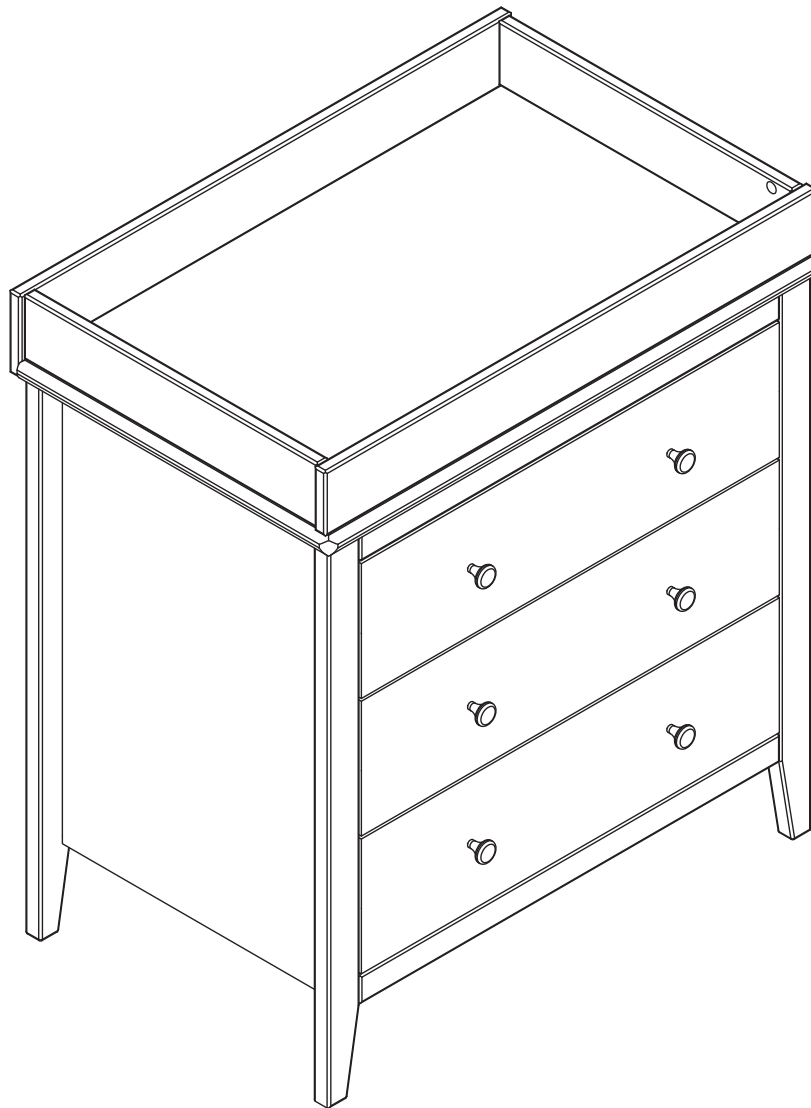




# CANTERBURY CHEST

care & instruction manual



## **IMPORTANT**

RETAIN THESE INSTRUCTIONS FOR FUTURE REFERENCE

## Chest of Drawers Safety

### WARNING!

#### **IN ORDER TO PREVENT OVERTURNING THIS PRODUCT MUST BE USED WITH THE WALL ATTACHMENT DEVICE PROVIDED**

Serious or fatal crushing injuries can occur from furniture tipping over. To help prevent this item of furniture tipping over:

- Use the wall attachment device provided.
- Do not let children climb or hang on drawers.
- Never open more than one drawer at a time.
- Place the heaviest items in the lower drawers or shelves.
- Do not place TVs, or other heavy objects on top of these drawers.
- Assembly to be carried out by a competent adult only.
- During assembly children should be kept away from the product due to possible risk of injury.
- Do not use this item if any components are missing or damaged .
- Regularly check all fastenings to ensure that they properly tightened .

An attachment device is provided with the drawers, however you will need to source suitable fixings for your wall type. If in doubt, please consult a qualified tradesperson.

Always ensure the wall to be drilled is free from hidden electrical wires, water and gas pipes.

## Changer Safety

### WARNING!

- The changer top is suitable for babies up to 11kg, approx.12months.
- Do not leave the child unattended.



- This changer top can be used in conjunction with the Cuggl Wedge Changing Mat, catalogue number 9162712.
- Be aware of the risk of open fires and other sources of strong heat, such as electric bar fires, gas fires etc. in the near vicinity of the changing unit.
- All assembly fittings shall be correctly tightened and checked regularly.
- Do not to use the changing unit when any part is broken, torn, or missing.
- Any additional or replacement parts shall only be obtained from Sainsbury's Argos.

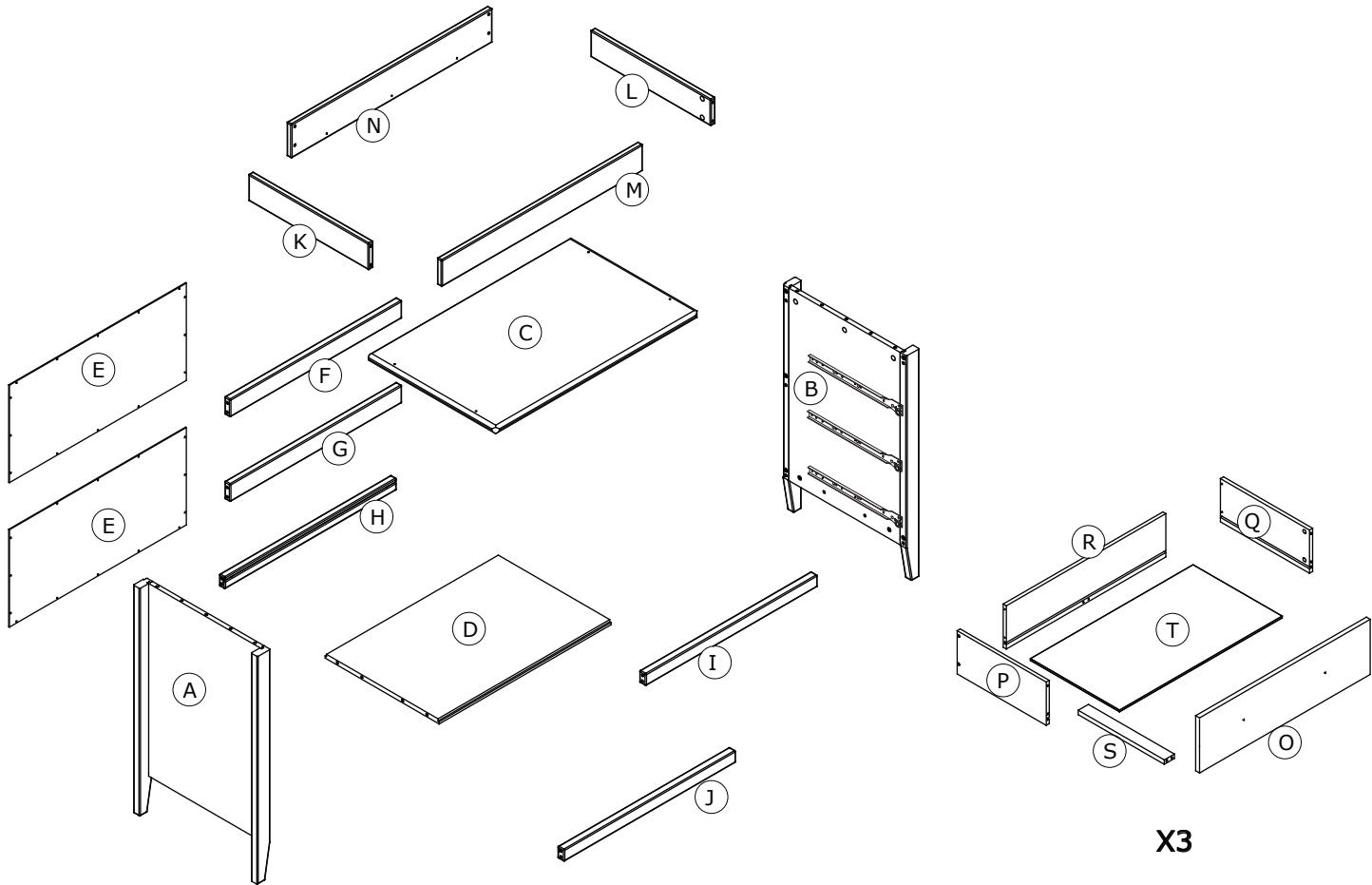
This product complies with BS EN 12221-1:2008+A1:2013  
FIRA/FRQG C001:2016; FIRA/FRQG C004:2016

## CARE & MAINTENANCE

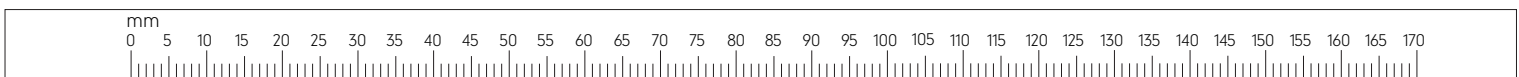
- Your drawers can be cleaned by wiping with a damp cloth and drying with a soft clean cloth.
- Do not use abrasives, bleach, alcohol or ammonia based household polishes.
- Take care when handling or moving. As careless handling can damage wooden furniture.
- Wood is a natural material, the colour will darken with age.

### Important!

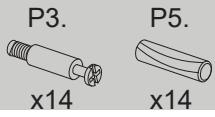
Assemble on a soft level surface to avoid damaging the unit or your floor  
 Parts of the assembly will be easier with 2 people



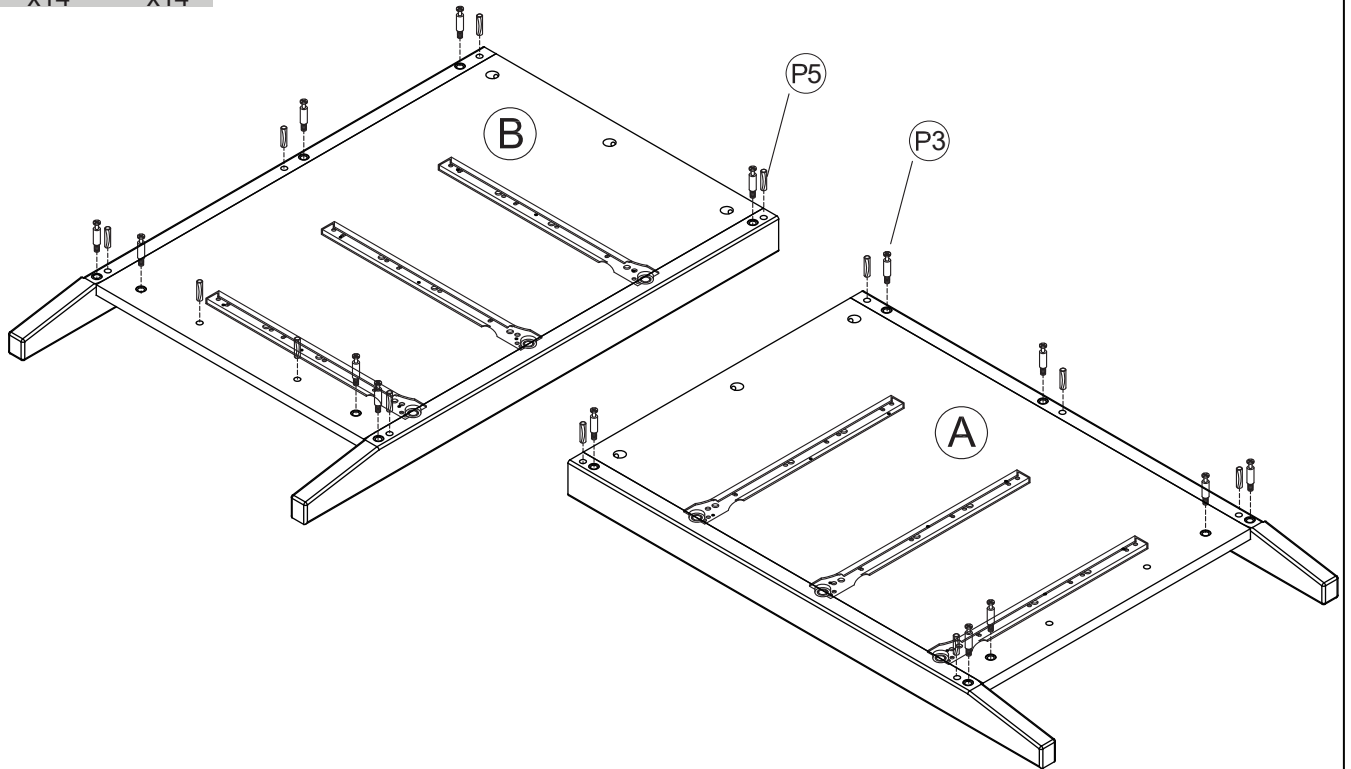
<b>P1</b>  x6	<b>P2</b>  x6 P2=20mm	<b>P3</b>  x24	<b>P4</b>  x24	<b>P5</b>  x18	<b>P6</b>  x15
<b>P7</b>  x15	<b>P8</b>  x18 P8=25mm	<b>P9</b>  x28 P9=16mm	<b>P10</b>  x8 P10=30mm	<b>P11</b>  x3 P11=25mm	<b>P12</b>  x3
<b>P13</b>  x2	<b>P14</b>  x1	tool required  +			



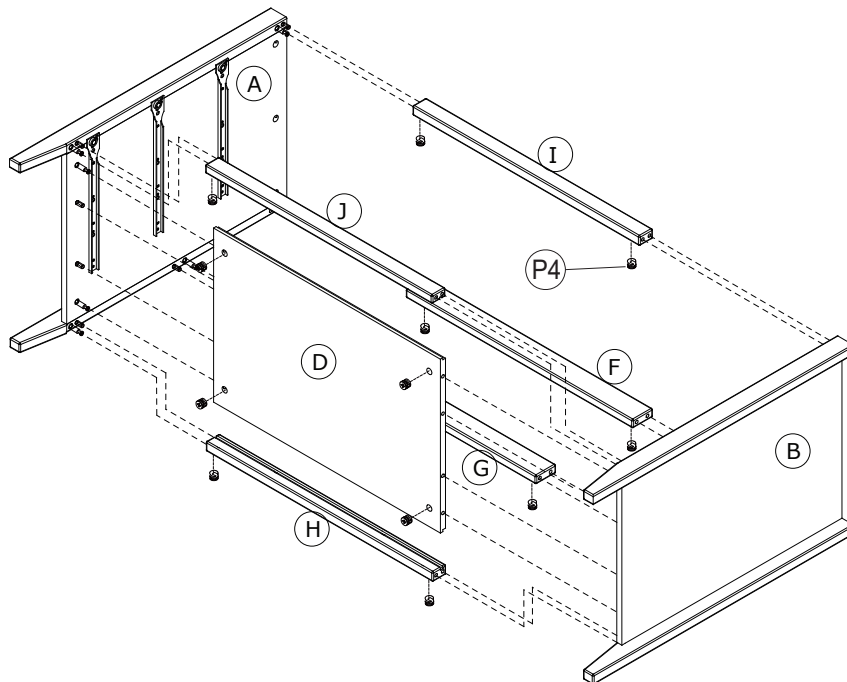
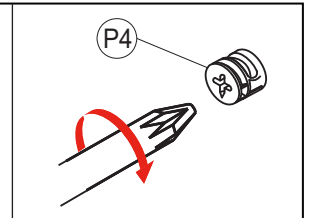
1



To build the chest

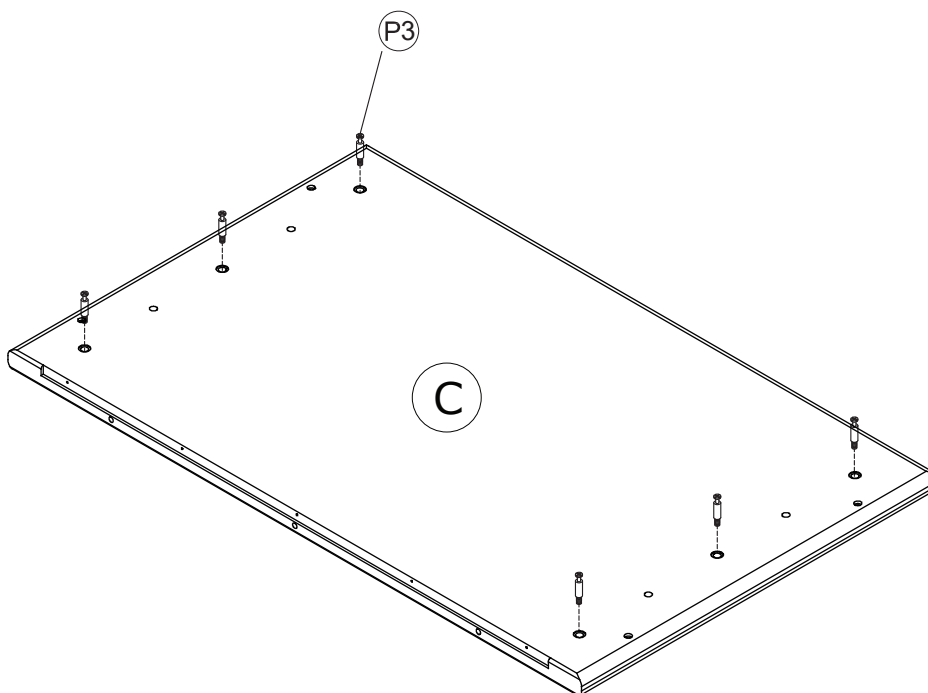


2



3

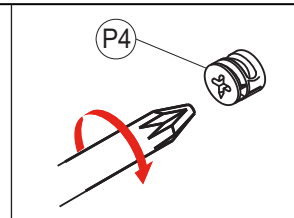
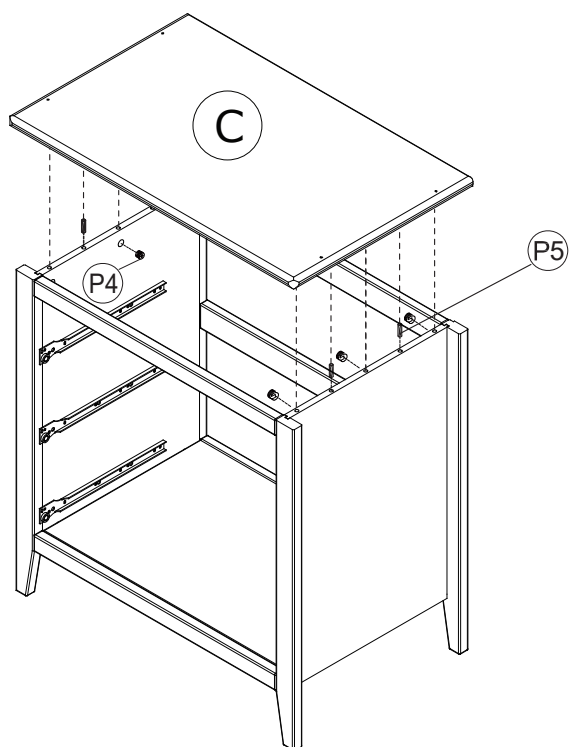
P3.  
x6



4

P4.  
x6

P5.  
x4

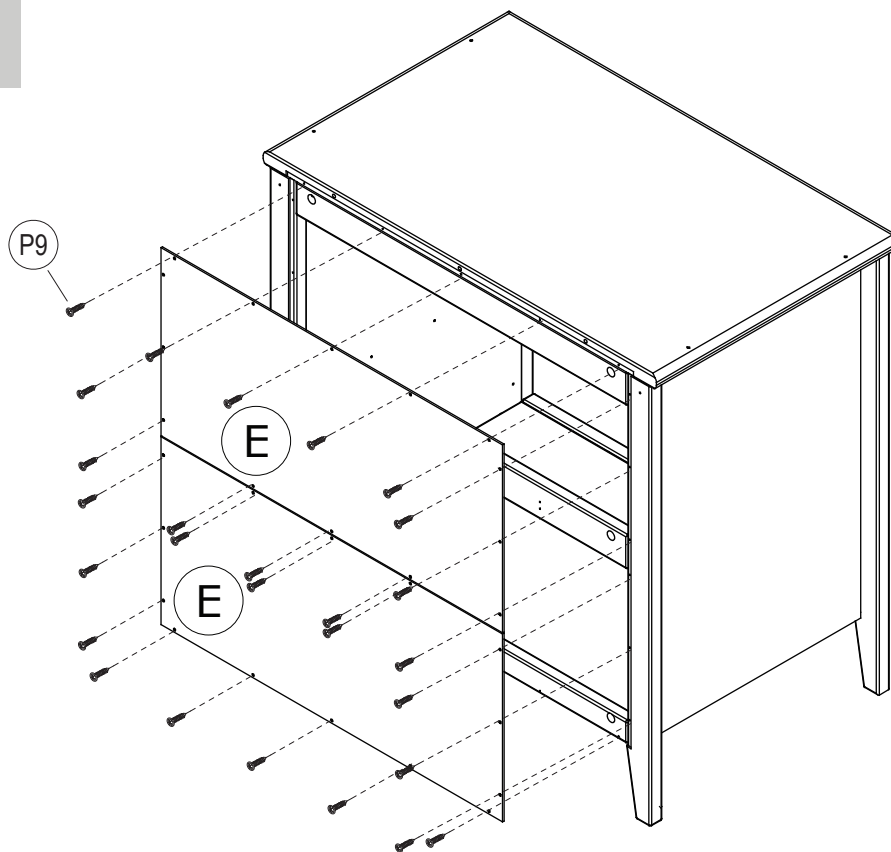


5

P9.



x28



6

P6.



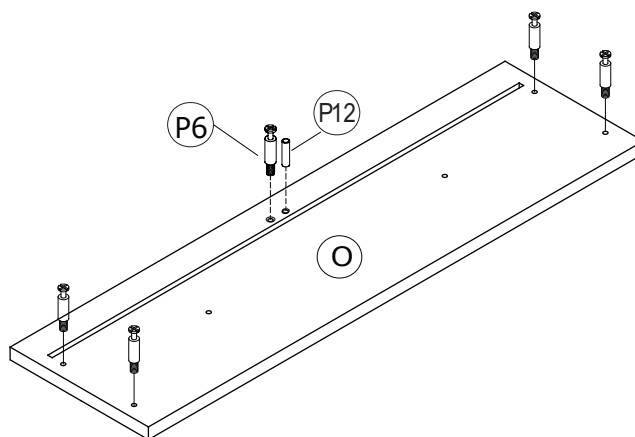
x15

P12.



x3

To build the drawers

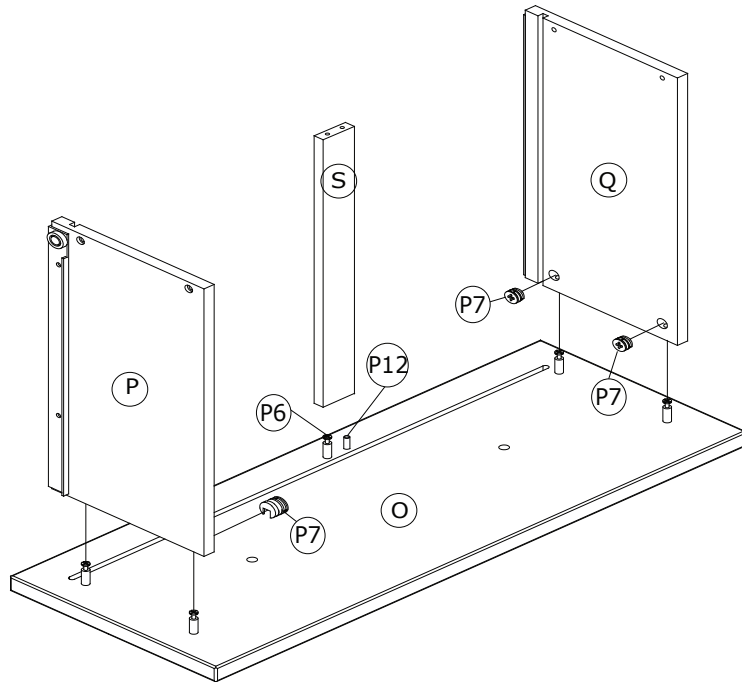


7

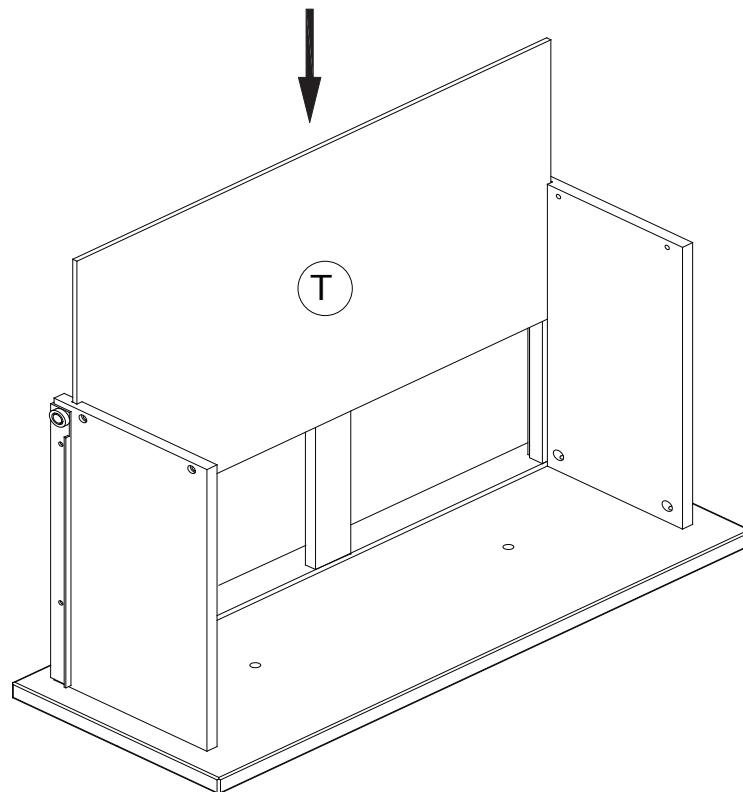
P7.






x15

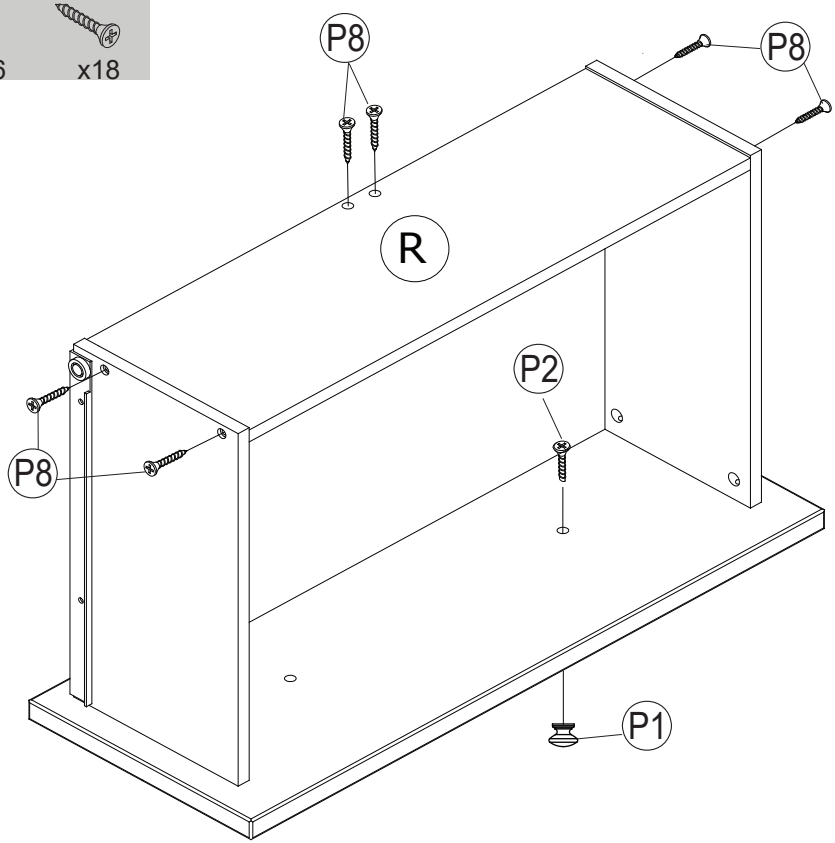


8

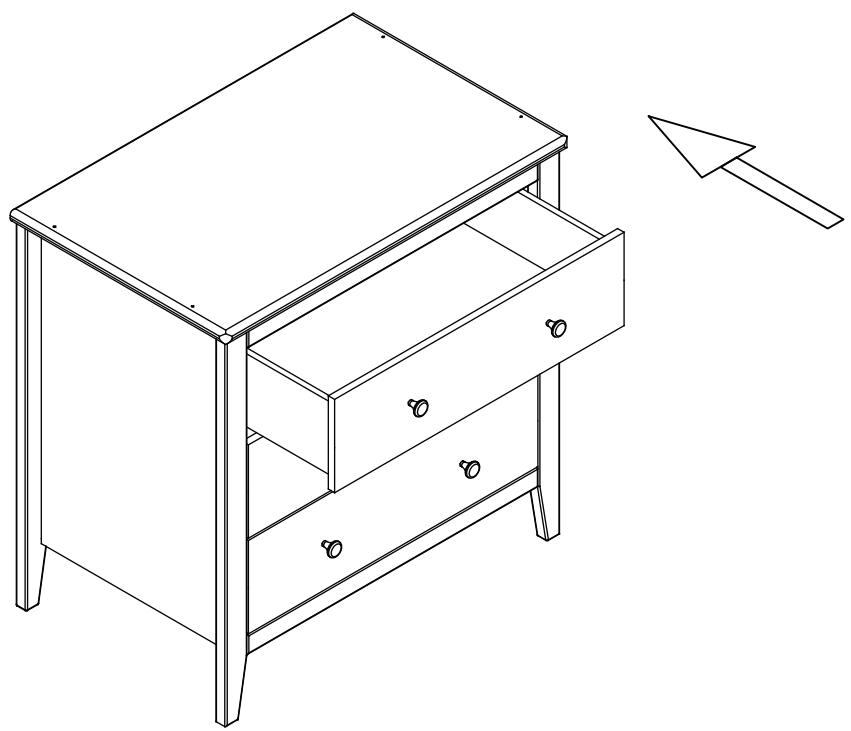


9

- |   |   |   |
|---|---|---|
| P1.   | P2.   | P8.   |
|  |  |  |
| x6  | x6  | x18   |

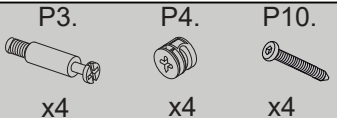


10

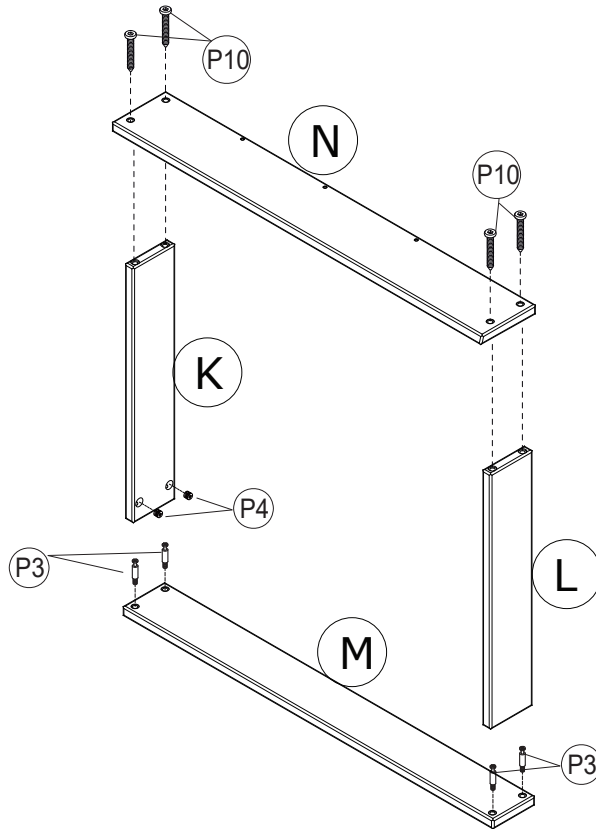




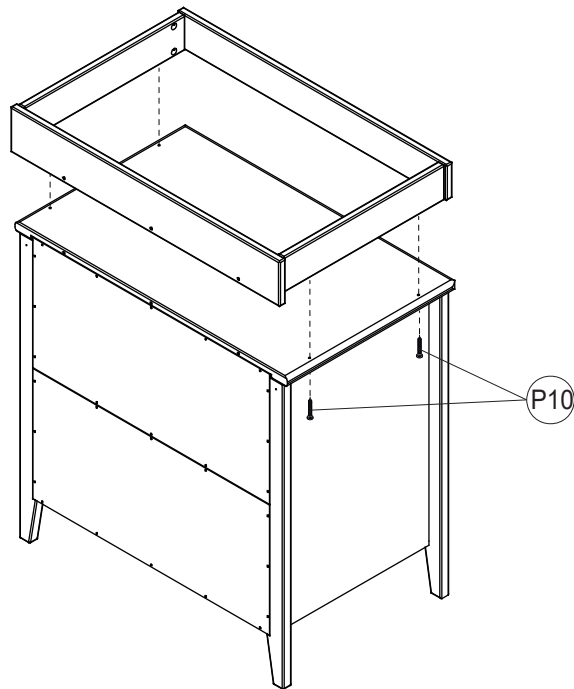
11



To build the changing unit



12

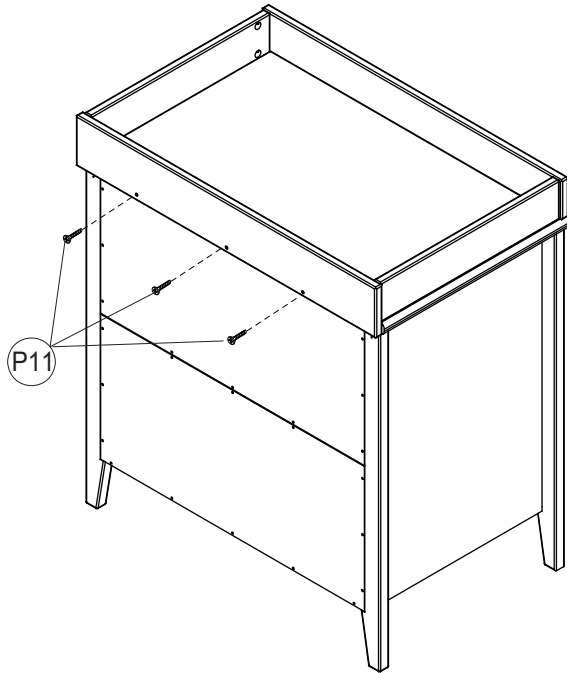


13

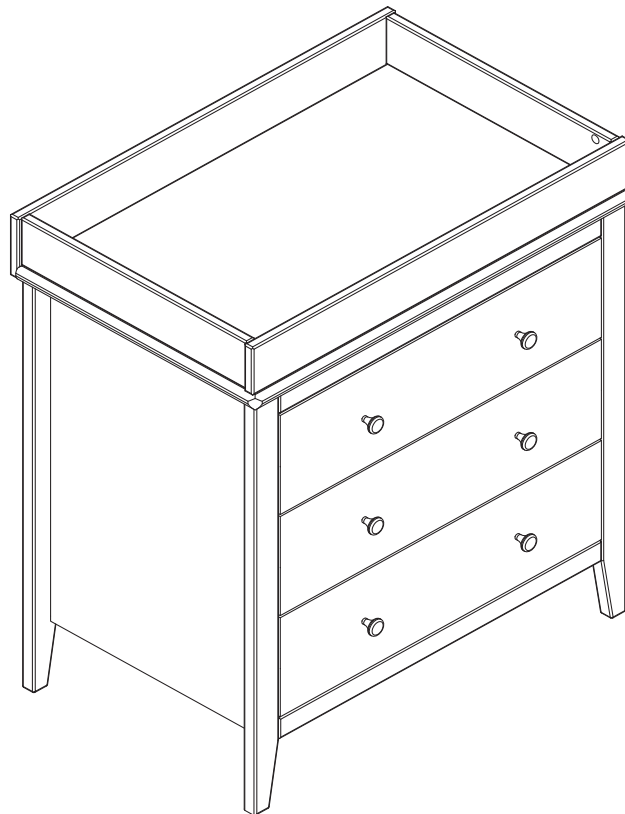
P11.



x3



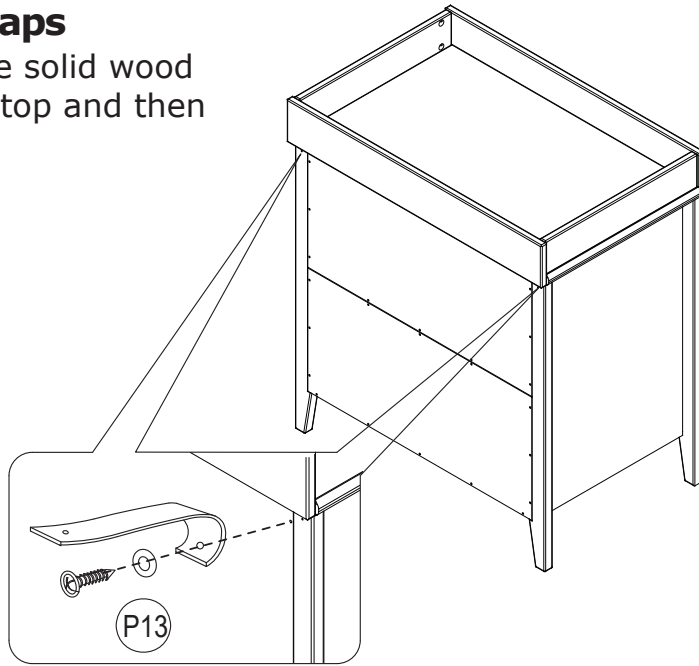
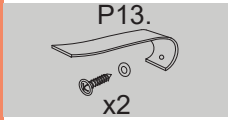
14



15

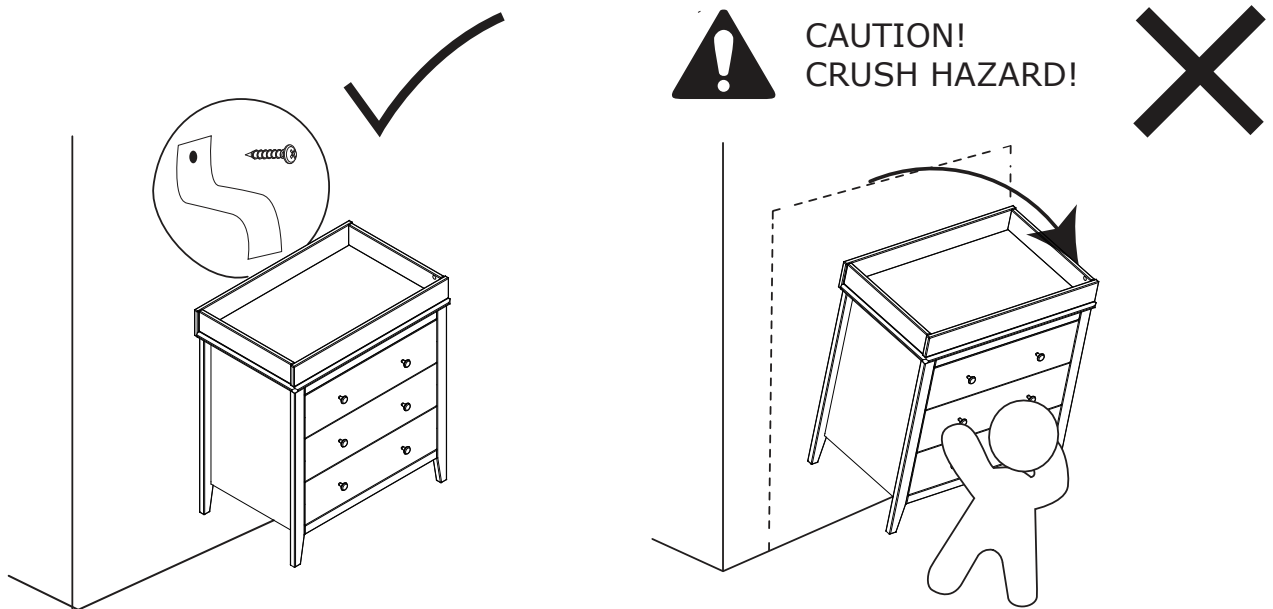
**Attach the wall straps**

Attach the strap to the solid wood part on the wardrobe top and then to the wall.



Wall mounting & fixing kit NOT included.  
Make sure that the screws and wall plugs being used are suitable for the type of wall.

16



To prevent tipping, use wall safety pack to attach back of unit to the wall.

### Technical specification

Product title	CANTERBURY CHEST
Argos Cat. No.	2913212
Supplier Ref. No.	VIMOON02
Age suitability of changing unit	Suitable for the baby from birth up to 12 months or 11kg
Designed to comply with	FIRA/FRQG C001:2016
	FIRA/FRQG C004:2016
Product weight	30kg
Dimensions(H*W*D)	W800 x D518 x H870mm

If you encounter any problems with this product please call our customer care team on 0345 640 2020

Produced in China for Argos Limited,  
489-499 Avebury Boulevard  
Central Milton Keynes  
MK9 2NW. UK.