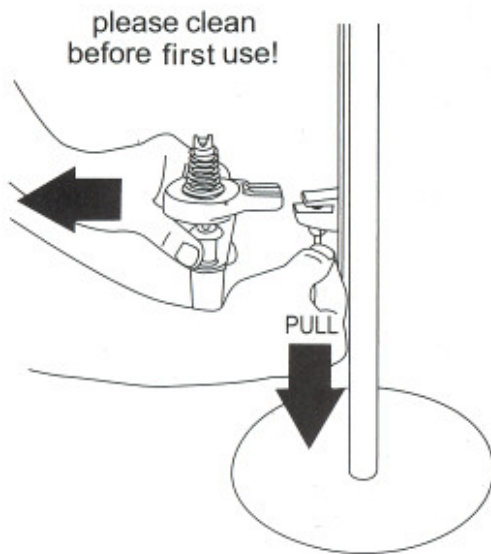
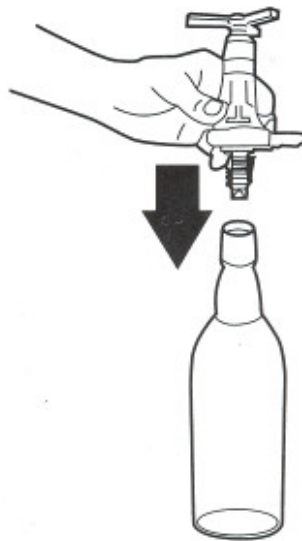


Instructions

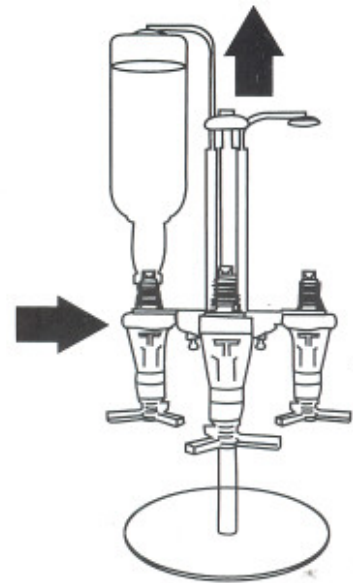
1 Remove Stopper



2 Insert Firmly



3 Return Stopper



Cleaning

For best performance of your COCKTAIL CAROUSEL, you may wish to clean the unit when changing bottles or when dry or thickened liquids slow down the dispensing quality

1 Twist plastic locking ring clockwise to open.

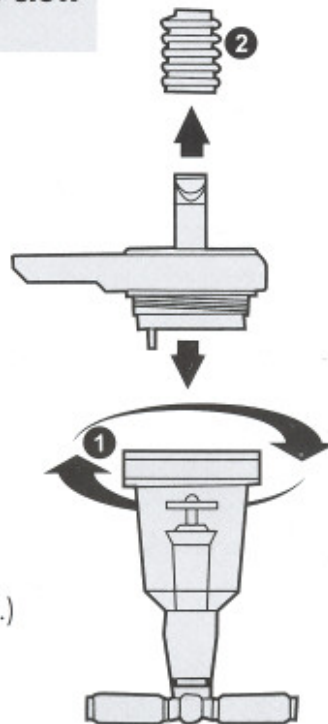
(When replacing, be sure that the ring is properly threaded to ensure the water-tight seal.

DO NOT over tighten. This could break the ring.)

2 Also remove the rubber stopper when cleaning.

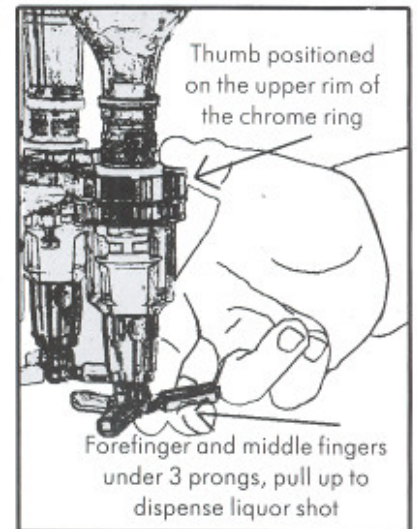
(When replacing, the stopper, make sure it is securely and properly replaced to ensure the water-tight seal.)

NOTE: This unit is NOT dishwasher safe. DO NOT clean any parts in the dishwasher. Use only WARM water when cleaning.



Dispensing

4



**Dispenses
1 1/2 Ounce Shots!**
**The
COCKTAIL CAROUSEL**