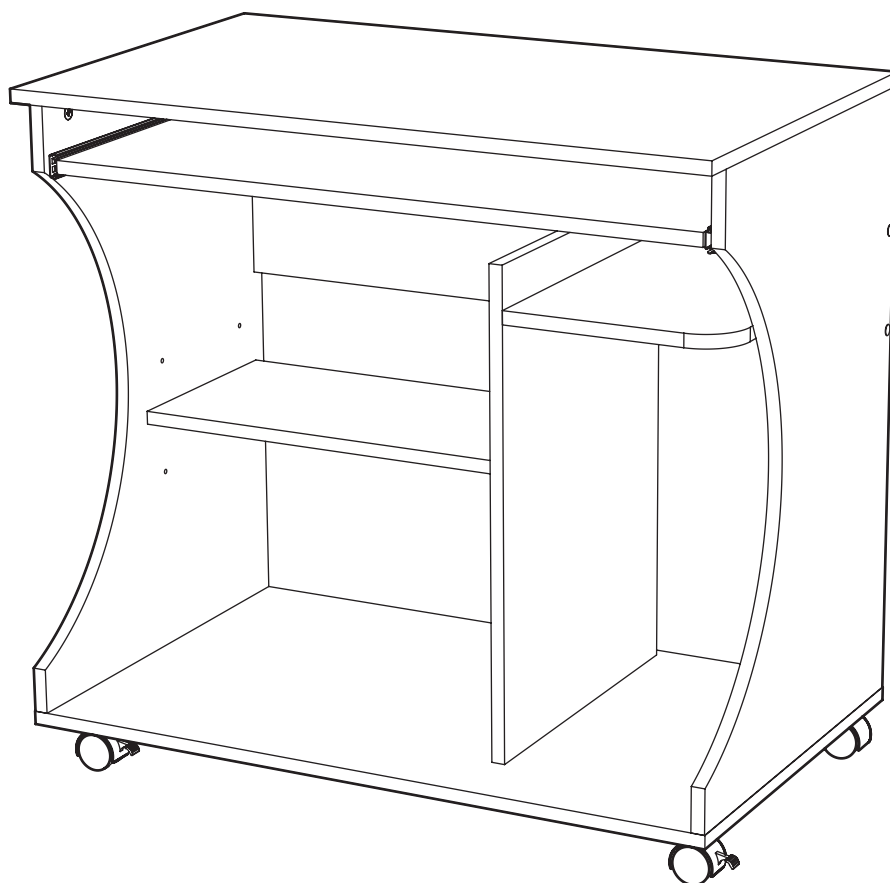


# Curved PC Trolley

Assembly Instructions - Please keep for future reference

617/9447

617/9674



## Dimensions

Width - 80cm

Depth - 48cm

Height - 76cm

**Important - Please read these instructions fully before starting assembly**

If you need help or have damaged or missing parts, call the **Customer Helpline: 08456 400800**



# Safety and care advice

**Important** - Please read these instructions fully before starting assembly

- Check you have all the components and tools listed on pages 2 and 3.
- Remove all fittings from the plastic bags and separate them into their groups.
- Keep children and animals away from the work area, small parts could choke if swallowed.
- Make sure you have enough space to layout the parts before starting.

- Do not stand on the panels, this could cause damage.
- Assemble the unit as close to its final position (in the same room) as possible.
- Assemble on a soft level surface to avoid damaging the unit or your floor.
- Parts of the assembly will be easier with 2 people.



- We do not recommend the use of power drill/ drivers **for inserting screws**, as this could damage

the unit. Only use hand screwdrivers.

- Dispose of all packaging carefully and responsibly.
- **Warning:** The unit weighs approximately 22.1kgs. **Please lift with care.**

- Only clean using a damp cloth and mild detergent, do not use bleach or abrasive cleaners.

- From time to time check that there are no loose screws on this unit.

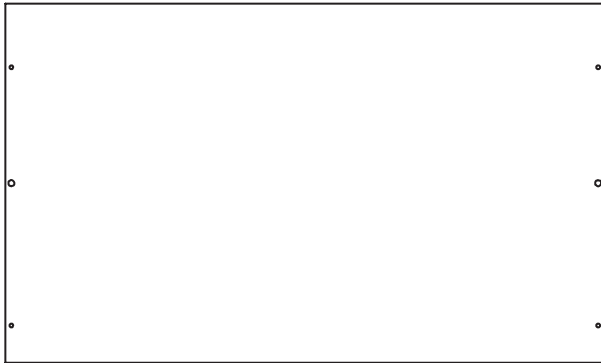
- This product should not be discarded with household waste. Take to your local authority waste disposal centre.

**Note:** If required the next page can be cut out and used as a reference throughout the assembly. Keep this page with these instructions for future reference.

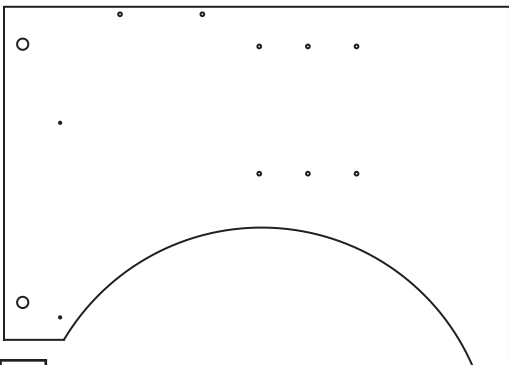
# Components - Panels

If you have damaged or missing components, call the **Customer Helpline:08456 400800**

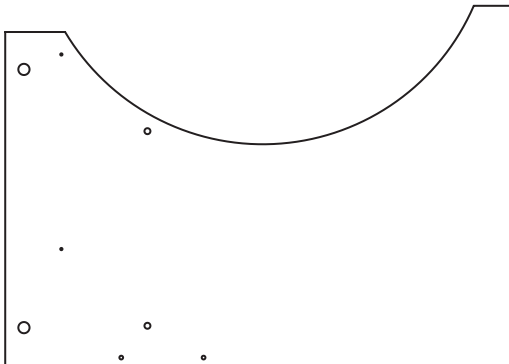
Please check you have all the panels listed below



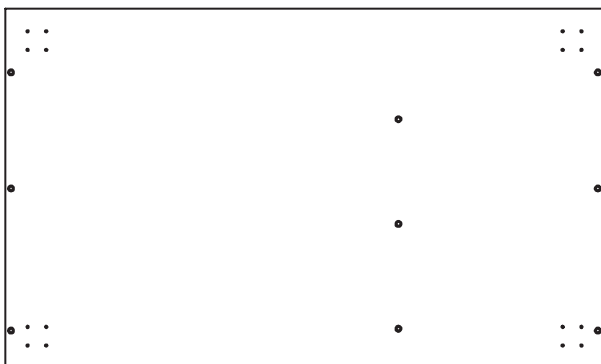
**1** Top (80 x 48cm)



**2** Left side (67.5 x 47.8cm)



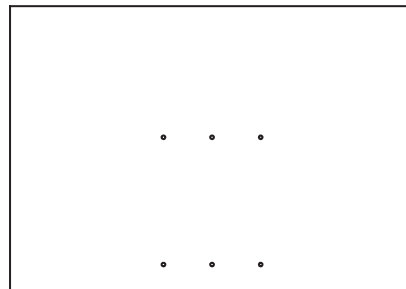
**3** Right side (67.5 x 47.8cm)



**4** Bottom (80 x 48cm)



**5** Keyboard (74.6 x 30cm)



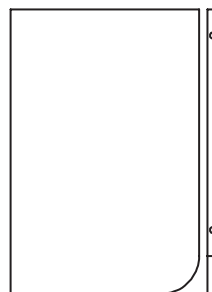
**6** Centre support (48 x 36.8cm)



**7** Back support (76.8 x 16.7cm)



**8** Shelf (42.5 x 24cm)




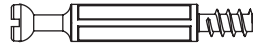



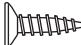
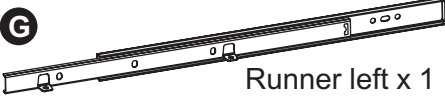
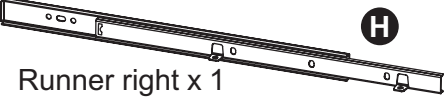



**9** Cross shelf (36 x 32.8cm)



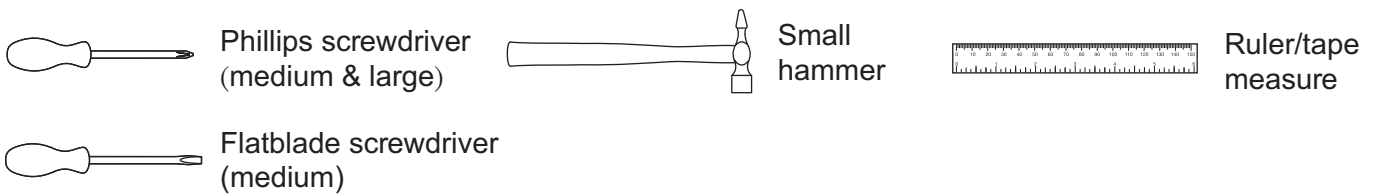
# Components - Fittings

Please check you have all the fittings listed below

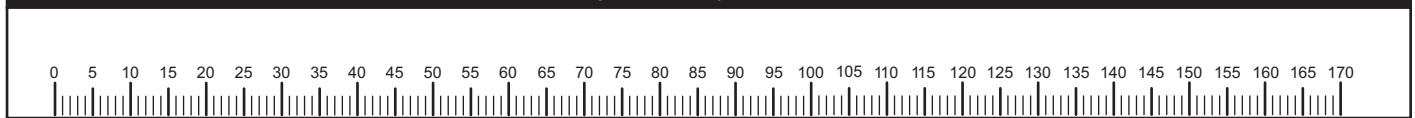
**Note:** The quantities below are the correct amount to complete the assembly. In some cases more fittings may be supplied than are required.

<b>A</b>  Locking nut x 4	<b>B</b>  Locking pin x 4	<b>C</b>  Dowel x 6
<b>D</b>  45mm Screw x 17	<b>E</b>  Shelf support x 4	<b>F</b>  15mm Screw x 24
<b>G</b>  Runner left x 1	<b>H</b>  Runner right x 1	<b>I</b>  Castor x 2
<b>J</b>  Front castor x 2	<b>K</b>  Cover cap x 4	

## Tools required



## Ruler - Use this ruler to help correctly identify the screws



# Assembly Instructions

## Step 1

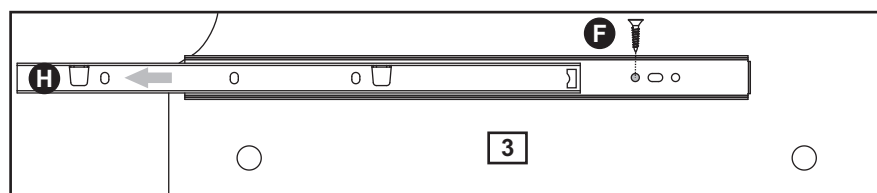
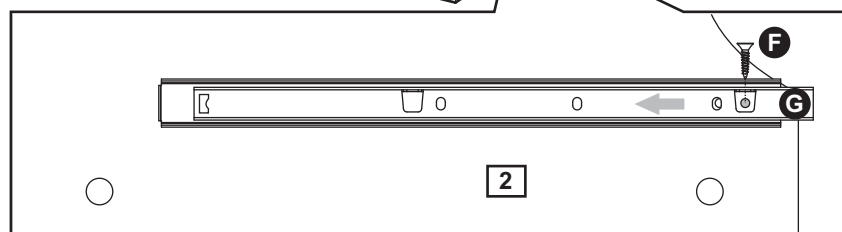
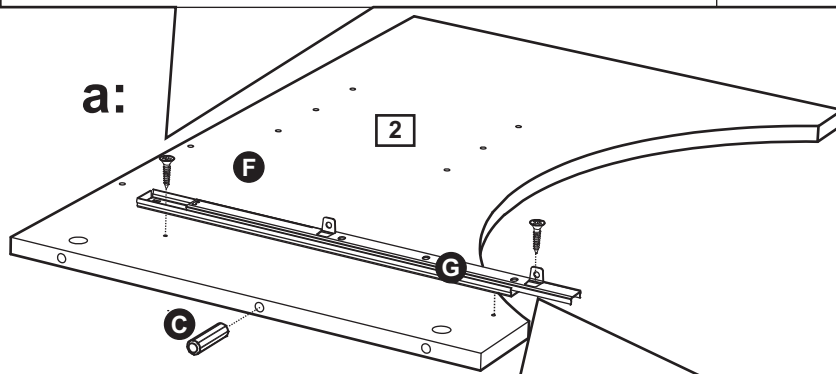
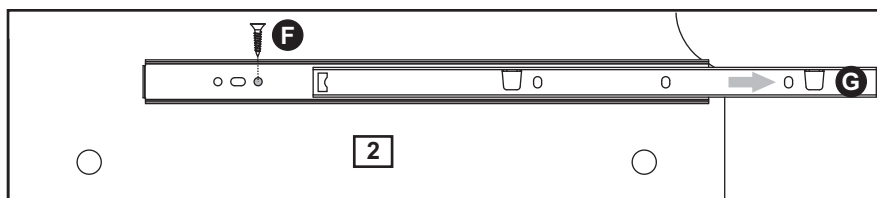
### Fitting the runners

**Note:** It would be useful to ask someone to help you at this stage.

**a:** Use Screws **F** to fix the Runner left **G**, onto Left side **2**.

Slide top of the runner to access the first hole.

Insert Dowel **C** into Left side **2**.

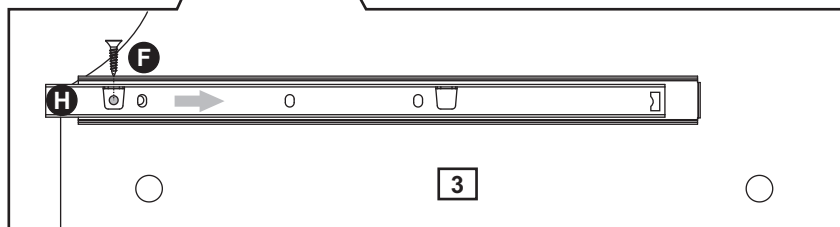
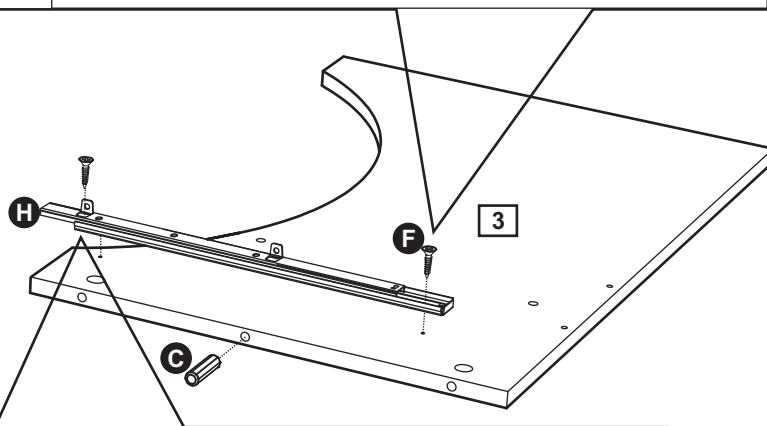


**b:**

**b:** Use Screws **F** to fix the Runner right **H**, onto Right side **3**.

Slide top of the runner to access the first hole.

Insert Dowel **C** into Right side **3**.



# Assembly Instructions

## Step 2

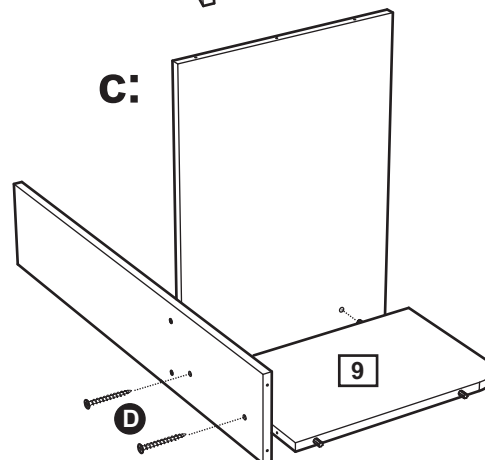
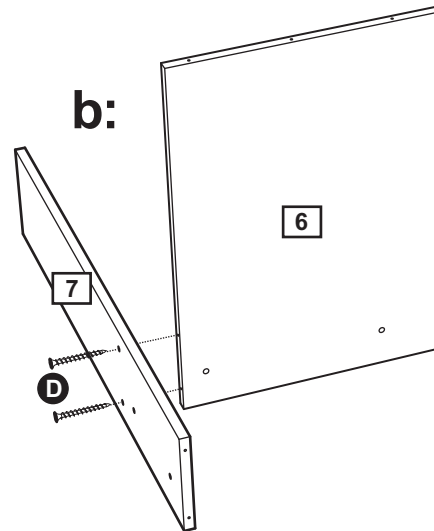
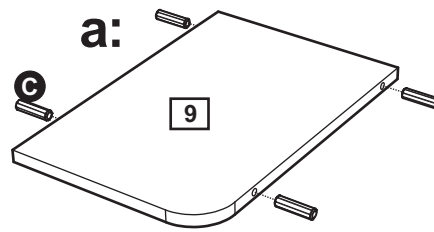
### Fitting the centre support

**Note:** It would be useful to ask someone to help you at this stage.

**a:** Insert Dowels **C** into Cross shelf **9**.

**b:** Use Screws **D** to fix Back support **7** onto Centre support **6**.

**c:** Use Screws **D** to fix Cross shelf **9** onto the unit.

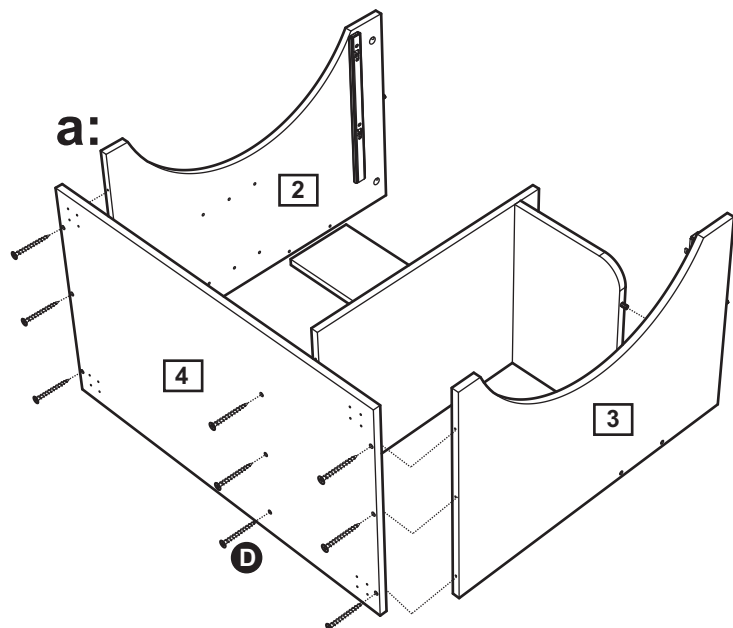


## Step 3

### Fitting bottom and side panels

**Note:** It would be useful to ask someone to help you at this stage.

**a:** Use Screws **D** to fix Bottom **4**, Left side **2**, Right side **3** onto the unit.

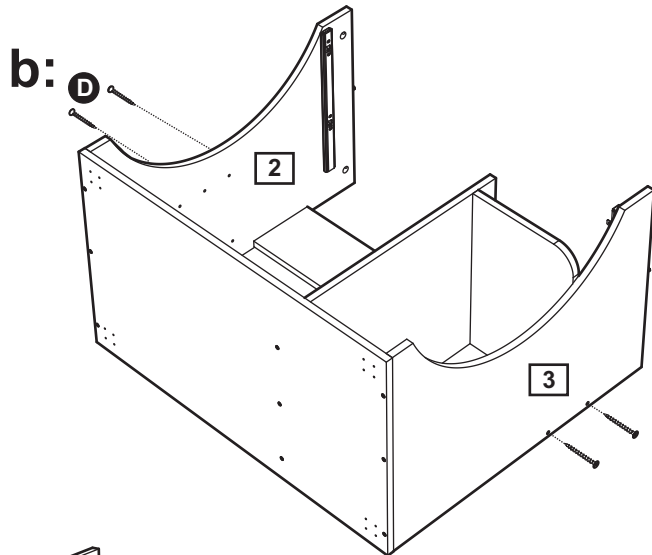


Continued on next page.

# Assembly Instructions

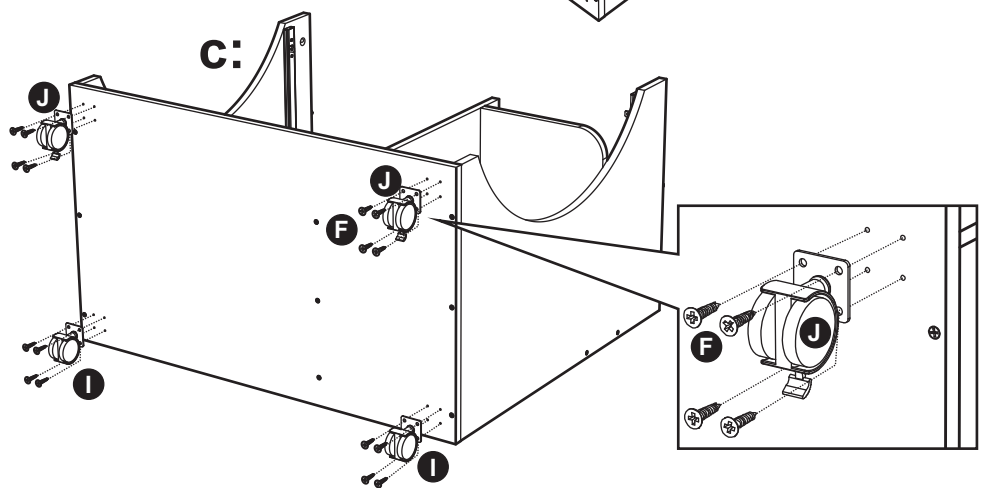
## Step 3 - continued

**b:** Use Screws **D** to fix Left side **2**, Right side **3** onto the unit.



**c:** Use Screws **F** to fix the Front castors **J** and Castors **I** onto the unit.

**Note:** The Front castors **J** feature a locking arm. We recommend you lock the castors when you have finally positioned the unit in place.

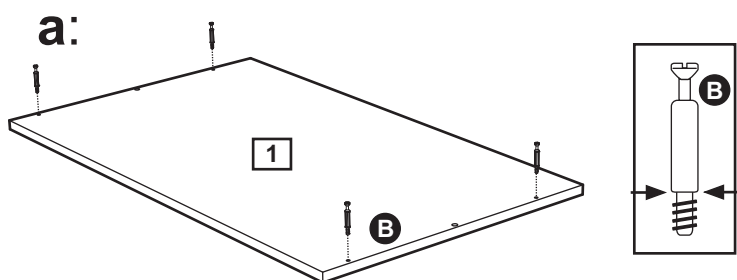


## Step 4

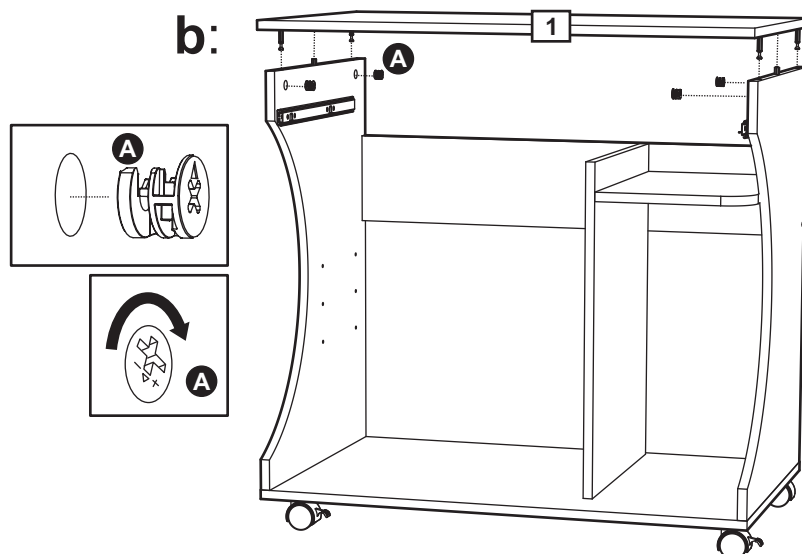
### Fitting the top panel

**Note:** It would be useful to ask someone to help you at this stage.

**a:** Screw in Locking pins **B** onto Top **1**.



**b:** Use Locking nuts **A** to fix the Table top **1** onto the unit.



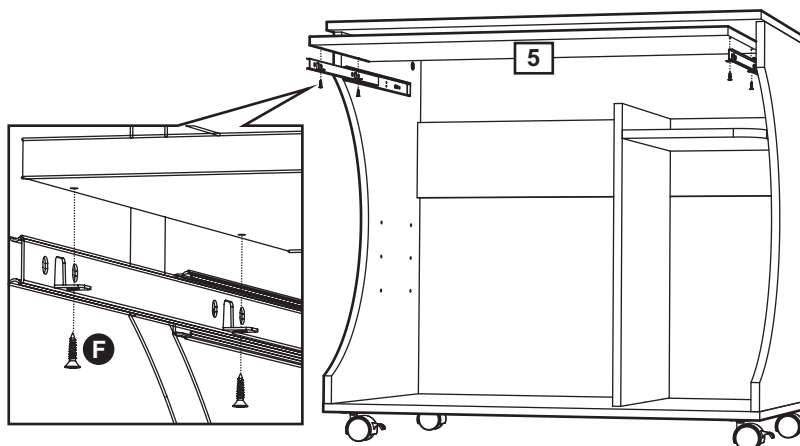
# Assembly Instructions

## Step 5

### Fitting the drawer panel

**Note:** It would be useful to ask someone to help you at this stage.

Use Screws **F** to fix the Keyboard **5** onto the unit.



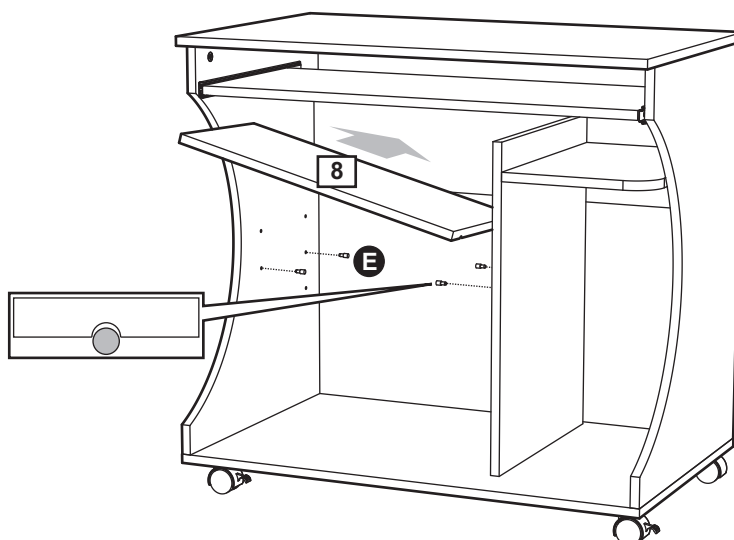
## Step 6

### Fitting the shelf

Place Shelf supports **E** into the unit.

Slide shelf **8** into the unit.

**Note:** Adjust the shelf supports to the desired height.

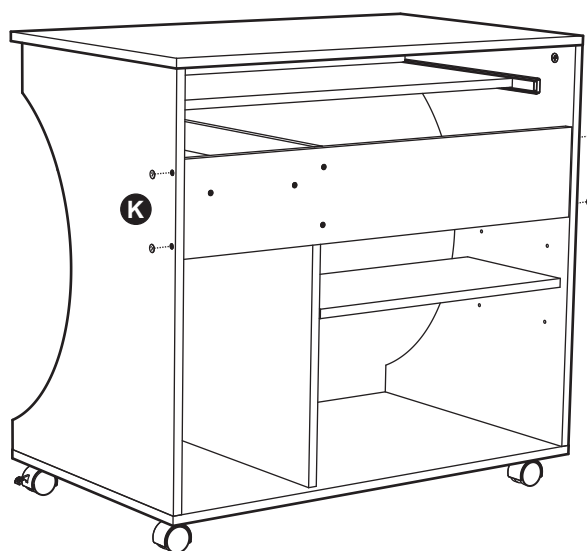


## Step 7

### Cover the screws

Use Cover caps **K** to cover the screws.

**Assembly is complete.**



If you need help or have damaged or missing parts, call the **Customer Helpline : 08456 400800**