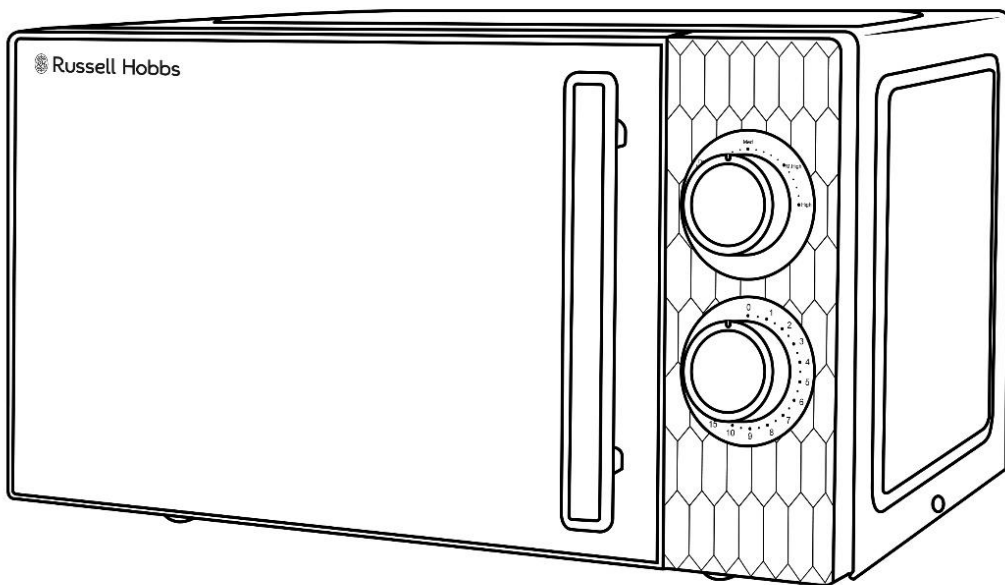




Russell Hobbs

Honeycomb Compact Manual Microwave User Guide



**Model Number:
RHMM715 (-EUAZ), (B-EUAZ)**

ENGLISH	DEUTSCH	ESPAÑOL	FRANÇAIS	ITALIANO
Pg 1-29	Pg 30-58	Pg 59-87	Pg 88-116	Pg 117-148

CONTENTS

	Page(s)
Safety instructions	3-9
About your microwave	10-11
Product information	12
Unpacking the microwave	13
Product overview	14
Microwave oven installation	15
Turntable installation	16-17
Control panel	18
Using the microwave	19
Cooking tips	20
Cleaning the microwave	21
Important utensil information	22
Troubleshooting	23-26
Guarantee & customer services	27
Spare parts	28
Disposal information	29

SAFETY INSTRUCTIONS

IMPORTANT SAFETY INSTRUCTIONS **READ CAREFULLY AND KEEP FOR FUTURE REFERENCE**

WARNING:

- If the door or door seals are damaged, the oven must not be operated until it has been repaired by a competent person.
- It is hazardous for anyone other than a competent person to carry out any service or repair operation that involves the removal of a cover which gives protection against exposure to microwave energy.
- Liquids and other foods must not be heated in sealed containers since they are liable to explode.
- The appliance and its accessible parts may become hot during use. Care should be taken to avoid touching heating elements.
- Do not leave the microwave oven unattended while you are using it.
- Do not use the microwave when it is empty. This could damage the oven.
- This appliance is intended to be used in the household and general domestic applications. It is not intended to be used in industrial or commercial applications.

SAFETY INSTRUCTIONS

READ CAREFULLY AND KEEP FOR FUTURE REFERENCE

WARNING:

- This microwave is intended for heating food and beverages only. The drying of food or clothing and heating of warming pads, wheat bags, slippers, sponges, damp cloth and similar is extremely dangerous and may lead to risk of injury, ignition or fire.
- Do not use metal pans, dishes with metal handles or anything with a metal trim inside the microwave. Do not use paper covered wire twist-ties on plastic bags.
- Never put objects into the openings on the outer case.
- This appliance can be used by children aged from 8 years and above and persons with reduced physical, sensory or mental capabilities or lack of experience and knowledge, only if they are being supervised or have been given instruction in the safe use of the appliance and understand the hazards involved. Children should not play with the appliance.
- Food containing a mixture of fat and water (for example, stock) should stand for 30 to 60 seconds in the oven after it has been turned off. This is to allow the mixture to settle and to prevent it from bubbling when a spoon is placed in it, or a stock cube is added.

SAFETY INSTRUCTIONS

READ CAREFULLY AND KEEP FOR FUTURE REFERENCE

WARNING:

- When heating or cooking food or liquid, remember that there are certain foods (such as, jam, Christmas pudding, and mincemeat) which heat up very quickly.
- Microwave heating of beverages can result in delayed eruptive boiling, therefore care must be taken when handling the container.
- The contents of feeding bottles and baby food jars shall be stirred or shaken and the temperature checked before consumption, in order to avoid burns. Do not heat baby bottles with the teat left on. Remove it if replacing the bottle back into the oven.
- Eggs in their shell and whole hard-boiled eggs should not be heated in microwave ovens since they may explode, even after microwave heating has ended.
- Do not cook any food surrounded by a membrane, such as egg yolks, potatoes, chicken livers, sausages, ready meals and so on without piercing them several times with a fork.
- Do not try to deep-fry foods in this microwave oven.
- Do not overcook food.

SAFETY INSTRUCTIONS

READ CAREFULLY AND KEEP FOR FUTURE REFERENCE

WARNING:

- When heating food in plastic or paper containers, keep an eye on the oven due to the possibility of ignition.
- If materials inside the oven smoke or catch fire, keep the oven door closed to stifle the flames, turn the oven off at the wall switch, or shut the power off at the fuse or circuit-breaker panel. If smoke is emitted, switch off or unplug the appliance and keep the door closed in order to stifle any flames.
- Please remember that as food or liquids heat up, they will release steam or may be spitting. Never cover any container fully, always leave a gap for steam to escape.
- Do not use plastic containers when heating or cooking foods that contain a lot of fat or sugar.
- Always have the glass turntable and turntable support in place when using the microwave oven.
- Do not cook food directly on the glass turntable. Put food on a suitable plate or in a bowl before putting it in the oven.

SAFETY INSTRUCTIONS

READ CAREFULLY AND KEEP FOR FUTURE REFERENCE

WARNING:

- Do not use melamine dishes as they contain a material which will absorb microwave energy. This may cause the dishes to crack or burn, and will slow down the cooking speed.
- Use only cookware and utensils that are approved for use in a microwave oven.
- Do not use the microwave oven for heating utensils, plates or dishes.
- Do not cook using a container with a restricted opening, such as bottles, as they may explode.
- Before you clean your microwave oven, turn it off and unplug it.
- Keep the inside of the oven clean. When food or liquids stick to the oven walls, wipe with a damp cloth. We recommend that you do not use harsh detergent or abrasives.

SAFETY INSTRUCTIONS

READ CAREFULLY AND KEEP FOR FUTURE REFERENCE

WARNING:

- On the right hand wall of the cavity is the plastic waveguide cover, microwaves are passed through this to enable your food to cook. **It is important that this waveguide cover is kept clean at all times.** To do this wipe with mild detergent and water, then dry.
- The oven should be cleaned regularly and any food deposits removed. Failure to maintain the oven in a clean condition could lead to deterioration of the surface that could adversely affect the life of the appliance and possibly result in a hazardous situation.
- You should clean the outside of the oven with a damp cloth. Do not allow water to seep into the ventilation openings.
- Do not use harsh abrasive cleaners or sharp metal scrapers to clean the oven door glass since they can scratch the surface, which may result in shattering of the glass.
- If steam builds up inside or around the outside of the oven door, wipe with a soft cloth. This may happen when the microwave oven is used in humid conditions.

SAFETY INSTRUCTIONS

READ CAREFULLY AND KEEP FOR FUTURE REFERENCE

WARNING:

- Regularly remove the glass turntable to clean it, wash it in warm soapy water or a dishwasher. Regularly clean the turntable support and oven floor. Simply wipe the bottom surface of the oven with mild detergent and water, then dry. You can wash the turntable support in mild soapy water.
- Failure to maintain the oven in a clean condition, especially if liquid is left under the turntable, could lead to deterioration of the surface that will adversely affect the life of the appliance that may result in a hazardous condition.
- Children shall not play with the appliance. Cleaning and user maintenance shall not be made by children without supervision.
- If the supply cord is damaged, it must be replaced by the manufacturer, its service agent or similarly qualified persons in order to avoid a hazard.

ABOUT YOUR MICROWAVE

Thank you for purchasing your Russell Hobbs microwave oven.

Practical and stylish, the RHMM715 is part of a premium Russell Hobbs breakfast collection, designed to complement the Honeycomb kettle and toaster. The honeycomb-inspired design delivers an eye-catching textured pattern alongside stainless steel accents, to bring a little style to your kitchen countertop.

Once you have prepared the microwave for first use, simply place your food in suitable cookware, open the door and position onto the assembled turntable. Next, all you need to do is select a power level and the cooking time required by turning the easy to use dials, found on the control panel. The internal microwave light lets you know that cooking is in progress.

When the cooking cycle has finished the microwave has a handy ringer function that will sound to alert you. And that's it! Cooking has never been so easy.

With the RHMM715 you can tailor cooking to suit any recipe using the 5 power levels available for selection. There's 17L of space and 700W of microwave power so you can reheat a variety of dishes in minutes. For added functionality, there's also an essential defrost setting, saving you time so that you can cook meals straight from the freezer.

Easy to clean, simply wipe with a damp cloth to maintain excellent performance. Choose the RHMM715 for the ultimate in microwave cooking convenience.

ABOUT YOUR MICROWAVE

How do microwaves work?

Microwaves are high-frequency electromagnetic waves similar to radio waves. While radio waves may vary in length from one metre to many kilometres, microwaves are very short (less than 12.5 centimetres.)

Microwaves do not make any heat themselves but cause water molecules in food to vibrate.

This vibration produces heat that cooks the food. This is why your food will come out of the microwave piping hot, when your utensils inside the oven stay much cooler. The microwaves do not stay in the air or in the food when you open the microwave oven door.

The microwave oven will work using an ordinary household electrical socket. Inside the microwave oven is the magnetron, which turns the electrical energy into microwaves.

Microwaves cannot travel through metal, so the inside of the oven is lined with metal. The door is lined with a fine metal mesh which stops microwaves getting through. This means that when the microwave oven door is shut, there is no possibility that microwaves can be released.

PRODUCT INFORMATION

Rated Voltage	AC230V/50Hz
Rated Input Power (Microwave)	1100W
Rated Output Power (Microwave)	700W
Oven Capacity	17L
Turntable Diameter	25.5cm
External Dimensions (H x W x D)	26.1 x 45.5 x 35.2 (cm)
Net Weight; Approx	11 Kg
Number of Power Levels	5 including defrost
Accessories Included	Turntable coupling Turntable roller ring Glass turntable

Energy Consumption

Product information for power consumption and maximum time to reach applicable low power mode.

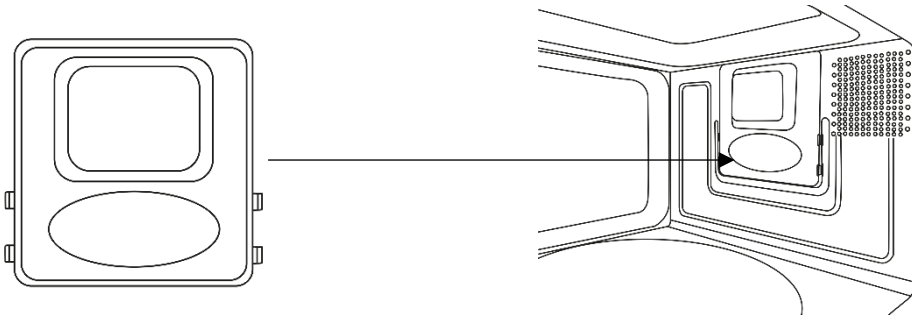
Off mode	0.3 W
-----------------	-------

*Internal volume is calculated by measuring maximum width, depth and height. Actual capacity for holding food is less.

UNPACKING THE MICROWAVE

Before you use your microwave oven

1. Remove all the packaging. **Do not** remove the large piece of plastic waveguide cover from the right hand side of the cavity wall. (Refer to the below image). This is called a waveguide cover and allows the microwaves to pass through to cook the food.



Please ensure you keep this cover clean at all times by wiping with a damp cloth. Do not remove/place in a dishwasher.

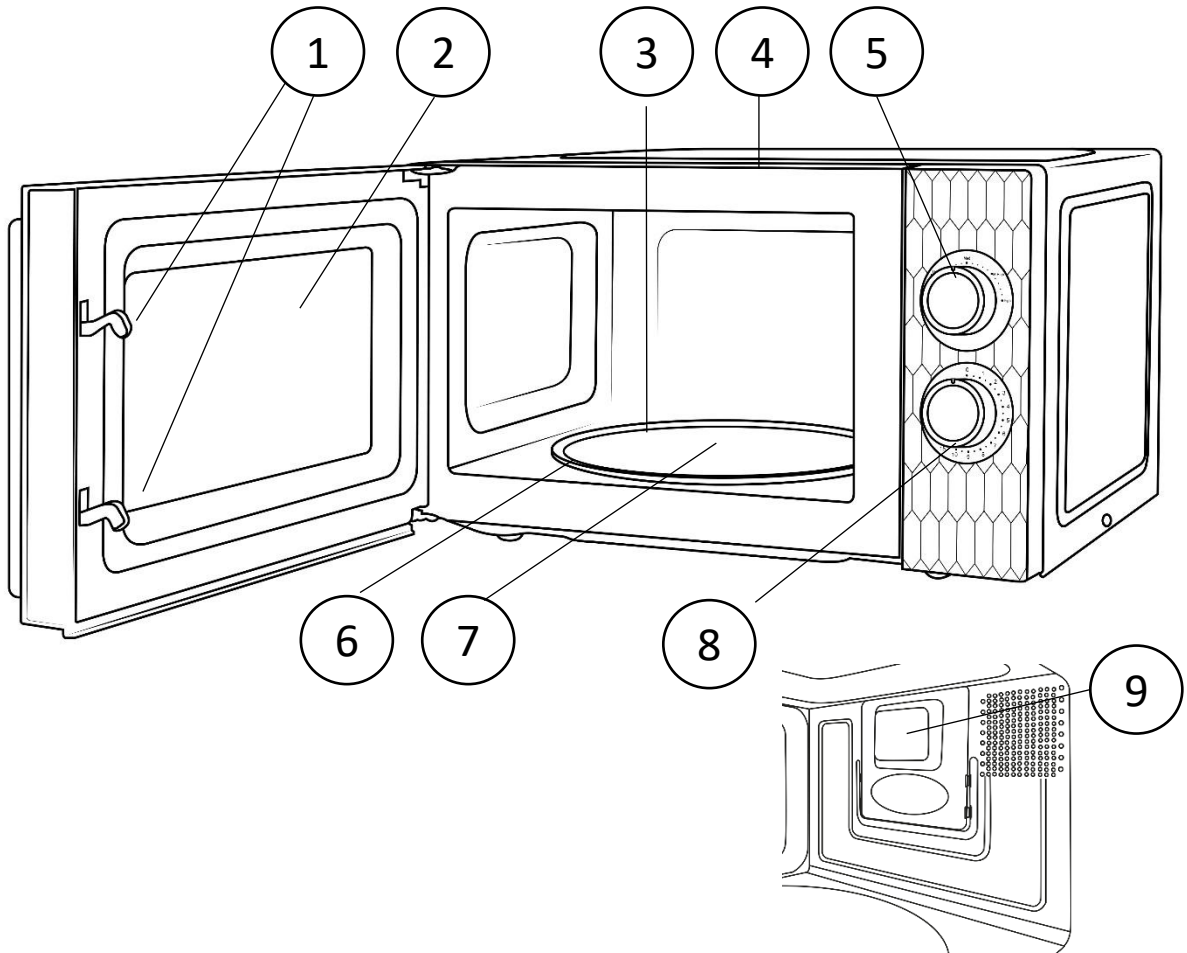
2. Check the oven after unpacking for any visual damage such as:

- A misaligned door
- Damage to the door
- Dents or holes in the door window and screen
- Dents in the inside

If you can see any damage **do not use the oven, please contact Customer Service team on europe@productcaregroup.com.**

This microwave oven weighs approximately 11 kg so you must put it on a horizontal surface that is strong enough to support this weight. The oven must be placed away from high temperatures and steam. Do not put anything on the top of the microwave oven.

PRODUCT OVERVIEW



1. **Safety interlock latches**
2. **Door assembly and window**
3. **Glass turntable**
4. **Microwave inside door frame**
5. **Power control dial**
6. **Turntable ring**
7. **Turntable coupling**
8. **Time control dial**
9. **Plastic Waveguide cover**

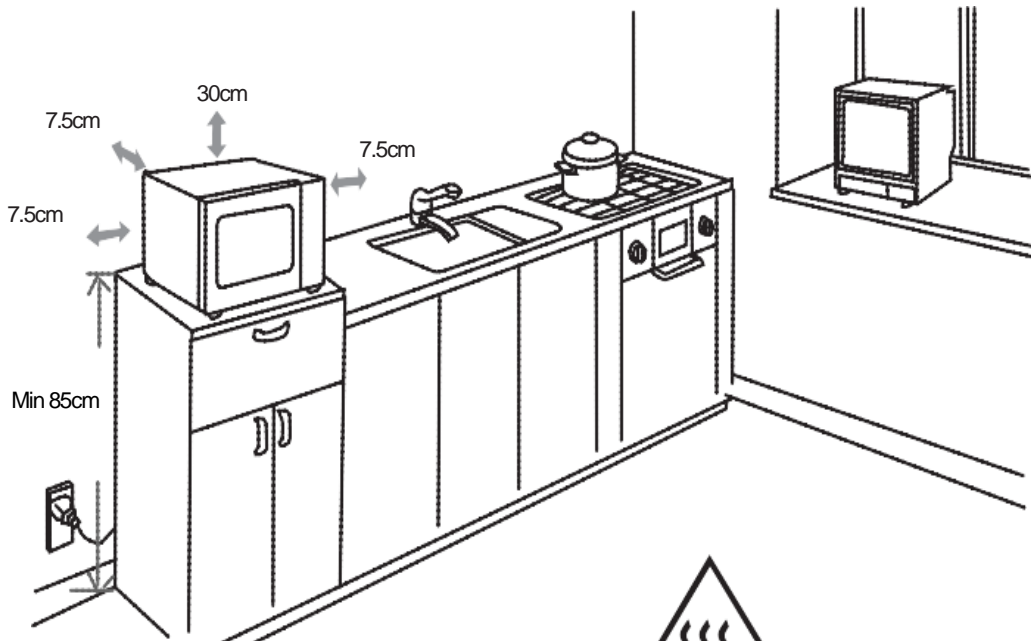
MICROWAVE OVEN INSTALLATION

The minimum installation height is 85cm.

A minimum clearance of 7.5cm is required between the oven and any adjacent walls. Leave a minimum clearance of 30cm above the oven.

WARNING:

DO NOT install the oven over a cooker or other heat or steam producing appliance as this will damage the microwave oven.



DO NOT obstruct
the ventilation
from the microwave

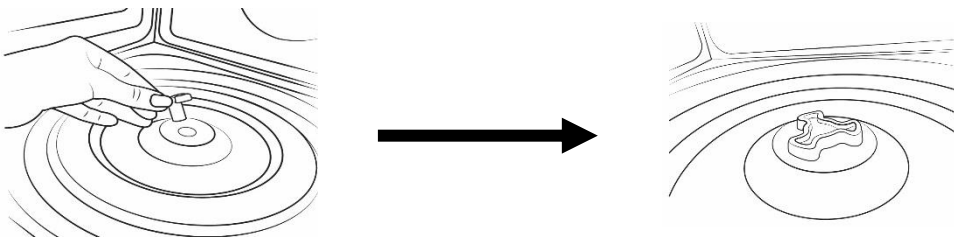


This symbol means
“CAUTION: Hot Surface”

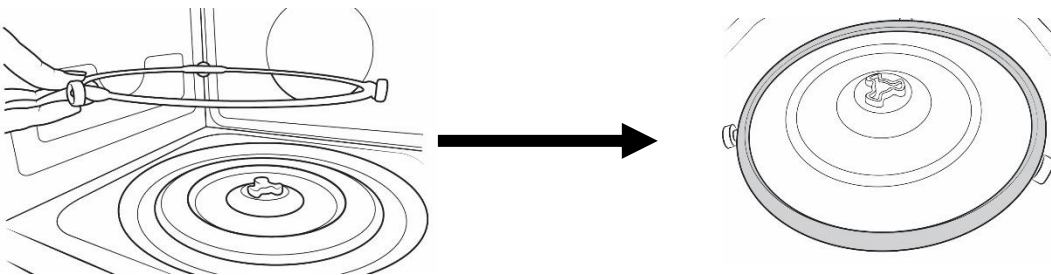
TURNTABLE INSTALLATION

- Before first use, check that any securing tape and all packaging has been removed from the glass turntable and turntable ring assembly.
- **These parts must never be restricted from rotating.**
- Never place the glass turntable upside down.
- To assemble the turntable, follow the steps below in number order.

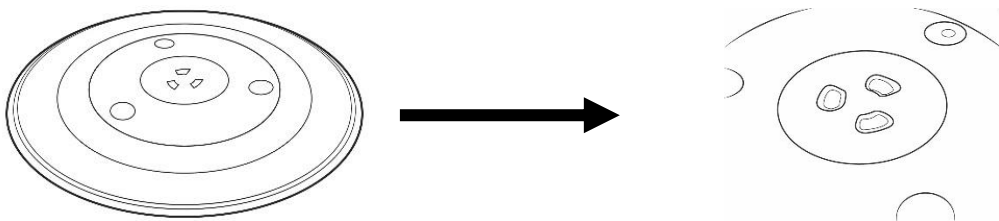
STEP 1) The turntable coupling should slot into the centre of the microwave



STEP 2) The turntable ring slots into the indents in the middle

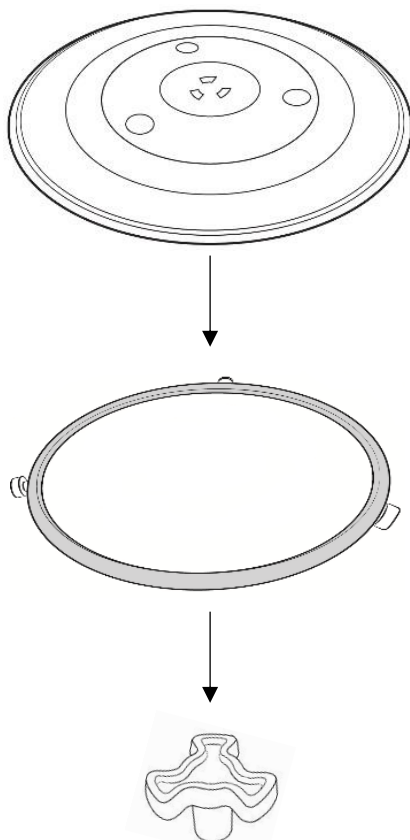


STEP 3) The glass turntable should align with the turntable coupling



TURNTABLE INSTALLATION

The glass turntable, turntable ring, and turntable coupling assembly must always be used during cooking (as shown below).

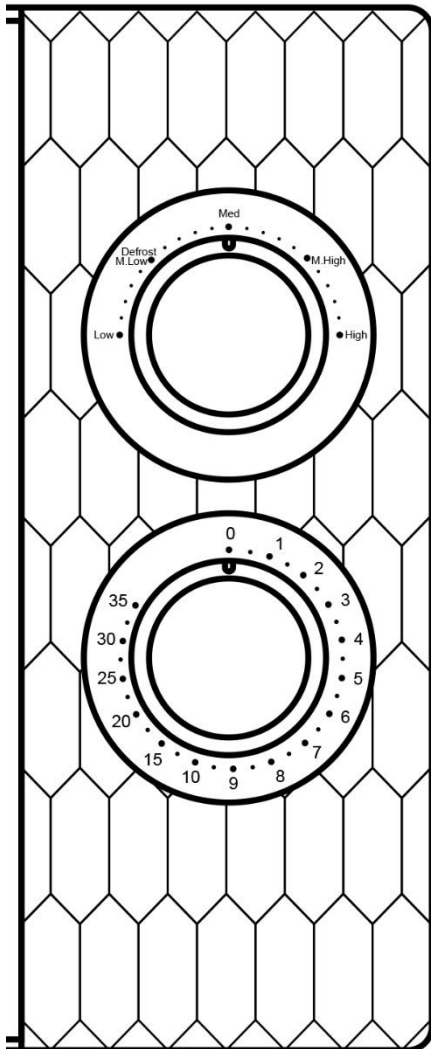


- Do not place the food directly onto the glass turntable, always place on or in suitable microwaveable cookware.

Please check that crockery is microwave safe before using.

- If the glass turntable or turntable ring assembly has been damaged in any way, please contact our friendly Customer Services on europa@productcaregroup.com.

CONTROL PANEL



POWER control dial

There are 5 power levels including a defrost function, selected using the power control dial.

The lower the power setting, the slower the microwave will heat the food. Make sure you follow guidelines on packaging when selecting a setting.

To defrost food, set the arrow on the dial to '**Defrost**'.

TIME control dial

Turn the dial clockwise to increase the time set.

You can set your cooking time for up to 35 minutes.

The arrow on the dial will indicate how many minutes you have selected, each circular mark represents a minute.

When the time has ran out, the microwave will produce a 'ping' noise to alert you that cooking has completed.

If you wish to set the time for less than two minutes, turn the dial clockwise past the two minute mark and back anti clockwise to less than two minutes.

USING THE MICROWAVE

- Put the food to be cooked or defrosted in a suitable microwave safe container, cover the food with a suitable cover or with microwave safe cling film (pierce the film with a fork.)
- Put the container into the microwave oven and close the door.
- Choose the power level you want by turning the **POWER** dial.
- Choose the cooking time in minutes by turning the **TIME** dial. Follow the manufacturers guidelines on the pack. The maximum time is 35 minutes.
- If you want to cook for a time less than 2 minutes, turn the **TIME** dial past 2 minutes and then return it to the time required.
- As soon as the timer has been set the microwave will start to cook or defrost the food.
- Cooking or defrosting can be interrupted at any time to stir or check the food cooking progress by opening the door. The microwave oven will automatically continue the cycle for the remaining time when the door is closed.
- After the cooking time is finished, a bell will sound and the microwave oven will automatically turn off.
- Allow the food to stand for 30 seconds to 1 minute and stir any liquids before serving.
- If there is time remaining on the dial, rotate the dial back to '0'. The microwave bell will sound.

POWER setting	Equivalent Power
Low	17%
Defrost	30%
M.Low	30%
Med	55%
M.High	80%
High	100%

COOKING TIPS

Defrosting tips

Microwaves penetrate around 4cm into most food. To maximize defrosting effectiveness follow the below guidelines.

1. For thick foods, turn regularly during operation in order to defrost evenly.
2. If food weighs over 500g, it is advised to turn at least 2 times.
3. Defrosted food should be consumed as soon as possible, it is not advisable to put back into the fridge or to freeze again.

Cooking tips - The following may affect cooking results:

Food arrangement

If possible, thicker bits of food should be placed around the outside of the dish and the thinner parts toward the centre, spread out as evenly as possible. Do not overlap food if possible as this could result in uneven cooking results.

Cooking length

If you are unsure of cooking times it is advisable to start with a short cooking time and monitor cooking progress before adding further time. Overcooking could lead to a risk of fire. Ensure food is cooked thoroughly before consuming.

Cooking food evenly

Foods such as meat should be turned frequently to ensure more even cooking results. If the food is liquid based, stirring during the cooking time is advisable.

Allow standing time

When the microwave has stopped cooking, leave the food to rest for an adequate length of time to allow for cooking completion and cooling.

CLEANING THE MICROWAVE

- Before you clean the oven, **turn it off and unplug it.**
- Keep the inside of the oven clean. When food or liquids stick to the oven walls, wipe with a damp cloth. We recommend that you do not use harsh detergent or abrasives.
- On the right hand side wall of the cavity is the waveguide cover, microwaves are passed through this to enable your food to cook. It is important that this waveguide cover is kept clean at all times. To do this wipe with mild detergent and water, then dry.
- You should clean the outside of the oven with a damp cloth. **Do not allow water to seep into the ventilation openings.**
- **Do not allow the control panel to become wet.** Clean with a soft, damp cloth. Do not use detergents, abrasives or spray-on cleaners on the control panel.
- If steam builds up inside or around the outside of the oven door, wipe with a soft cloth. This may happen when the microwave oven is used in humid conditions.
- Regularly remove the glass turntable to clean it, and wash it in warm soapy water. Regularly clean the turntable support and oven floor. Simply wipe the bottom surface of the oven with mild detergent and water, then dry. You can wash the turntable support in mild soapy water.
- When removing the turntable support of the oven, make sure you put it back properly.
- If the inside of the oven smells, put a cup of water with the juice and skin of one lemon in a deep microwave bowl. Microwave it for three minutes, wipe thoroughly and then dry with a soft cloth.

IMPORTANT UTENSIL INFORMATION

- Do not use metal pans or dishes with metal handles.
- Do not use anything with a metal trim.
- Do not use paper covered wire twist-ties on plastic bags.
- Do not use melamine dishes as they contain a material which will absorb microwave energy. This may cause the dishes to crack or burn, and will slow down the cooking speed.
- Use only cookware that is approved to be used in a microwave oven.
- Do not cook using a container with a restricted opening, such as bottles, as they may explode.
- Do not heat baby bottles with the teat left on. Remove it if replacing the bottle back into the oven.
- Only use thermometers that are approved for microwave ovens.
- Do not use the microwave oven for heating utensils.

TROUBLESHOOTING



WARNING: To reduce the risk of personal injury, always unplug the microwave before performing maintenance or trouble shooting checks.

The microwave oven may cause interference to your radio, TV or similar equipment. If this happens, you stop the interference by moving the radio, TV or equipment as far away from your microwave oven as possible.

Problem	Potential reason	Potential solution
If the microwave doesn't work	1. Microwave is not plugged in	Make sure the plug is plugged in securely into the mains and the plug is switched on. If it is not, remove the plug from the socket, wait 10 seconds and plug it in again securely.
	2. Plug is not working	The plug socket that the microwave is plugged into may have become faulty. Plug the microwave into another known good plug socket, ensure that the socket is turned on and check if the microwave now works.
	3. The plug has a blown fuse or the mains circuit has a blown fuse/tripped fuse	Check the plug for a blown circuit fuse or a tripped main circuit breaker. If these seem to be working properly, test the socket with another appliance.
	4. Microwave has developed a fault	Contact customer services to talk through the problem to see if any solution for the fault can be found. If not and the product is within its warranty period, then the microwave should be returned to the retailer it was purchased from for a replacement or refund.
If the microwave power will not work	1. Door is not closed	Make sure the door is securely closed. Otherwise, the microwave will not engage or operate.
	2. The timer dial has not been set.	You need to turn the time control dial clockwise to set the time and initiate cooking.
Not heating	Magnetron not working	The component that produces the microwaves is called a magnetron, if food is not being heated or is 'luke' warm then it is likely this component has developed a fault. If the microwave is within its warranty period, please contact customer services for further advice or take the microwave back to the retailer it was purchased from for a refund or replacement.

TROUBLESHOOTING

Problem	Potential reason	Potential solution
Sparkling	1. Burnt on food debris	<p>Spillages or splashes can burn and catch fire, all food that is put into the microwave should be appropriately covered. All spillages or splashes must be cleaned, and all areas of microwave cleaned after each use.</p> <p>Burnt on food debris in the microwave, on the waveguide and the behind the waveguide can cause the microwave to 'spark'. This is because burnt on debris can be focused on by the microwaves and spark.</p> <p>Microwaves must be thoroughly cleaned after every use to ensure no food is burnt on to any part of the microwave. If the microwave does 'spark' the waveguide must be disposed, the microwave <u>must</u> be cleaned thoroughly and then contact customer services for a replacement waveguide.</p> <p>The replacement waveguide should be fitted and the microwave should operate normally. However, if the microwave 'sparks' again on first use (after the waveguide has been replaced and the microwave cleaned,) please contact customer services for further advice.</p>
	2. Metal or foil	<p>No metal or foil should be put inside a microwave as it can cause 'sparkling' which can damage the microwave.</p> <p>The only metal accessories that should be used inside the microwave are the ones supplied by the manufacturer.</p>
	3. Pressure build up in food	<p>Food with none porous skins (potatoes for example), must be pierced to allow steam to escape. As the build up of pressure can cause food to burst and create a 'fire hazard'.</p>
Heat spots	Operated empty or with no moisture	<p>Microwaves cannot be run empty, microwaves need moisture to operate correctly.</p> <p>If microwaves are operated empty or are used to heat up plates (this is not permitted), the microwaves can focus on a single point inside the microwave. This can cause a heat spot, which can cause the area to become deformed, warped or start to melt.</p> <p>If microwaves are operated empty or to heat up foreign objects this will void the warranty.</p>

TROUBLESHOOTING

Problem	Potential reason	Potential solution
Condensation or excess water	1. Food that is being cooked	By the very nature of how a microwave works, it 'excites' the water molecules in the food it is heating, causing them to move about and generate heat from within the food. Often when the food heats up it reaches the point where steam is released. Dependant on the food type being heated (and its water content level), the length of time being heated for – and so the amount of steam generated – it is inevitable that some of the steam will condense and form back into water droplets within the microwave cavity. This can usually be found on the inner walls or most commonly on the back of the glass door. If not cleaned up, these droplets can start to form small 'pools' of water.
	2. Cooling vents covered	Cooling vents allow the heat and steam to escape from the microwave. These cannot be covered as it can cause excessive water to settle inside the microwave or the microwave to overheat. The installation instructions in the instruction manual must be followed or the warranty will be void.
Paint damage/peeling	Maintenance	If the microwave is within its warranty period, please contact customer services for further advice or take the microwave back to the retailer it was purchased from for a refund or replacement.
Light not working	Bulb not working	Due to the construction of microwaves and certain 'dangerous' components inside, the light bulb can only be changed by a qualified service engineer. If the microwave is within its warranty period, please contact customer services for further advice or take the microwave back to the retailer it was purchased from for a refund or replacement.
Over heating	Cooling vents covered	Cooling vents allow the heat and steam to escape from the microwave. These cannot be covered as it can cause excessive water to settle inside the microwave or the microwave to overheat. The installation instructions in the manual must be followed or the warranty will be void.

TROUBLESHOOTING

Problem	Potential reason	Potential solution
Door not shutting/ locking	1. Glass turntable fitted incorrectly	Check that the glass turntable has been placed correctly on the turntable and is not stopping the door from shutting correctly.
	2. Latches have become deformed	If the microwave is within its warranty period, please contact customer services for further advice or take the microwave back to the retailer it was purchased from for a refund or replacement.
Turntable not rotating	1. Turntable coupling not fitted or tape not removed	Check that the turntable coupling is fitted correctly and the transportation tape has been removed.
	2. Turntable roller ring not fitted or fitted incorrectly	Check that the coupling has been placed under the turntable and that it is in position correctly.
	3. Glass turntable fitted incorrectly	Check that the glass turntable has been placed correctly on the turntable.
	4. Turntable has developed a fault	If the microwave is within its warranty period, please contact customer services for further advice or take the microwave back to the retailer it was purchased from for a refund or replacement.
Too noisy	1. Glass turntable fitted incorrectly	Check that the glass turntable has been placed correctly on the turntable and is not hitting the walls/doors of the microwave during operation.
	2. Dishes/plate are too large for the microwave	Check that the dishes/plates are the correct size for the microwave and that they are not hitting the walls/door of microwave during operation.

GUARANTEE AND CUSTOMER SERVICES

This product is guaranteed for **12 months** from the date of the original purchase. If any defect arises due to faulty materials or workmanship, the faulty product must be returned to the place of purchase. Refund or replacement is at the discretion of the retailer.

The following conditions apply:

- The product must be returned to the retailer with the original proof of purchase.
- The product must be installed and used in accordance with the instructions contained in this instruction guide and any other instructions for use which are supplied.
- It must be used for domestic purposes only and for its intended use.
- This warranty does not cover wear and tear, damage, misuse or consumable parts.

This does not affect your statutory rights.

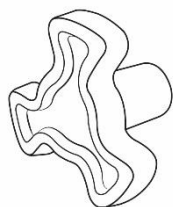
Customer Services & Spare Parts:

Region	Contact	Website
UK & Northern Ireland	0345 209 7461	mda.russellhobbs.com
Ireland	1 800 938982	ie.mda.russellhobbs.com
Rest of Europe	europe@productcaregroup.com	de.mda.russellhobbs.com fr.mda.russellhobbs.com es.mda.russellhobbs.com it.mda.russellhobbs.com nl.mda.russellhobbs.com

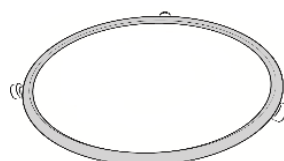
SPARE PARTS

To check the availability of the following spare parts, simply contact our friendly Customer Services on europe@productcaregroup.com.

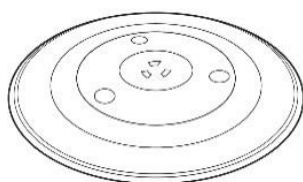
Turntable coupling



Turntable Ring



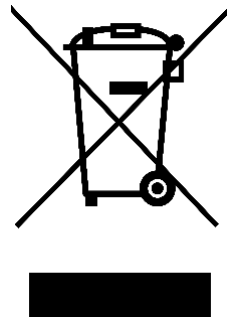
Glass turntable





Russell Hobbs

Made by Product Care Trading Limited under license from Spectrum Brands (UK) Limited. Product Care Trading Ltd, Unit 1, Green Bank Business Park, Swan Lane, Hindley Green, Wigan, WN2 4AY, United Kingdom / Product Care (Ireland) Ltd, Unit 3D North Point House, North Point Business Park, New Mallow Road, Cork, T23 AT2P, Ireland. Russell Hobbs is the registered trademark of Spectrum Brands (UK) Ltd.



The 'wheelee bin' symbol is known as the 'Crossed-out wheelee bin Symbol'. When this symbol is marked on a product/batteries, it means that the product/batteries should not be disposed of with your general household waste. Only discard electrical/electronic/battery items in separate collection schemes, which cater for the recovery and recycling of materials contained within. Your co-operation is vital to ensure the success of these schemes and for the protection of the environment. For your nearest disposal facility, visit www.recycle-more.co.uk or ask in store for details.

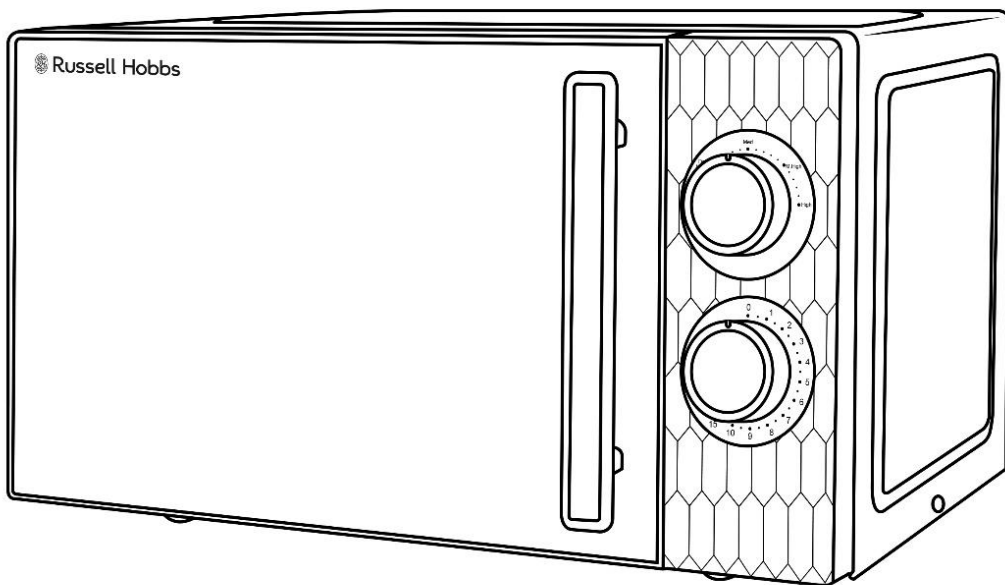
SEDEX – Connecting businesses and their global suppliers to share ethical data and enabling improvement in ethical performance. Visit www.sedex.org.uk for further information.

We reserve the right, due to possible changes to design, to alter the instruction manual without prior notice.



Russell Hobbs

Bienenwaben Manuelle Kompaktmikrowelle Gebrauchsanleitung



**Modellnummer:
RHMM715 (-EUAZ), (B-EUAZ)**

BITTE GUT AUFBEWAHREN

INHALTSVERZEICHNIS

	Seite(n)
Sicherheitshinweise	32-38
Ihre Mikrowelle	39-40
Produktinformationen	41
Die Mikrowelle auspacken	42
Produktübersicht	43
Installation des Mikrowellenherdes	44
Einsetzen des Drehtellers	45-46
Bedienfeld	47
Verwendung der Mikrowelle	48
Kochtipps	49
Die Mikrowelle reinigen	50
Wichtige Informationen zum Küchengeschirr	51
Fehlerbehebung	52-55
Garantie und Kundenservice	56
Ersatzteile	57
Entsorgung	58

SICHERHEITSHINWEISE

WICHTIGE SICHERHEITSHINWEISE **BITTE GUT DURCHLESEN UND AUFBEWAHREN**

WARNHINWEIS:

- Bei einer beschädigten Tür oder Türdichtung darf das Gerät erst nach der Reparatur durch einen Fachmann wieder verwendet werden.
- Wartungs- oder Reparaturarbeiten mit abgenommener Abdeckung sind für den Laien gefährlich, da die Abdeckung gegen die Mikrowellenstrahlen schützt.
- Flüssigkeiten und Lebensmittel dürfen nicht in geschlossenen Behältern erhitzt werden, da diese explodieren können.
- Das Gerät und alle zugänglichen Teile können während des Gebrauchs heiß werden. Achten Sie darauf, die Heizelemente nicht zu berühren.
- Lassen Sie den Mikrowellenherd während des Gebrauchs nicht unbeaufsichtigt.
- Verwenden Sie die Mikrowelle nicht leer. Dadurch könnte der Herd beschädigt werden.
- Dieses Gerät ist als allgemeines Haushaltsgerät für den Hausgebrauch ausgelegt. Es ist nicht für den industriellen oder gewerblichen Gebrauch konzipiert.

SICHERHEITSHINWEISE

BITTE GUT DURCHLESEN UND AUFBEWAHREN

WARNHINWEIS:

- Diese Mikrowelle ist nur zum Erhitzen von Lebensmitteln und Getränken ausgelegt. Es ist äußerst gefährlich und kann zu Verletzungen, Funken oder Bränden führen, wenn im Gerät Lebensmittel oder Bekleidung getrocknet bzw. Wärme- oder Körnerkissen, Hausschuhe, Schwämme, feuchte Lappen oder ähnliche Gegenstände erhitzt werden.
- Verwenden Sie in der Mikrowelle keine Metallpfannen, Geschirr mit Metallgriffen oder sonstige Gegenstände mit Metallrand. Verwenden Sie keine papierüberzogenen Drahtverschlüsse, wie sie zum Schließen von Kunststoffbeuteln eingesetzt werden.
- Stellen Sie niemals Gegenstände in die Gehäuseöffnungen.
- Dieses Produkt kann von Kindern ab 8 Jahren und von Personen mit physischen, sensorischen oder geistigen Beeinträchtigungen von bzw. Personen mit mangelnder Erfahrung und fehlender Kenntnis nur dann benutzt werden, wenn diese Personen beaufsichtigt werden oder eingewiesen wurden, wie das Produkt sicher angewendet wird, und wenn sie die möglichen Gefahrenquellen zu verstehen in der Lage sind. Lassen Sie Kinder nicht mit dem Produkt spielen.
- Lebensmittel, die Fett und Wasser enthalten (z. B. Brühe), sollten nach dem Ausschalten noch für 30 bis 60 Sekunden im Herd verbleiben. Die Flüssigkeit kann leicht abkühlen, wodurch Blasenbildung beim Hineingeben eines Löffels oder Brühwürfels verhindert wird.

SICHERHEITSHINWEISE

BITTE GUT DURCHLESEN UND AUFBEWAHREN

WARNHINWEIS:

- Beim Aufwärmen oder Garen von Lebensmitteln oder Flüssigkeiten sollten Sie beachten, dass bestimmte Lebensmittel (z. B. Marmelade, Obstauflauf oder Fruchtebrot) sehr schnell erhitzt werden.
- Werden Getränke in der Mikrowelle erhitzt, kann es zu einem verzögerten Überlaufen kommen. Seien Sie daher bei der Handhabung dieser Behälter vorsichtig.
- Um Verbrennungen zu vermeiden, schütteln oder rühren Sie den Inhalt von Babyfläschchen oder Babygläsern um und überprüfen Sie die Temperatur vor dem Verzehr. Erhitzen Sie Babyfläschchen nicht mit dem Nuckelaufsatz daran. Nehmen Sie den Nuckelaufsatz ab, falls Sie das Fläschchen in das Gerät stellen.
- Eier in der Schale und ganze, hartgekochte Eier dürfen nicht in Mikrowellenherden erhitzt werden, da sie selbst nach Ausschalten der Mikrowelle noch explodieren können.
- Erhitzen Sie keine Lebensmittel, die von einer Membran/Haut/Hülle umgeben sind, zum Beispiel Eigelb, Kartoffeln, Hühnerleber, Würstchen, Fertiggerichte und so weiter, ohne diese Membran/Haut/Hülle zuvor mehrmals mit der Gabel einzustechen.
- Im Mikrowellenherd sollten keine Lebensmittel frittiert werden.
- Lebensmittel nicht zerkochen.

SICHERHEITSHINWEISE

BITTE GUT DURCHLESEN UND AUFBEWAHREN

WARNHINWEIS:

- Behalten Sie Gargut in Kunststoff- oder Papierbehältern im Auge, da dies eine Zündquelle darstellen kann.
- Tritt am Geräteinhalt Rauch aus oder fängt dieser Feuer, halten Sie die Mikrowellentür geschlossen, um die Flammen zu ersticken. Schalten Sie das Gerät am Steckdosenschalter aus oder unterbrechen Sie am Sicherungskasten die Stromzufuhr. Falls Rauch austritt, schalten Sie das Gerät aus oder ziehen Sie es aus der Steckdose, und halten Sie die Tür geschlossen, um die Flammen zu ersticken.
- Hinweis: Erhitzte Lebensmittel und Flüssigkeiten geben Wasserdampf ab oder können spritzen. Decken Sie einen Behälter niemals vollständig ab. Lassen Sie den Deckel immer leicht geöffnet, damit Dampf entweichen kann.
- Verwenden Sie beim Erhitzen oder Garen von stark fett- oder zuckerhaltigen Lebensmitteln keine Kunststoffbehälter.
- Benutzen Sie Ihren Mikrowellenherd nie ohne Glasteller und Drehteller-Aufnahme.
- Erhitzen Sie Lebensmittel nicht direkt auf dem Glasteller. Geben Sie Lebensmittel vor dem Erhitzen erst auf einen geeigneten Teller oder in eine geeignete Schüssel.

SICHERHEITSHINWEISE

BITTE GUT DURCHLESEN UND AUFBEWAHREN

WARNHINWEIS:

- Verwenden Sie kein Melamingeschirr. Dieses enthält mikrowellenabsorbierendes Material. Das Geschirr könnte zerbrechen oder Feuer fangen. Außerdem verlangsamt es die Gargeschwindigkeit.
- Verwenden Sie nur mikrowellengeeignetes Kochgeschirr und Küchengeräte.
- Verwenden Sie den Mikrowellenherd nicht zum Aufwärmen von Kochgeschirr, Tellern oder Töpfen.
- Kochen Sie nicht in Behältern mit schmaler Öffnung (beispielsweise Flaschen), da diese explodieren können.
- Schalten Sie Ihren Mikrowellenherd vor einer Reinigung zuerst aus und ziehen Sie den Netzstecker.
- Halten Sie den Garraum sauber. An den Garraumwänden haftende Lebensmittel oder Flüssigkeiten sollten Sie mit einem feuchten Tuch abwischen. Verwenden Sie möglichst keine aggressiven Reiniger oder Scheuermittel.

SICHERHEITSHINWEISE

BITTE GUT DURCHLESEN UND AUFBEWAHREN

WARNHINWEIS:

- An der rechten Innenraumwand befindet sich die Wellenleiterabdeckung aus Kunststoff. Diese gibt Mikrowellen ab und gart damit Ihre Speisen. **Die Wellenleiterabdeckung ist unbedingt sauber zu halten.** Wischen Sie sie mit einem milden Reiniger und Wasser ab und trocknen Sie nach.
- Reinigen Sie den Herd regelmäßig und entfernen Sie alle Lebensmittelreste. Wird der Herd nicht sauber gehalten, kann die Oberfläche darunter leiden, was wiederum die Lebensdauer des Gerätes beeinträchtigen und das Gerät in einen gefährlichen Zustand versetzen kann.
- Reinigen Sie die Außenflächen des Herdes mit einem feuchten Tuch. Achten Sie darauf, dass kein Wasser in die Lüfteröffnungen eindringt.
- Verwenden Sie zur Reinigung der Glastür keine aggressiven Scheuerreiniger oder spitze Metallkratzer. Dadurch könnte die Oberfläche verkratzen und das Glas splintern.
- Wasserdampf, der sich innen oder außen an der Herdtür absetzt, wischen Sie mit einem weichen Tuch ab. Das kann auftreten, wenn der Mikrowellenherd in einer Umgebung mit hoher Luftfeuchtigkeit verwendet wird.

SICHERHEITSHINWEISE

BITTE GUT DURCHLESEN UND AUFBEWAHREN

WARNHINWEIS:

- Nehmen Sie den Glas-Drehteller regelmäßig zum Reinigen heraus. Waschen Sie ihn in warmem Seifenwasser oder im Geschirrspüler. Reinigen Sie Drehteller-Aufnahme und Garraumboden regelmäßig. Wischen Sie dazu einfach den Garraumboden mit mildem Reiniger und Wasser ab und trocknen Sie nach. Sie können die Drehteller-Aufnahme in mildem Seifenwasser reinigen.
- Wird der Herd nicht sauber gehalten, kann die Oberfläche darunter leiden (vor allem, wenn Flüssigkeit unter dem Drehteller verbleibt), was wiederum die Lebensdauer des Gerätes beeinträchtigt und das Gerät in einen gefährlichen Zustand versetzt.
- Lassen Sie Kinder nicht mit dem Produkt spielen. Reinigung und Wartung des Produkts dürfen ohne Beaufsichtigung nicht von Kindern durchgeführt werden.
- Um mögliche Gefahren auszuschließen, muss ein beschädigtes Stromkabel durch den Hersteller, einen seiner Servicestellen-Mitarbeiter oder eine ähnlich qualifizierte Person ausgetauscht werden.

IHRE MIKROWELLE

Vielen Dank, dass Sie sich für den Mikrowellenherd von Russell Hobbs entschieden haben.

Die praktische und elegante RHMM715 gehört zu der Premium-Kollektion von Russel Hobbs von Geräten für Ihr Frühstück und passt optimal zu unserem Wasserkocher und Toaster im Bienenwaben-Design. Das Bienenwaben-Design macht mit seinem texturierten Muster und seinen Edelstahl-Akzenten auf sich aufmerksam und verbreitet Eleganz in Ihrer Küche.

Sobald die Mikrowelle für die erste Inbetriebnahme vorbereitet ist, stellen Sie einfach Ihre Speise in ein mikrowellengeeignetes Geschirr, öffnen die Tür und stellen das Geschirr auf den innenliegenden Drehteller. Jetzt brauchen Sie am Bedienfeld nur noch eine Leistungsstufe und die erforderliche Gardauer durch Drehen des bedienerfreundlichen Reglers zu wählen. Durch die Mikrowellen-Innenbeleuchtung erkennen Sie, dass gerade ein Garvorgang stattfindet.

Die Mikrowelle gibt einen praktischen Signalton ab, sobald der Garzyklus abgeschlossen ist. Das Essen ist fertig! Nie war Kochen einfacher.

Mit der RHMM715 können Sie die Zubereitung jeder Speise über fünf Leistungsstufen genau auf Ihr Rezept abstimmen. Mit ihrem Fassungsvermögen von 17 Litern und 700 W Mikrowellenleistung können Sie eine Vielzahl von Speisen in wenigen Minuten aufwärmen. Ein weiterer Pluspunkt ist die zeitsparende Auftaufunktion – bereiten Sie Mahlzeiten einfach gleich aus der Tiefkühltruhe zu.

Für die beste Geräteleistung reinigen Sie das Gerät ganz einfach mit einem feuchten Tuch. Die RHMM715 ist die richtige Wahl für die mühelose Zubereitung in der Mikrowelle.

IHRE MIKROWELLE

Wie funktionieren Mikrowellen?

Mikrowellen sind – ähnlich wie Radiowellen – elektromagnetische Wellen im Hochfrequenzbereich. Radiowellen können zwischen einem Meter und vielen Kilometern lang sein. Mikrowellen dagegen sind sehr kurz (unter 12,5 Zentimeter.)

Die Mikrowellen selbst erzeugen keine Hitze. Sie bringen jedoch die Wassermoleküle in Lebensmitteln zum Schwingen.

Diese Bewegungen erzeugen Wärme und garen die Lebensmittel. Aus diesem Grund sind in der Mikrowelle gegarte Lebensmittel kochend heiß, während das Kochgeschirr im Mikrowellenherd vergleichsweise kühl bleibt. Wenn Sie die Tür des Mikrowellenherdes öffnen, befinden sich keine Mikrowellen in der Luft oder in den Lebensmitteln.

Der Mikrowellenherd lässt sich über die normale Haushaltssteckdose betreiben. Im Mikrowellenherd befindet sich das Magnetron, welches elektrische Energie in Mikrowellen umwandelt.

Mikrowellen können Metall nicht durchdringen. Daher ist die Garkammer mit Metall ausgekleidet. Die Tür ist mit einem feinen Metallnetz überzogen und verhindert ein Austreten der Mikrowellen. Bei geschlossener Tür des Mikrowellenherdes können also keine Mikrowellen freigesetzt werden.

PRODUKTINFORMATIONEN

Nennspannung	AC230 V/50 Hz
Eingangsnennleistung (Mikrowelle)	1100 W
Ausgangsnennleistung (Mikrowelle)	700 W
Fassungsvermögen Herd	17L
Durchmesser Drehteller	25,5cm
Außenmaße (H x B x T)	26,1 x 45,5 x 35,2 (cm)
Nettogewicht (circa)	11 Kg
Anzahl Leistungsstufen	5 einschließlich Auftauen
Mitgeliefertes Zubehör	Drehteller-Mitnehmer Drehteller-Rollenkranz Glas-Drehteller

Energieverbrauch

Produktinformationen zum Stromverbrauch und der Höchstdauer bis zum Erreichen des anwendbaren Energiesparmodus.

Off Mode (Aus-Modus)

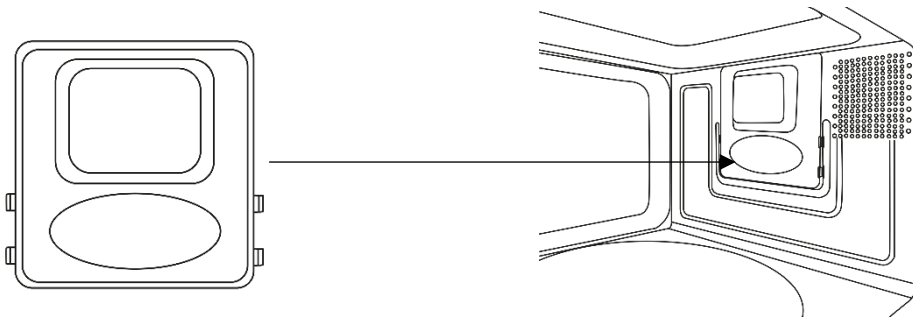
0.3 W

*Das Innenvolumen berechnet sich aus maximaler Breite, Tiefe und Höhe. Das tatsächliche Lebensmittel-Fassungsvermögen kann geringer sein.

DIE MIKROWELLE AUSPACKEN

Vor Gebrauch Ihres Mikrowellenherdes

1. Packen Sie das Gerät vollständig aus. **Entfernen Sie** nicht das große Plastikstück (Wellenleiterabdeckung) an der rechten Garraumwand. (siehe nachstehende Abbildung). Das ist eine sogenannte Wellenleiterabdeckung, über die die Mikrowellen in den Garraum dringen und die Speisen garen.



Halten Sie diese Abdeckung bitte mit einem feuchten Tuch stets sauber. Nicht abnehmen oder im Geschirrspüler reinigen.

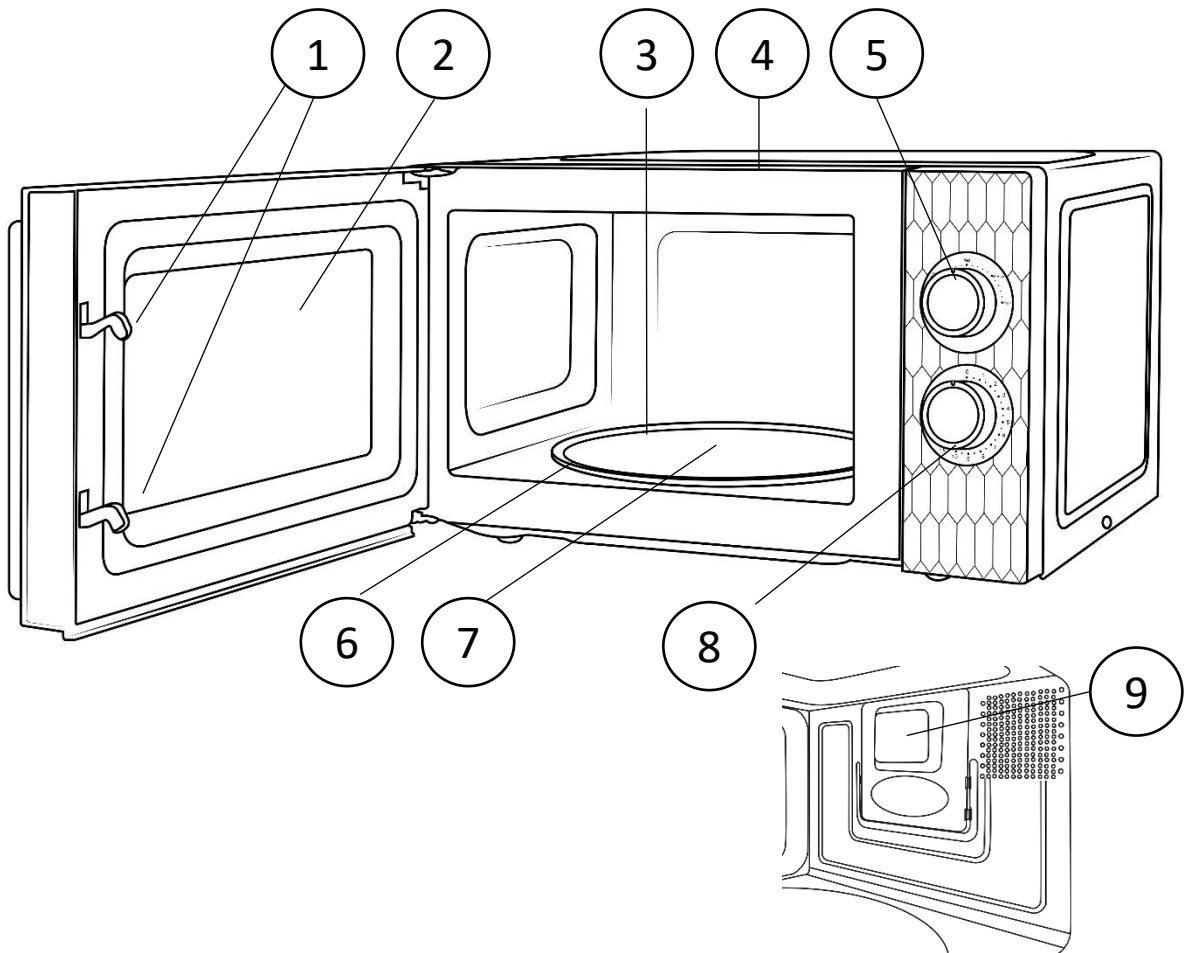
2. Überprüfen Sie den Herd nach dem Auspacken auf Sichtschäden wie:

- Eine nicht fluchtende Tür
- Schäden an der Tür
- Dellen oder Löcher an Türfenster oder Türrahmen
- Dellen im Innenraum

Falls Sie Schäden bemerken, **dürfen Sie den Herd nicht verwenden. Kontaktieren Sie bitte den Kundenservice unter europa@productcaregroup.com.**

Der Mikrowellenherd wiegt circa 11 kg. Die Unterlage, auf die Sie den Herd waagrecht aufstellen, muss dieses Gewicht tragen können. Der Herd darf nicht in der Nähe von starken Hitze- und Wasserdampfquellen stehen. Die Oberseite des Mikrowellenherdes muss frei bleiben.

PRODUKTÜBERSICHT



1. **Sicherheits-Schnappverschluss**
2. **Tür mit Fenster**
3. **Glas-Drehteller**
4. **Türrahmen Mikrowellenkasten**
5. **Leistungsstufenregler**
6. **Drehteller-Rollenkranz**
7. **Drehteller-Mitnehmer**
8. **Gardauerregler**
9. **Wellenleiterabdeckung aus Kunststoff**

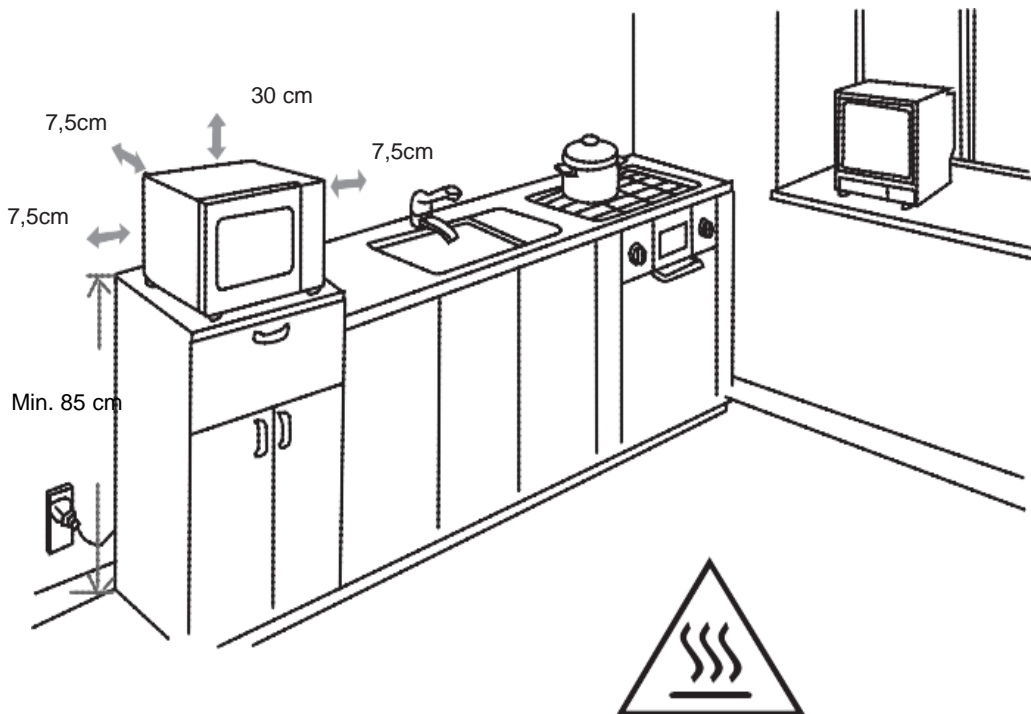
INSTALLATION DES MIKROWELLENHERDES

Die Mindestinstallationshöhe beträgt 85 cm.

Halten Sie an den Geräteseiten und an der Rückseite einen Mindestabstand von 7,5 cm ein. Halten Sie einen Mindestabstand von 30 cm an der Geräteoberseite ein.

WARNHINWEIS:

Installieren Sie den Herd **NICHT** über einem Kochherd oder anderen Wärme- oder Wasserdampfquellen. Diese könnten den Mikrowellenherd beschädigen.



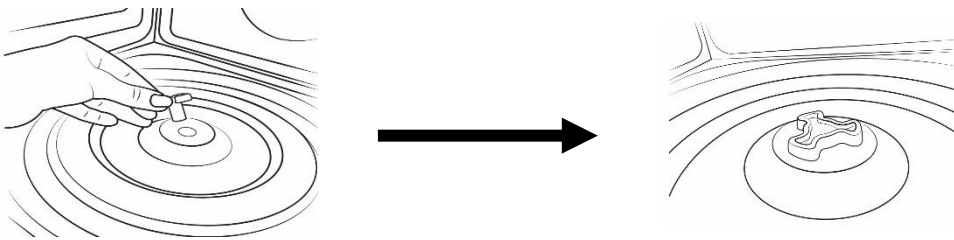
Die Lüfteröffnungen
der Mikrowelle
dürfen **NICHT**
abgedeckt
werden.

Dieses Symbol bedeutet
„VORSICHT: heiße
Oberfläche“

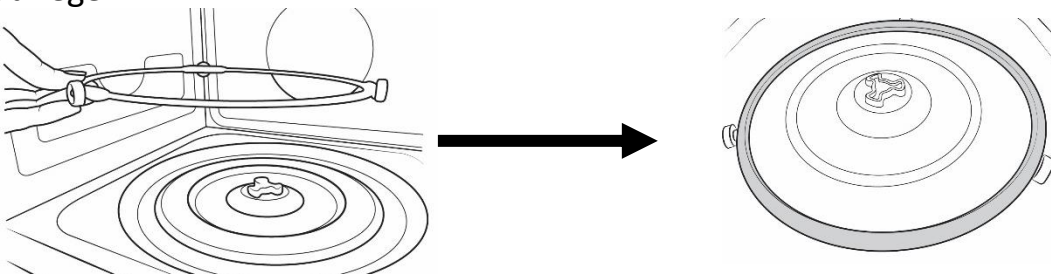
EINSETZEN DES DREHTELLERS

- Überprüfen Sie vor dem ersten Gebrauch, ob alle Transport-Klebestreifen und die Verpackung vollständig von Glas-Drehteller und Rollenkranzeinheit entfernt wurden.
- **Diese Teile müssen sich immer frei drehen können.**
- Legen Sie den Glasteller niemals verkehrt herum hinein.
- Beachten Sie bitte die folgenden Schritte zur Montage der Drehteller-Einheit.

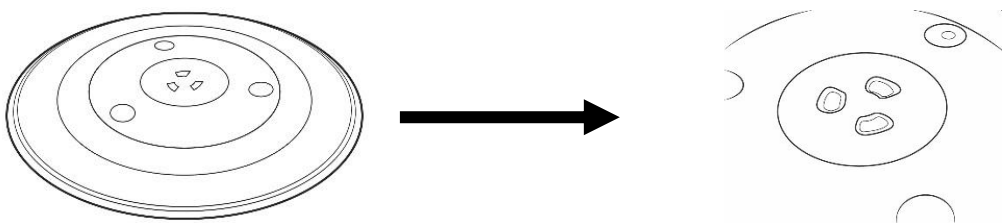
1. SCHRITT: Drehteller-Mitnehmer in die Garraumbodenmitte stecken



2. SCHRITT: Drehteller-Rollenkranz auf die Vertiefung im Garraumboden auflegen

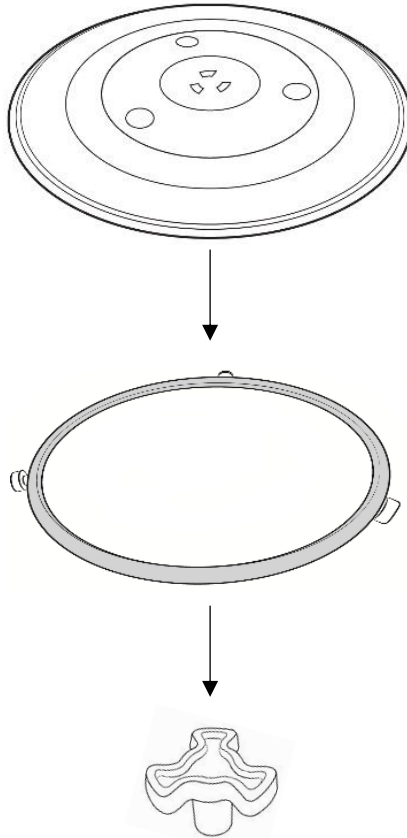


3. SCHRITT: Glas-Drehteller mittig auf den Drehteller-Mitnehmer aufsetzen



EINSETZEN DES DREHTELLERS

Die Einheit aus Glas-Drehteller, Rollenkranz und Mitnehmer muss während jedes Garvorgangs verwendet werden (siehe nachstehende Abbildung).

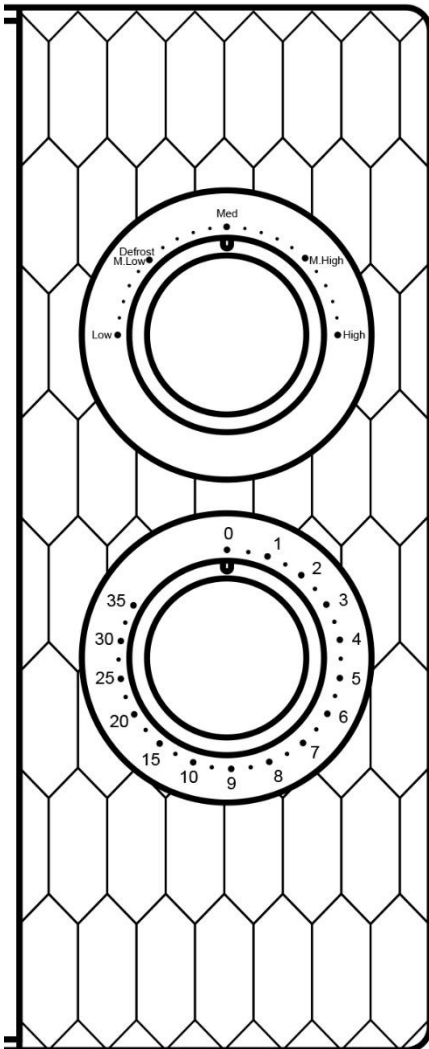


- Stellen Sie Lebensmittel nicht direkt auf den Glassteller, sondern immer auf oder in ein mikrowellengeeignetes Kochgeschirr.

Überprüfen Sie das Kochgeschirr vor Gebrauch bitte immer auf seine Mikrowelleneignung.

- Wenden Sie sich im Falle einer jeglichen Beschädigung von Glassteller oder Rollenkranz-Einheit bitte an das Kundenservice-Team unter der europa@productcaregroup.com

BEDIENFELD



Leistungsstufenregler

Die Auftaufunktion sowie die fünf Leistungsstufen werden über einen Leistungsstufen-Regler eingestellt. Je niedriger die Leistungsstufe, desto langsamer erhitzt die Mikrowelle das Gargut. Beachten Sie bitte bei der Auswahl der Einstellung die Hinweise auf der Lebensmittelverpackung.

Den Reglerpfeil zum Auftauen von Lebensmitteln auf **Defrost** (Auftauen) stellen.

GARDAUERREGLER

Um die eingestellte Dauer zu erhöhen, drehen Sie den Regler im Uhrzeigersinn. Sie können Ihre Gardauer auf bis zu 35 Minuten einstellen.

Der Pfeil am Regler zeigt an, wie viele Minuten Sie eingestellt haben. Jede Markierung am Kreis steht für zwei Minuten.

Sobald die Zeit abgelaufen ist, ertönt ein „Ping“-Ton an der Mikrowelle. Dies ist der Hinweis, dass die eingestellte Gardauer erreicht ist.

Falls Sie die Dauer auf weniger als zwei Minuten einstellen möchten, drehen Sie den Regler im Uhrzeigersinn über die 2-Minuten-Markierung hinaus und drehen ihn dann gegen den Uhrzeigersinn auf unter zwei Minuten zurück.

VERWENDUNG DER MIKROWELLE

- Geben Sie zu garende oder aufzutauende Lebensmittel in einen mikrowellengeeigneten Behälter. Decken Sie die Lebensmittel mit einem geeigneten Deckel oder einer mikrowellengeeigneten Frischhaltefolie ab (Frischhaltefolie mehrmals mit einer Gabel durchstechen).
- Stellen Sie den Behälter in den Mikrowellenherd und schließend Sie die Tür.
- Durch Betätigen des Reglers **POWER** (Leistungsstufe) die gewünschte Leistungsstufe auswählen.
- Durch Betätigen des Reglers **TIME** (Dauer) die gewünschte Gardauer auswählen. Beachten Sie die Herstellerhinweise auf der Verpackung. Die mögliche Höchstdauer beträgt 35 Minuten.
- Falls Sie Lebensmittel kürzer als zwei Minuten garen möchten, drehen Sie den Regler **TIME** (Dauer) über die 2-Minuten-Einstellung hinaus und drehen ihn dann auf die benötigte Dauer zurück.
- Sobald die Gardauer eingestellt wurde, beginnt die Mikrowelle den Gar- oder Auftauvorgang.
- Durch Öffnen der Tür können Sie den Gar- oder Auftauvorgang jederzeit unterbrechen und das Gargut umrühren oder nachsehen, wie weit das Gargut bereits gar ist. Der Mikrowellenherd setzt den Garzyklus für die verbleibende Gardauer automatisch fort, sobald Sie die Tür wieder schließen.
- Nach Ablauf der Gardauer ertönt ein Signalton und der Mikrowellenherd schaltet automatisch aus.
- Lassen Sie das Gargut 30 Sekunden bis eine Minute ruhen. Rühren Sie Flüssigkeiten vor dem Servieren nochmal um.
- Falls der Regler eine Restdauer aufweist, drehen Sie den Regler zurück auf die Null. Dabei ertönt an der Mikrowelle ein Signalton.

LEISTUNGSSTUFE einstellen	Leistungsäquivalent
Niedrig	17 %
Defrost (Auftauen)	30 %
Mittel-Niedrig	30 %
Mittel	55 %
Mittel-Hoch	80 %
Hoch	100 %

KOCHTIPPS

Tipps zum Auftauen

Die Mikrowellen durchdringen die meisten Lebensmittel circa 4 cm tief. Um das Auftauen möglichst effektiv zu gestalten, gehen Sie wie folgt vor:

1. Um gleichmäßig aufzutauen, sollten größere Lebensmittelstücke regelmäßig gewendet werden.
2. Lebensmittel mit einem Gewicht von über 500 g sollten Sie mindestens zweimal wenden.
3. Aufgetaute Lebensmittel sollten baldmöglichst verbraucht werden. Es ist nicht ratsam, sie in den Kühlschrank oder Gefrierschrank zurückzustellen.

Kochtipps - Die folgenden Faktoren können das Garergebnis beeinträchtigen:

Anordnung der Lebensmittel

Platzieren Sie größere Lebensmittelstücke möglichst am Tellerrand und kleinere Stücke eher in der Mitte. Verteilen Sie das Gargut möglichst gleichmäßig auf dem Kochgeschirr. Wenn möglich Lebensmittel nicht übereinander legen, da diese dadurch ungleichmäßig gegart werden.

Gardauer

Falls Sie mit der Gardauer nicht sicher sind, beginnen Sie am besten mit einer kurzen Garzeit. Überprüfen Sie den Garfortschritt, bevor Sie die Dauer verlängern. Zerkochtes Gargut kann eine Brandgefahr darstellen. Vergewissern Sie sich vor dem Verzehr, dass das Gargut richtig durchgekocht ist.

Garen Sie Lebensmittel gleichmäßig

Um einen gleichmäßigen Garvorgang zu gewährleisten, sollten Lebensmittel wie beispielsweise Fleisch regelmäßig gewendet werden. Bei wasserhaltigen Lebensmitteln empfiehlt sich ein Umrühren während des Garvorgangs.

Ruhezeit für Gargut

Sobald der Mikrowellen-Garvorgang beendet ist, sollten Sie das Gargut eine angemessene Zeit ruhen lassen, um den Garvorgang abzuschließen und das Gargut leicht abkühlen zu lassen.

DIE MIKROWELLE REINIGEN

- Schalten Sie den Herd vor einer Reinigung zuerst **aus und ziehen Sie den Netzstecker.**
- Halten Sie den Garraum sauber. An den Garraumwänden haftende Lebensmittel oder Flüssigkeiten sollten Sie mit einem feuchten Tuch abwischen. Verwenden Sie möglichst keine aggressiven Reiniger oder Scheuermittel.
- An der rechten Innenraumwand befindet sich die Wellenleiterabdeckung. Diese gibt Mikrowellen ab und gart damit Ihre Speisen. Die Wellenleiterabdeckung ist unbedingt sauber zu halten. Wischen Sie sie mit einem milden Reiniger und Wasser ab und trocknen Sie nach.
- Reinigen Sie die Außenflächen des Herdes mit einem feuchten Tuch. **Achten Sie darauf, dass kein Wasser in die Lüfteröffnungen eindringt.**
- **An das Bedienfeld darf keine Nässe gelangen.** Mit einem weichen, feuchten Tuch reinigen. Verwenden Sie auf dem Bedienfeld keine Reinigungsmittel, Scheuermittel oder Sprühreiniger.
- Wasserdampf, der sich innen oder außen an der Herdtür absetzt, wischen Sie mit einem weichen Tuch ab. Das kann auftreten, wenn der Mikrowellenherd in einer Umgebung mit hoher Luftfeuchtigkeit verwendet wird.
- Nehmen Sie den Glas-Drehteller regelmäßig zum Reinigen heraus. Waschen Sie ihn in warmem Seifenwasser. Reinigen Sie Drehteller-Aufnahme und Garraumboden regelmäßig. Wischen Sie dazu einfach den Garraumboden mit mildem Reiniger und Wasser ab und trocknen Sie nach. Sie können die Drehteller-Aufnahme in mildem Seifenwasser reinigen.
- Nach dem Herausnehmen der Drehteller-Aufnahme darauf achten, diese wieder richtig einzusetzen.
- Falls der Garraum Gerüche aufweist, stellen Sie eine Tasse mit Wasser sowie dem Saft und der Schale einer Zitrone in einer tiefen, mikrowellengeeigneten Schüssel in das Gerät. Garen Sie die Flüssigkeit drei Minuten lang. Anschließend den Garraum auswischen und mit einem weichen Tuch nachtrocknen.

WICHTIGE INFORMATIONEN ZUM KÜCHENGESCHIRR

- Verwenden Sie keine Metallpfannen oder Kochgeschirr mit Metallgriffen.
- Verwenden Sie keine Gegenstände mit Metallrand.
- Verwenden Sie keine papierüberzogenen Drahtverschlüsse, wie sie zum Schließen von Kunststoffbeuteln eingesetzt werden.
- Verwenden Sie kein Melamingeschirr. Dieses enthält mikrowellenabsorbierendes Material. Das Geschirr könnte zerbrechen oder Feuer fangen. Außerdem verlangsamt es die Gargeschwindigkeit.
- Verwenden Sie nur mikrowellengeeignetes Kochgeschirr.
- Kochen Sie nicht in Behältern mit schmaler Öffnung (beispielsweise Flaschen), da diese explodieren können.
- Erhitzen Sie Babyfläschchen nicht mit dem Nuckelaufsatz daran. Nehmen Sie den Nuckelaufsatz ab, falls Sie das Fläschchen in das Gerät stellen.
- Verwenden Sie nur mikrowellengeeignete Thermometer.
- Verwenden Sie den Mikrowellenherd nicht zum Aufwärmen von Kochutensilien.

FEHLERBEHEBUNG



WARNHINWEIS: Um das Körperverletzungsrisiko zu senken, ist die Mikrowelle vor Wartungsarbeiten oder bei der Fehlersuche immer erst vom Stromnetz zu trennen.

Der Mikrowellenherd kann Empfangsstörungen bei Ihrem Radio, Fernseher oder ähnlichen Geräten verursachen. Stellen Sie zum Beheben der Empfangsstörungen Radio, Fernseher oder andere Geräte so weit wie möglich von Ihrem Mikrowellenherd entfernt auf.

Problem	Mögliche Ursache	Mögliche Lösung
Die Mikrowelle funktioniert nicht.	1. Die Mikrowelle ist nicht in die Steckdose eingesteckt worden.	Vergewissern Sie sich, dass die Mikrowelle in die Steckdose eingesteckt und der Steckdosenschalter eingeschaltet ist. Falls nicht, ziehen Sie den Netzstecker, warten Sie zehn Sekunden und stecken Sie ihn dann wieder sicher ein.
	2. Der Stecker funktioniert nicht.	Eventuell ist die Steckdose defekt, an der die Mikrowelle angeschlossen wurde. Stecken Sie den Mikrowellenstecker in eine andere Steckdose, von der Sie wissen, dass sie funktioniert. Stellen Sie die Steckdose an und überprüfen Sie die Mikrowelle erneut auf Funktion.
	3. Die Steckersicherung ist durchgebrannt oder eine Sicherung am Stromkreislauf ist durchgebrannt/wurde ausgeworfen	Überprüfen Sie den Stecker auf eine durchgebrannte bzw. den Sicherungskasten auf eine ausgeworfene Sicherung. Falls beide in Ordnung sind, testen Sie die Steckdose mit einem anderen Gerät.
	4. Bei der Mikrowelle ist ein Defekt aufgetreten.	Wenden Sie sich für eine mögliche Behebung des Defekts an den Kundenservice. Falls keine Lösung gefunden werden konnte und das Gerät noch Garantie hat, geben Sie die Mikrowelle zum Umtausch bzw. zur Rückerstattung an den Händler zurück, bei dem Sie das Gerät gekauft haben.
Die Mikrowelle lässt sich nicht einschalten.	1. Die Tür ist nicht geschlossen.	Machen Sie die Tür richtig zu. Ansonsten kann die Mikrowelle nicht bedient werden oder arbeiten.
	2. Der Gardauerregler wurde nicht eingestellt.	Zum Einstellen der Gardauer, und um den Garvorgang zu starten, müssen Sie den Regler im Uhrzeigersinn drehen.
Gerät erzeugt keine Wärme	Magnetron funktioniert nicht	Das die Mikrowellen erzeugende Bauteil ist ein Magnetron. Wird Gargut nicht erhitzt oder ist es nur lauwarm, ist dieses Bauteil möglicherweise defekt. Falls die Mikrowelle noch Garantie hat, wenden Sie sich für weitere Informationen bitte an den Kundenservice oder geben Sie das Gerät zum Umtausch bzw. zur Rückerstattung an den Händler zurück, bei dem Sie es gekauft haben.

FEHLERBEHEBUNG

Problem	Mögliche Ursache	Mögliche Lösung
Funkenbildung	1. Verbrannte Lebensmittelreste	<p>Verschüttete oder verspritzte Lebensmittel oder Flüssigkeiten können verbrennen oder in Brand geraten. In der Mikrowelle gegarte Speisen müssen daher angemessen abgedeckt werden. Verschüttungen oder Spritzer müssen aufgewischt und die Mikrowelle muss nach jedem Gebrauch gereinigt werden.</p> <p>Angebrannte Lebensmittelreste im Garraum der Mikrowelle bzw. auf und hinter dem Wellenleiter können Funken im Gerät verursachen. Das liegt daran, dass Mikrowellenstrahlen gebündelt auf Lebensmittelreste auftreffen und Funken auslösen können.</p> <p>Die Mikrowelle ist nach jedem Gebrauch gründlich zu reinigen, um sicherzustellen, dass keine angebrannten Lebensmittel in der Mikrowelle verbleiben.</p> <p>Bei Funkenbildung in der Mikrowelle <u>muss</u> der Wellenleiter entsorgt werden. Reinigen Sie die Mikrowelle gründlich und wenden Sie sich zwecks Umtausch des Wellenleiters an den Kundenservice.</p> <p>Sobald der Ersatzteil-Wellenleiter eingebaut wurde, sollte die Mikrowelle wieder normal funktionieren. Falls jedoch nach dem ersten Gebrauch erneut Funken auftreten (nach Austausch des Wellenleiters und Reinigung der Mikrowelle), wenden Sie sich bitte zur weiteren Abhilfe an den Kundenservice.</p>
	2. Metall oder Folie	<p>Weder Metall noch Folie dürfen im Innenraum der Mikrowelle eingesetzt werden, da sie Funken verursachen und die Mikrowelle beschädigen könnten.</p> <p>Das einzige zugelassene Metallzubehör, das im Garraum verwendet werden darf, sind die vom Hersteller mitgelieferten Artikel.</p>
	3. Druckaufbau in Gargut	<p>Gargut mit undurchlässiger Haut (wie zum Beispiel Kartoffeln) muss mehrmals eingestochen werden, damit Dampf entweichen kann. Durch den sich unter der Schale aufbauenden Druck können Lebensmittel explodieren und eine Brandgefahr darstellen.</p>
Hitzepunkte	Betrieb ohne Gargut oder ohne Flüssigkeit	<p>Eine Mikrowelle darf nicht ohne Gargut laufen und benötigt zum ordnungsgemäßen Betrieb Flüssigkeit.</p> <p>Wird eine Mikrowelle leer betrieben oder verwendet, um Teller zu erwärmen (nicht erlaubt), treffen die Mikrowellenstrahlen gebündelt auf nur eine Stelle im Inneren der Mikrowelle auf. Dadurch können sich Hitzepunkte bilden und die Stelle in der Mikrowelle kann sich verformen, verziehen oder zu schmelzen beginnen.</p> <p>Wird eine Mikrowelle leer betrieben oder zum Aufwärmen von Fremdkörpern verwendet, erlischt die Garantie.</p>

FEHLERBEHEBUNG

Problem	Mögliche Ursache	Mögliche Lösung
Kondenswasserbildung oder überschüssiges Wasser	1. Garende Lebensmittel	Aufgrund der Funktionsweise einer Mikrowelle „stimulieren“ die Wellen die im Gargut enthaltenen Wassermoleküle. Diese beginnen zu schwingen und erhitzen das Gargut. Ab einer bestimmten Gartemperatur geben Lebensmittel Wasserdampf ab. Je nach Gargut (und dessen Wasseranteil) und Gardauer – und somit je nach Wasserdampfhöhe – ist eine gewisse Kondenswassermenge, die zur Tröpfchenbildung im Garraum führt, nicht vermeidbar. Die Tröpfchen schlagen an den Innenwänden bzw. meist an der Innenseite der Glastür nieder. Werden sie nicht weggewischt, können diese Tröpfchen kleine „Wasserpfützen“ bilden.
	2. Abgedeckte Lüfteröffnungen	Durch die Lüfteröffnungen können Wärme und Wasserdampf aus der Mikrowelle entweichen. Werden die Öffnungen abgedeckt, bildet sich im Inneren der Mikrowelle zu viel Feuchtigkeit und die Mikrowelle überhitzt. Wird die Installationsanleitung der Gebrauchsanleitung nicht befolgt, erlischt die Garantie.
Lackschäden/ -absplitterung	Wartung	Falls die Mikrowelle noch Garantie hat, wenden Sie sich für weitere Informationen bitte an den Kundenservice oder geben Sie das Gerät zum Umtausch bzw. zur Rückerstattung an den Händler zurück, bei dem Sie es gekauft haben.
Licht funktioniert nicht	Glühbirne funktioniert nicht	Aufgrund der Bauweise einer Mikrowelle und bestimmter „gefährlicher“ Bauteile im Inneren des Geräts kann die Glühbirne nur von einem qualifizierten Servicetechniker ausgetauscht werden. Falls die Mikrowelle noch Garantie hat, wenden Sie sich für weitere Informationen bitte an den Kundenservice oder geben Sie das Gerät zum Umtausch bzw. zur Rückerstattung an den Händler zurück, bei dem Sie es gekauft haben.
Überhitzung	Abgedeckte Lüfteröffnungen	Durch die Lüfteröffnungen können Wärme und Wasserdampf aus der Mikrowelle entweichen. Werden die Öffnungen abgedeckt, bildet sich im Inneren der Mikrowelle zu viel Feuchtigkeit und die Mikrowelle überhitzt. Wird die Installationsanleitung der Gebrauchsanleitung nicht befolgt, erlischt die Garantie.

FEHLERBEHEBUNG

Problem	Mögliche Ursache	Mögliche Lösung
Tür schließt nicht/ verriegelt nicht	1. Glas-Drehteller ist falsch eingesetzt	Stellen Sie sicher, dass der Glas-Drehteller richtig auf dem Mitnehmer sitzt und sich die Tür gut schließen lässt.
	2. Türriegel sind verbogen	Falls die Mikrowelle noch Garantie hat, wenden Sie sich für weitere Informationen bitte an den Kundenservice oder geben Sie das Gerät zum Umtausch bzw. zur Rückerstattung an den Händler zurück, bei dem Sie es gekauft haben.
Drehteller dreht sich nicht	1. Der Drehteller-Mitnehmer wurde nicht richtig eingesetzt oder ein Klebeband wurde nicht entfernt.	Überprüfen Sie, ob der Drehteller-Mitnehmer richtig sitzt und ob alle Transportbänder entfernt wurden.
	2. Drehteller-Rollenkranz nicht oder nicht richtig eingesetzt	Überprüfen Sie, ob der Mitnehmer unter dem Drehteller liegt und richtig eingesetzt wurde.
	3. Glas-Drehteller ist falsch eingesetzt	Überprüfen Sie, ob der Glas-Drehteller richtig auf dem Mitnehmer sitzt.
	4. Am Mitnehmer ist ein Defekt aufgetreten	Falls die Mikrowelle noch Garantie hat, wenden Sie sich für weitere Informationen bitte an den Kundenservice oder geben Sie das Gerät zum Umtausch bzw. zur Rückerstattung an den Händler zurück, bei dem Sie es gekauft haben.
Zu laut	1. Glas-Drehteller ist falsch eingesetzt	Stellen Sie sicher, dass der Glas-Drehteller richtig auf dem Mitnehmer sitzt und während des Betriebs Wände bzw. Tür der Mikrowelle nicht berührt.
	2. Geschirr/Teller zu groß für die Mikrowelle	Stellen Sie sicher, dass nur Geschirr/Teller verwendet werden, die für die Größe der Mikrowelle geeignet sind. Diese dürfen Wände/Tür der Mikrowelle während des Betriebs nicht berühren.

GARANTIE UND KUNDENSERVICE

Dieses Produkt hat ab Original-Kaufdatum eine **12-monatige** Garantie. Tritt aufgrund von Material- oder Verarbeitungsfehlern ein Defekt auf, muss das fehlerhafte Produkt zur Verkaufsstelle zurückgebracht werden.

Ob eine Rückerstattung oder aber ein Umtausch erfolgt, liegt im Ermessen des Händlers.

Es gelten die folgenden Bedingungen:

- Das Produkt muss zusammen mit dem Original-Kaufbeleg an den Händler zurückgegeben werden.
- Das Produkt ist gemäß den Hinweisen in dieser Gebrauchsanleitung und allen weiteren ggf. mitgelieferten Anleitungen zu installieren und zu nutzen.
- Das Gerät ist nur für den Hausgebrauch bestimmt und darf nur für seinen bestimmungsgemäßen Gebrauch eingesetzt werden.
- Diese Gewährleistung schließt Abnutzung, Beschädigungen, Missbrauch bzw. Verschleißteile aus.

Ihre gesetzlichen Ansprüche bleiben davon unberührt.

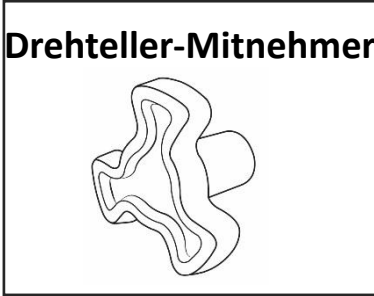
Kundenservice und Ersatzteile:

Region	Kontakt	Website
UK und Nord-Irland	0345 209 7461	mda.russellhobbs.com
Irland	1 800 938982	ie.mda.russellhobbs.com
Sonstige europäische Länder	europe@productcaregroup.com	de.mda.russellhobbs.com fr.mda.russellhobbs.com es.mda.russellhobbs.com it.mda.russellhobbs.com nl.mda.russellhobbs.com

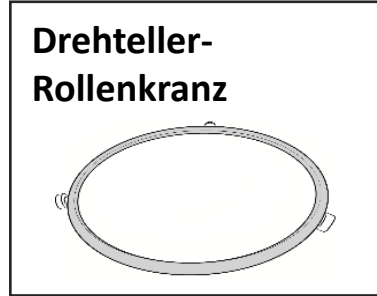
ERSATZTEILE

Zur Anfrage nach der Verfügbarkeit der folgenden Ersatzteile wenden Sie sich einfach an unser freundliches Kundenservice-Team unter der europa@productcaregroup.com.

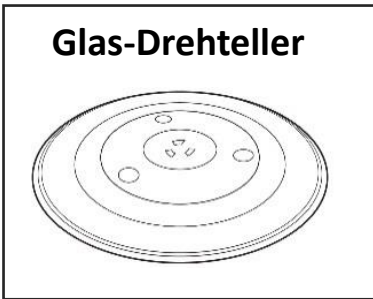
Drehteller-Mitnehmer



Drehteller-Rollenkranz



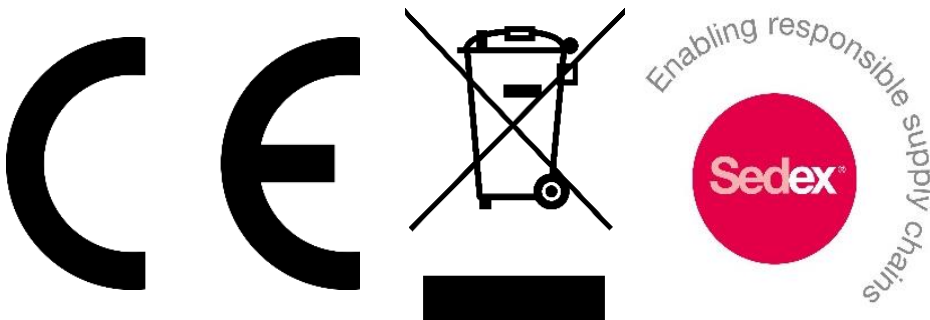
Glas-Drehteller





Russell Hobbs

Hergestellt von Product Care Trading Limited unter Lizenz von Spectrum Brands (UK) Limited. Product Care Trading Ltd, Unit 1, Green Bank Business Park, Swan Lane, Hindley Green, Wigan, WN2 4AY, Vereinigtes Königreich / Product Care (Ireland) Ltd, Unit 3D North Point House, North Point Business Park, New Mallow Road, Cork, T23 AT2P, Irland. Russell Hobbs ist die eingetragene Handelsmarke von Spectrum Brands (UK) Ltd.



Das „Mülltonnen“-Symbol ist auch als „durchgestrichene Mülltonne“ bekannt. Auf einem Produkt oder auf Batterien/Akkus bedeutet das Symbol, dass dieses Produkt bzw. diese Batterien/Akkus nicht über den Hausmüll entsorgt werden dürfen. Entsorgen Sie elektrische/elektronische Geräte bzw. Batterien/Akkus über eigene Wertstoffsammelstellen, in denen die Rückgewinnung und das Recycling der Einzelbestandteile erfolgen. Ihre Mitwirkung ist für den Erfolg des Materialkreislaufs und für den Schutz der Umwelt ausschlaggebend. Ihre nächstgelegene Wertstoffsammelstelle erfahren Sie bei Ihrer Gemeinde.

Alternativ erkundigen Sie sich am besten in der Filiale.

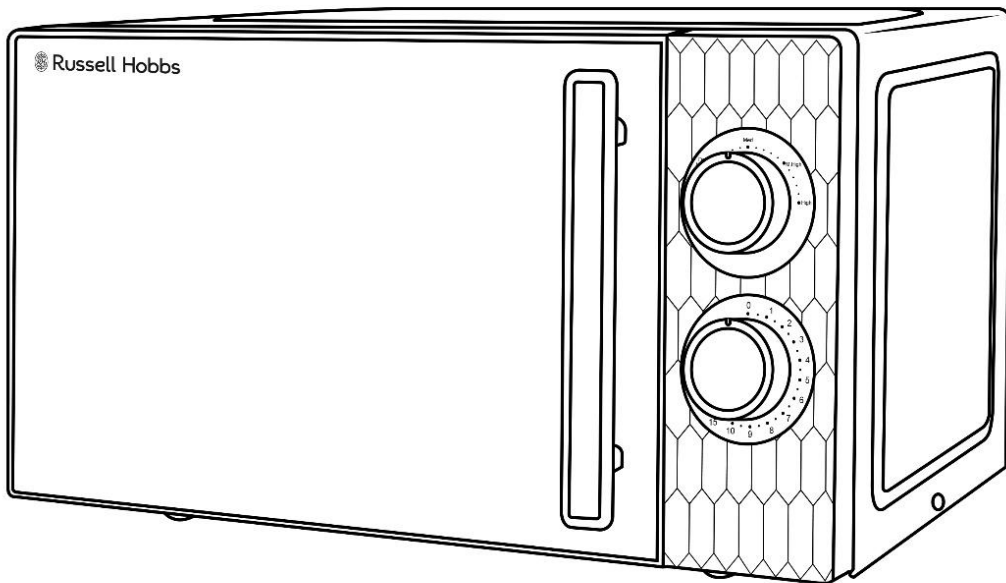
SEDEX verbindet Unternehmen und ihre weltweiten Lieferanten zum Zweck des Austausches von Ethikdaten, um eine Verbesserung der ethischen Leistungen zu erreichen. Weitere Informationen finden Sie auf www.sedex.org.uk.

Bei etwaigen baulichen Veränderungen am Gerät behalten wir uns das Recht vor, die Gebrauchsanleitung ohne vorherige Ankündigung abzuändern.



Russell Hobbs

Honeycomb Microondas manual compacto Guía del usuario



Número de modelo:
RHMM715 (-EUAZ), (B-EUAZ)

**CONSERVAR PARA FUTURAS
CONSULTAS**

ÍNDICE DE CONTENIDOS

	Página(s)
Instrucciones de seguridad	60-67
Acerca de su microondas	68-69
Información del producto	70
Desembalado del microondas	71
Resumen del producto	72
Instalación del horno microondas	73
Instalación de la plataforma giratoria	74-75
Panel de control	76
Uso del microondas	77
Consejos para cocinar	78
Limpieza del microondas	79
Información importante sobre los utensilios	80
Resolución de problemas	81-84
Garantía y servicios de atención al cliente	85
Repuestos	86
Información para la eliminación	87

INSTRUCCIONES DE SEGURIDAD

INSTRUCCIONES DE SEGURIDAD IMPORTANTES LEER CUIDADOSAMENTE Y CONSERVAR PARA FUTURAS CONSULTAS

ADVERTENCIA:

- Si la puerta o sus juntas están dañadas, el horno no debe utilizarse hasta haber sido reparado por una persona competente.
- A menos que se tengan las competencias adecuadas, es peligroso efectuar operaciones de servicio o reparación que conlleven la extracción de una cubierta que protege frente a la exposición a la energía de microondas.
- Los líquidos y otros alimentos no deben calentarse en recipientes sellados, pues podrían explotar.
- El aparato y sus partes accesibles pueden calentarse durante el uso. Debe evitar el contacto con elementos que desprenden calor.
- No deje el horno microondas desatendido mientras lo está usando.
- No utilice el microondas si está vacío. Esto podría dañar el horno.
- Este aparato está destinado para el uso en el hogar y en aplicaciones domésticas en general. No está destinado para el uso en aplicaciones industriales o comerciales.

INSTRUCCIONES DE SEGURIDAD

LEER CUIDADOSAMENTE Y CONSERVAR PARA FUTURAS CONSULTAS

ADVERTENCIA:

- Este microondas está destinado a calentar alimentos y bebidas únicamente. Es extremadamente peligroso secar comida o ropa, así como calentar almohadillas térmicas, sacos de trigo, zapatillas, esponjas, paños húmedos y similares, pudiendo provocar lesiones, ignición o fuego.
- No utilice sartenes metálicas, vajilla con asas de metal ni objetos con bordes metálicos dentro del microondas. No utilice cierres de alambre cubiertos de papel para bolsas de plástico.
- Nunca coloque objetos en las aberturas de la carcasa exterior.
- Este aparato puede ser utilizado por niños a partir de 8 años de edad y personas con capacidades físicas, sensoriales o mentales reducidas, así como por personas que no cuenten con la experiencia y los conocimientos necesarios, solamente si son supervisados o han sido instruidos en el uso del aparato de forma segura, y comprendan los peligros asociados. Los niños no deben jugar con el aparato.
- Los alimentos que contengan una mezcla de grasa y agua (por ejemplo, caldos) deben dejarse de 30 a 60 segundos en el horno después del apagado. Esto se hace para permitir que la mezcla se asiente y para evitar que burbujee cuando se le introduce una cuchara o se añade una pastilla de caldo.

INSTRUCCIONES DE SEGURIDAD

LEER CUIDADOSAMENTE Y CONSERVAR PARA FUTURAS CONSULTAS

ADVERTENCIA:

- Al calentar o cocinar alimentos o líquidos, recuerde que hay ciertos alimentos (como mermelada, pudín o carne picada) que se calientan muy rápido.
- El calentamiento de bebidas mediante microondas puede dar lugar a una ebullición eruptiva retardada, por lo que debe tenerse cuidado al manejar el recipiente.
- El contenido de biberones y tarros de comida de bebé deben removerse o agitarse, y su temperatura debe comprobarse antes de proceder al consumo, a fin de evitar quemaduras. No caliente biberones con la tetina colocada. Retírela si vuelve a colocar el biberón en el horno.
- Los huevos en su cáscara y los huevos cocidos enteros no se deben calentar en hornos microondas, pues pueden explotar, incluso después de haber finalizado el calentamiento por microondas.
- No cocine alimentos que estén rodeados de membrana, como yemas de huevo, patatas, hígado de pollo, salchichas, platos preparados y similares sin perforarlos antes varias veces con un tenedor.
- No intente freír alimentos en este horno microondas.
- No cocine en exceso los alimentos.

INSTRUCCIONES DE SEGURIDAD

LEER CUIDADOSAMENTE Y CONSERVAR PARA FUTURAS CONSULTAS

ADVERTENCIA:

- Al calentar comida en recipientes de plástico o de papel, vigile el horno debido a la posibilidad de ignición.
- Si los materiales dentro del horno desprenden humo o se incendian, mantenga cerrada la puerta del horno para sofocar las llamas, apague el horno en el interruptor de pared, o desconecte la alimentación en la caja de fusibles. Si se desprende humo, apague o desconecte el aparato y mantenga la puerta cerrada para sofocar posibles llamas.
- Recuerde que al calentarse los alimentos o líquidos, liberarán vapor o pueden salpicar. Nunca cubra un recipiente totalmente, deje siempre una rendija para que escape el vapor.
- No utilice recipientes de plástico al calentar o cocinar alimentos que contengan mucha grasa o azúcar.
- Mantenga siempre colocados la plataforma giratoria de vidrio y el soporte de la plataforma giratoria cuando utilice el horno microondas.
- No cocine alimentos directamente sobre la plataforma giratoria de vidrio. Coloque los alimentos en una bandeja o bol adecuados antes de introducirlos en el horno.

INSTRUCCIONES DE SEGURIDAD

LEER CUIDADOSAMENTE Y CONSERVAR PARA FUTURAS CONSULTAS

ADVERTENCIA:

- No utilice platos de melamina, pues contienen un material que puede absorber la energía de microondas. Esto puede hacer que los platos se agrieten o se quemem, y ralentizarán la velocidad de cocinado.
- Utilice solamente utensilios de cocina que estén aprobados para el uso en un horno microondas.
- No utilice el horno microondas para calentar utensilios, bandejas o vajilla.
- No cocine en un recipiente de apertura limitada, como botellas, pues pueden explotar.
- Antes de limpiar su horno microondas, apáguelo y desenchúfelo.
- Mantenga limpio el interior del horno. Cuando la comida o los líquidos se adhieran a las paredes de horno, límpielos con un paño húmedo. No se recomienda la utilización de detergentes fuertes o productos abrasivos.

INSTRUCCIONES DE SEGURIDAD

LEER CUIDADOSAMENTE Y CONSERVAR PARA FUTURAS CONSULTAS

ADVERTENCIA:

- En la pared derecha de la cavidad se encuentra la tapa de plástico de la guía de ondas, a través de la cual pasan las microondas para la cocción de los alimentos. **Es importante que esta tapa de la guía de ondas esté limpia en todo momento.** Para ello, frótela con detergente suave y agua, y después séquela.
- El horno debe limpiarse regularmente retirando toda comida acumulada. Si el horno no se mantiene limpio, su superficie se puede deteriorar, lo cual podría perjudicar la duración del aparato y dar lugar a situaciones peligrosas.
- El exterior del horno debe limpiarse con un paño húmedo. No deje que se filtre agua por las aberturas de ventilación.
- No utilice productos de limpieza abrasivos ni rascadores de metal afilados para limpiar el vidrio de la puerta del horno, pues pueden arañar la superficie, lo cual puede provocar la rotura del vidrio.
- Si se condensa vapor en el interior o por la parte externa de la puerta del horno, frote con un paño suave. Esto puede suceder si el horno microondas se utiliza en condiciones de humedad.

INSTRUCCIONES DE SEGURIDAD

LEER CUIDADOSAMENTE Y CONSERVAR PARA FUTURAS CONSULTAS

ADVERTENCIA:

- Retire regularmente la bandeja de vidrio para limpiarla. Lávela con agua templada jabonosa o en el lavaplatos. Limpie regularmente el soporte de la plataforma giratoria y el suelo del horno. Frote simplemente la superficie inferior del horno con un detergente suave y agua, y después séquela. El soporte de la plataforma giratoria se puede lavar con agua y jabón suave.
- Si el horno no se mantiene limpio, en particular, si se dejan líquidos bajo la plataforma giratoria, su superficie se puede deteriorar, lo cual perjudicará la duración del aparato y dará lugar a situaciones peligrosas.
- Los niños no deben jugar con el aparato. La limpieza y el mantenimiento no deben ser realizados por niños sin supervisión.
- Si el cable de alimentación está dañado, el fabricante, el agente del servicio técnico o una persona con una cualificación similar debe sustituirlo para evitar riesgos.

ACERCA DE SU MICROONDAS

Le agradecemos la adquisición de su horno microondas Russell Hobbs.

Con su diseño práctico y elegante, el RHMM715 forma parte de una colección de desayuno de gama alta. Va a juego con el hervidor y la tostadora Honeycomb. El diseño, inspirado en un panal de miel, combina un llamativo diseño en relieve con unos toques de acero inoxidable que le aportan un toque de estilo a su cocina.

Una vez que haya preparado el microondas para el primer uso, solo tiene que colocar los alimentos en un recipiente adecuado, abrir la puerta y colocarlos en el plato giratorio. A continuación, gire los sencillos mandos que se encuentran en el panel de control para seleccionar la potencia y el tiempo requeridos para la cocción. Con la luz interior del microondas puede ver cómo progresa la cocción.

Una vez que el ciclo de cocción ha finalizado, la cómoda función de aviso del microondas se lo comunicará con un sonido. ¡Y eso es todo! Cocinar nunca fue tan fácil.

Con el RHMM715 podrá adecuar su forma de cocinar a cada una de sus recetas mediante los 5 niveles de potencia disponibles para elegir. Tiene una capacidad de 17 l y 700 W de potencia que le permiten recalentar todo tipo de platos en cuestión de minutos. Como funcionalidad adicional, también se dispone de un ajuste de descongelación, que es fundamental para ahorrarle tiempo, de forma que pueda cocinar sus platos directamente del congelador.

Fácil de limpiar: solo tiene que frotar con un paño húmedo para mantenerlo en condiciones excelentes. Elija el RHMM715 si desea la máxima comodidad al cocinar con microondas.

ACERCA DE SU MICROONDAS

¿Cómo funcionan las microondas?

Las microondas son ondas electromagnéticas de alta frecuencia similares a las ondas de radio. Mientras que las ondas de radio pueden tener longitudes que varían entre un metro y varios kilómetros, las microondas son de longitud muy corta (menos de 12,5 centímetros).

Las microondas no producen calor por sí mismas, pero hacen que vibren las moléculas de agua presentes en los alimentos.

Esta vibración produce el calor que cocina el alimento. Esta es la razón por la que el alimento sale del microondas muy caliente, mientras que los utensilios del interior del horno permanecen mucho más fríos. Las microondas no permanecen en el aire ni en el alimento cuando abre la puerta del horno microondas.

El horno microondas funcionará utilizando una toma eléctrica doméstica de tipo habitual. Dentro del horno microondas se encuentra un magnetrón, que transforma la energía eléctrica en microondas.

Las microondas no se propagan por el metal, de forma que el interior del horno está forrado de metal. La puerta está forrada con una fina malla metálica, que detiene las microondas para que no la atraviesen. Esto significa que si la puerta del microondas está cerrada, no hay posibilidad de que las microondas se liberen.

INFORMACIÓN DEL PRODUCTO

Tensión nominal	AC230 V/50 Hz
Potencia nominal de entrada (microondas)	1100 W
Potencia nominal de salida (microondas)	700 W
Capacidad del horno	17L
Diámetro de la plataforma giratoria	25,5cm
Dimensiones exteriores (Al x An x P)	26,1 x 45,5 x 35,2 (cm)
Peso neto, aprox.	11 kg
Número de niveles de potencia	5 incluida la descongelación
Accesorios incluidos	Acoplamiento de la plataforma giratoria Anillo de la plataforma giratoria Bandeja de vidrio

Consumo de energía

Información de producto sobre consumo de energía y el tiempo máximo para alcanzar el modo de bajo consumo aplicable.

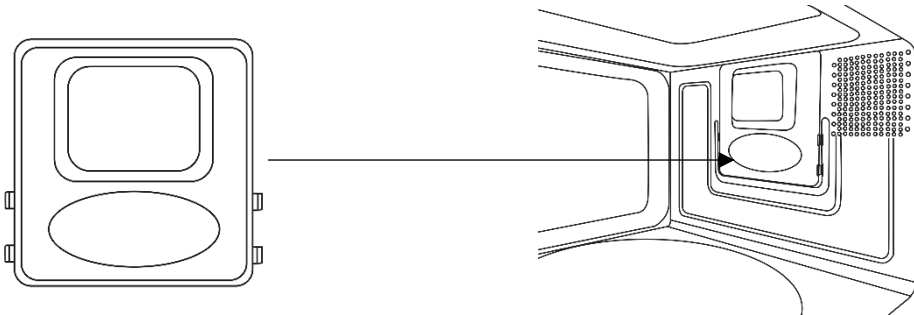
Modo apagado	0.3 W
---------------------	-------

* El volumen interno se calcula midiendo la anchura, profundidad y altura máximas. La capacidad real para contener alimentos es inferior.

DESEMBALADO DEL MICROONDAS

Antes de utilizar su horno microondas

1. Retire todos los embalajes. **No** retire la pieza grande de plástico de la pared derecha de la cavidad. (Consulte la imagen inferior). Se trata de la tapa de la guía de ondas, y permite el paso de las microondas a su través para cocinar los alimentos.



Asegúrese de que conserva esta tapa limpia en todo momento frotando con un paño húmedo. No la retire ni la coloque en el lavaplatos.

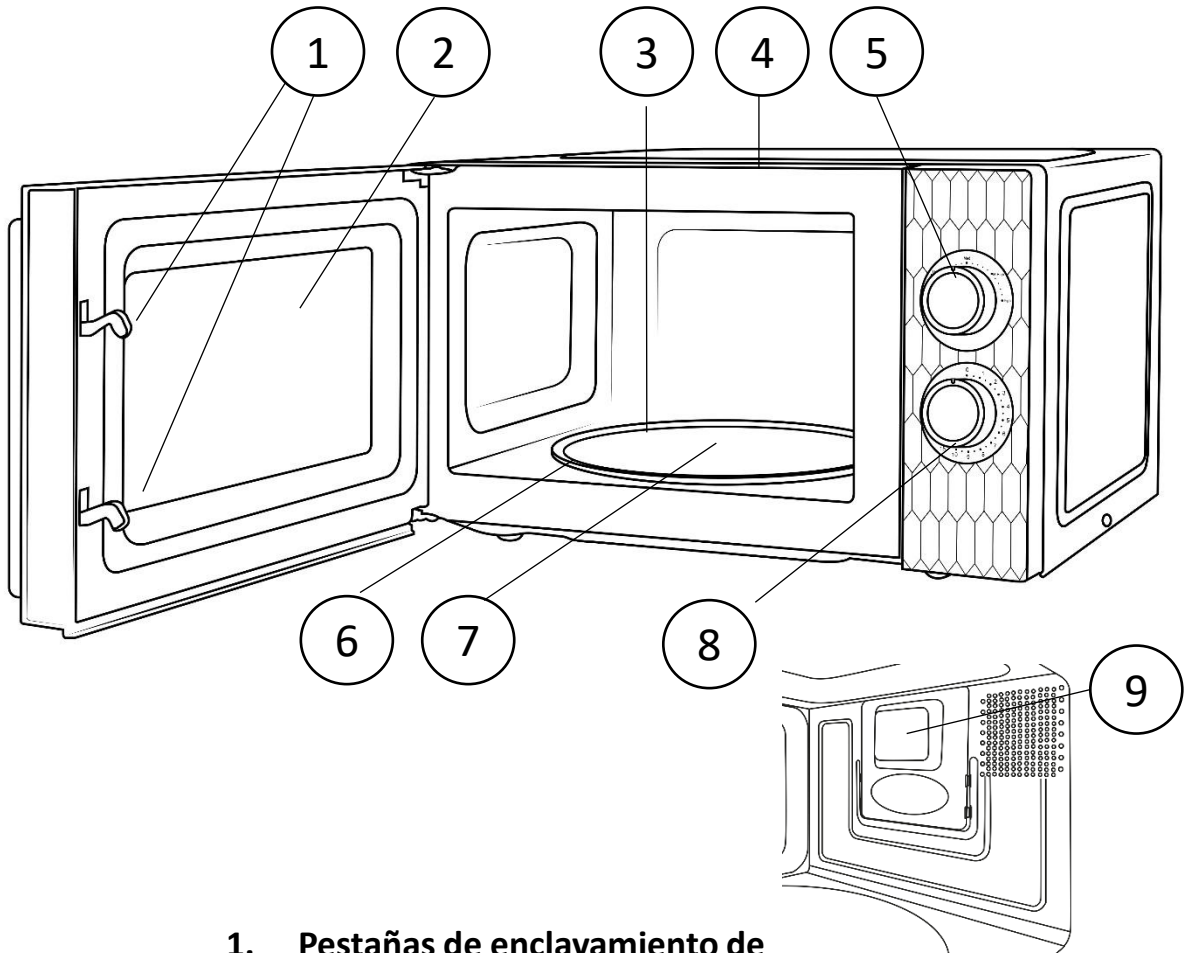
2. Una vez desembalado, compruebe si el horno presenta daños visibles, como:

- Puerta mal alineada
- Puerta dañada
- Abolladuras u orificios en la ventana de la puerta y en el montaje de puerta
- Abolladuras en el interior

Si nota cualquier tipo de daño, **no utilice el horno y póngase en contacto con el servicio de atención al cliente a través del europa@productcaregroup.com.**

Este horno microondas pesa aproximadamente 11 kg, de modo que debe colocarlo en una superficie horizontal que sea lo suficientemente resistente para soportar este peso. El horno debe colocarse lejos de temperaturas elevadas y vapor. No coloque objetos encima del horno microondas.

RESUMEN DEL PRODUCTO



1. Pestañas de enclavamiento de seguridad
2. Montaje de puerta y ventana
3. Bandeja de vidrio
4. Marco de puerta interior del microondas
5. Mando giratorio de control de potencia
6. Anillo de la plataforma giratoria
7. Acoplamiento de la plataforma giratoria
8. Mando giratorio de control de tiempo
9. Tapa de plástico de la guía de ondas

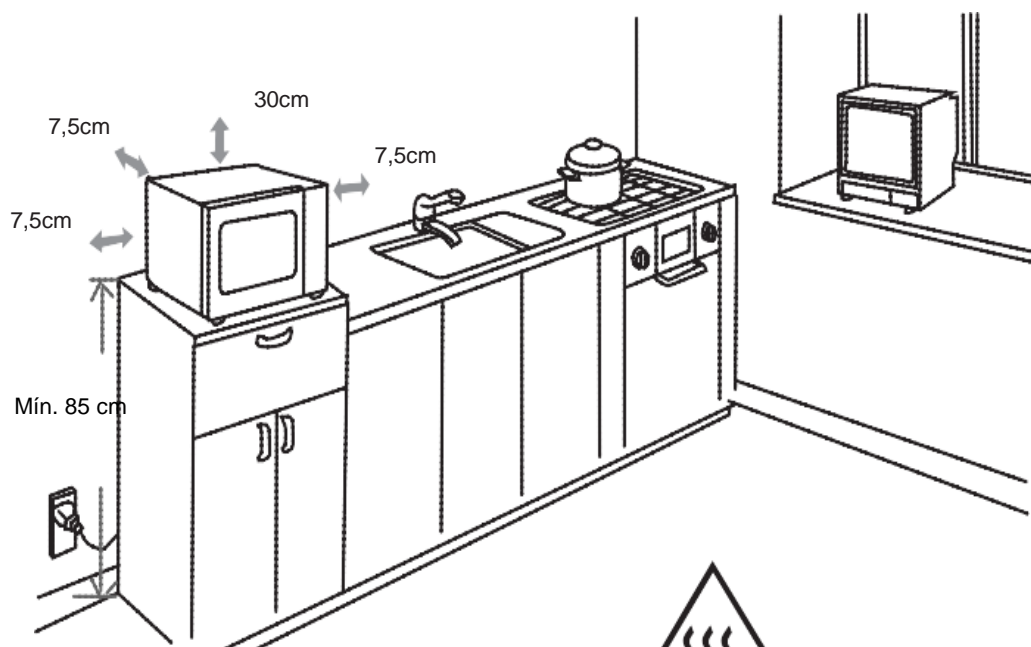
INSTALACIÓN DEL HORNO MICROONDAS

La altura mínima de instalación es de 85 cm.

Es necesario que se deje una separación mínima de 7,5 cm entre el horno y cualquier pared adyacente. Deje una separación mínima de 30 cm por encima del horno.

ADVERTENCIA:

NO instale el horno encima de un fogón u otro aparato que produzca calor o vapor, pues esto dañará el horno microondas.



NO obstruya la ventilación del microondas



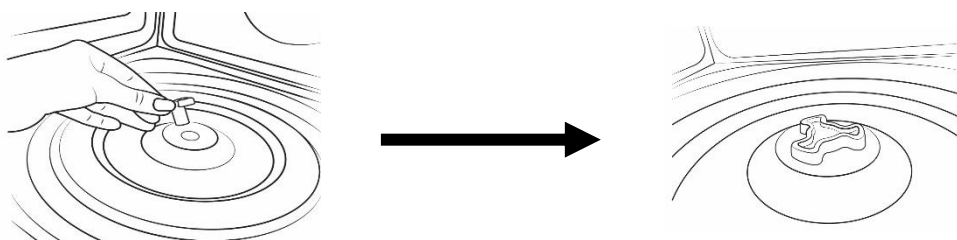
Este símbolo significa «CUIDADO: Superficie caliente»

INSTALACIÓN DE LA PLATAFORMA GIRATORIA

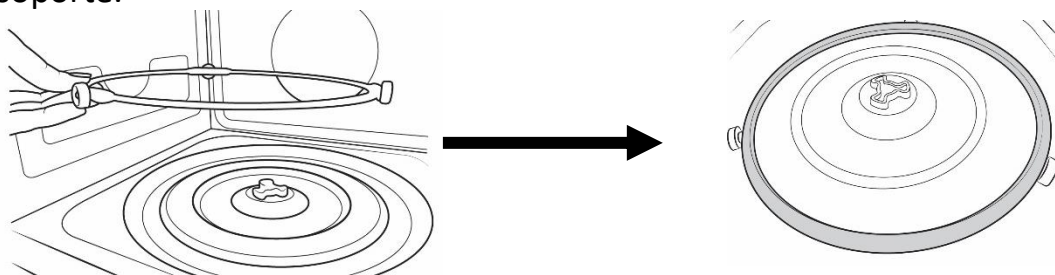
GIRATORIA

- Antes del primer uso, compruebe que se hayan retirado todas las cintas de fijación y embalajes de la plataforma giratoria de vidrio y del conjunto de montaje del anillo de la plataforma giratoria.
- **Nunca debe restringirse el giro de estas piezas.**
- Nunca coloque la plataforma giratoria de vidrio boca abajo.
- Para montar la plataforma giratoria, siga estos pasos en orden numérico.

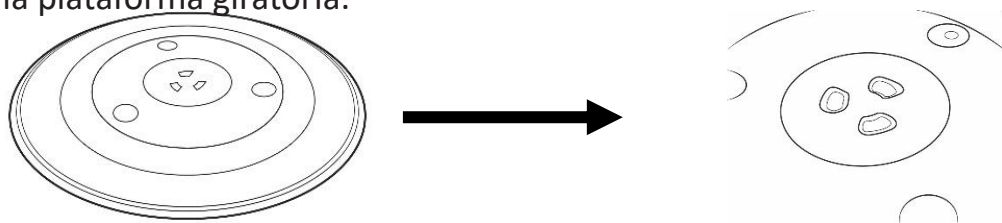
PASO 1) El acoplamiento de la plataforma giratoria debe encajar en la parte central del microondas.



PASO 2) El anillo de la plataforma giratoria debe encajar los huecos del soporte.



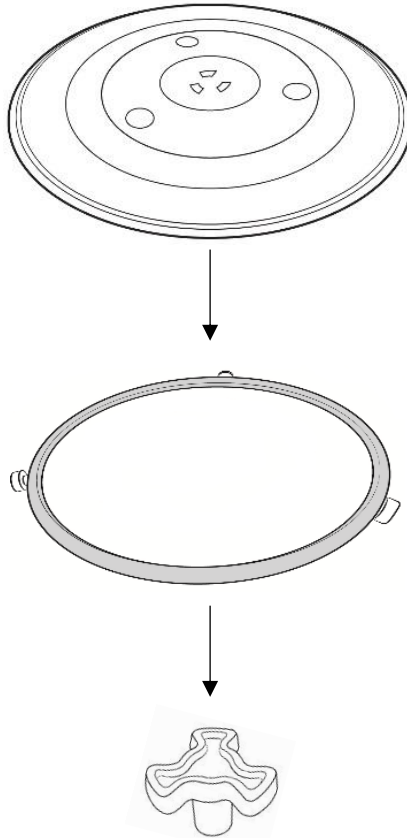
PASO 3) La plataforma giratoria de vidrio debe alinearse con el acoplamiento de la plataforma giratoria.



INSTALACIÓN DE LA PLATAFORMA GIRATORIA

GIRATORIA

El conjunto de montaje de la plataforma giratoria de vidrio, anillo y acoplamiento de la plataforma giratoria debe utilizarse siempre al cocinar (como se muestra más abajo).



- No coloque el alimento directamente sobre la plataforma giratoria de vidrio; colóquelo siempre encima o dentro de un utensilio de cocina apto para microondas.

Asegúrese de los recipientes de cocina son aptos para microondas antes de utilizarlos.

- Si la plataforma giratoria de vidrio o el conjunto del anillo de la plataforma giratoria sufre algún tipo de daño, póngase en contacto con nuestro equipo de atención al cliente, que estará encantado de ayudarle a través del europa@productcaregroup.com.

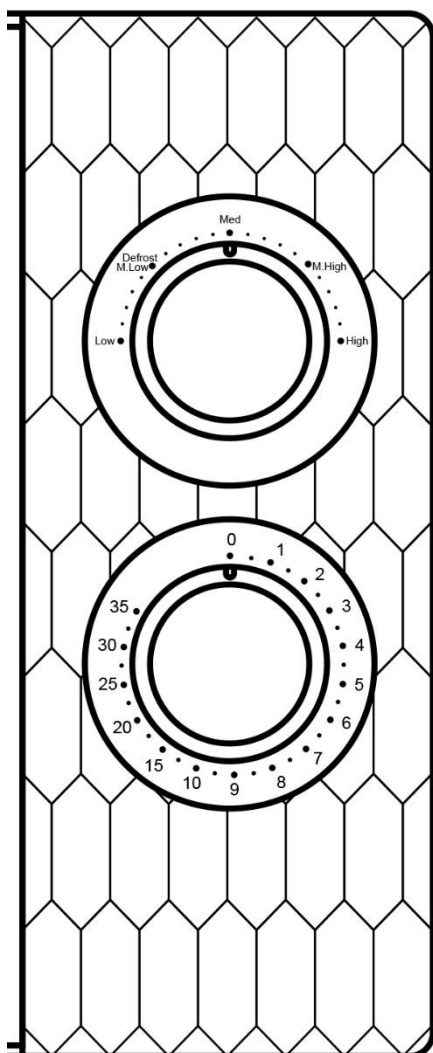
PANEL DE CONTROL

Mando giratorio POWER (POTENCIA)

Hay 5 niveles de potencia, incluida una función de descongelación, que se seleccionan mediante el mando giratorio Power.

Cuanto más bajo sea el ajuste de potencia, más lentamente calentará el microondas el alimento. Asegúrese de seguir las indicaciones del envase al seleccionar los ajustes.

Para descongelar alimentos, sitúe la flecha del mando en '**Defrost**'.



Mando giratorio TIME (TIEMPO)

Gire el mando en el sentido del reloj para aumentar el tiempo ajustado.

Puede ajustar el tiempo de cocción para un máximo de 35 minutos.

La flecha del mando giratorio indicará los minutos que ha seleccionado, y cada división del círculo representa dos minutos.

Cuando haya transcurrido el tiempo, el microondas producirá un sonido de "campana" para avisarle de que la cocción ha terminado.

Si desea ajustar un tiempo inferior a dos minutos, gire el mando en sentido horario más allá de la marca de dos minutos y después vuelva atrás hasta el tiempo requerido.

USO DEL MICROONDAS

- Coloque el alimento que desea cocinar o descongelar en un recipiente adecuado y apto para microondas, y cubra el alimento con una tapa adecuada o con film transparente apto para microondas (perfórelo con un tenedor).
- Coloque el recipiente en el horno microondas y cierre la puerta.
- Elija el nivel de potencia deseado girando el mando '**POWER**'.
- Seleccione el tiempo de cocción en minutos girando el mando **TIME**. Siga las indicaciones del fabricante en el embalaje. El tiempo máximo es de 35 minutos.
- Si desea cocinar un tiempo inferior a 2 minutos, gire el mando **TIME** más allá de los 2 minutos y después vuelva atrás hasta el tiempo requerido.
- Tan pronto como se haya ajustado el temporizador, el microondas empezará a cocinar o descongelar el alimento.
- La cocción o descongelación se pueden interrumpir en cualquier momento para remover o comprobar el progreso de cocción del alimento abriendo la puerta. El horno microondas continuará automáticamente el ciclo con el tiempo restante cuando se cierre la puerta.
- Una vez transcurrido el tiempo de cocción, sonará un sonido de "campana" y el microondas se apagará automáticamente.
- Deje enfriar el alimento de 30 segundos a 1 minuto y remueva los líquidos antes de servir.
- Si hay un tiempo restante en el mando giratorio, gírelo para volver a '0'. Sonará la campana del microondas.

Ajuste de POTENCIA	Potencia equivalente
Velocidad mínima	17 %
Defrost (Descongelar)	30 %
M.Low (Media-baja)	30 %
Velocidad media	55 %
M.High (Media-alta)	80 %
Velocidad máxima	100 %

CONSEJOS PARA COCINAR

Consejos para la descongelación

Las microondas penetran unos 4 cm en la mayoría de los alimentos. Para maximizar la efectividad de la descongelación, siga las indicaciones que figuran más abajo.

1. Para alimentos gruesos, deles la vuelta regularmente durante el funcionamiento para que la descongelación sea homogénea.
2. Para alimentos que pesen más de 500 g, se recomienda dar la vuelta al menos 2 veces.
3. El alimento descongelado debe consumirse lo antes posible; no es aconsejable volver a colocarlo en el frigorífico o en el congelador.

Consejos para cocinar: Lo siguiente podría afectar a los resultados de la cocción:

Disposición de alimentos

Si es posible, los trozos más gruesos de alimento deben colocarse en la zona más externa del plato, y los trozos más delgados en el centro, esparcidos lo más homogéneamente posible. No coloque unos alimentos encima de otros, pues esto podría dar lugar a una cocción inhomogénea.

Duración de cocción

Si no está seguro sobre los tiempos de cocción, se aconseja comenzar con un tiempo breve y vigilar el proceso antes de añadir más tiempo. Cocinar en exceso conlleva peligro de incendio. Asegúrese de que el alimento está completamente cocinado antes de consumirlo.

Cocción homogénea

Para alimentos tales como la carne, se deben dar la vuelta frecuentemente para garantizar unos resultados de cocción más homogéneos. Si el alimento tiene base líquida, es aconsejable remover durante el tiempo de cocción.

Tiempo de reposo

Cuando el microondas ha terminado de cocinar, deje que el alimento repose durante un tiempo adecuado para permitir que finalice la cocción y se enfríe.

LIMPIEZA DEL MICROONDAS

- Antes de limpiar el horno, **apáguelo y desenchúfelo.**
- Mantenga limpio el interior del horno. Cuando la comida o los líquidos se adhieran a las paredes de horno, límpielos con un paño húmedo. No se recomienda la utilización de detergentes fuertes o productos abrasivos.
- En la pared derecha de la cavidad se encuentra la tapa de la guía de ondas; las microondas la atravesarán para permitir la cocción de los alimentos. Es importante que esta tapa de la guía de ondas esté limpia en todo momento. Para ello, frótela con detergente suave y agua, y después séquela.
- El exterior del horno debe limpiarse con un paño húmedo. **No deje que se filtre agua por las aberturas de ventilación.**
- **No deje que se moje el panel de control.** Limpie con un paño suave y húmedo. No utilice detergentes, productos abrasivos o limpiadores en spray sobre el panel de control.
- Si se condensa vapor en el interior o por la parte externa de la puerta del horno, frote con un paño suave. Esto puede suceder si el horno microondas se utiliza en condiciones de humedad.
- Retire regularmente la plataforma giratoria de vidrio para limpiarla, y lávela con agua jabonosa templada. Limpie regularmente el soporte de la plataforma giratoria y el suelo del horno. Frote simplemente la superficie inferior del horno con un detergente suave y agua, y después séquela. El soporte de la plataforma giratoria se puede lavar con agua y jabón suave.
- Al retirar el soporte de la plataforma giratoria del horno, asegúrese de que lo vuelve a colocar correctamente.
- Si hay olor en el interior del horno, coloque una taza de agua con el zumo y la piel de un limón en un bol profundo para microondas. Haga funcionar el microondas durante tres minutos, frote a conciencia y después seque con un paño suave.

INFORMACIÓN IMPORTANTE ACERCA DE LOS UTENSILIOS

- No utilice sartenes de metal ni vajilla con asas de metal.
- No utilice objetos con bordes metálicos.
- No utilice cierres de alambre cubiertos de papel para bolsas de plástico.
- No utilice platos de melamina, pues contienen un material que puede absorber la energía de microondas. Esto puede hacer que los platos se agrieten o se quemen, y ralentizarán la velocidad de cocinado.
- Utilice solamente utensilios de cocina que estén homologados para el uso en hornos microondas.
- No cocine en un recipiente de apertura limitada, como botellas, pues pueden explotar.
- No caliente biberones con la tetina colocada. Retírela si vuelve a colocar el biberón en el horno.
- Utilice solamente termómetros homologados para hornos microondas.
- No utilice el horno microondas para calentar utensilios.

SOLUCIÓN DE PROBLEMAS



ADVERTENCIA: Para reducir el riesgo de lesiones personales, desenchufe siempre el microondas antes de realizar comprobaciones de mantenimiento o de resolución de problemas.

El horno microondas puede provocar interferencias con su radio, televisor o aparatos similares. Si se da el caso, mueva la radio, el televisor o el equipo lo más lejos posible de su horno microondas para detener las interferencias.

Problema	Posible causa	Posible solución
Si el microondas no funciona	1. El microondas no está enchufado	Asegúrese de que el enchufe se ha insertado de forma segura en la toma de la red principal y se ha encendido. En caso contrario, retire el enchufe de la toma, espere 10 segundos y vuelva a enchufarlo de forma segura.
	2. El enchufe no funciona	La toma de enchufe en la que se ha enchufado el microondas puede haberse estropeado. Enchufe el microondas en otra toma que sepa que funciona, asegúrese de que la toma está encendida y compruebe si el microondas funciona ahora.
	3. El enchufe tiene un fusible fundido o el circuito de la red principal tiene un fusible fundido/disparado	Compruebe si el enchufe tiene un fusible fundido o un disyuntor principal disparado. Si parecen funcionar correctamente, compruebe la toma con otro aparato.
	4. El microondas se ha averiado	Póngase en contacto con el servicio de atención al cliente para contarle el problema y tratar de encontrar una posible solución. Si no se encuentra solución y el producto está dentro del periodo de garantía, deberá devolver el microondas al minorista donde fue adquirido para solicitar una sustitución o un reembolso.
Si el microondas no tiene potencia	1. La puerta no está cerrada	Asegúrese de que la puerta está bien cerrada. De lo contrario, el microondas no se cerrará y esto impedirá el funcionamiento.
	2. No se ha establecido el temporizador.	Gire el temporizador en el sentido de las agujas del reloj para establecer el tiempo e iniciar la cocción.
No hay calentamiento	El magnetrón no funciona	El componente que genera las microondas se llama magnetrón; si el alimento no se calienta o está ligeramente templado, es posible que este componente se haya averiado. Si el microondas está dentro de su periodo de garantía, póngase en contacto con el servicio de atención al cliente para recibir asesoramiento, o devuelva el microondas al minorista al que lo compró para solicitar una sustitución o un reembolso.

SOLUCIÓN DE PROBLEMAS

Problema	Posible causa	Posible solución
Chispas	1. Restos de comida calcinados	<p>Los derrames o salpicaduras pueden quemarse e incendiarse; todos los alimentos que se coloquen en el microondas deberán cubrirse adecuadamente. Todos los derrames y salpicaduras deben limpiarse, y todas las zonas del microondas deben limpiarse tras cada uso.</p> <p>Los restos de comida calcinados en el microondas, en la guía de ondas y detrás de ella pueden hacer que el microondas emita chispas. Esto se debe a que las microondas pueden concentrarse en los restos calcinados y producir chispas.</p> <p>Los microondas deben limpiarse a fondo después de cada uso para garantizar que no hay restos de comida calcinados en ninguna zona del interior.</p> <p>Si saltan chispas del microondas, será necesario eliminar la guía de ondas. Limpie a fondo el microondas y después póngase en contacto con el servicio de atención al cliente para solicitar un repuesto de la guía de ondas.</p> <p>Se debe montar el repuesto de la guía de ondas para que el microondas funcione con normalidad. Sin embargo, si vuelven a saltar chispas del microondas en el primer uso (una vez que se ha sustituido la guía de ondas y se ha limpiado el microondas), póngase en contacto con el servicio de atención al cliente para solicitar asesoramiento.</p>
	2. Metales o papel de aluminio	<p>No deben colocarse metales ni papel de aluminio dentro del microondas, pues pueden causar chispas que dañarían el aparato.</p> <p>Los únicos accesorios metálicos que se pueden utilizar dentro del microondas son los suministrados por el fabricante.</p>
	3. Aumento de presión en el alimento	<p>Los alimentos con pieles no porosas (por ejemplo, las patatas) deben perforarse para permitir que escape el vapor. Esto se debe a que el aumento de presión puede hacer estallar el alimento y crear un peligro de incendio.</p>
Puntos calientes	Ha funcionado vacío o sin contenido de agua	<p>Los microondas no pueden funcionar vacíos, pues las microondas necesitan humedad para funcionar correctamente.</p> <p>Si se hace funcionar un microondas vacío o para calentar platos (esto no está permitido), las microondas se pueden concentrar en un único punto dentro del horno. Esto puede provocar un punto caliente, que puede hacer que en esa zona se produzcan deformaciones, combaduras o fusión.</p> <p>Si el microondas se hace funcionar vacío o con el fin de calentar objetos extraños, la garantía se anulará.</p>

SOLUCIÓN DE PROBLEMAS

Problema	Posible causa	Posible solución
Condensación o exceso de agua	1. El alimento que se cocina	Debido al principio de funcionamiento del microondas, las moléculas de agua del alimento que calienta se "excitan", haciendo que se muevan y generen calor desde el interior del alimento. A menudo, cuando el alimento se calienta, se alcanza un punto en el que se libera vapor. Dependiendo del tipo de alimento que se calienta (y de su contenido en agua), y de la duración del calentamiento (y con ello, de la cantidad de vapor generado), es inevitable que parte del vapor se condense en forma de pequeñas gotas de agua dentro de la cavidad del microondas. Estas se suelen encontrar en las paredes interiores o, más habitualmente, en la parte posterior de la puerta de vidrio. Si no se limpian, estas gotas pueden empezar a formar pequeños "charcos" de agua.
	2. Aberturas de enfriamiento cubiertas	Las aberturas de enfriamiento permiten que el calor y el vapor escapen del microondas. No deben cubrirse, pues esto provocaría una acumulación excesiva de agua dentro del microondas, o bien un sobrecalentamiento de este. Las instrucciones de instalación del manual deben respetarse; de lo contrario, se anulará la garantía.
Daños/ descascarillado de la pintura	Mantenimiento	Si el microondas está dentro de su periodo de garantía, póngase en contacto con el servicio de atención al cliente para recibir asesoramiento, o devuelva el microondas al minorista al que lo compró para solicitar una sustitución o un reembolso.
La luz no funciona	La bombilla no funciona	Debido al diseño del microondas y a ciertos componentes "peligrosos" de su interior, la bombilla solo puede sustituirla un técnico de servicio cualificado. Si el microondas está dentro de su periodo de garantía, póngase en contacto con el servicio de atención al cliente para recibir asesoramiento, o devuelva el microondas al minorista al que lo compró para solicitar una sustitución o un reembolso.
Sobrecalentamiento	Aberturas de enfriamiento cubiertas	Las aberturas de enfriamiento permiten que el calor y el vapor escapen del microondas. No deben cubrirse, pues esto provocaría una acumulación excesiva de agua dentro del microondas, o bien un sobrecalentamiento de este. Las instrucciones de instalación del manual deben respetarse; de lo contrario, se anulará la garantía.

SOLUCIÓN DE PROBLEMAS

Problema	Posible causa	Posible solución
La puerta no cierra/ no se bloquea	1. Bandeja de vidrio colocada de forma incorrecta	Compruebe que la bandeja de vidrio se haya colocado correctamente sobre la plataforma giratoria y no impida el cierre de la puerta.
	2. Las pestañas se han deformado	Si el microondas está dentro de su periodo de garantía, póngase en contacto con el servicio de atención al cliente para recibir asesoramiento, o devuelva el microondas al minorista al que lo compró para solicitar una sustitución o un reembolso.
La plataforma giratoria no gira	1. El acoplamiento de la plataforma giratoria no está encajado o la cinta no se ha retirado	Compruebe que el acoplamiento de la plataforma giratoria haya encajado correctamente y que la cinta de transporte se haya retirado.
	2. El anillo de la plataforma giratoria no está encajado o encaja de forma incorrecta	Compruebe que el acoplamiento se haya colocado bajo la plataforma giratoria y que esté en la posición correcta.
	3. Bandeja de vidrio colocada de forma incorrecta	Compruebe que la bandeja de vidrio se haya colocado correctamente sobre la plataforma giratoria.
	4. La plataforma giratoria está defectuosa	Si el microondas está dentro de su periodo de garantía, póngase en contacto con el servicio de atención al cliente para recibir asesoramiento, o devuelva el microondas al minorista al que lo compró para solicitar una sustitución o un reembolso.
Ruido excesivo	1. Bandeja de vidrio colocada de forma incorrecta	Compruebe que la bandeja de vidrio se haya colocado correctamente sobre la plataforma giratoria y no golpee las paredes/puerta del microondas durante el funcionamiento.
	2. Los platos/la bandeja son demasiado grandes para el microondas	Compruebe que los platos/bandeja tienen el tamaño correcto para el microondas y que no chocan con las paredes/puerta del microondas durante el funcionamiento.

GARANTÍA Y SERVICIOS DE ATENCIÓN AL CLIENTE

Este producto está garantizado durante **12 meses** a partir de la fecha de compra original. Si se produce algún defecto debido a fallos del material o de calidad, el producto defectuoso deberá devolverse al lugar de compra.

El distribuidor decidirá si procede a la sustitución o al reembolso.

Se aplican las siguientes condiciones:

- El producto se debe devolver al distribuidor junto con la prueba original de compra.
- El producto se debe instalar y utilizar de acuerdo con las instrucciones incluidas en esta guía y demás instrucciones de uso que se hayan facilitado.
- El producto solamente debe utilizarse con fines domésticos y para el uso previsto.
- Esta garantía no cubre el desgaste por uso, los daños, el uso inadecuado ni las partes consumibles.

Esto no afecta a sus derechos legales.

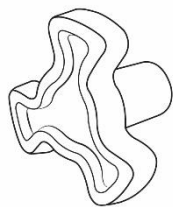
Atención al cliente: y repuestos:

Región	Contacto	Sitio web
R. U. e Irlanda del Norte	0345 209 7461	es.mda.Russellhobbs.com
Irlanda	1 800 938982	ie.mda.russellhobbs.com
Resto de Europa	europe@productcaregroup.com	de.mda.russellhobbs.com fr.mda.russellhobbs.com es.mda.russellhobbs.com it.mda.russellhobbs.com nl.mda.russellhobbs.com

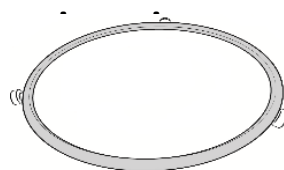
REPUESTOS

Para comprobar la disponibilidad de los siguientes repuestos, simplemente póngase en contacto con nuestro equipo de atención al cliente, que estará encantado de ayudarle a través del europa@productcaregroup.com.

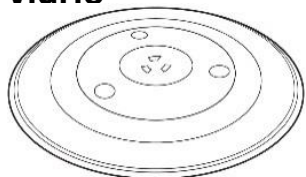
**Acoplamiento de la
plataforma giratoria**



**Anillo de la
plataforma**



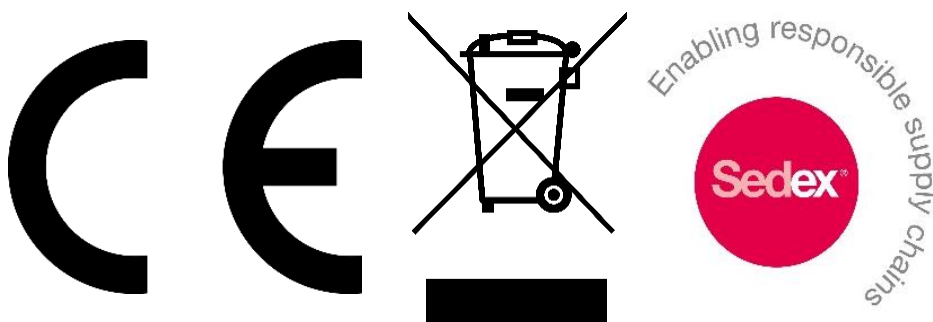
**Bandeja de
vidrio**





Russell Hobbs

Fabricado por Product Care Trading Limited bajo licencia de Spectrum Brands (UK) Limited. Product Care Trading Ltd, Unit 1, Green Bank Business Park, Swan Lane, Hindley Green, Wigan, WN2 4AY, Reino Unido / Product Care (Ireland) Ltd, Unit 3D North Point House, North Point Business Park, New Mallow Road, Cork, T23 AT2P, Irlanda. Russell Hobbs es la marca comercial registrada de Spectrum Brands (UK) Ltd.



El símbolo del contenedor se conoce como «símbolo del contenedor tachado». Cuando aparece este símbolo en un producto o batería, significa que dicho producto o dicha batería no debe desecharse con el resto de basura. Los aparatos eléctricos, electrónicos y las baterías deben desecharse en puntos limpios, los cuales se encargan de recuperar y reciclar los materiales que contienen. Su colaboración es fundamental para garantizar que los puntos limpios funcionen y proteger el medioambiente. Consulte a su municipalidad local la localización de las instalaciones de eliminación más cercanas, o bien pregunte los detalles a su tienda.

SEDEX – Conecta a las empresas y los proveedores de todo el mundo para compartir datos de forma ética y mejorar en términos éticos. Visite www.sedex.com/es/ para obtener más información.

Debido a posibles cambios en el diseño, nos reservamos el derecho a modificar el manual de instrucciones sin previo aviso.

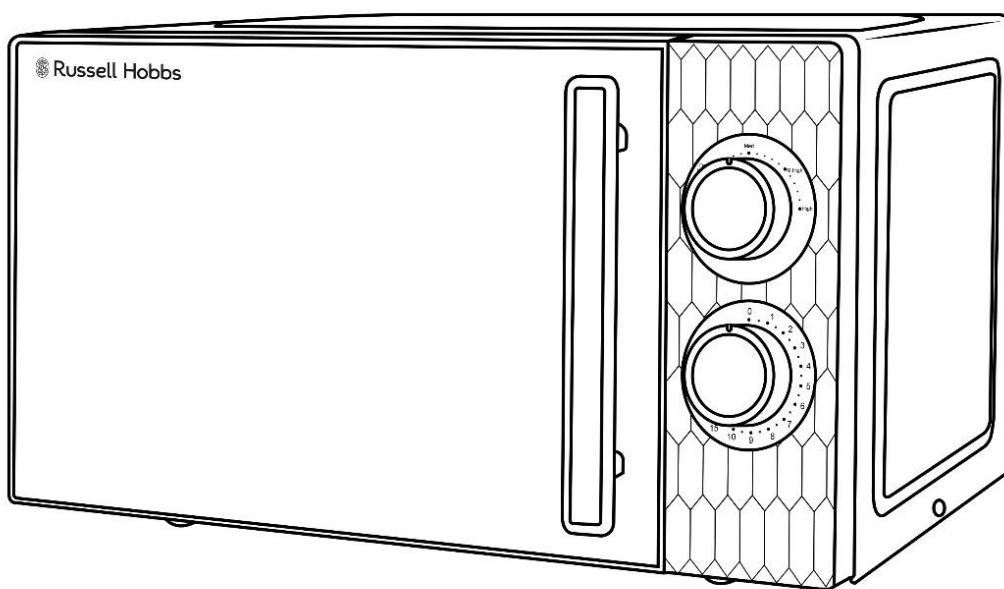


Russell Hobbs

Honeycomb

Four à micro-ondes manuel compact

Guide d'utilisation



Numéro du modèle :
RHMM715 (-EUAZ), (B-EUAZ)

VEUILLEZ CONSERVER POUR
RÉFÉRENCE ULTÉRIEURE

CONTENU

	Page(s)
Notice de sécurité	90-96
Au sujet de votre micro-ondes	97-98
Informations sur le produit	99
Déballer le micro-ondes	100
Vue d'ensemble du produit	101
Installation du four à micro-ondes	102
Installation de la plaque tournante	103-104
Panneau de commande	105
Utilisation du micro-ondes	106
Conseils de cuisson	107
Nettoyer le micro-ondes	108
Informations importantes sur les ustensiles	109
Dépistage de pannes	110-113
Garantie et service clientèle	114
Pièces de rechange	115
Informations sur l'élimination	116

NOTICE DE SÉCURITÉ

CONSIGNES DE SÉCURITÉ IMPORTANTES

VEUILLEZ LIRE SOIGNEUSEMENT ET CONSERVER POUR RÉFÉRENCE ULTÉRIEURE

AVERTISSEMENT :

- Si la porte ou les joints de la porte sont endommagés, le four ne doit pas être utilisé tant qu'il n'a pas été réparé par une personne compétente.
- Il est dangereux pour quiconque autre qu'une personne compétente d'effectuer un entretien ou une réparation impliquant le retrait d'un couvercle qui assure une protection contre l'exposition aux micro-ondes.
- Les liquides et autres aliments ne doivent pas être réchauffés dans des récipients fermés, qui seraient susceptibles d'exploser.
- L'appareil et ses pièces accessibles peuvent devenir chauds quand ils sont en service. Prenez soin d'éviter de toucher les éléments qui chauffent.
- Ne laissez pas le four à micro-ondes sans surveillance pendant que vous l'utilisez.
- N'utilisez pas le four à micro-ondes à vide. Ceci risque de l'endommager.
- Cet appareil a été conçu pour utilisation par des particuliers, pour des applications domestiques d'ordre général. Il n'est pas destiné aux applications industrielles ou commerciales.

NOTICE DE SÉCURITÉ

VEUILLEZ LIRE SOIGNEUSEMENT ET CONSERVER POUR RÉFÉRENCE ULTÉRIEURE

AVERTISSEMENT :

- Le four à micro-ondes est uniquement prévu pour chauffer des aliments et des boissons. Le séchage d'aliments ou de vêtements ou le chauffage de coussins, sacs de graines, pantoufles, éponges, chiffon humide et autres objets similaires est extrêmement dangereux et peut entraîner des risques de blessure, d'inflammation et d'incendie.
- N'utilisez pas de casseroles métalliques, de plats avec des poignées en métal ou autre objet avec une décoration métallique à l'intérieur du micro-ondes. N'utilisez pas de liens métalliques recouverts de papier pour fermer les sacs en plastique.
- Ne mettez jamais d'objets dans les ouvertures de la caisse extérieure.
- Cet appareil peut être utilisé par des enfants âgés d'au moins 8 ans, par des personnes atteintes de problèmes physiques, sensoriels ou mentaux, ou des personnes qui manquent d'expérience et de connaissances, mais ceci uniquement dans la mesure où ils sont surveillés ou à condition qu'ils aient reçu des instructions sur le bon fonctionnement de l'appareil et qu'ils comprennent les risques impliqués. Les enfants ne doivent pas jouer avec l'appareil.
- Les aliments qui contiennent un mélange de graisse et d'eau (le bouillon par exemple) doivent reposer pendant 30 à 60 secondes dans le four une fois qu'il a été éteint. Ceci permet au mélange de se reposer et empêche qu'il ne soit en ébullition lorsque l'on met une cuillère dedans ou qu'on y ajoute un cube bouillon.

NOTICE DE SÉCURITÉ

VEUILLEZ LIRE SOIGNEUSEMENT ET CONSERVER POUR RÉFÉRENCE ULTÉRIEURE

AVERTISSEMENT :

- Lorsque l'on chauffe ou que l'on cuit des aliments ou du liquide, se souvenir qu'il y a certains aliments (comme la confiture, le pudding de Noël etc) qui chauffent très rapidement.
- La chauffe de boissons au micro-ondes peut entraîner une ébullition éruptive retardée. Il faut donc prendre soin lors de la manipulation du récipient.
- Le contenu des biberons et des pots de nourriture pour bébé doit être mélangé ou secoué et sa température doit être vérifiée avant sa consommation, pour éviter les brûlures. Veillez à enlever la tétine avant de chauffer un biberon. Enlevez-la si vous replacez le biberon dans le four.
- Les œufs dans leur coquille et les œufs durs entiers ne doivent pas être chauffés au micro-ondes car ils risquent d'exploser, même une fois que micro-ondes arrêté.
- Ne cuisez pas les aliments entourés d'une membrane, comme les jaunes d'œufs, les pommes de terre, les foies de poulet, les saucisses, les repas préparés etc. sans les percer plusieurs fois à l'aide d'une fourchette.
- N'essayez pas de frire les aliments dans de la graisse dans un four à micro-ondes.
- Ne cuisez pas excessivement la nourriture.

NOTICE DE SÉCURITÉ

VEUILLEZ LIRE SOIGNEUSEMENT ET CONSERVER POUR RÉFÉRENCE ULTÉRIEURE

AVERTISSEMENT :

- Lorsque vous réchauffez des aliments dans des récipients en plastique ou en papier, surveillez le four pour éviter les risques d'inflammation.
- Si les matériaux à l'intérieur du four fument ou prennent feu, maintenez la porte du four fermée pour étouffer les flammes, mettez le four à l'arrêt au commutateur mural, ou coupez l'alimentation sur le panneau fusible ou coupe-circuit. En cas d'émission de fumée, coupez l'alimentation ou débranchez l'appareil et maintenez la porte fermée pour étouffer les flammes.
- Souvenez-vous que lorsque les aliments ou les liquides chauffent, ils dégagent de la vapeur ou risquent de grésiller. Ne recouvrez jamais complètement le récipient, laissez toujours un espace par lequel la vapeur peut s'échapper.
- N'utilisez pas de récipients en plastique lorsque vous chauffez ou cuisez des aliments qui contiennent beaucoup de gras ou de sucre.
- Vérifiez toujours que la plaque tournante en verre et le support de la plaque tournante sont en place lorsque vous utilisez le four à micro-ondes.
- Ne cuisez pas les aliments directement sur la plaque tournante en verre. Placez les aliments sur une assiette adéquate ou dans un bol avant de la mettre au micro-ondes.

NOTICE DE SÉCURITÉ

VEUILLEZ LIRE SOIGNEUSEMENT ET CONSERVER POUR RÉFÉRENCE ULTÉRIEURE

AVERTISSEMENT :

- N'utilisez pas de plats en mélamine car ils contiennent un matériau qui absorbera l'énergie des micro-ondes. Ceci peut fissurer ou brûler les plats et ralentira la vitesse de cuisson.
- Utilisez uniquement des récipients et ustensiles de cuisine qui sont approuvés pour utilisation dans un four à micro-ondes.
- N'utilisez pas le four à micro-ondes pour chauffer des ustensiles, assiettes ou plats.
- N'utilisez pas de récipients de cuisson avec une ouverture restreinte, comme les bouteilles, car ils risquent d'exploser.
- Avant de nettoyer votre four à micro-ondes, mettez-le à l'arrêt et débranchez-le.
- Veillez à ce que l'intérieur de votre four soit propre. Lorsque la nourriture ou les liquides adhèrent aux parois du four, essuyez-les avec un chiffon humide. Nous vous recommandons de ne pas utiliser de détergents ou produits abrasifs agressifs.

NOTICE DE SÉCURITÉ

VEUILLEZ LIRE SOIGNEUSEMENT ET CONSERVER POUR RÉFÉRENCE ULTÉRIEURE

AVERTISSEMENT :

- Sur la paroi droite de la cavité se trouve un guide-ondes en plastique. Les micro-ondes le traversent pour permettre à la nourriture de cuire. **Il est important de veiller à tout moment à la propreté de ce guide-ondes.** Pour cela, essuyez-le avec de l'eau et un détergent doux, avant de le sécher.
- Le four doit être nettoyé régulièrement et tous les dépôts alimentaires doivent être éliminés. À défaut de maintenir la propreté du four, la surface risque de se détériorer, ce qui pourrait affecter la durée de vie de l'appareil et même s'avérer dangereux.
- Vous devriez nettoyer l'extérieur du four avec un chiffon humide. Veillez à ne pas laisser d'eau couler dans les prises d'air.
- N'utilisez pas de produits de nettoyage agressifs et abrasifs ou de racloirs métalliques tranchants pour nettoyer le verre de la porte du four, car ils risquent de rayer la surface, ce qui pourrait briser le verre.
- En cas d'accumulation de vapeur à l'intérieur ou autour de la porte du four, essuyez-la avec un chiffon doux. Ceci peut se produire lorsque le four à micro-ondes est utilisé dans des conditions humides.

NOTICE DE SÉCURITÉ

VEUILLEZ LIRE SOIGNEUSEMENT ET CONSERVER POUR RÉFÉRENCE ULTÉRIEURE

AVERTISSEMENT :

- Enlevez régulièrement la plaque tournante en verre pour la nettoyer avec de l'eau savonneuse chaude, ou lavez-la au lave-vaisselle. Nettoyez régulièrement le support de la plaque tournante et la surface inférieure du four. Essuyez simplement la surface inférieure du four avec de l'eau et un détergent doux, avant de la sécher. Vous pouvez laver le support de la plaque tournante dans de l'eau légèrement savonneuse.
- À moins de veiller à la propreté du four, surtout s'il y a du liquide sous la plaque tournante, la surface risque de se détériorer, ce qui pourrait affecter la durée de vie de l'appareil et même s'avérer dangereux.
- Il ne faut pas laisser les enfants jouer avec l'appareil. Le nettoyage et l'entretien de l'appareil ne doivent pas être assurés par des enfants à moins qu'ils ne soient surveillés.
- Si le cordon d'alimentation est endommagé, il doit être remplacé par le fabricant, son agent de service ou des personnes de qualifications similaires, pour éviter les risques.

AU SUJET DE VOTRE MICRO-ONDES

Nous vous remercions d'avoir acheté un four à micro-ondes Russell Hobbs.

Pratique et élégant, le RHMM715 fait partie de la collection haut de gamme de Russell Hobbs pour le petit-déjeuner. L'appareil a été conçu pour compléter la bouilloire et le grille-pain de la gamme Honeycomb. Ce design inspiré des nids d'abeilles au motif texturé esthétique et aux accents en acier inoxydable apporte une touche d'élégance sur le plan de travail de votre cuisine.

Un fois votre four à micro-ondes prêt pour sa première utilisation, placez simplement la nourriture dans un récipient de cuisson adéquat, ouvrez la porte et positionnez la nourriture sur le plateau tournant correctement installé. Ensuite, il vous suffit de sélectionner un niveau de puissance et le temps de cuisson requis, en tournant les cadrans conviviaux que vous trouverez sur le panneau de contrôle. La lumière interne du four à micro-ondes vous permet de voir la cuisson en cours.

Lorsque le cycle est terminé, le four à micro-ondes émet un bip sonore pratique pour vous avertir de la fin de cuisson. Et voilà ! Il n'a jamais été aussi simple de cuisiner.

Avec le RHMM715, vous pouvez adapter la cuisson à chaque recette, en utilisant les 5 niveaux de puissance disponibles. Grâce à sa capacité de 17 litres et à sa puissance de 700 W, le four à micro-ondes vous permet de réchauffer une grande variété de plats en quelques minutes. Pour une fonctionnalité accrue, vous bénéficiez également d'un réglage de décongélation indispensable, pour gagner du temps et vous permettre de préparer des repas dès leur sortie du congélateur.

Facile à nettoyer, il vous suffit de l'essuyer avec un chiffon humide pour maintenir ses performances hors pair. Le RHMM715 est le choix ultime en termes de commodité de cuisson au micro-ondes.

AU SUJET DE VOTRE MICRO-ONDES

Comment fonctionnent les micro-ondes ?

Les micro-ondes sont des ondes électromagnétiques de haute fréquence qui sont similaires aux ondes radio. Alors que les ondes radio peuvent varier en longueur d'un mètre à plusieurs kilomètres, les micro-ondes sont très courtes (moins de 12,5 cm).

Les micro-ondes ne produisent pas de chaleur elles-mêmes mais font vibrer les molécules d'eau dans la nourriture.

Ces vibrations produisent la chaleur qui cuit les aliments. C'est la raison pour laquelle vos aliments sortent chauds du four à micro-ondes, mais les ustensiles à l'intérieur du four sont bien plus froids. Les micro-ondes ne restent pas dans l'air ou dans la nourriture lorsque vous ouvrez la porte du four à micro-ondes.

Le four à micro-ondes se branche sur une prise électrique domestique normale. À l'intérieur du four à micro-ondes se trouve le magnétron, qui transforme l'énergie électrique en micro-ondes.

Les micro-ondes ne peuvent pas traverser le métal, alors l'intérieur du four est revêtu de métal. La porte est revêtue d'une fine maille métallique qui empêche le passage des micro-ondes. Ceci signifie que lorsque la porte du four à micro-ondes est fermée, il est impossible que les micro-ondes s'échappent.

INFORMATIONS SUR LE PRODUIT

Tension nominale	AC230 V/50 Hz
Puissance d'entrée nominale (Micro-ondes)	1100 W
Puissance de sortie nominale (Micro-ondes)	700 W
Capacité du four	17L
Diamètre de la plaque tournante	25,5cm
Dimensions extérieures (H x l x P)	26,1 x 45,5 x 35,2 (cm)
Poids net ; environ	11 Kg
Nombre de niveaux de puissance	5 y compris la décongélation
Accessoires inclus	Accouplement de la plaque tournante Anneau rotatif de la plaque tournante Plaque tournante en verre

Consommation d'énergie

Informations sur le produit concernant la consommation d'énergie et le délai maximum nécessaire pour passer au mode de faible consommation d'énergie applicable.

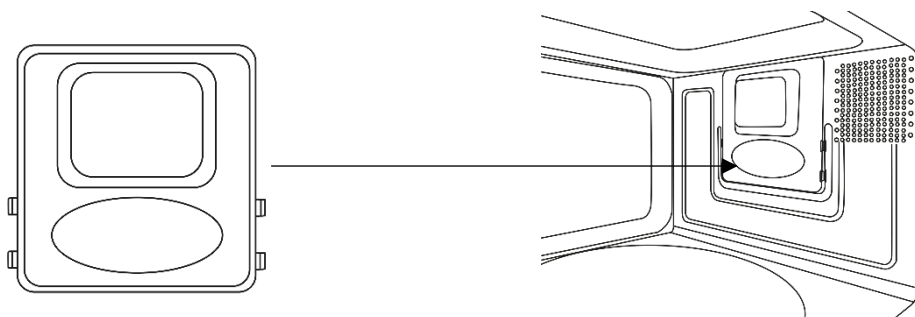
Mode arrêt	0.3 W
-------------------	-------

*Le volume interne est calculé en mesurant la largeur, la profondeur et la hauteur maximales. La capacité réelle disponible pour les aliments est inférieure à cela.

DÉBALLAGE DU MICRO-ONDES

Avant d'utiliser votre four à micro-ondes

1. Enlevez tout l'emballage. **N'enlevez pas** la grande section du guide-ondes en plastique située sur le côté droit de la paroi de la cavité. (Voir l'image ci-dessous). Il s'agit d'un guide-ondes que traversent les micro-ondes pour cuire la nourriture.



Veillez à maintenir la propreté de ce guide-ondes à tout moment en l'essuyant à l'aide d'un chiffon humide. Ne pas l'enlever/le mettre au lave-vaisselle.

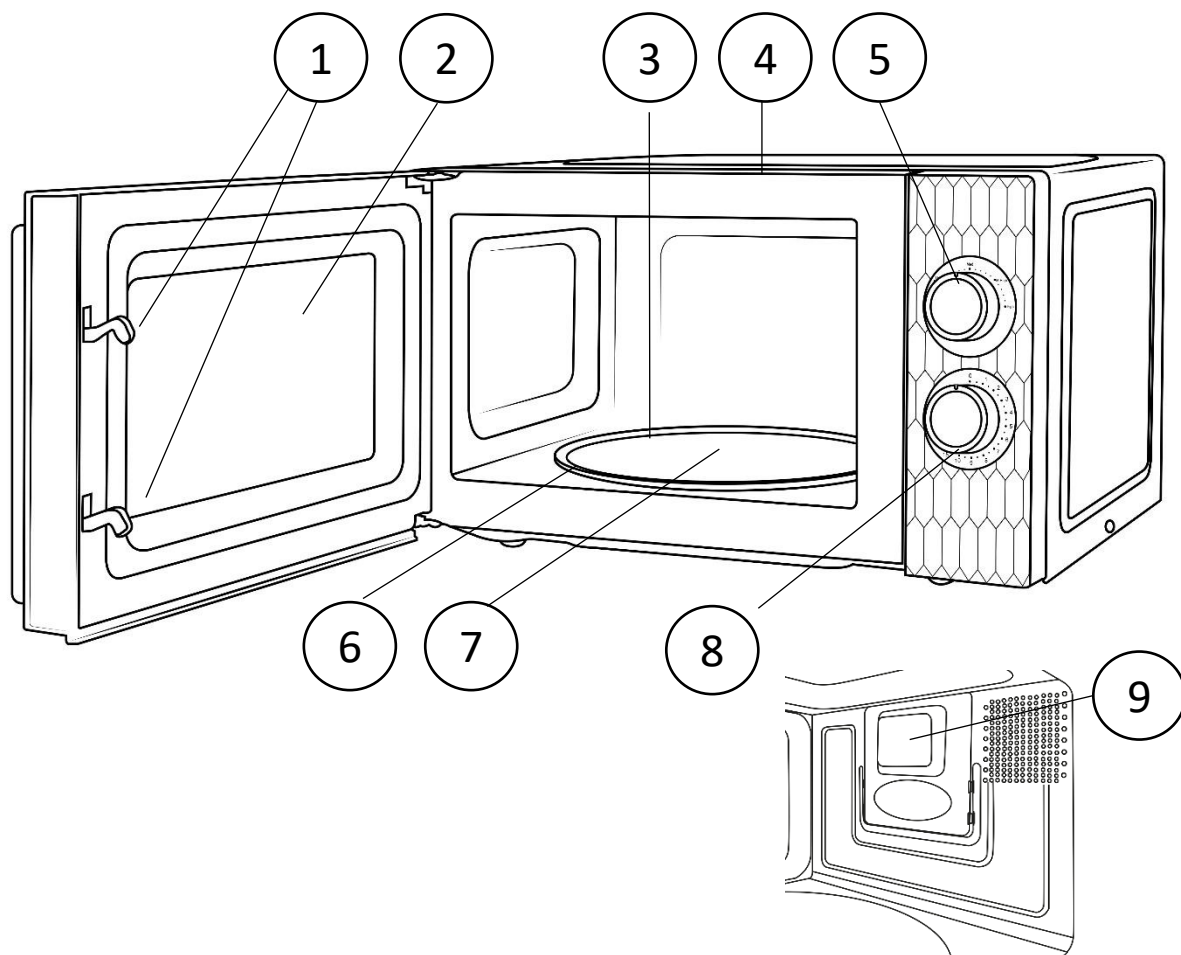
2. Vérifiez le four après l'avoir déballé, en cas de détérioration visible, par exemple :

- Une porte mal alignée
- Une porte endommagée
- Des coups ou des trous dans la fenêtre de la porte et l'ensemble de la porte
- Des coups à l'intérieur

Si vous remarquez une détérioration, **assurez-vous de ne pas utiliser le four et contactez le service clientèle au europe@productcaregroup.com.**

Ce four à micro-ondes pèse environ 11 kg, alors vous devez le placer sur une surface horizontale suffisamment robuste pour le soutenir. Le four doit être placé à l'écart des températures élevées et de la vapeur. Ne posez rien au-dessus du four à micro-ondes.

VUE D'ENSEMBLE DU PRODUIT



1. **Verrous de sécurité**
2. **Ensemble de la porte et fenêtre**
3. **Plaque tournante en verre**
4. **Encadrement de porte intérieur du micro-ondes**
5. **Cadran de contrôle de la puissance**
6. **Anneau de la plaque tournante**
7. **Accouplement de la plaque tournante**
8. **Cadran de contrôle du temps**
9. **Guide-ondes en plastique**

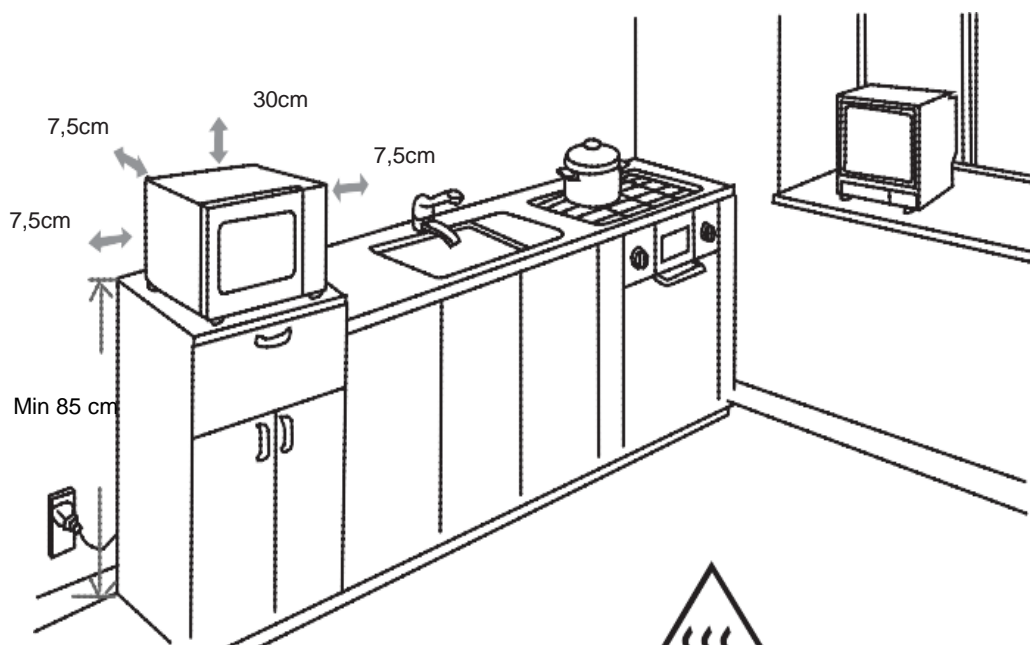
INSTALLATION DU FOUR À MICRO-ONDES

La hauteur d'installation minimum est de 85 cm.

Un jeu maximum de 7,5 cm est nécessaire entre le four et toutes les parois adjacentes. Laissez une distance minimum de 30 cm au-dessus du four.

AVERTISSEMENT :

Pour éviter d'endommager le four, **NE l'installez PAS** au-dessus d'une cuisinière ou d'un autre appareil qui produit de la chaleur ou de la vapeur.



NE bloquez PAS
les prises d'air
du four à micro-ondes

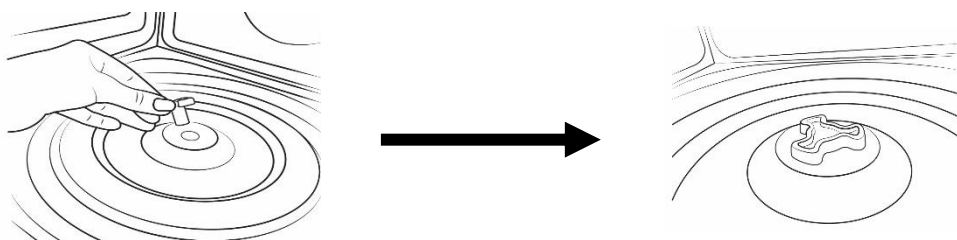


Ce symbole signifie
« AVERTISSEMENT : surface
chaude »

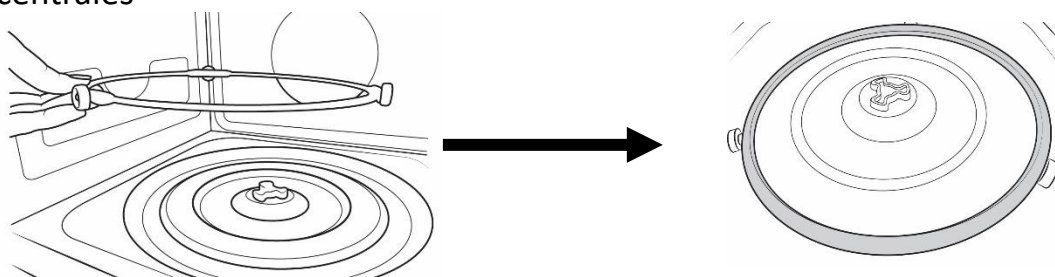
INSTALLATION DE LA PLAQUE TOURNANTE

- Avant d'utiliser le four pour la première fois, vérifiez que vous avez enlevé le ruban de sécurité, ainsi que l'emballage de la plaque tournante en verre et de l'ensemble de l'anneau de la plaque tournante.
- **Ces pièces doivent toujours pouvoir tourner librement.**
- Ne placez jamais la plaque tournante en verre à l'envers.
- Pour assembler la plaque tournante, suivez les étapes ci-dessous, dans l'ordre indiqué.

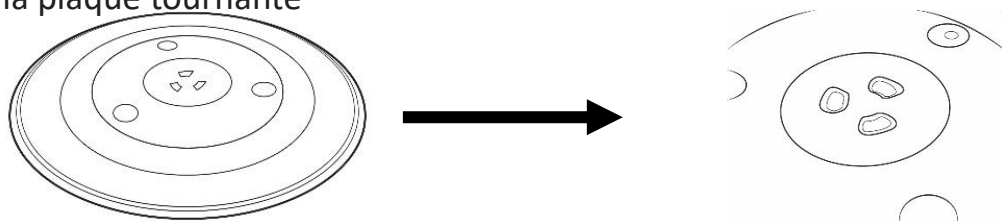
ÉTAPE 1) L'accouplement de la plaque tournante doit s'insérer au centre du micro-ondes



ÉTAPE 2) L'anneau de la plaque tournante s'insère dans les indentations centrales

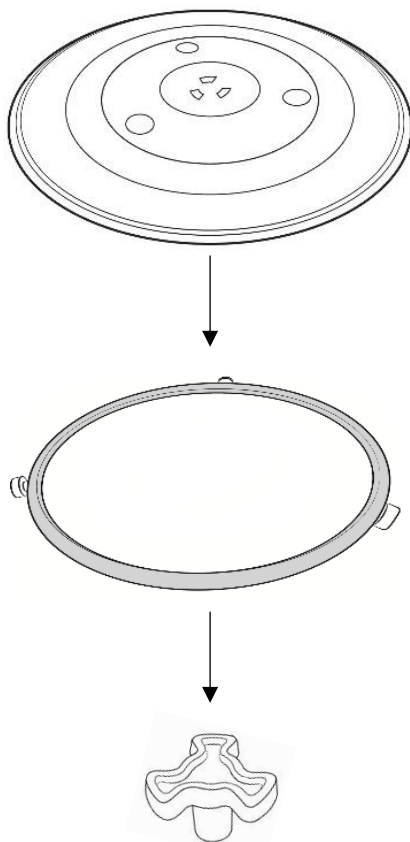


ÉTAPE 3) La plaque tournante en verre devrait s'aligner sur l'accouplement de la plaque tournante



INSTALLATION DE LA PLAQUE TOURNANTE

La plaque tournante en verre, l'anneau de la plaque tournante et l'ensemble d'accouplement de la plaque tournante doivent toujours être utilisés pendant la cuisson (comme illustré ci-dessous).



- Ne placez pas de nourriture directement sur la plaque tournante en verre ; mettez-la toujours dans un récipient adapté à une cuisson au micro-ondes.

Vérifiez que les ustensiles peuvent être utilisés au micro-ondes avant de vous en servir.

- Si la plaque tournante en verre ou l'anneau de la plaque tournante a été endommagé de manière quelconque, veuillez contacter notre service clientèle au europa@productcaregroup.com qui se fera un plaisir de vous aider.

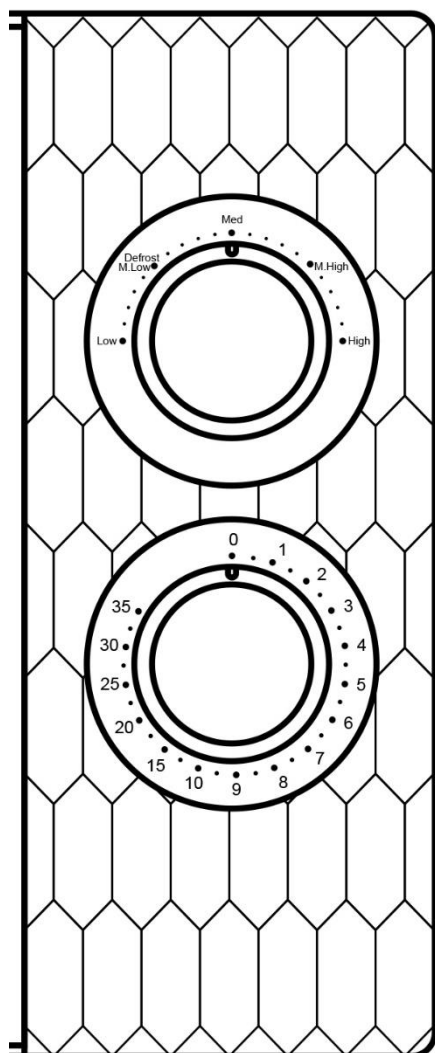
PANNEAU DE COMMANDE

CADRAN de contrôle de la puissance

Il y a 5 niveaux de puissance et une fonction de décongélation, que vous pouvez sélectionner à l'aide du cadran de contrôle de puissance.

Plus le réglage de puissance est bas, plus le four à micro-ondes sera lent à chauffer la nourriture. Veillez à respecter les directives figurant sur l'emballage lors de la sélection d'un programme.

Pour décongeler la nourriture, réglez la flèche du cadran à « **Defrost** ».



Cadran de contrôle du TIME

Tournez le cadran dans le sens horaire pour augmenter le temps de cuisson.

Le temps de cuisson réglable maximum est de 35 minutes.

La flèche du cadran indiquera le nombre de minutes que vous avez sélectionné, chaque marque circulaire représentant deux minutes.

Lorsque le temps de cuisson a expiré, le micro-ondes émettra une sonnerie pour vous signaler que la cuisson est terminée.

Si vous souhaitez régler le temps de la cuisson à moins de deux minutes, tournez le cadran dans le sens horaire en dépassant le repère des deux minutes, puis retournez dans le sens anti-horaire à moins de deux minutes.

UTILISATION DU MICRO-ONDES

- Placez la nourriture à cuire ou à décongeler dans un récipient adapté à la cuisson à micro-ondes, et recouvrez la nourriture d'un couvercle adéquat et d'un film alimentaire pour micro-ondes (percez le film à l'aide d'une fourchette).
- Placez le récipient dans le four à micro-ondes et fermez la porte.
- Sélectionnez le niveau de puissance que vous souhaitez en tournant le cadran **POWER**.
- Sélectionnez le temps de cuisson que vous souhaitez en tournant le cadran **TIME**. Suivez les directives du fabricant que vous trouverez sur l'emballage. Le temps de cuisson maximum est de 35 minutes.
- Si vous souhaitez un temps de cuisson inférieur à 2 minutes, tournez le cadran **TIME** à plus de 2 minutes et faites ensuite marche arrière jusqu'à la durée souhaitée.
- Dès que la minuterie a été configurée, le four à micro-ondes commencera à cuire ou à décongeler la nourriture.
- La cuisson ou la décongélation peut être interrompue à tout moment en ouvrant simplement la porte, pour mélanger ou vérifier le stade de cuisson. Une fois la porte refermée, le four à micro-ondes poursuivra automatiquement son cycle de cuisson pendant le temps restant.
- Une fois le temps de cuisson terminé, une sonnerie retentira et le four à micro-ondes se mettra automatiquement à l'arrêt.
- Laissez reposer la nourriture entre 30 secondes et 1 minute et mélangez les liquides avant de servir.
- S'il reste du temps sur le cadran, remettez le cadran à « 0 ». La sonnerie du four à micro-ondes retentira.

Réglage de PUISSANCE	Puissance équivalente
Basse	17 %
Defrost	30 %
M. Basse	30 %
Moyenne	55 %
M. Élevée	80 %
Élevée	100 %

CONSEILS DE CUISSON

Conseils de décongélation

Les micro-ondes pénètrent généralement à une profondeur de 4 cm dans la plupart des aliments. Pour optimiser l'efficacité de la décongélation, suivez les directives suivantes.

1. Pour les aliments épais, tournez-les régulièrement pendant le processus pour qu'ils décongèlent uniformément.
2. Si la nourriture pèse plus de 500 g, il est conseillé de la tourner au moins 2 fois.
3. Les aliments décongelés doivent être consommés le plus rapidement possible, il est déconseillé de les remettre au réfrigérateur ou de les recongeler.

Conseils de cuisson - Les facteurs suivants peuvent affecter les résultats de la cuisson :

Disposition de la nourriture

Si possible, les morceaux de nourriture plus épais doivent être placés sur les bords du plat et les morceaux plus fins vers le centre, en les étalant le plus possible. Ne superposez pas la nourriture, si possible, car ceci peut résulter en une cuisson irrégulière.

Temps de cuisson

Si vous n'êtes pas sûr des temps de cuisson, il est conseillé de commencer avec un temps de cuisson court, et de surveiller la progression de la cuisson avant de prolonger le temps de cuisson. Une sur-cuisson peut entraîner un risque d'incendie. Vérifiez que la nourriture est bien cuite avant de la consommer.

Cuisson uniforme

Les aliments tels que la viande doivent être tournés fréquemment pour obtenir des résultats de cuisson plus uniformes. Si la nourriture est à base d'un liquide, il est conseillé de mélanger pendant le temps de cuisson.

Laisser reposer

Lorsque le four à micro-ondes a arrêté de cuire, laissez la nourriture reposer pendant une durée adéquate pour que la cuisson se termine et que les aliments refroidissent.

NETTOYAGE DU MICRO-ONDES

- Avant de nettoyer votre four, **mettez-le à l'arrêt et débranchez-le.**
- Veillez à ce que l'intérieur de votre four soit propre. Lorsque la nourriture ou les liquides adhèrent aux parois du four, essuyez-les avec un chiffon humide. Nous vous recommandons de ne pas utiliser de détergents ou produits abrasifs agressifs.
- Sur la paroi droite de la cavité se trouve un guide-ondes que traversent les micro-ondes pour cuire la nourriture. Il est important de veiller à tout moment à la propreté de ce guide-ondes. Pour cela, essuyez-le à l'aide d'eau et d'un détergent, puis séchez-le.
- Vous devriez nettoyer l'extérieur du four avec un chiffon humide. **Veillez à ne pas laisser d'eau couler dans les prises d'air.**
- **Veillez à ce que le panneau de commande ne soit pas mouillé.** Nettoyez avec un chiffon doux et humide. N'utilisez pas de détergents ou d'agents de nettoyage à vaporiser abrasifs sur le panneau de commande.
- En cas d'accumulation de vapeur à l'intérieur ou autour de la porte du four, essuyez-la avec un chiffon doux. Ceci peut se produire lorsque le four à micro-ondes est utilisé dans des conditions humides.
- Enlevez régulièrement la plaque tournante en verre pour la nettoyer avec de l'eau savonneuse chaude. Nettoyez régulièrement le support de la plaque tournante et la surface inférieure du four. Essuyez simplement la surface inférieure du four avec de l'eau et un détergent doux, et séchez-la. Vous pouvez laver le support de la plaque tournante dans de l'eau légèrement savonneuse.
- Lorsque vous sortez le support de la plaque tournante du four, assurez-vous de le remettre en place correctement.
- Si l'intérieur du four a une mauvaise odeur, placez une tasse d'eau avec le jus et l'écorce d'un citron dans un bol profond adapté pour cuisson au micro-ondes. Faites-le cuire au micro-ondes pendant trois minutes, essuyez soigneusement et séchez à l'aide d'un chiffon sec.

INFORMATIONS IMPORTANTES SUR LES USTENSILES

- N'utilisez pas de casseroles métalliques ou de plats avec des poignées en métal.
- N'utilisez pas de récipient avec une garniture métallique.
- N'utilisez pas de liens métalliques recouverts de papier pour fermer les sacs en plastique.
- N'utilisez pas de plats en mélamine car ils contiennent un matériau qui absorbera l'énergie des micro-ondes. Ceci peut fissurer ou brûler les plats et ralentira la vitesse de cuisson.
- Utilisez uniquement des récipients et ustensiles approuvés pour utilisation dans un four à micro-ondes.
- N'utilisez pas de récipients de cuisson avec une ouverture restreinte, comme les bouteilles, car ils risquent d'exploser.
- Veillez à enlever la tétine avant de chauffer un biberon. Enlevez-la si vous remplacez le biberon dans le four.
- Utilisez uniquement des thermomètres qui sont approuvés pour utilisation dans un four à micro-ondes.
- N'utilisez pas le four à micro-ondes pour chauffer des ustensiles.

RÉSOLUTION DE PROBLÈMES



AVERTISSEMENT : Pour réduire le risque de blessures corporelles, débranchez toujours le four à micro-ondes avant toute intervention de maintenance ou vérification pour dépister une panne.

Le four à micro-ondes peut brouiller votre radio, téléviseur ou équipement similaire. Dans ce cas, vous pouvez éliminer le brouillage en déplaçant la radio, le téléviseur ou l'équipement le plus loin possible de votre four à micro-ondes.

Problème	Raison possible	Solution possible
Si le four à micro-ondes ne fonctionne pas	1. Le micro-ondes n'est pas branché	Vérifiez que la fiche est branchée en toute sécurité sur l'alimentation de secteur et que la prise est activée. Dans le cas contraire, enlevez la fiche de la prise, attendez 10 secondes et rebranchez-la une nouvelle fois en toute sécurité.
	2. La fiche ne fonctionne pas.	La prise dans laquelle est branché le four à micro-ondes est peut-être défectueuse. Branchez le four à micro-ondes dans une autre prise que vous savez être en bon état de marche, vérifiez que la prise est activée et que le four à micro-ondes fonctionne.
	3. La fiche a sauté un fusible ou le circuit de secteur comporte un fusible qui a sauté.	Vérifiez la fiche en cas de fusible sauté ou de disjoncteur activé. Si elle semble fonctionner correctement, testez la prise avec un autre appareil.
	4. Le four à micro-ondes est défectueux.	Contactez le service clientèle pour discuter du problème et voir s'il est possible d'y trouver une solution. À défaut, et si le produit est encore couvert par la garantie, il doit être renvoyé au revendeur qui l'a vendu pour obtenir un remplacement ou un remboursement.
Si la puissance des micro-ondes ne fonctionne pas	1. La porte n'est pas fermée	Veillez à ce que la porte soit bien fermée. Sinon, le four à micro-ondes ne s'engagera pas ou ne fonctionnera pas.
	2. Le cadran de contrôle du temps n'a pas été réglé.	Vous devez tourner le cadran de contrôle du temps dans le sens horaire pour régler le temps de cuisson et commencer la cuisson.
Ne chauffe pas	Le magnétron ne fonctionne pas	Le composant qui produit les micro-ondes est un magnétron. Si les aliments n'ont pas chauffé ou s'ils sont tièdes, il est vraisemblable que ce composant soit défectueux. Si le four à micro-ondes est encore sous garantie, veuillez contacter le service clientèle pour obtenir des renseignements complémentaires ou ramenez le four au revendeur qui vous l'a vendu pour obtenir un remboursement ou un remplacement.

RÉSOLUTION DE PROBLÈMES

Problème	Raison possible	Solution possible
Étincelles	1. Débris alimentaires brûlés	<p>Les déversements ou les éclaboussures peuvent brûler et prendre feu. Toute la nourriture qui est placée à l'intérieur du four doit être couverte de manière adéquate. Tous les déversements ou les éclaboussures doivent être nettoyés et toutes les parties du four à micro-ondes doivent être nettoyées après chaque usage.</p> <p>Les débris alimentaires brûlés qui se trouvent dans le micro-ondes, sur et derrière le guide-ondes peuvent provoquer des « étincelles » dans le four. En effet, les débris brûlés peuvent être ciblés par les micro-ondes et provoquer des étincelles.</p> <p>Le four à micro-ondes doit être nettoyé avec soin après chaque usage pour veiller à ce qu'il n'y ait aucun dépôt alimentaire brûlé sur aucune partie du four.</p> <p>En cas d'étincelles dans le four à micro-ondes, le guide-ondes doit être enlevé, le four à micro-ondes <u>doit</u> être nettoyé à fond et vous devez ensuite contacter le service clientèle pour obtenir un guide-ondes de rechange.</p> <p>Le guide-ondes de rechange devra être installé pour que le micro-ondes fonctionne normalement. Toutefois, si le micro-ondes recommence à produire des « étincelles » lors de sa première utilisation (après le remplacement du guide-ondes et le nettoyage du four à micro-ondes), veuillez contacter le service clientèle pour obtenir des conseils.</p>
	2. Métal ou aluminium	<p>Aucun métal ou aluminium ne doit être placé à l'intérieur du four à micro-ondes pour éviter de produire des « étincelles » qui risquent d'endommager le four.</p> <p>Les seuls accessoires métalliques pouvant être utilisés à l'intérieur du four à micro-ondes sont ceux qui ont été fournis par le fabricant.</p>
	3. Accumulation de pression dans les aliments	<p>Les aliments avec des peaux non poreuses (par exemple les pommes de terre) doivent être percés pour permettre à la vapeur de se dégager. En effet, l'accumulation de pression peut faire éclater les aliments et créer un « risque d'incendie ».</p>
Points chauds	Utilisé à vide ou sans humidité	<p>Les fours à micro-ondes ne peuvent pas être utilisés à vide et ils ont besoin d'humidité pour fonctionner correctement.</p> <p>Si le four à micro-ondes est utilisé à vide ou pour chauffer des assiettes (ce qui n'est pas autorisé), les micro-ondes cibleront un seul point à l'intérieur du four. Ceci peut créer un point chaud qui risque de déformer la zone, de la gondoler ou de la faire fondre.</p> <p>Si le four à micro-ondes est utilisé à vide ou pour chauffer des corps étrangers, la garantie ne sera plus valide.</p>

RÉSOLUTION DE PROBLÈMES

Problème	Raison possible	Solution possible
Condensation ou surplus d'eau	1. Aliments en cours de cuisson	En raison du fonctionnement d'un micro-ondes, il « excite » les molécules d'eau des aliments qu'il chauffe, ce qui les fait bouger et génère de la chaleur depuis l'intérieur des aliments. Souvent, lorsque les aliments chauffent, ils atteignent le stade où la vapeur se dégage. Selon le type d'aliment chauffé (et sa teneur en eau), la longueur du temps de chauffe - et donc la quantité de vapeur produite -, il est inévitable que de la vapeur se condense et produise des gouttelettes d'eau dans la cavité du four à micro-ondes. La vapeur s'accumule généralement sur les parois intérieures ou le plus souvent au verso de la porte en verre. Si elles ne sont pas nettoyées, ces gouttelettes peuvent former de petites « flaques » d'eau.
	2. Prises d'air couvertes	Les prises d'air permettent à la chaleur et à la vapeur de sortir du micro-ondes. Elles ne peuvent pas être couvertes car ceci entraîne une accumulation excessive d'eau à l'intérieur du micro-ondes ou une surchauffe du micro-ondes. La notice d'installation de ce manuel doit être respectée pour que la garantie reste valide.
Détérioration de la peinture/écaillage	Maintenance	Si le four à micro-ondes est encore sous garantie, veuillez contacter le service clientèle pour obtenir des renseignements complémentaires ou ramenez le four au revendeur qui vous l'a vendu pour obtenir un remboursement ou un remplacement.
La lumière ne fonctionne pas	L'ampoule ne fonctionne pas	En raison de la construction des micro-ondes et de certains composants « dangereux » à l'intérieur, l'ampoule peut uniquement être remplacée par un technicien de service compétent. Si le four à micro-ondes est encore sous garantie, veuillez contacter le service clientèle pour obtenir des renseignements complémentaires ou ramenez le four au revendeur qui vous l'a vendu pour obtenir un remboursement ou un remplacement.
Surchauffe	Prises d'air couvertes	Les prises d'air permettent à la chaleur et à la vapeur de sortir du micro-ondes. Elles ne peuvent pas être couvertes car ceci entraîne une accumulation excessive d'eau à l'intérieur du micro-ondes ou une surchauffe du micro-ondes. La notice d'installation de ce manuel doit être respectée pour que la garantie reste valide.

RÉSOLUTION DE PROBLÈMES

Problème	Raison possible	Solution possible
La porte ne ferme pas/ ne se verrouille pas	1. La plaque tournante en verre a été mal installée.	Vérifiez que la plaque tournante en verre a été placée correctement et qu'elle n'empêche pas la porte de se fermer correctement.
	2. Les verrous sont déformés	Si le four à micro-ondes est encore sous garantie, veuillez contacter le service clientèle pour obtenir des renseignements complémentaires ou ramenez le four au revendeur qui vous l'a vendu pour obtenir un remboursement ou un remplacement.
La plaque tournante ne tourne pas.	1. L'accouplement de la plaque tournante n'est pas installé ou le ruban adhésif n'a pas été enlevé.	Vérifiez que l'accouplement de la plaque tournante est installé correctement et que le ruban de transport a été enlevé.
	2. L'anneau de roulement de la plaque tournante n'est pas installé ou n'a pas été installé correctement.	Vérifiez que l'accouplement a bien été mis en place sous la plaque tournante.
	3. La plaque tournante en verre a été mal installée.	Vérifiez que la plaque tournante en verre a bien été mise en place sous la plaque tournante.
	4. La plaque tournante est défectueuse.	Si le four à micro-ondes est encore sous garantie, veuillez contacter le service clientèle pour obtenir des renseignements complémentaires ou ramenez le four au revendeur qui vous l'a vendu pour obtenir un remboursement ou un remplacement.
Trop bruyant	1. La plaque tournante en verre a été mal installée.	Vérifiez que la plaque tournante en verre a été placée correctement et qu'elle ne heurte pas les parois/portes du four à micro-ondes pendant le processus.
	2. Assiettes/plats trop grands pour le micro-ondes	Vérifiez que les assiettes/plats sont de la taille qui convient pour le micro-ondes et qu'ils ne heurtent pas les parois/la porte du micro-ondes pendant la cuisson.

GARANTIE ET SERVICE CLIENTÈLE

Ce produit est garanti 12 mois à compter de la date d'achat d'origine. En cas de vice résultant de matériaux défectueux ou de la main d'œuvre, le produit défectueux doit être renvoyé au lieu d'achat.

Le remboursement ou le remplacement sera à la discrétion du revendeur.

Les conditions suivantes sont applicables :

- Le produit doit être retourné au revendeur avec le justificatif d'achat d'origine.
- Le produit doit être installé et utilisé conformément aux instructions figurant dans le présent guide et aux autres notices d'utilisation qui sont fournies.
- Il doit être utilisé uniquement aux fins pour lesquelles il a été conçu et exclusivement pour un usage domestique.
- Cette garantie ne couvre pas l'usure, les détériorations, la mauvaise utilisation ou les pièces de consommation.

Ceci n'affecte pas vos droits statutaires.

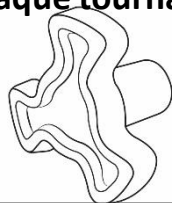
Services clients et pièces de rechange :

Région	Coordonnées	Site Web
Royaume-Uni et Irlande du Nord	0345 209 7461	mda.russellhobbs.com
Irlande	1 800 938982	ie.mda.russellhobbs.com
Reste de l'Europe	europe@productcaregroup.com	de.mda.russellhobbs.com fr.mda.russellhobbs.com es.mda.russellhobbs.com it.mda.russellhobbs.com nl.mda.russellhobbs.com

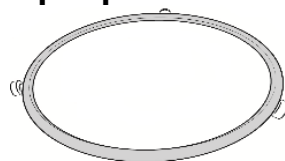
PIÈCES DE RECHANGE

Pour vérifier la disponibilité des pièces de rechange suivantes, il vous suffit de contacter notre service clientèle en composant le europe@productcaregroup.com.

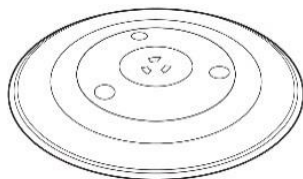
Accouplement de la plaque tournante



Anneau de la plaque tournante



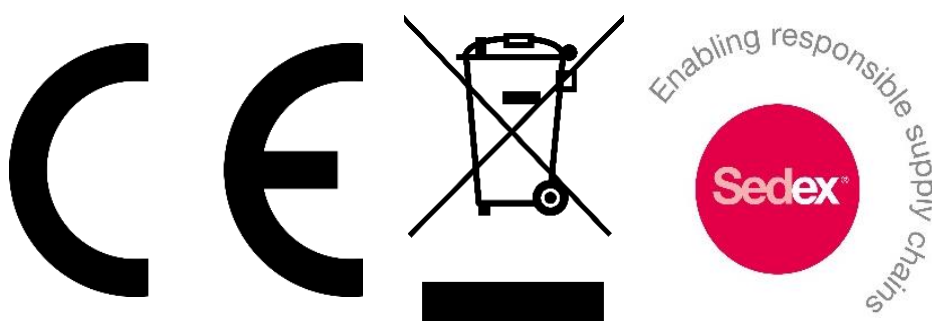
Plaque tournante en verre





Russell Hobbs

Fabriqué par Product Care Trading Limited sous licence de Spectrum Brands (UK) Limited. Product Care Trading Ltd, Unit 1, Green Bank Business Park, Swan Lane, Hindley Green, Wigan, WN2 4AY, United Kingdom / Product Care (Ireland) Ltd, Unit 3D North Point House, North Point Business Park, New Mallow Road, Cork, T23 AT2P, Ireland. Russell Hobbs est une marque commerciale déposée de Spectrum Brands (UK) Ltd.



Ce symbole représentant une poubelle à roulettes est connu sous l'appellation de la « poubelle barrée ». Lorsque ce symbole figure sur un produit/des piles, cela signifie que le produit/les piles ne peuvent pas être éliminés avec vos déchets domestiques normaux. Éliminez uniquement les appareils électriques/électroniques/piles par le biais des programmes de tri qui permettent la récupération et le recyclage des matériaux qu'ils contiennent. Votre coopération est indispensable pour garantir le succès de ces initiatives et assurer la protection de l'environnement.

SEDEX - Relier les entreprises et leurs fournisseurs à l'échelle internationale pour échanger des données éthiques et permettre d'apporter l'amélioration des performances éthiques. Consultez le site www.sedex.org.uk pour tous renseignements complémentaires.

Nous nous réservons le droit, éventuellement en raison de modifications de la conception, de modifier le manuel d'instruction sans préavis.

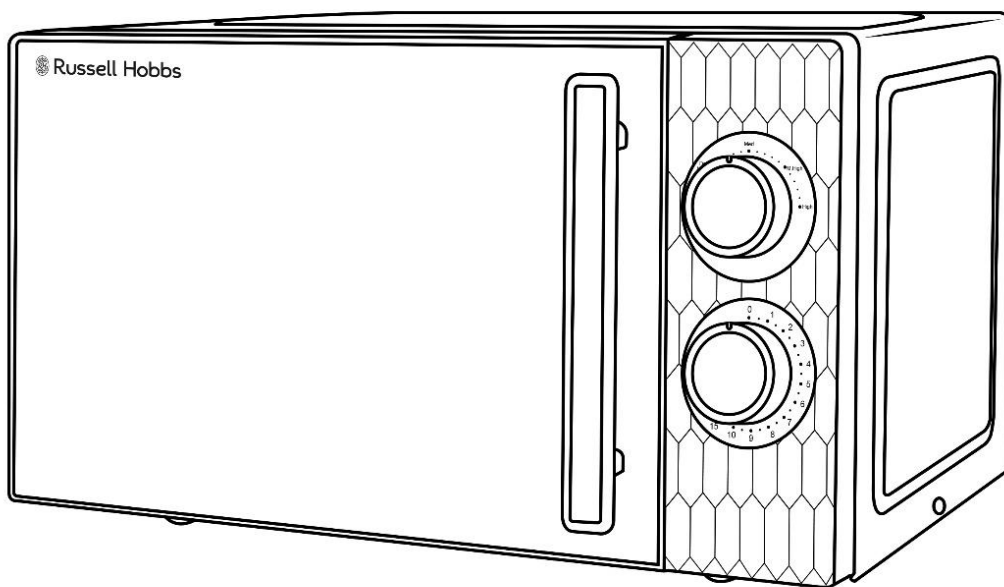


Points de collecte sur www.quefairedemesdechets.fr
Privilégiez la réparation ou le don de votre appareil !



Russell Hobbs

Design a nido d'ape
Forno a microonde manuale compatto
Manuale d'uso



Modello:
RHMM715 (-EUAZ), (B-EUAZ)

CONSERVARE PER RIFERIMENTO
FUTURO

SOMMARIO

	Pagina/e
Istruzioni di sicurezza	118-124
Il forno a microonde	125-127
Informazioni sul prodotto	128
Disimballaggio del forno a microonde	129
Descrizione del prodotto	130
Installazione del forno a microonde	131
Installazione del piatto girevole	132-133
Pannello comandi	134
Uso del forno a microonde	135
Consigli per la cottura	136
Pulizia del forno a microonde	137
Informazioni importanti sugli utensili	138
Risoluzione dei problemi	139-142
Garanzia e Assistenza clienti	143
Componenti di ricambio	144
Informazioni sullo smaltimento	148

ISTRUZIONI DI SICUREZZA

ISTRUZIONI IMPORTANTI DI SICUREZZA

LEGGERE ATTENTAMENTE E CONSERVARE PER FUTURO RIFERIMENTO

AVVERTENZA:

- Non mettere in funzione il forno se lo sportello o le sue guarnizioni sono danneggiati, finché non è stato riparato da un addetto competente.
- Qualsiasi intervento di manutenzione o riparazione che prevede la rimozione di una copertura contro l'esposizione all'energia a microonde va eseguito esclusivamente da un addetto competente.
- Non riscaldare liquidi e altri alimenti in contenitori chiusi ermeticamente, in quanto possono esplodere.
- L'apparecchio e le sue parti accessibili possono scaldarsi molto durante l'uso. Evitare di toccare gli elementi termici.
- Non lasciare il forno a microonde incustodito durante l'uso.
- Non usare il forno a microonde quando è vuoto. Il forno potrebbe danneggiarsi.
- Questo apparecchio è realizzato per l'uso domestico e per applicazioni domestiche generali. Non è progettato per applicazioni commerciali o industriali.

ISTRUZIONI DI SICUREZZA

LEGGERE ATTENTAMENTE E CONSERVARE PER FUTURO RIFERIMENTO

AVVERTENZA:

- Questo forno a microonde è destinato esclusivamente al riscaldamento di alimenti e bevande. L'asciugatura di alimenti e capi di vestiario e il riscaldamento di termofori, cuscinetti riscaldanti con chicchi di grano, pantofole, spugne, panni umidi e simili possono comportare un rischio di infortunio, combustione o incendio.
- Non usare stoviglie di metallo, piatti con manici in metallo o altri oggetti con bordo metallico all'interno del forno a microonde. Non usare buste di plastica con lacci in metallo ricoperti di carta.
- Non introdurre mai oggetti nelle aperture presenti sull'esterno del forno.
- Questo elettrodomestico può essere utilizzato dai bambini a partire da 8 anni e da persone con capacità mentali, sensoriali e fisiche ridotte o mancanza di esperienza, solo se sorvegliati o se hanno ricevuto istruzioni adeguate per l'uso sicuro dell'apparecchio e comprendono i potenziali pericoli. Ai bambini non è consentito giocare con questo prodotto.
- I cibi contenenti una miscela di grassi e acqua (ad esempio, il brodo) devono riposare da 30 a 60 secondi nel forno dopo che è stato spento. In questo modo la miscela può sedimentarsi, evitando il gorgogliamento quando viene inserito un cucchiaino o aggiunto un dado da brodo.

ISTRUZIONI DI SICUREZZA

LEGGERE ATTENTAMENTE E CONSERVARE PER FUTURO RIFERIMENTO

AVVERTENZA:

- Per il riscaldamento o la cottura di alimenti o liquidi, ricordarsi che alcuni alimenti (ad esempio, marmellate, pudding di Natale e carne tritata) si riscaldano molto velocemente.
- Il riscaldamento a microonde delle bevande può provocare un'ebollizione ritardata, con fuoriuscita di liquido. Pertanto, fare attenzione nel maneggiare il contenitore.
- Mescolare o agitare il contenuto dei biberon e dei vasetti di alimenti per neonati e controllarne la temperatura prima del consumo, per evitare ustioni. Non riscaldare i biberon con la tettarella applicata. Rimuoverla se il biberon deve essere rimesso nel forno.
- Non riscaldare nel forno uova con guscio e uova sode intere in quanto potrebbero esplodere, anche dopo il termine del riscaldamento nel forno a microonde.
- Non cuocere alimenti circondati da membrane, come tuorli d'uovo, patate, fegatini di pollo, salsicce, pietanze pronte ecc., senza forarli più volte con una forchetta.
- Non friggere gli alimenti nel forno a microonde.
- Non cuocere troppo gli alimenti.

ISTRUZIONI DI SICUREZZA

LEGGERE ATTENTAMENTE E CONSERVARE PER FUTURO RIFERIMENTO

AVVERTENZA:

- Quando si riscaldano alimenti in recipienti di plastica o carta, tenere il forno sotto controllo per via del rischio di combustione.
- Se i materiali all'interno del forno sprigionano fumo o prendono fuoco, tenere chiuso lo sportello del forno per soffocare le fiamme, spegnere il forno dall'interruttore a parete, oppure spegnere l'alimentazione al fusibile o sul pannello degli interruttori. Se viene emesso del fumo, spegnere il forno o disinserire la spina del cavo di alimentazione e tenere lo sportello chiuso per soffocare le eventuali fiamme.
- Si ricorda che gli alimenti e i liquidi rilasciano vapore o possono produrre schizzi quando vengono riscaldati. Non coprire mai del tutto i contenitori; lasciare sempre uno spazio per la fuoriuscita del vapore.
- Non usare contenitori di plastica per riscaldare o cuocere alimenti contenenti molti grassi o zuccheri.
- Tenere sempre il piatto girevole di vetro e il suo supporto in posizione durante l'uso del forno a microonde.
- Non cuocere gli alimenti direttamente sul piatto girevole di vetro. Collocare il cibo su un piatto adatto o in una ciotola prima di inserirlo nel forno.

ISTRUZIONI DI SICUREZZA

LEGGERE ATTENTAMENTE E CONSERVARE PER FUTURO RIFERIMENTO

AVVERTENZA:

- Non usare piatti in melaminico, in quanto contengono un materiale che assorbe l'energia a microonde. Di conseguenza, potrebbero rompersi o bruciarsi e rallentare la velocità di cottura.
- Usare solo vasellame e utensili adatti all'uso in forno a microonde.
- Non usare il forno a microonde per riscaldare utensili, piatti o vasellame.
- Non cuocere in contenitori con aperture strette, come le bottiglie, in quanto potrebbero esplodere.
- Prima di pulire il forno a microonde, spegnerlo e scollegarlo dalla rete elettrica.
- Mantenere pulito l'interno del forno. Se alimenti o liquidi aderiscono alle pareti del forno, ripulirli con un panno umido. L'uso di prodotti per la pulizia aggressivi o abrasivi è sconsigliato.

ISTRUZIONI DI SICUREZZA

LEGGERE ATTENTAMENTE E CONSERVARE PER FUTURO RIFERIMENTO

AVVERTENZA:

- Sulla parete destra della vano del forno vi è il coperchio della guida d'onda in plastica, attraverso il quale entrano le microonde per consentire la cottura del cibo. **È importante che questo coperchio della guida d'onda sia sempre mantenuto pulito.** A tale scopo, passarlo con acqua e un detersivo delicato, quindi asciugarlo.
- Pulire periodicamente il forno e asportare gli eventuali residui di cibo. La scarsa pulizia del forno può provocare il deterioramento della superficie, pregiudicare la durata dell'apparecchio e creare situazioni di pericolo.
- Pulire l'esterno del forno con un panno umido. Non lasciare penetrare acqua nelle aperture di ventilazione.
- Non utilizzare detersivi abrasivi o raschietti metallici per pulire il vetro dello sportello, per non graffiare la superficie e causare la rottura del vetro.
- In caso di formazione di vapore all'interno o attorno all'esterno dello sportello del forno, passare le superfici con un panno morbido. Questo può accadere se il forno a microonde viene usato in presenza di umidità.

ISTRUZIONI DI SICUREZZA

LEGGERE ATTENTAMENTE E CONSERVARE PER FUTURO RIFERIMENTO

AVVERTENZA:

- Rimuovere periodicamente il piatto girevole di vetro per la pulizia; lavarlo in acqua calda con sapone o in lavastoviglie. Pulire periodicamente il supporto del piatto girevole e la base del forno. È sufficiente passare la superficie della base del forno con acqua e un detersivo delicato, quindi asciugarla. È possibile lavare il supporto del piatto girevole in acqua con sapone delicato.
- Una pulizia non ottimale del forno, in particolare in presenza di liquidi residui sotto il piatto girevole, può provocare deterioramento della superficie con conseguente riduzione della durata dell'apparecchio e possibili situazioni di pericolo.
- Ai bambini non è consentito giocare con questo prodotto. La pulizia e la manutenzione non possono essere effettuate da bambini senza supervisione.
- Se il cavo elettrico è danneggiato, deve essere sostituito dal produttore, da un suo tecnico autorizzato o da un addetto analogamente qualificato, per evitare situazioni di pericolo.

IL TUO FORNO A MICROONDE

Grazie per aver acquistato un forno a microonde Russell Hobbs.

Pratico ed elegante, il microonde RHMM715 è parte della collezione premium di Russell Hobbs per la colazione e fa da perfetto complemento al bollitore e al tostapane con design a nido d'ape, per un'estetica accattivante che grazie agli accenti in acciaio inox dà un tocco di stile al piano della tua cucina.

Una volta preparato il forno per il primo utilizzo, versa il cibo in un contenitore adatto, apri lo sportello e posiziona il contenitore sul piatto girevole assemblato. Ora basta selezionare un livello di potenza e il tempo di cottura richiesto, ruotando i selettori sul pannello comandi. La luce interna del forno a microonde indica che la cottura è in corso.

Il comodo avvisatore acustico si attiverà a fine cottura. Tutto qui! Cucinare non è mai stato così facile.

Con il forno a microonde RHMM715 è possibile preparare tutte le ricette nei minimi dettagli, utilizzando i 5 livelli di potenza disponibili. Ha una capienza di ben 17 litri e con la sua potenza di 700 W potrai riscaldare i piatti più diversi in pochi minuti. Per ulteriore funzionalità, l'essenziale impostazione scongelamento fa risparmiare tempo e consente la cottura delle pietanze direttamente dal freezer.

Facile da pulire - basta passarlo con un panno umido per mantenere prestazioni eccellenti. Scegli il forno RHMM715 per la massima comodità nella cottura a microonde.

IL TUO FORNO A MICROONDE

Come funziona il microonde?

Le microonde sono onde elettromagnetiche ad alta frequenza simili alle onde radio. Mentre le onde radio possono varie in lunghezza da un metro a molti chilometri, le microonde sono molto corte (meno di 12,5 centimetri).

Le microonde stesse non generano calore, ma fanno sì che le molecole d'acqua presenti nel cibo vibrino.

Questa vibrazione produce il calore che cuoce il cibo. Per questo motivo il cibo esce dal forno a microonde molto caldo, mentre gli utensili all'interno del forno si mantengono molto più freddi. Le microonde non rimangono nell'aria o nel cibo quando lo sportello del forno viene aperto.

Il forno a microonde funziona con una normale presa elettrica domestica. All'interno del forno a microonde, il magnetron trasforma l'energia elettrica in microonde.

Le microonde non possono attraversare il metallo, e per questo l'interno del forno è rivestito in metallo. Lo sportello è rivestito con una rete metallica fine che blocca il passaggio delle microonde. Ciò significa che quando lo sportello del forno a microonde è chiuso non vi è possibilità che vengano rilasciate microonde.

INFORMAZIONI SUL PRODOTTO

Tensione nominale	AC230 V/50 Hz
Potenza nominale in ingresso (microonde)	1100 W
Potenza nominale in uscita (microonde)	700 W
Capacità del forno	17 L
Diametro del piatto girevole	25,5 cm
Dimensioni esterne (Alt x Largh x Prof)	26,1 x 45,5 x 35,2 (cm)
Peso netto: ca.	11 Kg
Numero di livelli di potenza	5 incl. scongelamento
Accessori in dotazione	Accoppiatore del piatto girevole Anello del piatto girevole Piatto girevole di vetro

Consumo energetico

Informazioni sul consumo elettrico e il tempo massimo richiesto per giungere alla modalità a bassa potenza pertinente.

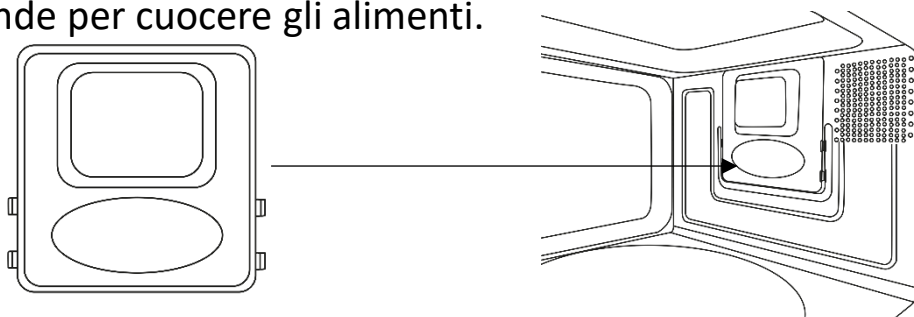
Modalità spento	0.3 W
------------------------	-------

*Il volume interno è calcolato misurando la larghezza, profondità e altezza massime. La capacità effettiva per gli alimenti è inferiore.

DISIMBALLAGGIO DEL FORNO A MICROONDE

Prima di utilizzare il forno a microonde

1. Rimuovere tutto il materiale di imballaggio. **Non** rimuovere il grande coperchio della guida d'onda in plastica dal lato destro della parete del vano del forno. (Vedere figura sotto). Questo si chiama coperchio della guida d'onda e consente il passaggio delle microonde per cuocere gli alimenti.



Tenere sempre pulita questa copertura passandola con un panno umido. Non rimuoverla né lavarla in lavastoviglie.

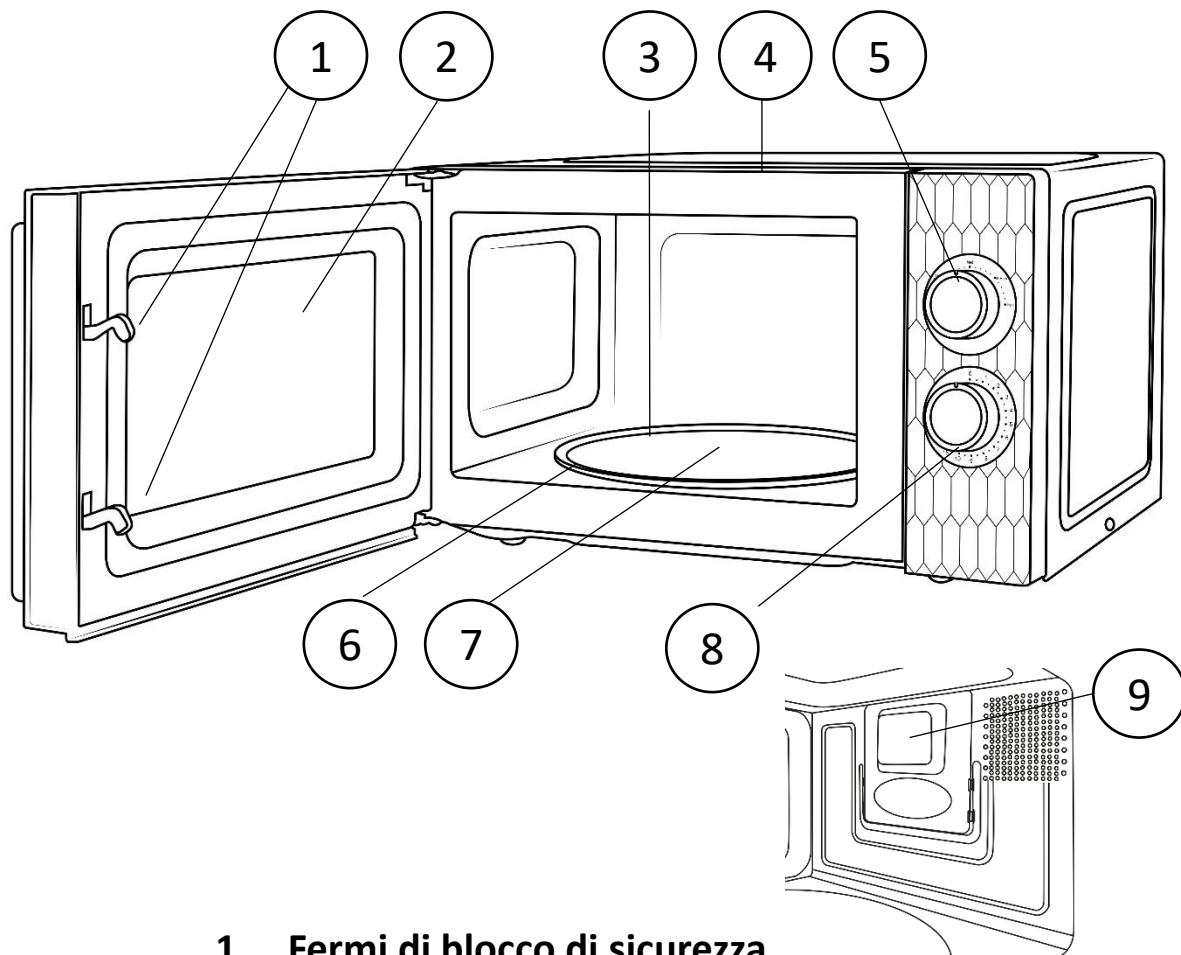
2. Controllare il forno dopo il disimballaggio, per verificare l'eventuale presenza di danni visibili come:

- Sportello allineato male
- Sportello danneggiato
- Ammacature o fori nel vetro e nella rete dello sportello
- Ammacature all'interno

In presenza di danni, **non usare il forno e contattare il team Assistenza clienti al** europe@productcaregroup.com.

Questo forno a microonde pesa circa 11 kg e pertanto deve essere collocato su una superficie orizzontale in grado di supportare il suo peso. Il forno deve essere posizionato lontano da sorgenti di alte temperature e vapore. Non appoggiare nulla sopra il forno a microonde.

DESCRIZIONE DEL PRODOTTO



1. **Fermi di blocco di sicurezza**
2. **Sportello e vetro**
3. **Piatto girevole di vetro**
4. **Telaio sportello interno del microonde**
5. **Selettore della potenza**
6. **Anello del piatto girevole**
7. **Accoppiatore del piatto girevole**
8. **Selettore del tempo**
9. **Coperchio della guida d'onda in plastica**

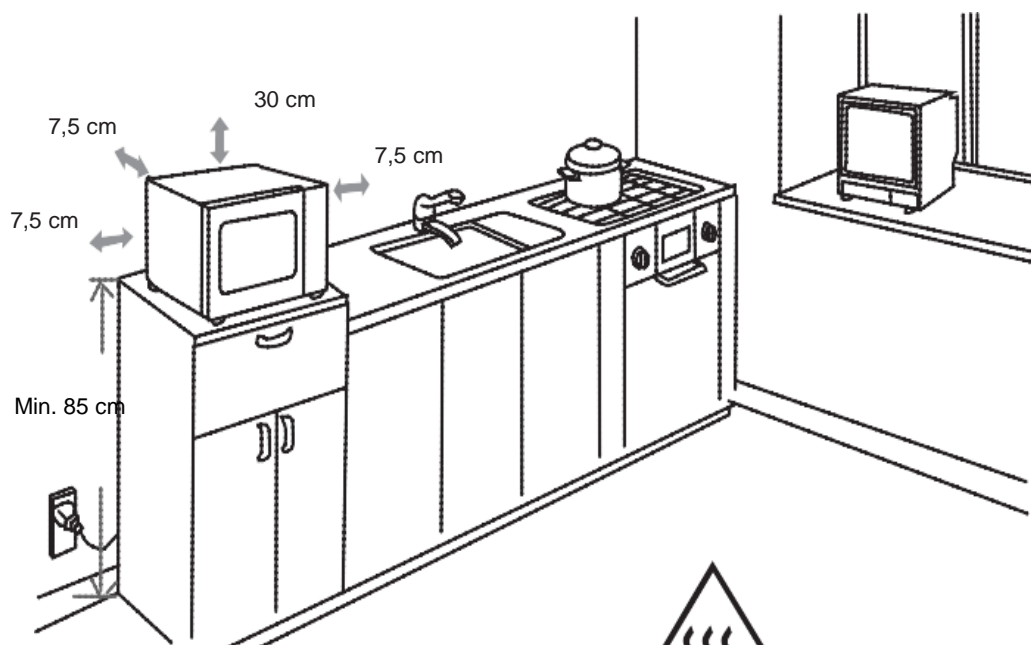
INSTALLAZIONE DEL FORNO A MICROONDE

L'altezza minima di installazione è 85 cm.

Si richiede uno spazio di almeno 7,5 cm tra il forno e le eventuali pareti adiacenti. Lasciare uno spazio di almeno 30 cm sopra il forno.

AVVERTENZA:

NON installare il forno sopra un fornello o altro apparecchio che genera calore o vapore, in quanto il forno a microonde potrebbe riportare danni.



NON ostruire la ventilazione dal forno a microonde

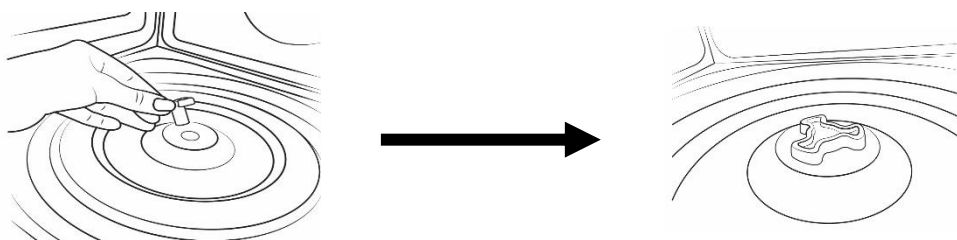


Questo simbolo significa "ATTENZIONE: superfici calde"

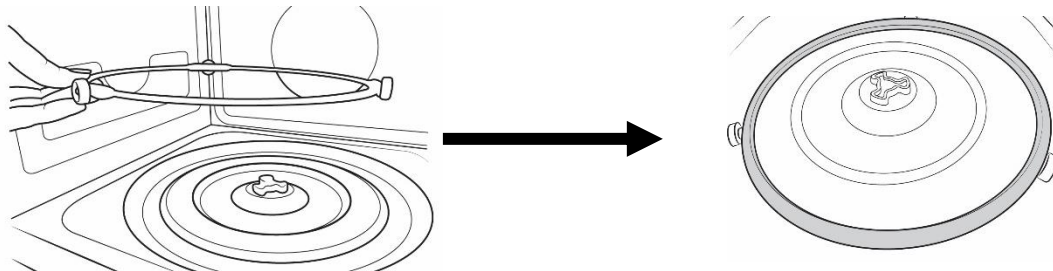
INSTALLAZIONE DEL PIATTO GIREVOLE

- Prima dell'uso iniziale, verificare che il nastro di protezione e tutto il materiale di imballaggio siano stati rimossi dal piatto girevole di vetro e dal suo anello.
- **Questi componenti non devono mai essere ostacolati nella rotazione.**
- Non inserire mai il piatto girevole di vetro in posizione capovolta.
- Per assemblare il piatto girevole, seguire i passaggi sotto in ordine numerico.

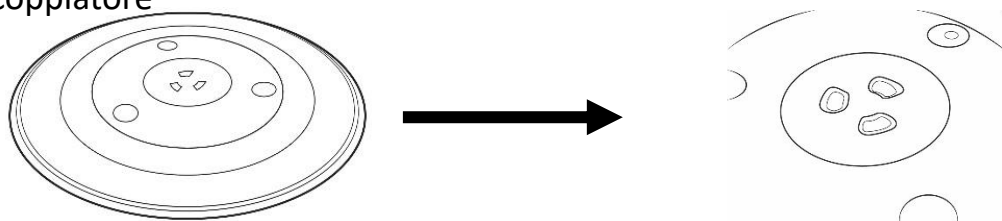
PASSAGGIO 1) Fare scattare in posizione l'accoppiatore del piatto girevole al centro del microonde



PASSAGGIO 2) Inserire l'anello del piatto girevole nelle scanalature presenti sulla base del microonde

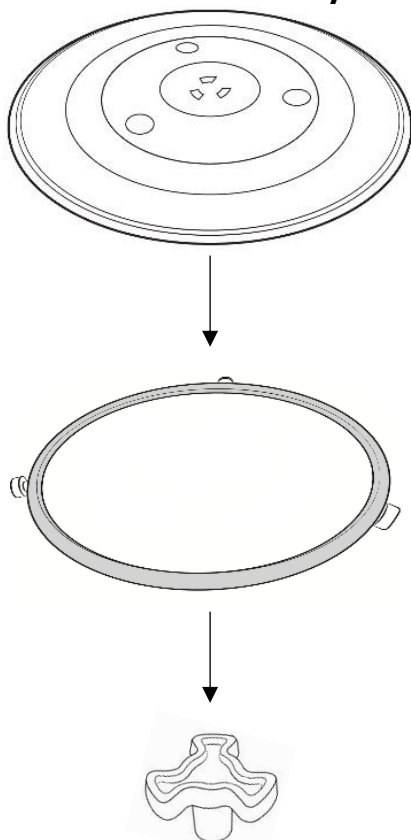


PASSAGGIO 3) Allineare il piatto girevole di vetro rispetto al suo accoppiatore



INSTALLAZIONE DEL PIATTO GIREVOLE

Usare sempre il piatto girevole di vetro, l'anello del piatto girevole e l'accoppiatore del piatto girevole durante la cottura (come illustrato sotto).



- Non appoggiare gli alimenti direttamente sul piatto girevole di vetro, ma collocarli sempre su o in vasellame idoneo per la cottura a microonde.

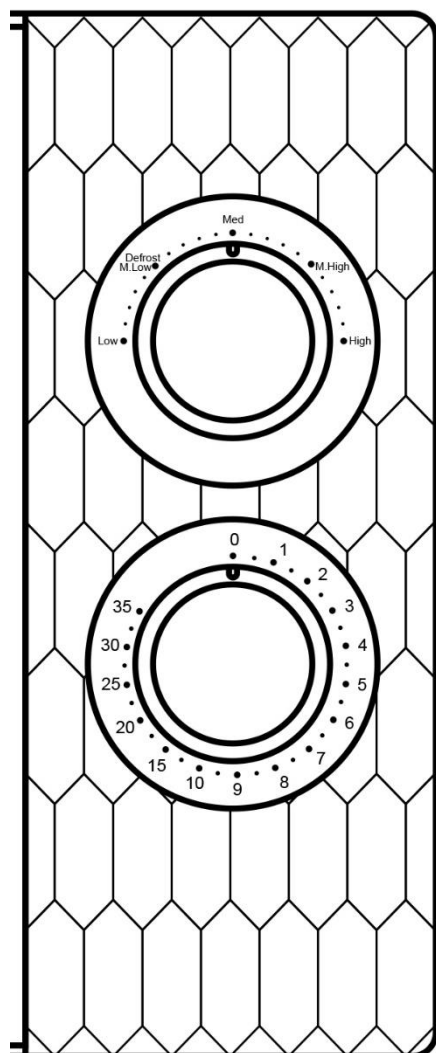
Prima dell'uso, controllare che il vasellame usato sia resistente alla cottura a microonde.

- Se il piatto girevole di vetro o il suo anello è danneggiato, contattare il nostro team Assistenza clienti al numero europa@productcaregroup.com.

PANNELLO COMANDI

Selettore della POTENZA

Ci sono 5 livelli di potenza tra cui una funzione di scongelamento da selezionare tramite il selettore di comando potenza. Più bassa è l'impostazione della potenza e più lentamente il microonde riscaldere il cibo. Seguire le linee guida riportate sulla confezione per la selezione di una modalità. Per scongelare il cibo, impostare la freccia del selettore su **"Defrost"**.



Selettore del TEMPO

Ruotare il selettore in senso orario per aumentare l'impostazione del tempo. È possibile impostare il tempo di cottura fino a 35 minuti.

La freccia sul selettore indica i minuti selezionati; ciascun segno circolare rappresenta due minuti.

Una volta scaduto il tempo, il forno a microonde emetterà un suono per avvertire che la cottura è completata.

Se si desidera impostare il tempo per meno di due minuti, ruotare il selettore in senso orario superando il segno di due minuti e indietro in senso antiorario a meno di due minuti.

USO DEL FORNO A MICROONDE

- Inserire il cibo da cuocere o scongelare in un contenitore adatto per microonde, coprire il cibo con un coperchio adatto o con una pellicola trasparente resistente alle microonde (forare la pellicola con una forchetta).
- Inserire il contenitore nel forno a microonde e chiudere lo sportello.
- Scegliere il livello di potenza desiderato ruotando il selettore **POWER**.
- Scegliere il tempo di cottura desiderato ruotando il selettore **TIME**. Seguire le linee guida del produttore sulla confezione. Il tempo di cottura massimo è di 35 minuti.
- Se si desidera cuocere per meno di 2 minuti, ruotare il selettore **TIME** superando 2 minuti, quindi indietro fino al tempo richiesto.
- Non appena il timer è stato impostato, il forno a microonde inizierà a cuocere o scongelare il cibo.
- Il processo di cottura o scongelamento può essere interrotto in qualsiasi momento per girare il cibo o controllare il processo di cottura, aprendo lo sportello. Alla chiusura dello sportello, il forno a microonde continuerà automaticamente il ciclo per il tempo rimasto.
- Al termine del tempo di cottura, il forno a microonde emette un segnale acustico e si spegne automaticamente.
- Fare riposare il cibo da 30 secondi a 1 minuto e mescolare eventuali liquidi prima di servire.
- Se sul selettore rimane del tempo, riportare il selettore su "0". Il microonde emetterà un segnale acustico.

Impostazione POWER	Potenza equivalente
Bassa	17%
Scongelamento	30%
M.bassa	30%
Media	55%
M.alta	80%
Alta	100%

CONSIGLI PER LA COTTURA

Consigli per lo scongelamento

Le microonde penetrano per circa 4 cm nella maggior parte degli alimenti. Per massimizzare l'efficienza di scongelamento, attenersi alle linee guida seguenti.

1. Nel caso di alimenti di spessore elevato, girarli periodicamente durante l'operazione, per uno scongelamento omogeneo.
2. Se l'alimento pesa più di 500 g è consigliabile girarlo almeno 2 volte.
3. Il cibo scongelato deve essere consumato nel più breve tempo possibile; non è consigliabile riporlo nel frigo o ricongelarlo.

Consigli per la cottura - i seguenti fattori possono influire sui risultati della cottura:

Distribuzione del cibo

Se possibile, posizionare le porzioni di cibo di spessore più elevato verso l'esterno del piatto e quelle più sottili al centro del piatto; distribuirle nel modo più uniforme possibile. Se possibile, non sovrapporre gli alimenti in quanto la cottura potrebbe risultare poco uniforme.

Durata della cottura

In caso di incertezza sui tempi di cottura è consigliabile iniziare con un tempo di cottura breve e monitorare il progresso della cottura prima di aggiungere ulteriore tempo. La cottura eccessiva può comportare un rischio di incendio. Accertarsi che il cibo sia ben cotto prima di consumarlo.

Cottura omogenea degli alimenti

Gli alimenti come la carne devono essere girati varie volte per garantire risultati di cottura più omogenei. Se l'alimento contiene liquidi, è consigliabile mescolare durante la cottura.

Tempo di riposo

Quando il microonde ha terminato la cottura, lasciare riposare il cibo per un tempo adeguato per consentire il completamento della cottura e il raffreddamento.

PULIZIA DEL FORNO A MICROONDE

- Prima di pulire il forno a microonde, **spegnere e staccare la sua spina dalla rete elettrica.**
- Mantenere pulito l'interno del forno. Se del cibo o dei liquidi aderiscono alle pareti del forno, ripulirli con un panno umido. L'uso di prodotti per la pulizia aggressivi o abrasivi è sconsigliato.
- Sulla parete destra della vano del forno vi è il coperchio della guida d'onda in plastica, attraverso il quale entrano le microonde per consentire la cottura del cibo. È importante che questo coperchio sia sempre mantenuto pulito. A tale scopo, passarlo con acqua e un detersivo delicato, quindi asciugarlo.
- Pulire l'esterno del forno con un panno umido. **Non lasciare penetrare acqua nelle aperture di ventilazione.**
- **Evitare che il pannello comandi si bagni.** Pulire con un panno morbido e umido. Non usare detersivi, abrasivi o pulitori a spruzzo sul pannello comandi.
- In caso di formazione di vapore all'interno o attorno all'esterno dello sportello del forno, passare con un panno morbido. Questo può accadere se il forno a microonde viene usato in presenza di umidità.
- Rimuovere periodicamente il piatto girevole di vetro per la pulizia, lavarlo in acqua calda con sapone. Pulire periodicamente il supporto del piatto girevole e la base del forno. È sufficiente passare la superficie della base del forno con acqua e un detersivo delicato, quindi asciugarla. È possibile lavare il supporto del piatto girevole in acqua con sapone delicato.
- In caso di rimozione del supporto del piatto girevole del forno, accertarsi di riposizionarlo correttamente.
- In presenza di odore all'interno del forno, mettere una tazza d'acqua con il succo e la buccia di un limone in una ciotola profonda adatta per forni a microonde. Cuocere a microonde per tre minuti, passare accuratamente le superfici e asciugare con un panno morbido.

INFORMAZIONI IMPORTANTI SUGLI UTENSILI

- Non usare stoviglie o vasellame in metallo o piatti con manici in metallo.
- Non usare oggetti con bordo in metallo.
- Non usare buste di plastica con lacci in metallo ricoperti di carta.
- Non usare piatti in melaminico, in quanto contengono un materiale che assorbe l'energia delle microonde. Di conseguenza, potrebbero rompersi o bruciarsi e rallentare la velocità di cottura.
- Usare solo vasellame approvato per l'uso in forno a microonde.
- Non cuocere in contenitori con apertura stretta, come le bottiglie, in quanto potrebbero esplodere.
- Non riscaldare biberon con la tettarella applicata. Rimuoverla se il biberon deve essere rimesso nel forno.
- Usare solo termometri approvati per l'uso in forno a microonde.
- Non usare il forno a microonde per riscaldare utensili.

RISOLUZIONE DEI PROBLEMI



AVVERTENZA: Per ridurre il rischio di infortuni alla persona, scollegare sempre il forno dalla rete elettrica prima di effettuare interventi di manutenzione o controlli per la risoluzione dei problemi.

Il forno a microonde può causare interferenze con radio, televisori o apparecchi simili. Se ciò accade, eliminare l'interferenza allontanando la radio, la TV o altro apparecchio il più possibile dal forno a microonde.

Problema	Possibile causa	Possibile soluzione
Se il forno a microonde non funziona	1. Il forno a microonde non è collegato alla rete elettrica	Accertarsi che la spina sia inserita bene nella presa di rete e che la presa sia attiva. In caso contrario, estrarre la spina dalla presa, attendere 10 secondi e inserire di nuovo la spina a fondo.
	2. La spina non funziona	La presa a cui il forno a microonde è collegato può essere diventata difettosa. Collegare il forno a un'altra presa funzionante, accertarsi che la presa sia attiva e controllare se il forno funziona.
	3. Il fusibile della spina è bruciato o il circuito di rete ha un fusibile bruciato/saltato	Controllare se il fusibile della spina è bruciato o se un interruttore automatico di rete è saltato. Se questi funzionano correttamente, provare la presa con un altro elettrodomestico.
	4. Il forno a microonde presenta un guasto	Contattare l'Assistenza clienti per discutere il problema e verificare se possa essere risolto. In caso contrario, e se il prodotto è tuttora in garanzia, restituire il forno a microonde al rivenditore per la sostituzione o il rimborso.
Se la potenza del forno a microonde non funziona	1. Lo sportello non è chiuso	Accertarsi che lo sportello sia ben chiuso. In caso contrario, il forno non si avvierà né funzionerà.
	2. Il selettore del timer non è stato impostato.	È necessario ruotare il selettore del tempo in senso orario per impostare il tempo e iniziare la cottura.
Il forno non scalda	Il magnetron non funziona	Il componente che produce le microonde si chiama magnetron; se gli alimenti non si riscaldano o sono tiepidi, è probabile che questo componente si sia guastato. Se il forno a microonde è tuttora in garanzia, contattare l'Assistenza clienti per ulteriori consigli o restituire il forno a microonde al rivenditore presso il quale è stato acquistato, per il rimborso o la sostituzione.

RISOLUZIONE DEI PROBLEMI

Problema	Possibile causa	Possibile soluzione
Scintille	1. Residui bruciati di alimenti	<p>Fuoriuscite e spruzzi possono bruciare e prendere fuoco; tutti gli alimenti all'interno del forno devono essere opportunamente coperti. Pulire tutte le fuoriuscite o gli spruzzi e tutte le aree del forno dopo ogni uso.</p> <p>Residui bruciati di alimenti nel forno a microonde, sulla e dietro la guida d'onda, possono far sì che il forno a microonde produca "scintille". Questo è dovuto al fatto che le microonde possono concentrarsi sui residui e generare scintille.</p> <p>Pulire il forno a microonde con cura dopo ogni uso, per garantire che non rimangano residui bruciati in nessuna parte del forno. Se il forno a microonde genera "scintille", rimuovere e smaltire la guida d'onda, <u>pulire</u> accuratamente il forno e contattare l'Assistenza clienti per una guida d'onda sostitutiva.</p> <p>La guida d'onda sostitutiva deve essere inserita e il forno a microonde dovrebbe funzionare normalmente. Tuttavia, se il forno genera nuovamente "scintille" al primo uso (dopo la sostituzione della guida d'onda e la pulizia del forno a microonde) contattare l'Assistenza clienti per ulteriori consigli.</p>
	2. Metallo o stagnola	<p>Non introdurre nel forno a microonde metallo o stagnola, a scampo del rischio di "scintille" in grado di danneggiare il forno.</p> <p>Gli unici accessori metallici utilizzabili nel forno a microonde sono quelli forniti dal produttore.</p>
	3. Accumulo di pressione negli alimenti	<p>Gli alimenti senza bucce porose (ad esempio, le patate) devono essere forati per consentire la fuoriuscita del vapore. L'accumulo di pressione può causare l'esplosione degli alimenti e creare un "pericolo di incendio".</p>
Punti caldi	Forno utilizzato a vuoto o senza umidità	<p>I forni a microonde non possono funzionare a vuoto; le microonde hanno bisogno di umidità per funzionare correttamente.</p> <p>Se il forno a microonde viene utilizzato a vuoto o per riscaldare vasellame (questo non è consentito), le microonde possono concentrarsi su un singolo punto all'interno del forno. Ciò può causare un punto caldo, che può deformare, distorcere o iniziare a fondere l'area interessata.</p> <p>Se il forno a microonde viene fatto funzionare a vuoto o usato per riscaldare oggetti estranei, la garanzia verrà annullata.</p>

RISOLUZIONE DEI PROBLEMI

Problema	Possibile causa	Possibile soluzione
Condensa o acqua in eccesso	1. Alimenti in fase di cottura	Per via delle proprietà innate della tecnologia a microonde, le molecole d'acqua presenti negli alimenti da cuocere vanno soggette a "rapidi movimenti", generando calore dall'interno degli alimenti stessi. Spesso, quando gli alimenti si riscaldano iniziano a rilasciare vapore. A seconda del tipo di alimenti (e del loro contenuto d'acqua), della durata del riscaldamento e quindi della quantità di vapore generato, è inevitabile che parte del vapore si condensi e produca gocce d'acqua all'interno del forno a microonde. Queste gocce sono normalmente presenti sulle pareti interne o più comunemente sul retro dello sportello di vetro. Se non vengono asportate, le gocce possono iniziare a formare piccole "pozze d'acqua".
	2. Aperture di raffreddamento coperte	Le aperture di raffreddamento consentono al calore e al vapore di fuoriuscire dal forno a microonde. Tali aperture non devono essere coperte in quanto può raccogliersi troppa acqua all'interno del forno, o il forno si surriscaldereà. È necessario attenersi alle istruzioni di installazione nel manuale d'uso, altrimenti la garanzia verrà annullata.
Danni/sfaldamento della vernice	Manutenzione	Se il forno a microonde è tuttora in garanzia, contattare l'Assistenza clienti per ulteriori consigli o restituire il forno a microonde al rivenditore presso il quale è stato acquistato, per il rimborso o la sostituzione.
La luce non funziona	La lampadina non funziona	A causa della struttura del forno a microonde e di determinati componenti "pericolosi" al suo interno, la lampadina può essere sostituita esclusivamente da un tecnico qualificato. Se il forno a microonde è tuttora in garanzia, contattare l'Assistenza clienti per ulteriori consigli o restituire il forno a microonde al rivenditore presso il quale è stato acquistato, per il rimborso o la sostituzione.
Surriscaldamento	Aperture di raffreddamento coperte	Le aperture di raffreddamento consentono al calore e al vapore di fuoriuscire dal forno a microonde. Tali aperture non devono essere coperte in quanto può raccogliersi troppa acqua all'interno del forno, o il forno si surriscaldereà. Le istruzioni di installazione nel manuale devono essere seguite, altrimenti la garanzia verrà annullata.

RISOLUZIONE DEI PROBLEMI

Problema	Possibile causa	Possibile soluzione
Lo sportello non si chiude/ si blocca	1. Piatto girevole di vetro posizionato in modo errato	Controllare che il piatto girevole di vetro sia posizionato correttamente sul supporto e non impedisca la chiusura dello sportello.
	2. I blocchi di sicurezza dello sportello si sono deformati	Se il forno a microonde è tuttora in garanzia, contattare l'Assistenza clienti per ulteriori consigli o restituire il forno a microonde al rivenditore presso il quale è stato acquistato, per il rimborso o la sostituzione.
Il piatto girevole non gira	1. Accoppiatore del piatto girevole non applicato o nastro non rimosso	Verificare che l'accoppiatore del piatto girevole sia applicato correttamente e che il nastro di trasporto sia stato rimosso.
	2. Anello del piatto girevole non applicato o applicato male	Controllare che l'accoppiamento sia posizionato sotto il piatto girevole e che sia posizionato correttamente.
	3. Piatto girevole di vetro posizionato in modo errato	Controllare che il piatto di vetro sia posizionato correttamente sul piatto girevole.
	4. Piatto girevole difettoso	Se il forno a microonde è tuttora in garanzia, contattare l'Assistenza clienti per ulteriori consigli o restituire il forno a microonde al rivenditore presso il quale è stato acquistato, per il rimborso o la sostituzione.
Eccessiva rumorosità	1. Piatto girevole di vetro posizionato in modo errato	Controllare che il piatto girevole di vetro sia posizionato correttamente sul supporto e non urti contro le pareti/lo sportello del forno a microonde durante il funzionamento.
	2. Piatti/stoviglie/vasellame troppo grandi per il forno	Controllare che i piatti/stoviglie/vasellame siano di misura adatta per il forno a microonde e non urtino contro le pareti/lo sportello durante il funzionamento.

GARANZIA E ASSISTENZA CLIENTI

Questo prodotto è garantito per **12 mesi** dalla data di acquisto originaria. In caso di difetti dovuti a materiali o lavorazione, il prodotto guasto deve essere restituito al punto vendita originario.

Il rimborso o la sostituzione avverrà a discrezione del rivenditore.

Si applicano le seguenti condizioni:

- Il prodotto deve essere restituito al rivenditore unitamente alla prova d'acquisto originale.
- Il prodotto deve essere installato e utilizzato conformemente alle istruzioni contenute in questo manuale d'uso e alle eventuali altre istruzioni d'uso fornite.
- Il prodotto è esclusivamente per uso domestico e per il suo impiego previsto.
- Questa garanzia non copre usura, danni, uso improprio o componenti consumabili.

Ciò non influisce sui diritti del consumatore ai sensi di legge.

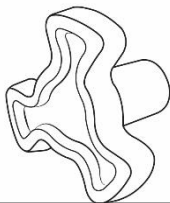
Assistenza clienti e componenti di ricambio:

Regione	Recapiti	Sito internet
Regno Unito e Irlanda del Nord	0345 209 7461	mda.russellhobbs.com
Irlanda	1 800 938982	ie.mda.russellhobbs.com
Resto d'Europa	europe@productcaregroup.com	de.mda.russellhobbs.com fr.mda.russellhobbs.com es.mda.russellhobbs.com it.mda.russellhobbs.com nl.mda.russellhobbs.com

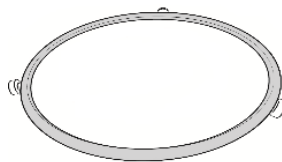
COMPONENTI DI RICAMBIO

Per verificare la disponibilità dei componenti di ricambio seguenti è sufficiente contattare la nostra Assistenza clienti al numero europa@productcaregroup.com.

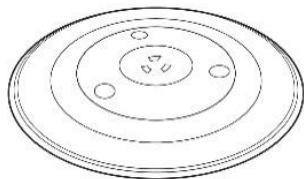
**Accoppiatore del
piatto girevole**



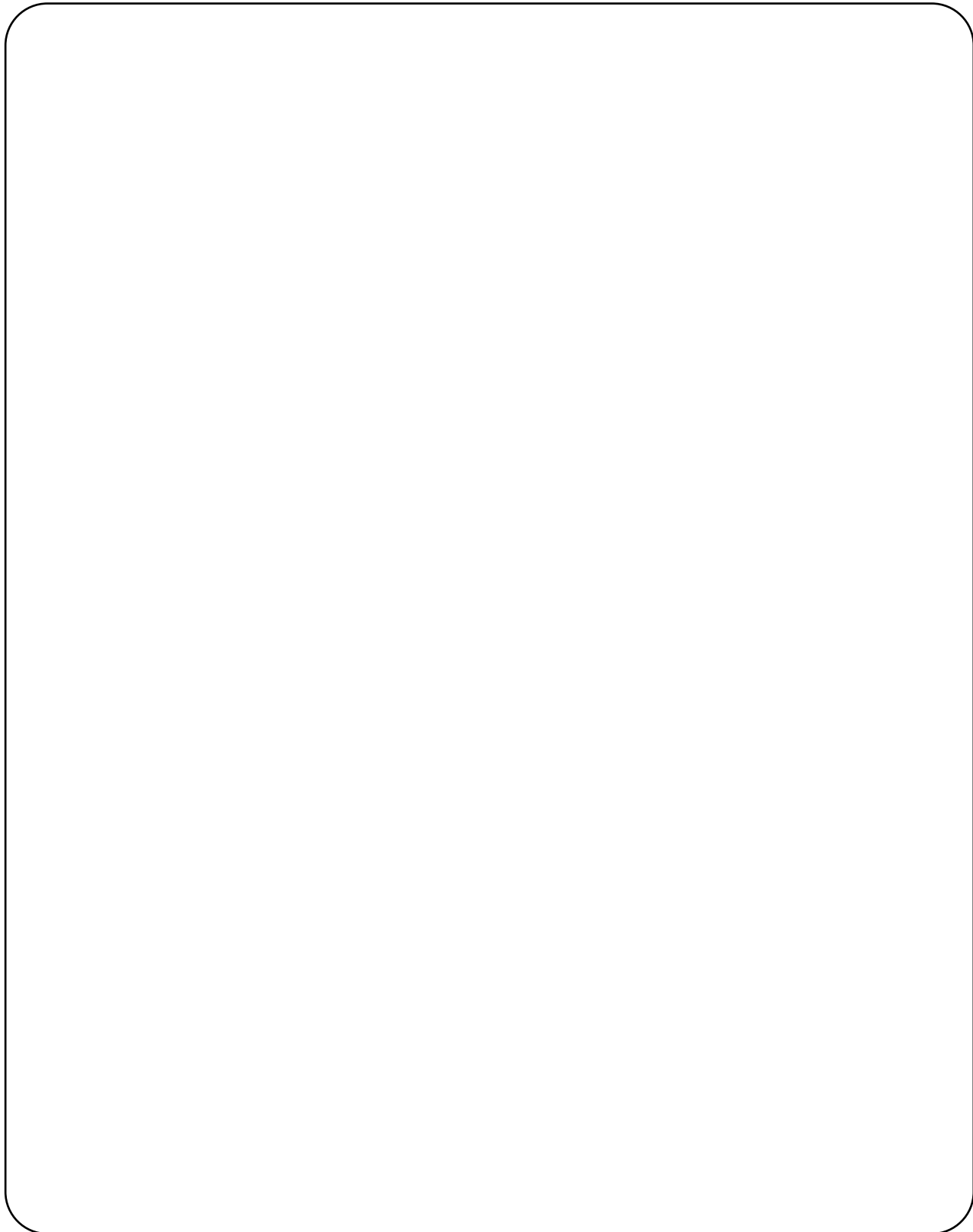
**Anello del piatto
girevole**



**Piatto girevole
di vetro**



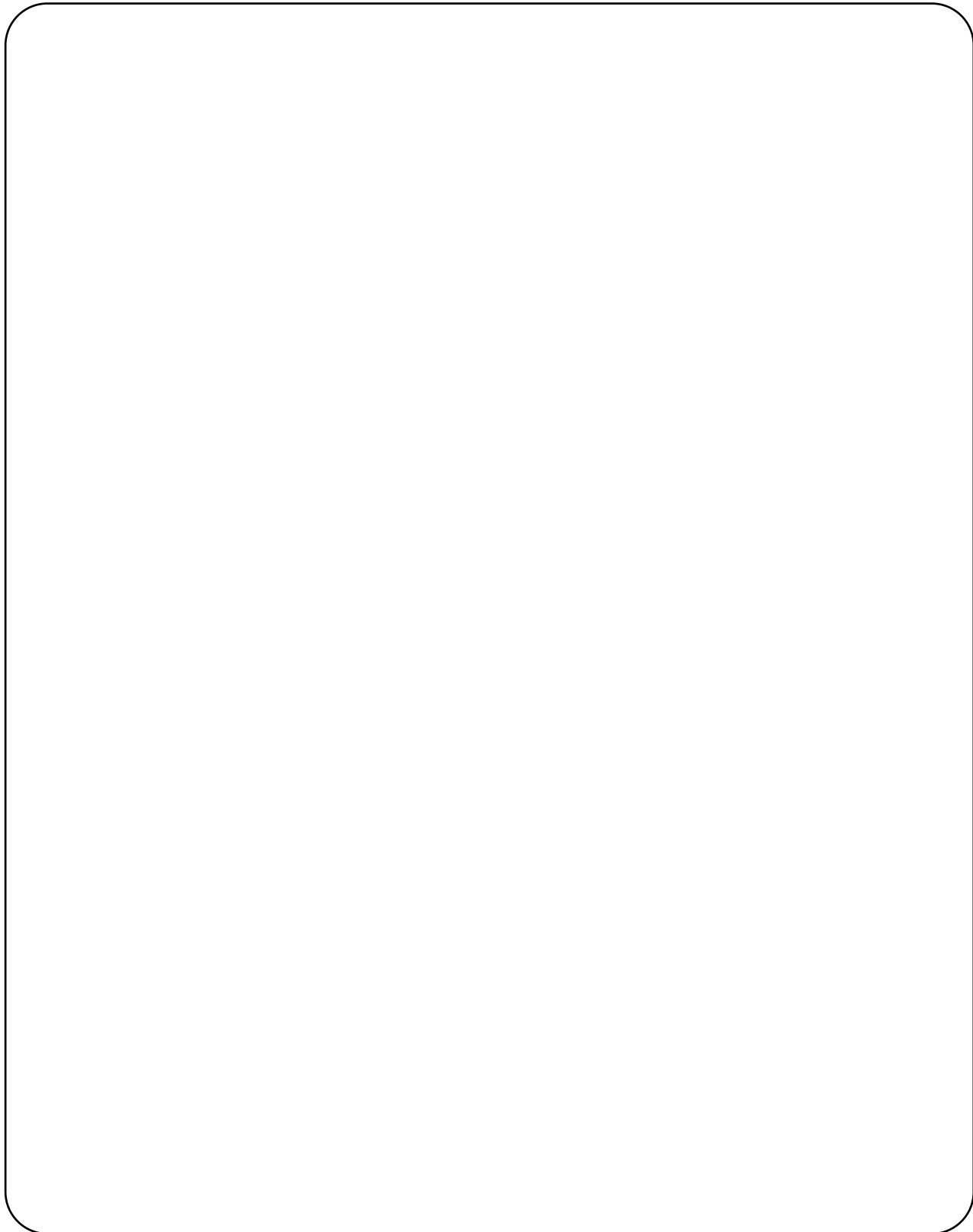
NOTE



NOTE

A large, empty rectangular box with rounded corners, intended for taking notes.

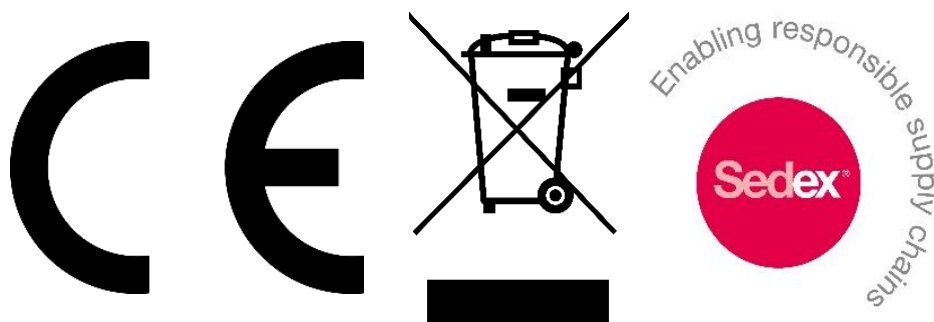
NOTE





Russell Hobbs

Prodotto da Product Care Trading Limited su licenza da Spectrum Brands (UK) Limited. Product Care Trading Ltd, Unit 1, Green Bank Business Park, Swan Lane, Hindley Green, Wigan, WN2 4AY, Regno Unito / Product Care (Ireland) Ltd, Unit 3D North Point House, North Point Business Park, New Mallow Road, Cork, T23 AT2P, Irlanda. Russell Hobbs è il marchio registrato di Spectrum Brands (UK) Ltd.



Questo simbolo è noto come “simbolo del cassonetto barrato”. Quando questo simbolo è presente su prodotti/batterie, significa che i prodotti/batterie non devono essere smaltiti con i normali rifiuti domestici. Eliminare prodotti elettrici/elettronici e batterie esclusivamente in sistemi di raccolta separati che provvedono alla bonifica e al riciclo dei materiali in essi contenuti. La collaborazione dell’utente è essenziale per garantire il successo di questi sistemi e per la tutela dell’ambiente. Per l’impianto di smaltimento più vicino visitare www.recycle-more.co.uk o chiedere dettagli al proprio rivenditore.

SEDEX – per relazionare le aziende con i loro fornitori in ambito globale promuovendo la condivisione dei dati etici e il perfezionamento negli standard per l’etica. Visitare www.sedex.org.uk per maggiori informazioni.

Ci riserviamo il diritto di modificare il manuale d’uso senza preavviso, in caso di eventuali cambiamenti apportati al design.