



ILLUSTRATED

QM461141 Worcester Toilet Roll Holder

CONFIGURATIONS

MATERIAL

Backplate - Zinc Die Cast

Wire - Stainless Steel

FINISH

High Polish Chrome Plated

WEIGHT

N/A

STANDARDS

Corrosion Resistance to BS EN ISO 27830

Service Condition 2

BS EN ISO 9227 Neutral salt spray (NSS) test
48

hours with minimum grade 9 when assessed
using ISO 10289

FREQUENTLY USED APPLICATIONS

Residential

Commercial

Hotels

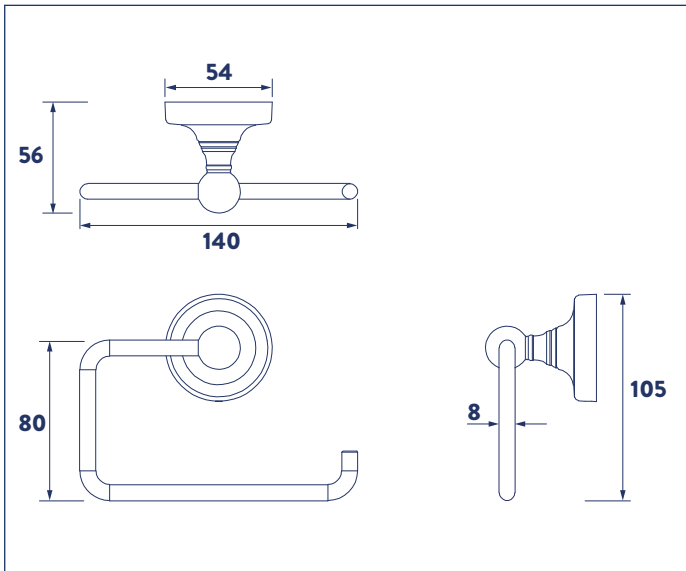
FEATURES

Unique wall plate mounting system

CARE AND MAINTENANCE

Clean surfaces with a damp cloth and wipe
dry using a soft cloth.

Do not use chemical or abrasive cleaners
as these may damage the surface of the
product.



GUARANTEE

Consumer Statutory Rights Apply

Tel: +44 (0) 1264 365881
Fax: +44 (0) 1264 356437
Email: info@croydex.co.uk
Web: www.croydex.com

Printed material, designs and packaging are
protected by copyright and design right.

Date Created:15/04/2021 | REV 001