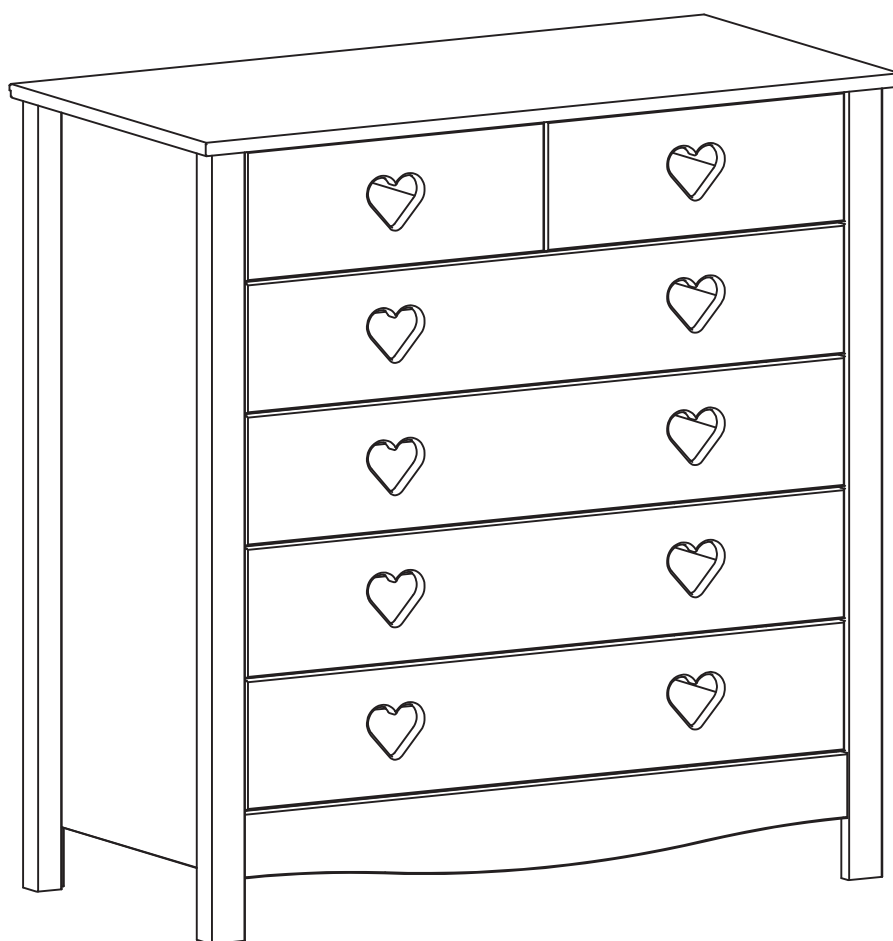


Mia 4+2 Drawer Chest

Assembly Instructions - Please keep for future reference

White 2595386



Dimensions

Width : 88.5 cm

Depth : 43.3 cm

Height: 90.0 cm

Assembly Instructions - Please keep for future reference

If you need help or have damaged or missing parts, call the **Argos Customer Helpline: 0845 640 30 30**



Safety and Care Advice

Important - Please read these instructions fully before starting assembly

- Check you have all the components and tools listed on pages 2 and 3.
- Remove all fittings from the plastic bags and separate them into their groups.
- Keep children and animals away from the work area, small parts could choke if swallowed.
- Make sure you have enough space to layout the parts before starting.

- Do not stand or put weight on the product, this could cause damage.
- Assemble the item as close to its final position (in the same room) as possible.
- Assemble on a soft level surface to avoid damaging the unit or your floor.
- Parts of the assembly will be easier with 2 people.



- We do not recommend the use of power drill/drivers **for inserting screws**, as this could damage the unit. Only use hand screwdrivers.
- Dispose of all packaging carefully and responsibly.

Care and maintenance

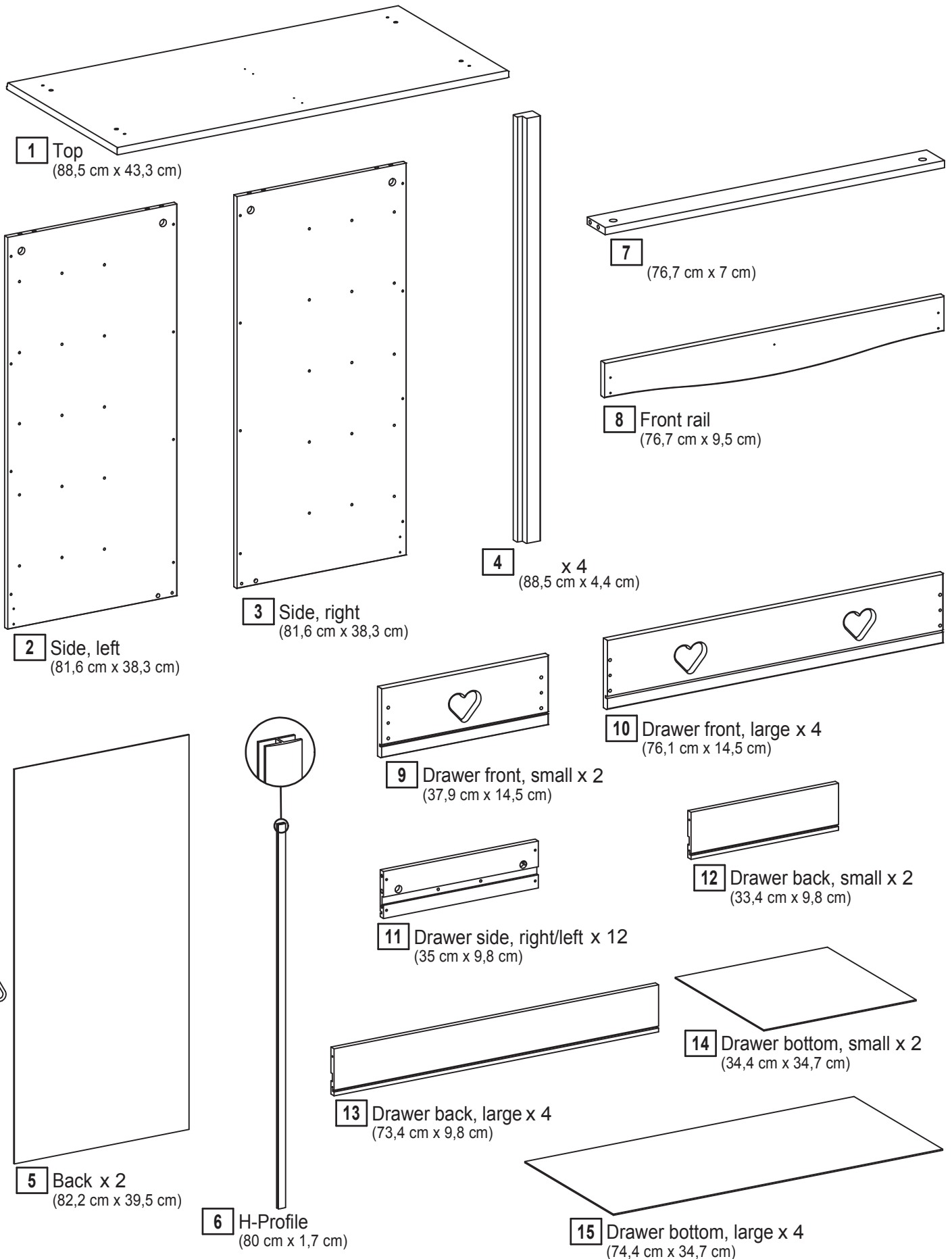
- Only clean using a damp cloth and mild detergent, do not use bleach or abrasive cleaners.
- From time to time check that there are no loose screws on this unit.
- This product should not be discarded with household waste. Take to your local authority waste disposal centre.

Note: if required the next page can be cut out and used as reference throughout the assembly. Keep this page with these instructions for future reference.

Components - Panels

If you have damaged or missing components, call the Argos Customer Helpline: 0845 640 30 30





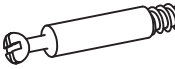










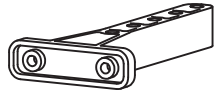
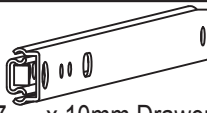
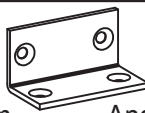
Please check you have all the panels listed below



Components - Fittings

Please check you have all the panels listed below

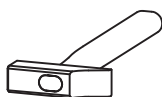
Note: The quantities below are the correct amount to complete the assembly. In some cases more fittings may be supplied than are required.

Aa  ø7.8 x 40mm Wooden dowel x 6	Ab  ø6 x 30mm Wooden dowel x 24	Bp  ø3 x 35mm Screw x 24
Ca  ø15 x 10.5mm Cam x 18	Cb  ø5 x 8, cc34mm Bolt x 18	Di  1.2 x 15mm Nail x 25
Fh  Wall strap and instruction x 1	Fi  Back fitting w. ø3.5 x 15mm Screw x 12	Hk  M4 x 9mm Screw x 12
Kb  ø5.8 x 8mm Screw x 28	Jb  ø4 x 25mm Screw x 16	Je  ø3.5 x 14mm Screw x 4
Nu  ø10 x 9mm Spacer x 6	Kf  ø5.8 x 19mm Screw x 6	Ko  ø4,2 x 9,5mm Screw x 8
Wb  Support for drawer runner x 2	Sk  245 x 17 x 10mm Drawer runner x 12	VI  44 x 23 x 23mm Angle x 2

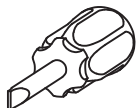
Tools required



Phillips screwdriver
(Medium & large)



Hammer



Flatblade screwdriver
(Medium)

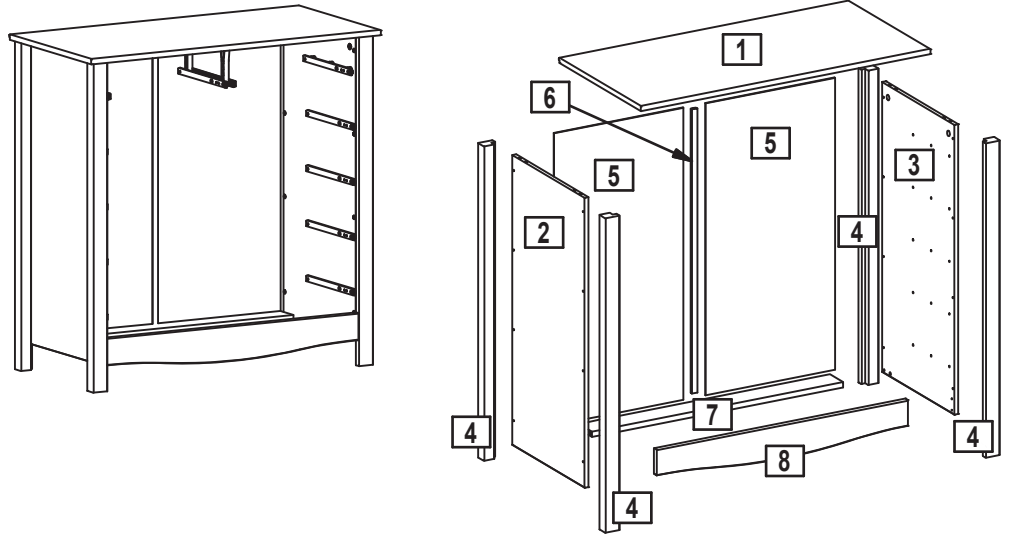
Ruler - Use this ruler to help correctly identify the screws



Assembly Instructions

Step 1

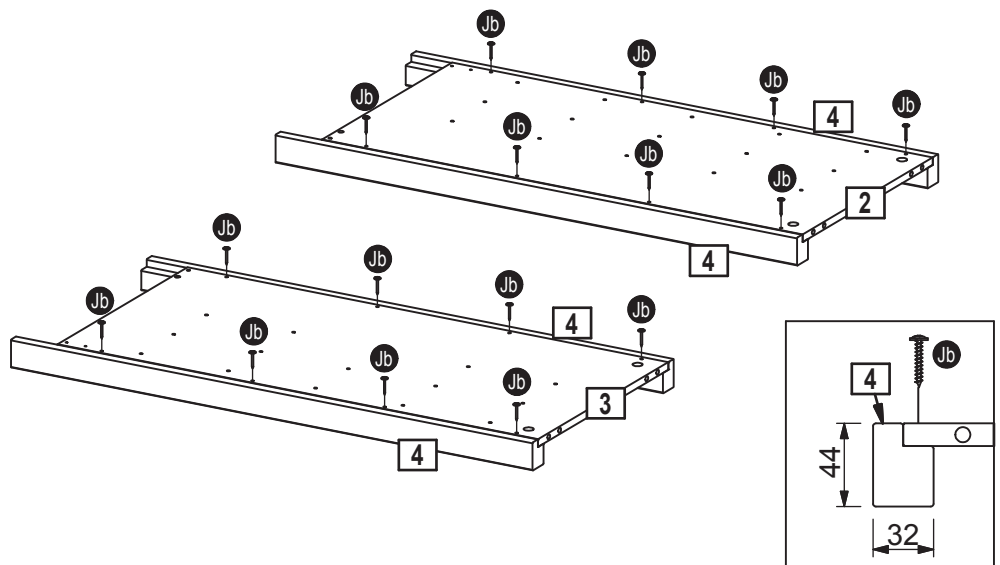
Assembly of the chest.



Step 1.1

Fix the posts **4** onto the sides **2** and **3** using screws **Jb** into the holes indicated.

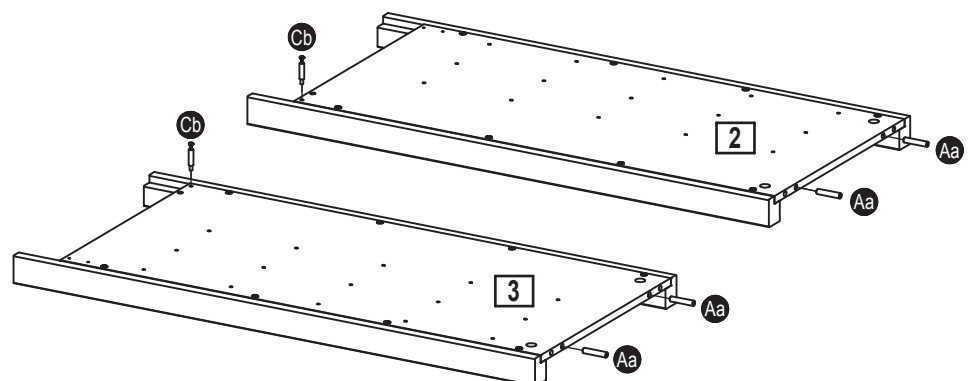
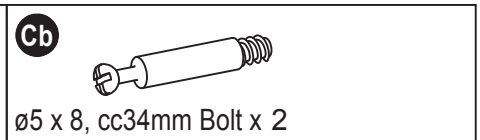
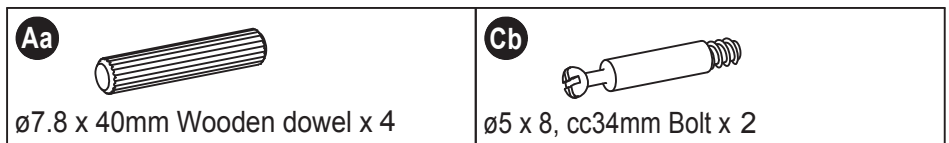
The top of the posts **4** and the sides **2** and **3** must be flush.



Step 1.2

Knock the dowels **Aa** into the holes indicated on the sides **2** and **3** using a small hammer.

Screw the bolts **Cb** into the holes indicated on the sides **2** and **3**.



Assembly Instructions





Step 1.3

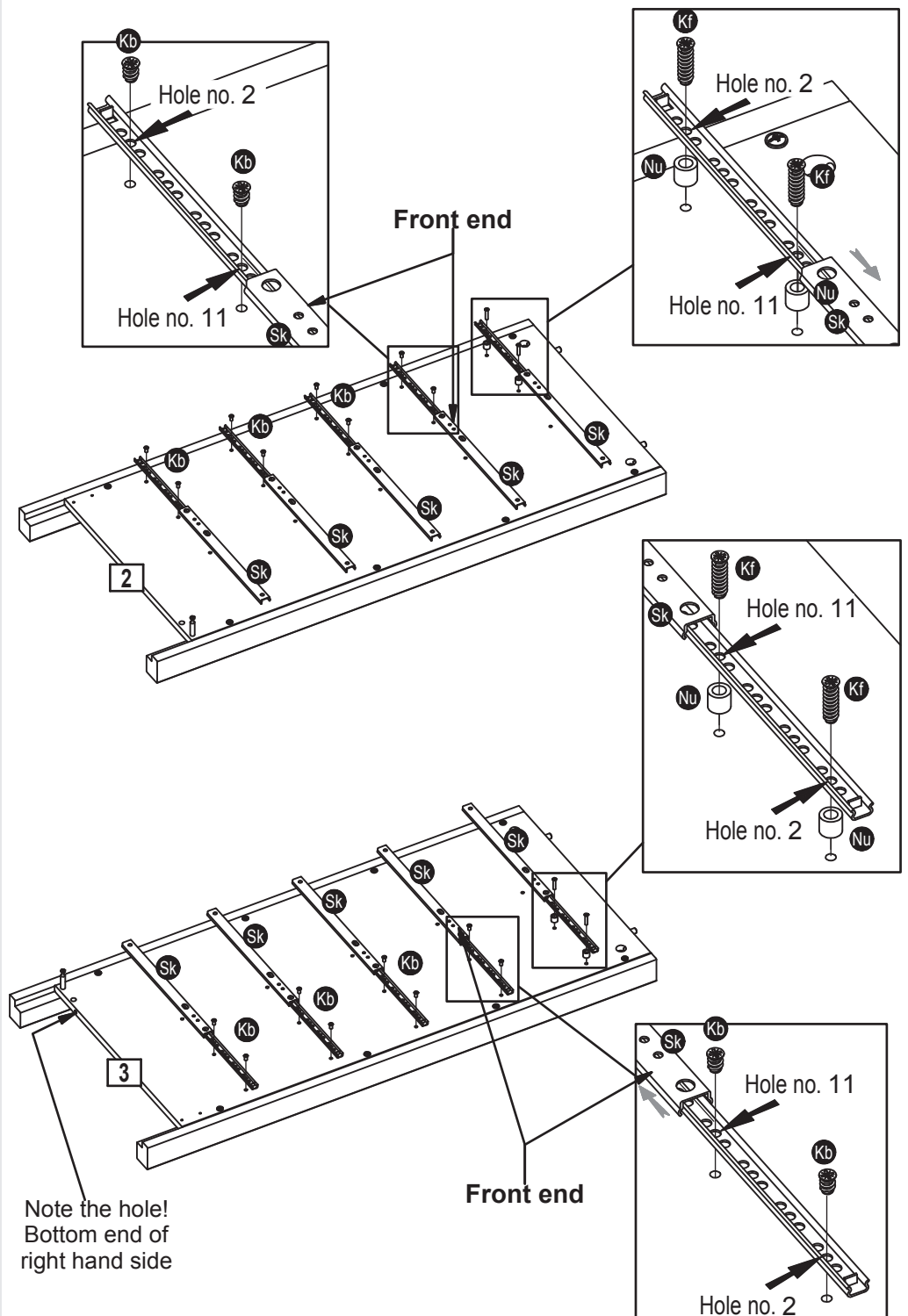
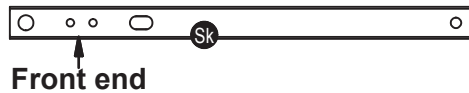
Slide the top of the drawer runners **Sk** backwards. You can identify the front end of the drawer runner **Sk** by the two M4 holes. See details.

Place the Spacers **Nu** as shown, and fix the front end of the upper drawer runners **Sk** to the sides **2** and **3** using screws **Kf** through the holes number 2 and 11 as indicated.

Fix the front end of the rest of the drawer runners **Sk** to the sides **2** and **3** using screws **Kb** through the holes number 2 and 11 as indicated.

See details.

<p>Kb</p>  <p>ø5.8 x 8mm Screw x 16</p>	<p>Kf</p>  <p>ø5.8 x 19mm Screw x 4</p>
<p>Nu</p>  <p>ø10 x 9mm Spacer x 4</p>	<p>Sk</p>  <p>245 x 17 x 10mm Drawer runner x 10</p>



Assembly Instructions

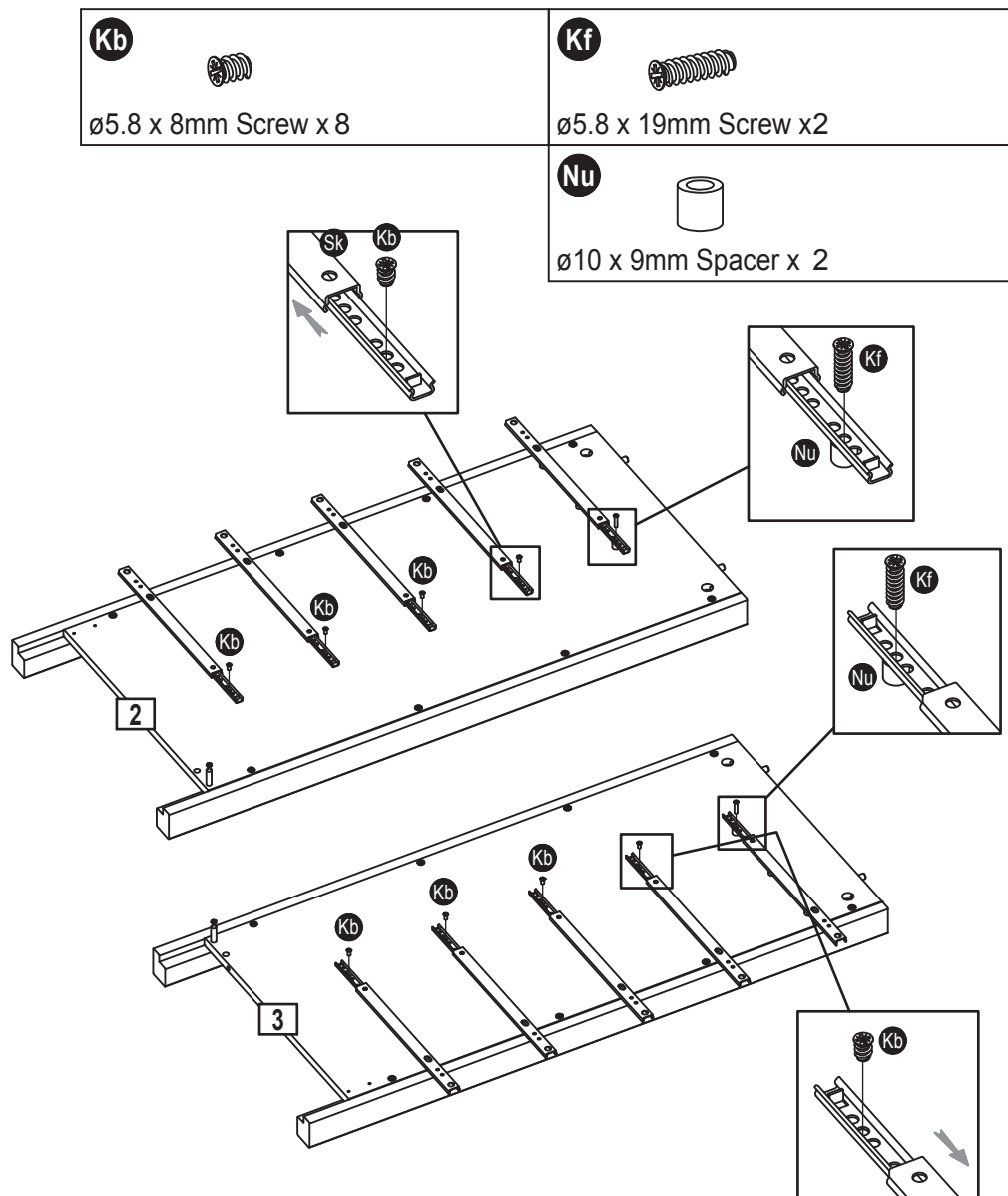
Step 1.4

Slide the top of the drawer runners **Sk** forwards.

Place the Spacers **Nu** as shown, and fix the back end of the upper drawer runners **Sk** to the sides **2** and **3** using screws **Kf** through the holes indicated.

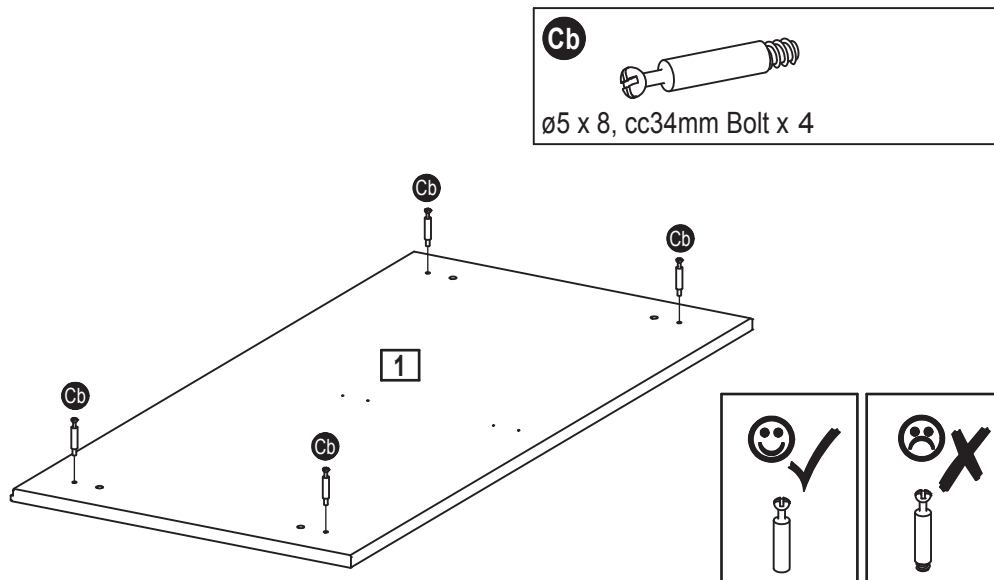
Fix the back end of the rest of the drawer runners **Sk** to the sides **2** and **3** using screws **Kb** through the holes indicated.

See details.



Step 1.5

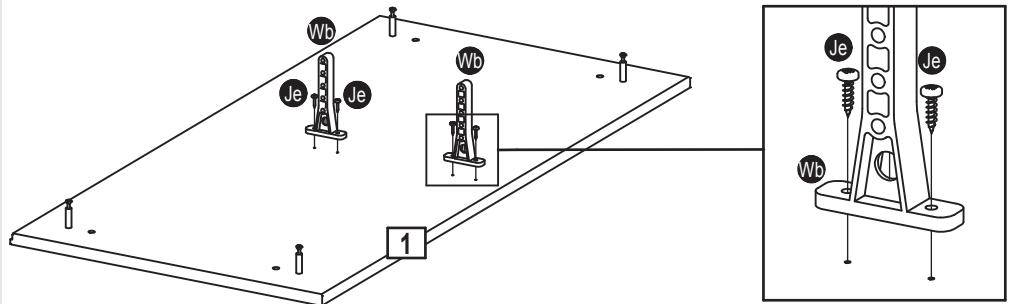
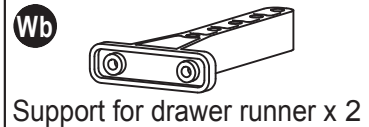
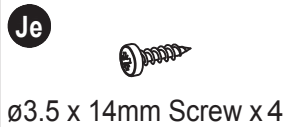
Screw the bolts **Cb** into the holes indicated on the top **1**.



Assembly Instructions

Step 1.6

Fix the drawer runner supports **Wb** to the top **1** using screws **Je** into the holes indicated.

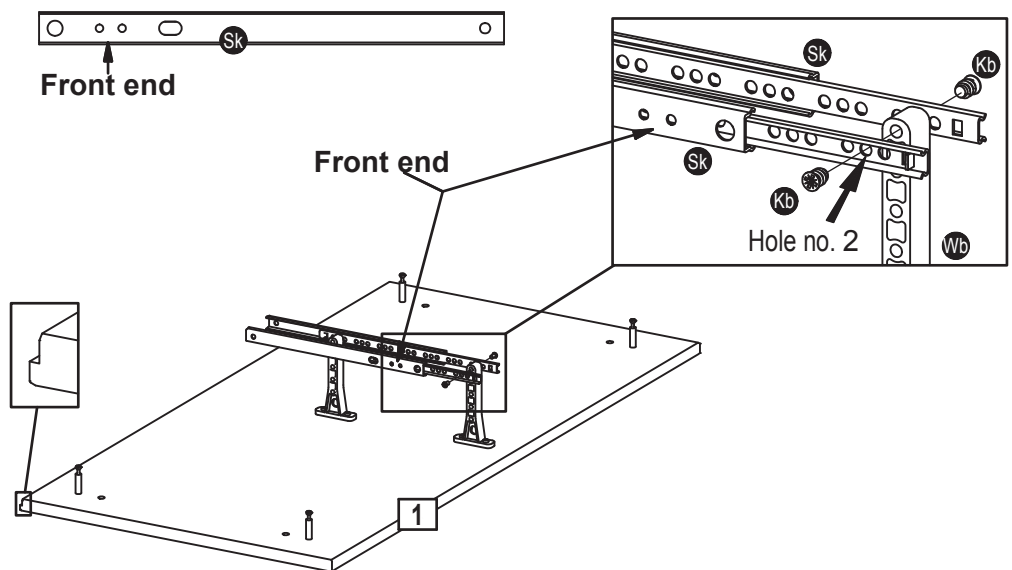
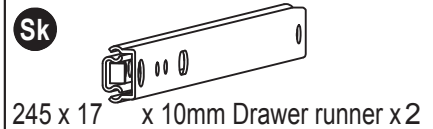


Step 1.7

Slide the top of the drawer runners **Sk** backwards. You can identify the front end of the drawer runner **Sk** by the two M4 holes.

Fix the front end of the drawer runners **Sk** to the drawer runner support **Wb** using screws **Kb** through the holes number 2 as indicated.

See details.

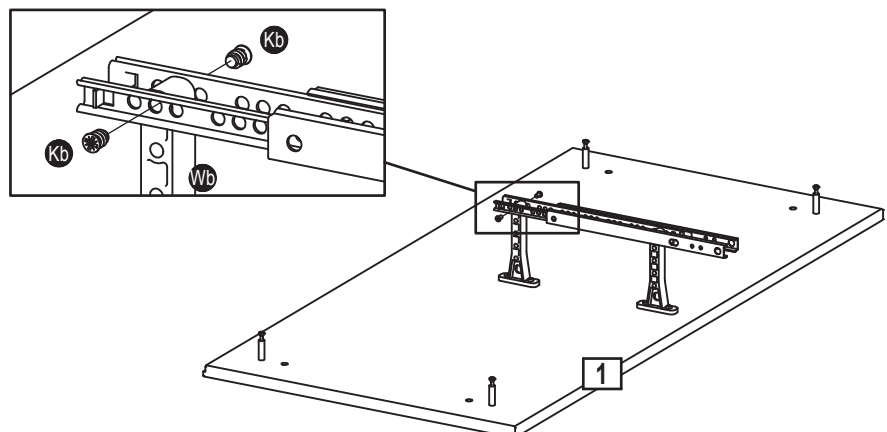


Step 1.8

Slide the top of the drawer runners **Sk** forwards.

Fix the drawer runners **Sk** to the drawer runner support **Wb** using screws **Kb** through the holes indicated.

See details.



Assembly Instructions

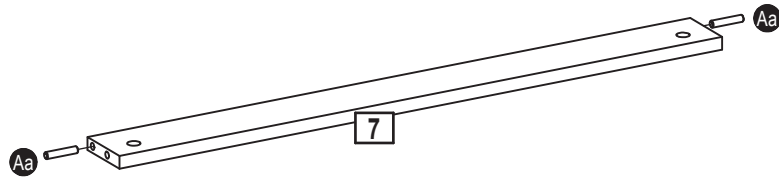
Step 1.9

Knock the dowels **Aa** into the holes indicated on the back rail **7** using a small hammer.

Aa



ø7.8 x 40mm Wooden dowel x 2



Step 1.10

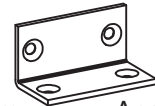
Fix the angles **VI** using screws **Ko** into the holes indicated on the front rail **8**.

Ko



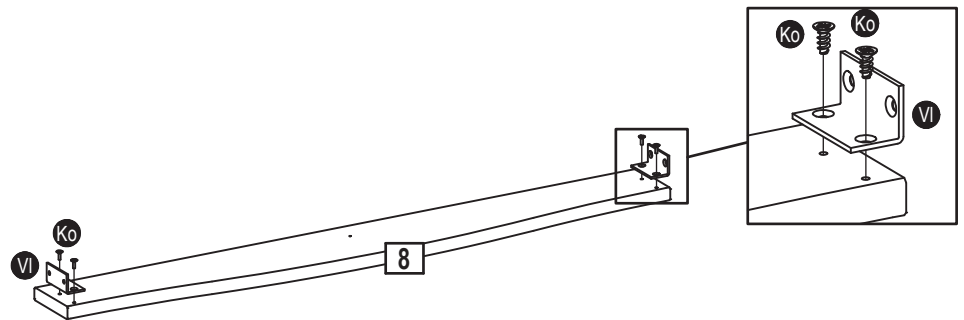
ø4,2 x 9,5mm Screw x 4

VI



44 x 23 x 23mm

Angle x 2



Step 1.11

Place the sides **2** and **3** onto the back rail **7**.

Push cams **Ca** into the holes indicated on the back rail **7**.

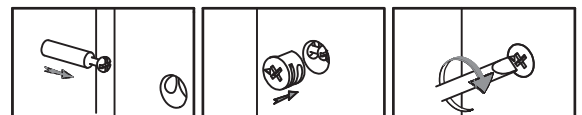
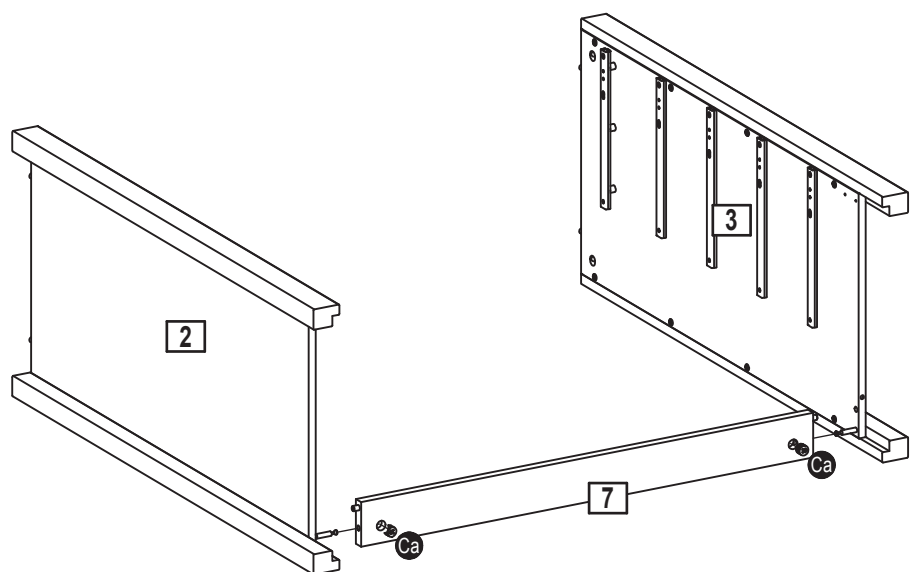
Arrows pointing towards the sides **2**/**3**.

Turn the cams **Ca** to the right to fix the sides **2** and **3**.

Ca



ø15 x 10.5mm Cam x 2



Assembly Instructions

Step 1.12

Place the top **1** onto the sides **2** and **3**.

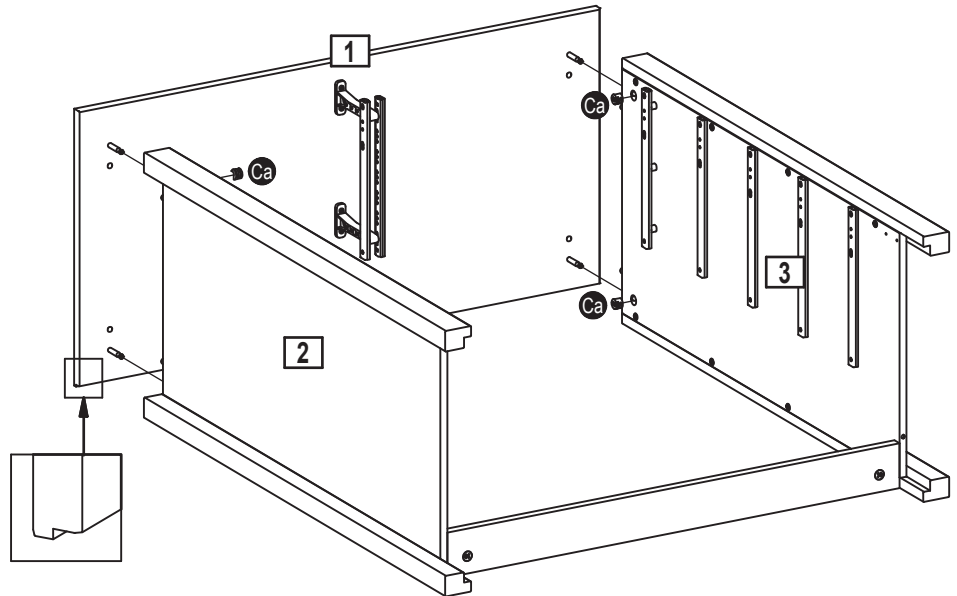
Push cams **Ca** into the holes indicated on the sides **2** and **3**.
Arrows pointing towards the top **1**.

Turn the cams **Ca** to the right to fix the top **1**.

Ca



ø15 x 10.5mm Cam x 4



Step 1.13

Place the front rail **8** as shown.

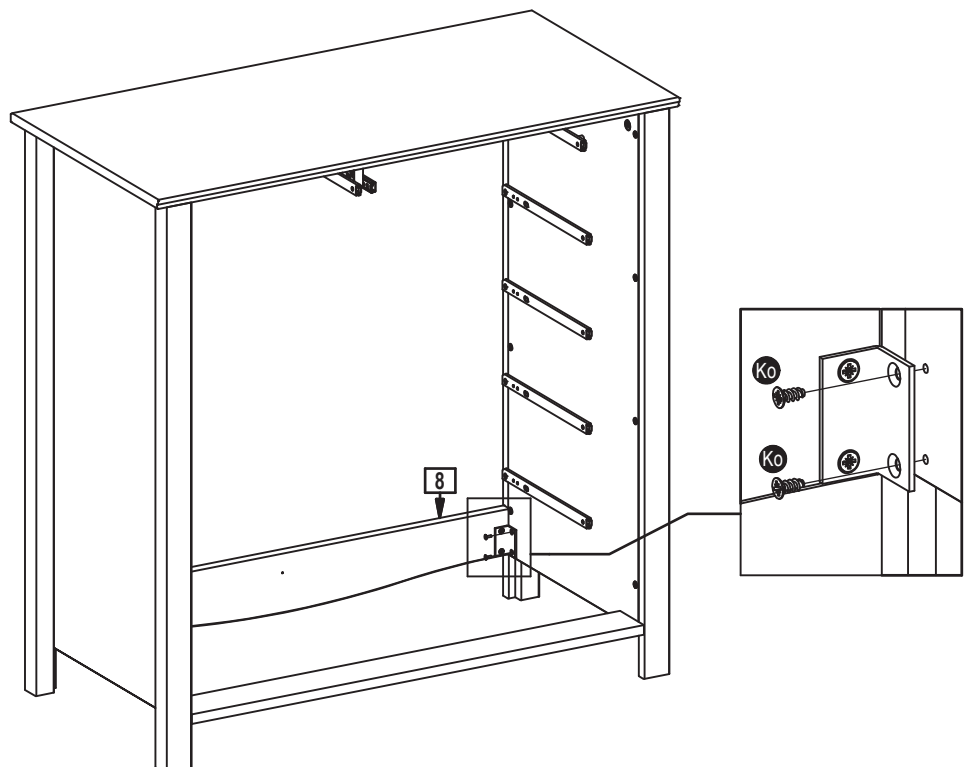
Fix the angles **VI** to the sides using screws **Ko**.

See detail.

Ko



ø4,2 x 9,5mm Screw x 4



Assembly Instructions

Step 1.14

Place the backs **5** into the rabbet on the top **1** into the H-profile **6** and onto the posts **4**.

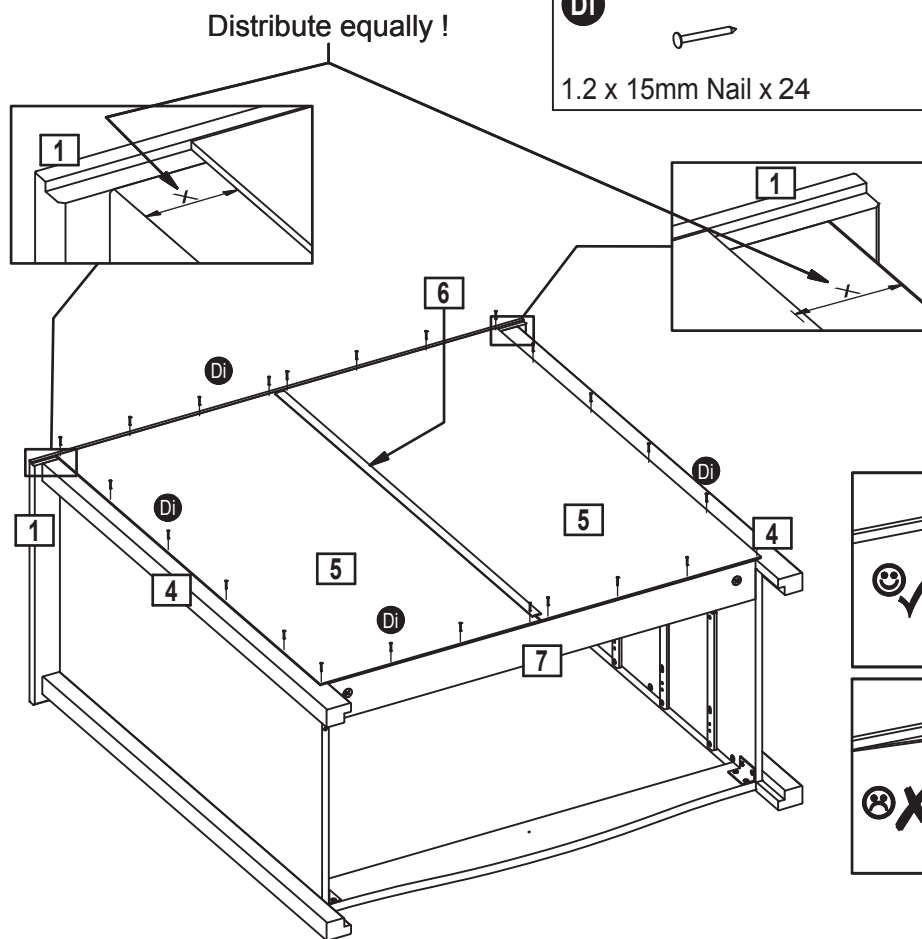


Important!

Make sure the angle between the top **1** and the posts **4** is 90° when the backs **5** is attached.

Fix the backs **5** to the top **1**, the posts **4** and the back rail **7** using nails **Di**.

Use a small hammer.



Step 1.15

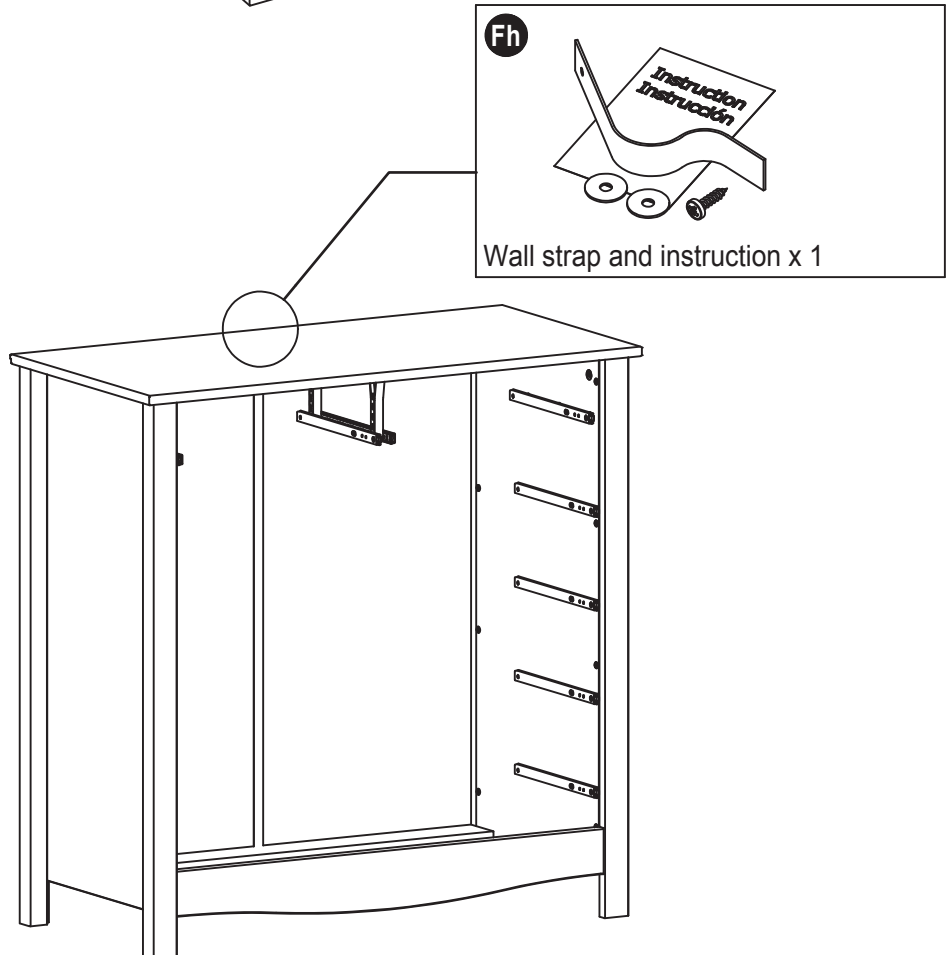


Important!

The chest of drawers is heavy. Lift with care.

Its recommended that the chest is fixed to the wall.

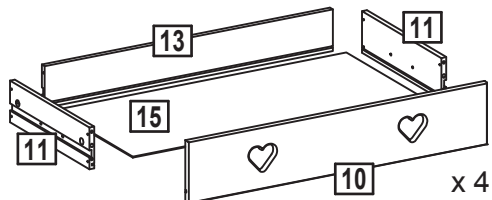
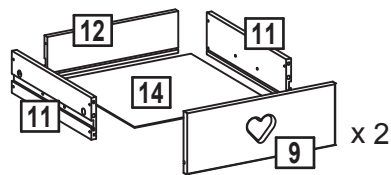
Use the fittings **Fh**. Follow the instructions included with the fittings.



Assembly Instructions

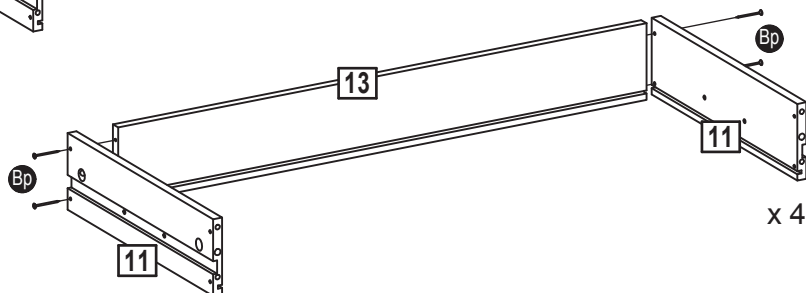
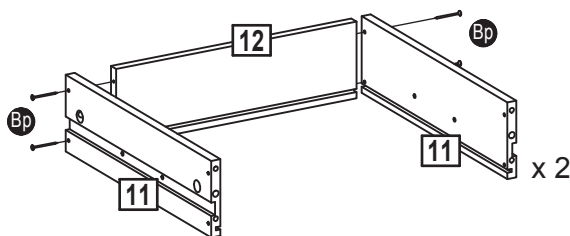
Step 2

Assembly of the drawers.



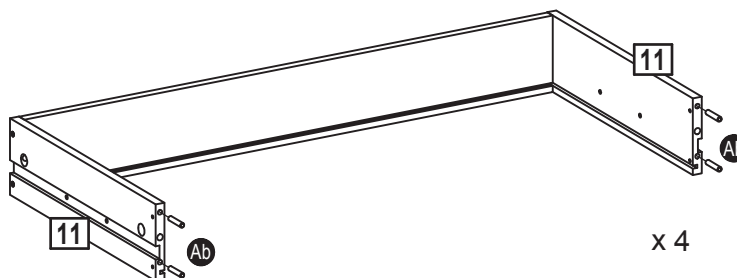
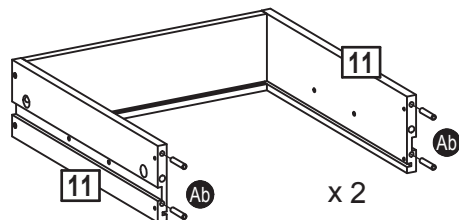
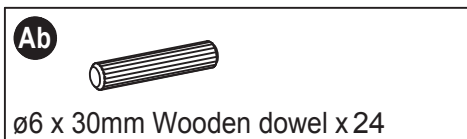
Step 2.1

Fix the drawer sides **11** to the drawer backs **12** and **13** as shown, using screws **Bp**.



Step 2.2

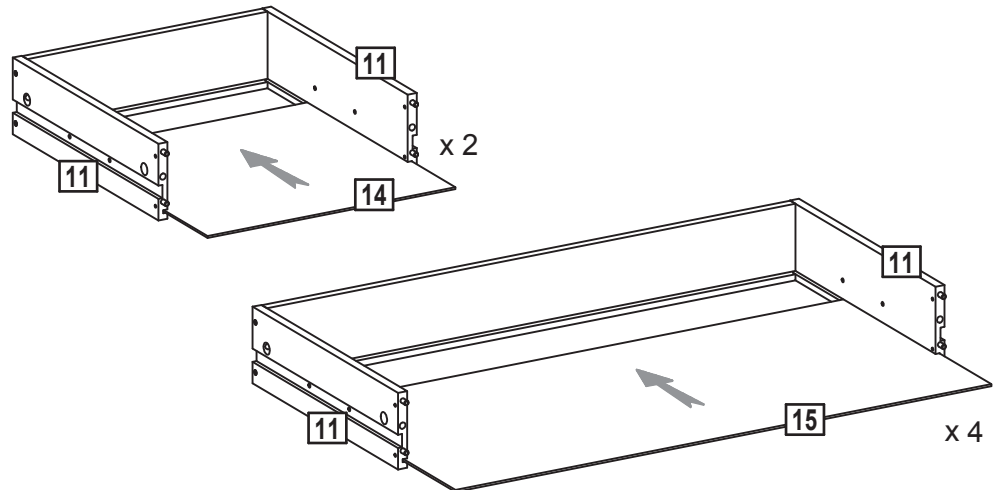
Knock the dowels **Ab** into the holes indicated on the drawer sides **11** using a small hammer.



Assembly Instructions

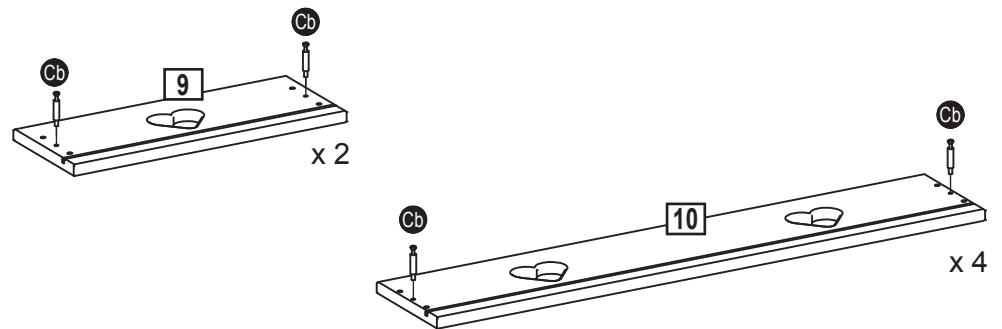
Step 2.3

Slide the drawer bottoms **14** and **15** into the drawer sides **11**.



Step 2.4

Screw the bolts **Cb** into the holes indicated on the drawer fronts **9** and **10**.

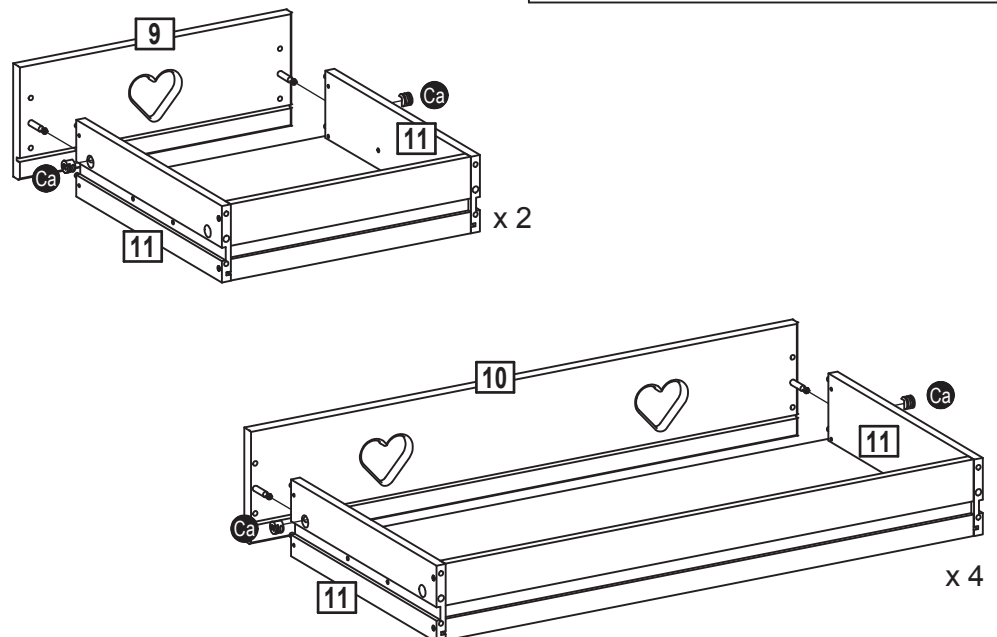


Cb
ø5 x 8, cc34mm Bolt x 12

Step 2.5

Push the drawer fronts **9** and **10** onto the drawer sides **11**.

Place cams **Ca** into the holes indicated. Arrow pointing towards the front. Turn the cams **Ca** to the right to fix the front.



Ca
ø15 x 10.5mm Cam x 12

Assembly Instructions

Step 2.6



Important!

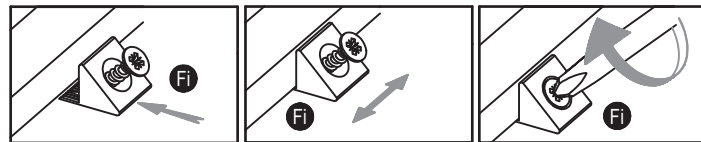
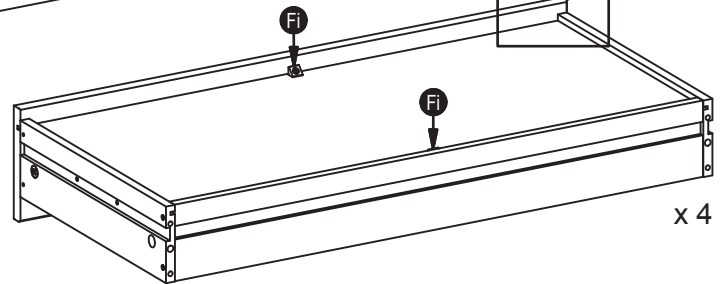
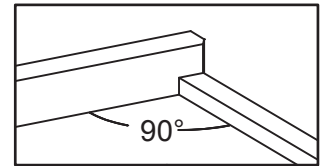
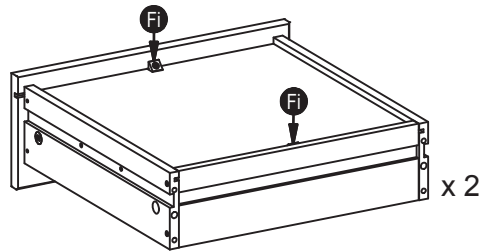
Make sure the angle between the drawer fronts **9** / **10** and the drawer sides **11** is 90° before the drawer bottoms **14** and **15** is fixed using **Fi** as shown.

To adjust the angle between the drawer sides and the fronts push the fitting **Fi** sideways. See details.

Fi



Back fitting w. $\varnothing 3.5 \times 15\text{mm}$ Screw x 12



Hk



M4 x 9mm Screw x 12

Step 2.7

Pull out the drawer runners. Slide the drawers onto the runners.

Fit and fix the lower drawer first and work your way up.

Fix drawers to the drawer runners using screws **Hk**.

