

Banbury Dining Chair

Assembly Instructions - Please keep for future reference

632/3846

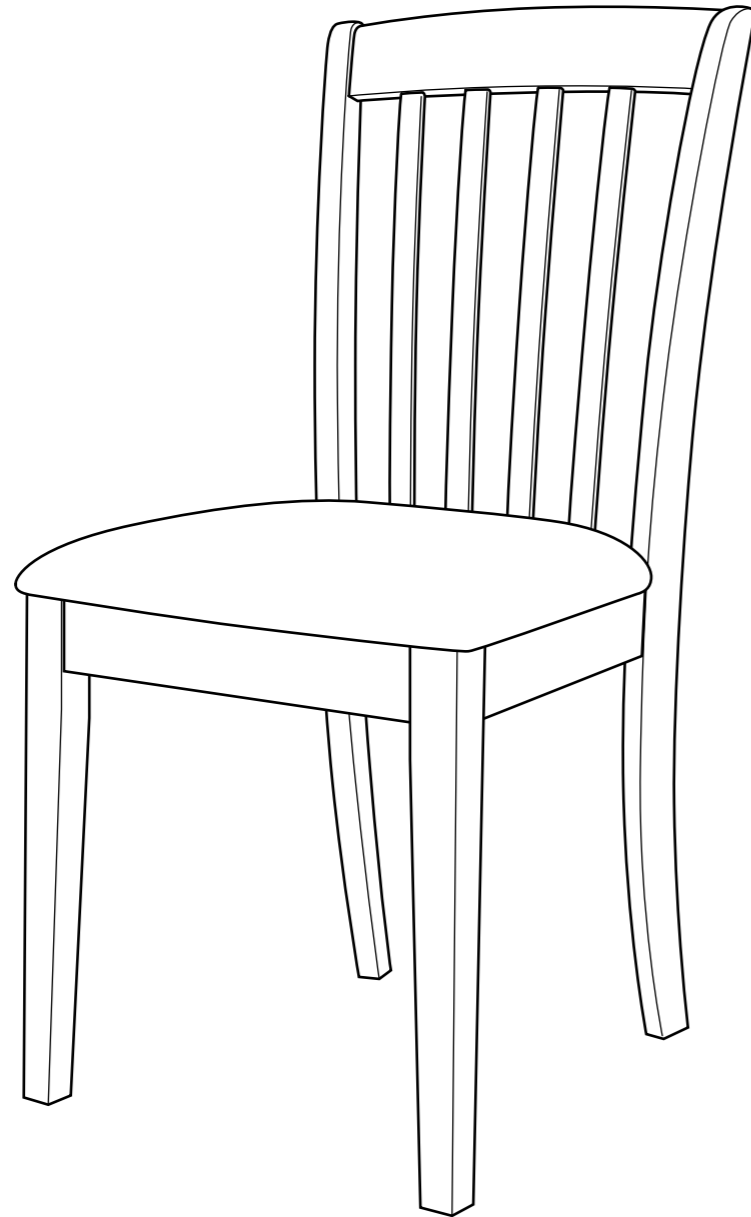
603/3514

603/3521

633/2260

268/7517

576688



Dimensions

Width - 45 cm

Depth - 45.8 cm

Height - 90.5 cm

Important - Please read these instructions fully before starting assembly

If you need help or have damaged or missing parts, call the **Customer Helpline: 0345 640 0800**



Safety and Care Advice

Important - Please read these instructions fully before starting assembly

- At least 2 people are required to assemble this product.
- Do not discard any of the packaging until you have checked that you have all the parts and the pack of fittings.
- Assemble this product on a flat protected surface.
- Assemble all parts loosely before tightening any bolts.

- Discard all extra fittings and keep fittings out of reach of children.
- Please note wood is a natural material, some slightly colour and grain variation and natural marks will be present.
- Maximum safe weight of user: 110kgs.
- Unit weight: 4.8kgs.



- We do not recommend the use of power drill/drivers **for inserting screws**, as this could damage the unit. Only use hand screwdrivers.
- Dispose of all packaging carefully and responsibly.
- Retain assembly instruction for future reference.

Warnings

- Do not stand on the chair.
- Do not use the chair as a step ladder.
- Do not sit with sharp objects in back pockets as this may damage the seat surface.
- Do not knock the surface of the seat against sharp solid surfaces.

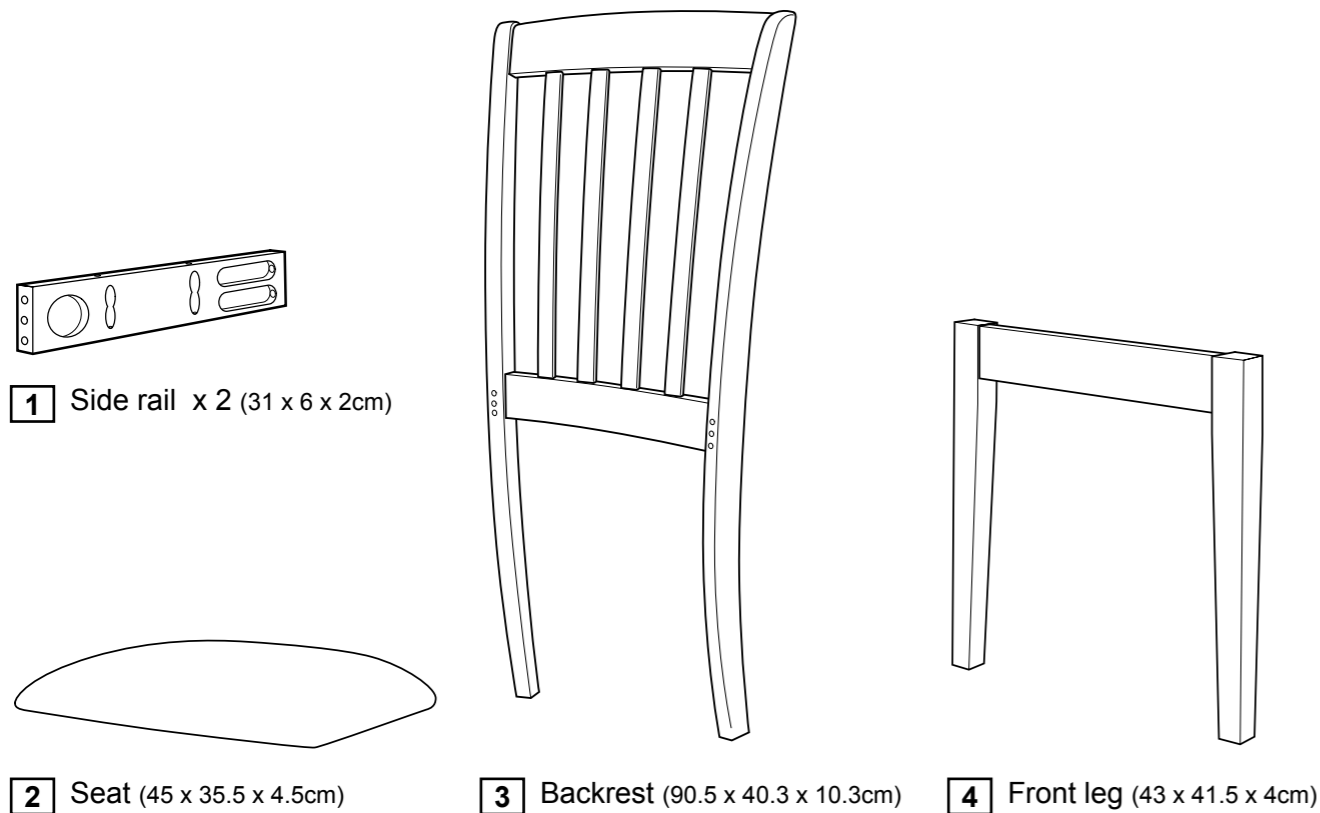
Care and maintenance

- Please clean the seat surface using either damp (not wet) cloth and a mild domestic soap solution or by using an appropriate polish.
- Do not use any abrasive materials when cleaning.
- From time to time check that there are no loose bolts on this unit.

Components - Parts

If you have damaged or missing components, call the Customer Helpline: 0345 640 0800

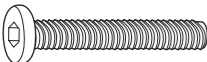
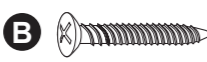


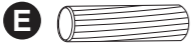

Please check you have all the parts listed below



Components - Fittings

Please check you have all the fittings listed below

Note: The quantities below are the correct amount to complete the assembly. In some cases more fittings may be supplied than are required.

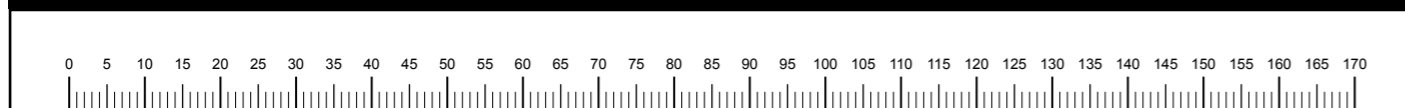
A 	B 	C 
Bolt x 6	Screw x 6	Spring washer x 6
D 	E 	F 
Curved washer x 6	Wood dowel x 6	Allen key x 1

Tools required



Crosshead Screwdriver

Ruler - Use this ruler to help correctly identify the screws



Assembly Instructions

Step 1

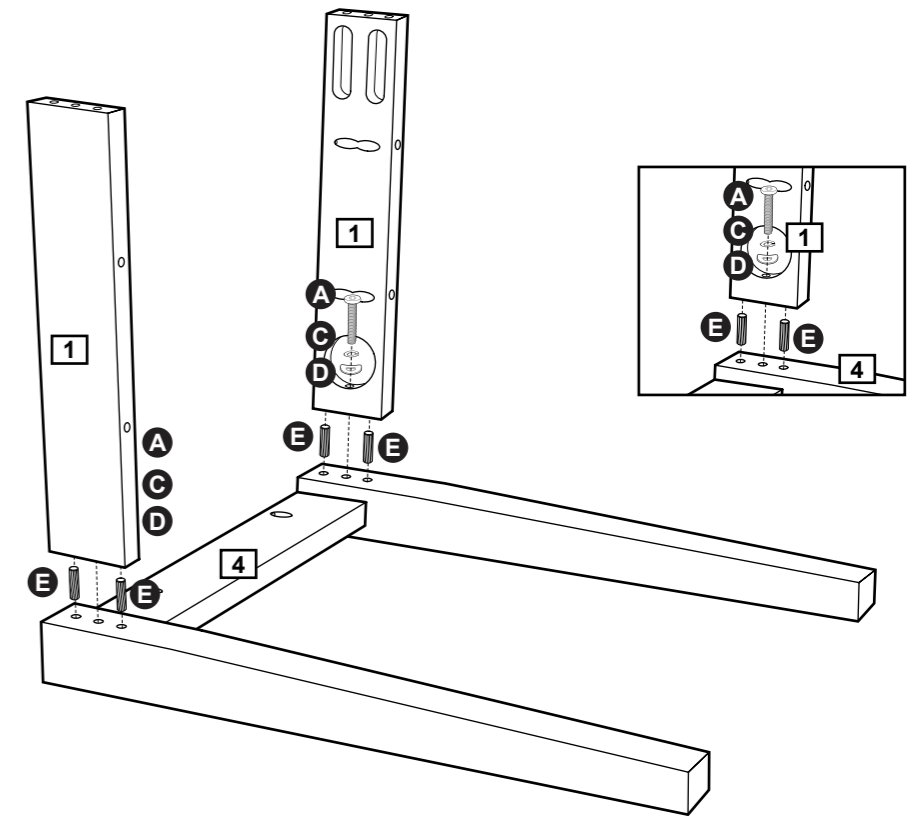
Attaching siderails

Place the front leg **4** on a flat protected surface.

Insert wood dowels **E** in the holes on the siderails **1**. Position the siderails as shown and insert the wood dowels **E** in the holes on the front leg **4**.

Then fix using bolts **A**, spring washers **C** and curved washers **D**.

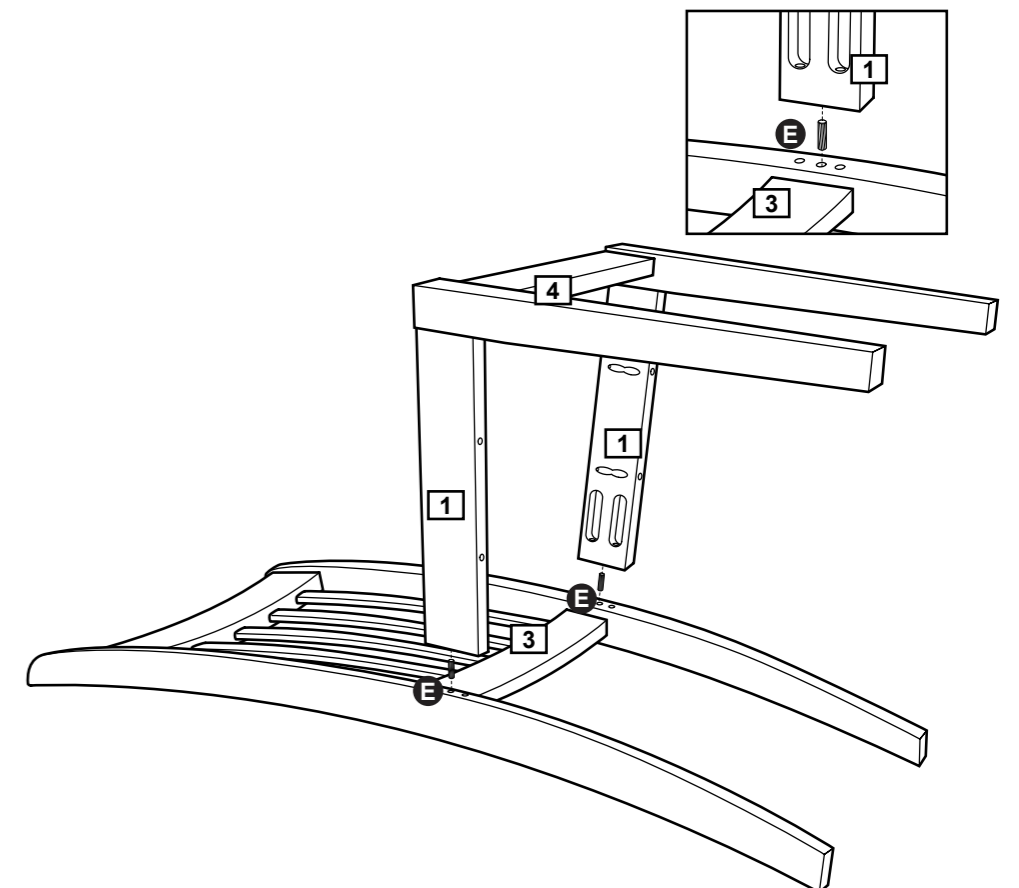
Tighten bolts using allen key **F**.



Step 2

Attaching backrest

Insert wood dowels **E** in the centre holes of the siderails **1** and attach it to the backrest **3**.



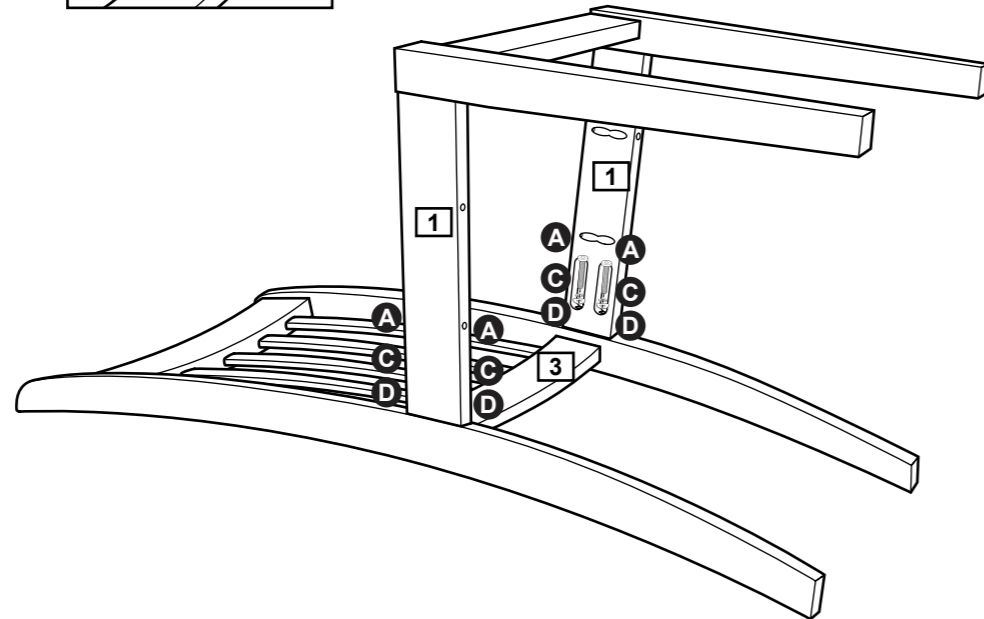
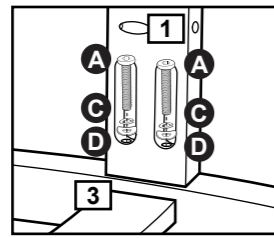
Assembly Instructions

Step 3

Fixing backrest

Fix the siderails **1** to the backrest **3** with bolts **A**, spring washers **C** and curved washers **D** as shown.

Tighten bolts using allen key **F**.



Step 4

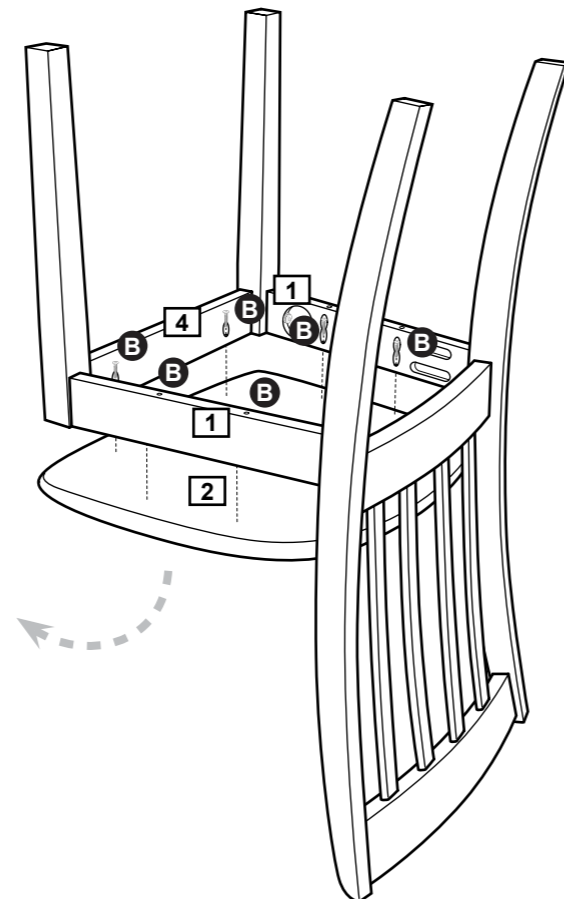
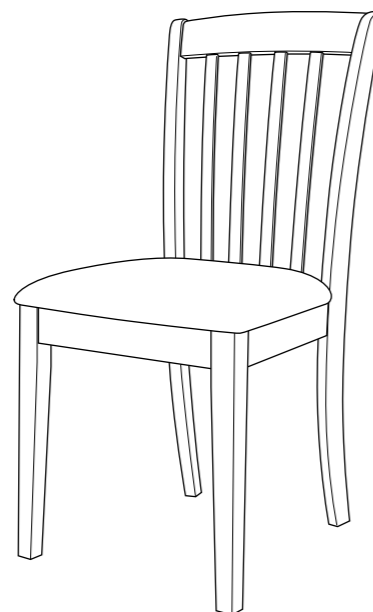
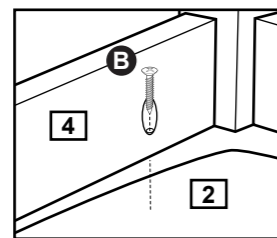
Attaching the seat

Place the seat **2** face down on a raised protected surface.

Position the chair on center of the seat **2** and fix using screws **B**.

Tighten screws using a crosshead screwdriver.

Carefully turn over the chair.



Assembly is complete.

If you need help or have damaged or missing parts, call the **Customer Helpline: 0345 640 0800**