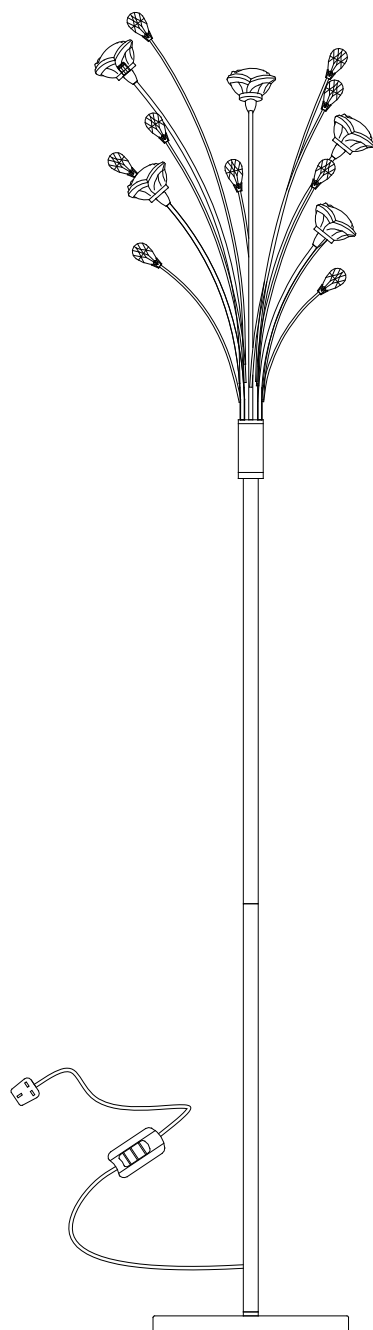


Rosa 5 Light Flower Floor Lamp

Assembly Instruction - Please keep for future reference

257/3432



Important - Please read these instructions fully before starting assembly

If you need help or have damaged or missing parts, call the **Customer Helpline: 0345 640 0800**

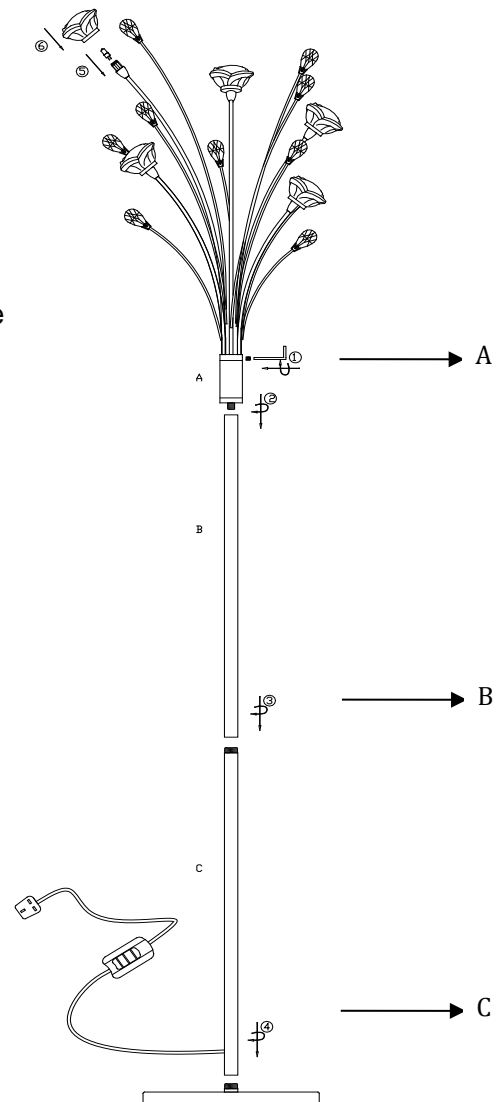


Important

- Read these instructions carefully and familiarize yourself with the procedure before assembling the unit.
- Take all the components and fittings out of the plastic bag and separate them into their groups.
- Ensure you have enough space to lay out all the parts before assembly.
- Always be sure to use the correct type and wattage of bulbs as indicated on the fitting. Never exceed the wattage stated.
- To avoid scratching it is recommended that you assemble the unit on a soft level surface.
- When changing the bulb, always switch off at the mains and allow the old bulb to cool down before handling. Dispose of used bulbs carefully.
- This luminaire is Class II insulated. If the external flexible cable or cord of this luminaire is damaged, it must only be replaced by a qualified electrician to avoid any electrical hazards.
- The luminaire is designed for indoor use only.

Instruction to use

1. Screw tube A, tube B and tube C together.
2. Pull the external flexible cable through the bottom tube. Take care the excess cable does not become trapped or twisted when fixing tubes together. And then screw tube C onto the base (see diagram).
3. Loosen the screws on the tube using the Allen key provided but do not remove completely. Arrange the arms so they are spaced equally and tighten the screws.
4. Insert the bulbs into the lamp holder. Type and wattage as indicated on the fitting. The wattage indicated must not be exceeded.
5. Place glass shades over the light bulbs and push it onto the lamp holders.
6. Plug the floor lamp into a suitable mains socket.



Maintenance

This fitting is designed for indoor use only and must be fitted to a DRY SURFACE as any dampness in plaster or paint can damage the finish. **Do not use polish or abrasive cleaner - just a soft dry cloth.**

BULB REPLACEMENT

1. Switch off the mains power supply.
2. Before replacing the bulb, allow it to cool down for at least 10 minutes.
3. Never touch the bulb with your fingers directly, cover it with a cloth.
4. Loosen the bulb and remove it from the lamp.
5. Replace a new bulb with same voltage and wattage (**Max.20W G4 Bulb**).

Plug replacement

WARNING:

Never connect live or neutral wires to the earth terminal of the plug.
Only fit an approved 13 Amp BS1363/A plug and the correct rated fuse.
If in doubt, consult a qualified electrician.

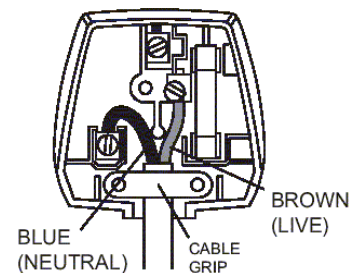
IMPORTANT:

This unit is a Class II appliance and no connection is to be made to the earth terminal of the plug.
The wires inside the plug are coloured as follows:

Blue - Neutral
Brown – Live

As the colours of the wires in the mains lead of this apparatus may not correspond with the coloured markings identifying the terminals in your plug, proceed as follows:

- The wire which is coloured blue must be connected to the terminal which is marked with N or coloured blue.
- The wire which is coloured brown must be connected to the terminal which is marked L or coloured brown. Always ensure that the plug cord grip is fastened correctly.
- No connection is to be made to the earth terminal of the plug.



If a 13A (BS1363) fused plug is used, it must be fitted with a 3A fuse conforming to BS1362 and be ASTA approved. Only replace the fuse with a same rated fuse. If in doubt, please contact a qualified electrician.