

CONSTANT

C

Instruction Manual - Please keep for future reference

Constant LED Alarm Clock



IMPORTANT SAFETY INSTRUCTIONS

Read all instructions before use and keep for future reference.



WARNING - To reduce the risk of fire or electric shock, do not expose this appliance to rain or moisture.



CAUTION - Use of controls or adjustments or performance of procedures other than those specified herein may result in a hazard.

PRECAUTIONS

To Maintain Optimum Performance

Do not use the unit in places which are extremely hot, cold, dusty or humid. Do not use or keep the unit in following places.

- In a high humidity area such as a bathroom or near a heater.
- In an area exposed to direct sunlight (where it can become extremely hot).
- Near sources of strong magnetism, such as televisions, speakers, or magnets.
- Where there is a lot of movement, vibration or an unstable shelf.

For safety

- Take care not to drop the unit or subject it to strong shocks.

Children

- Children do not understand the dangers associated with operating electrical appliances. Never allow children to use this appliance.

Mains Lead

- If this unit has a mains lead or is connected with a mains adaptor do not allow the lead to become strained or damaged as it creates a hazard.

Ventilation Warning

- Do not allow water or liquids to splash onto the main body as it contains live parts.
- Do not cover the body with a cloth and allow the unit to be well ventilated.

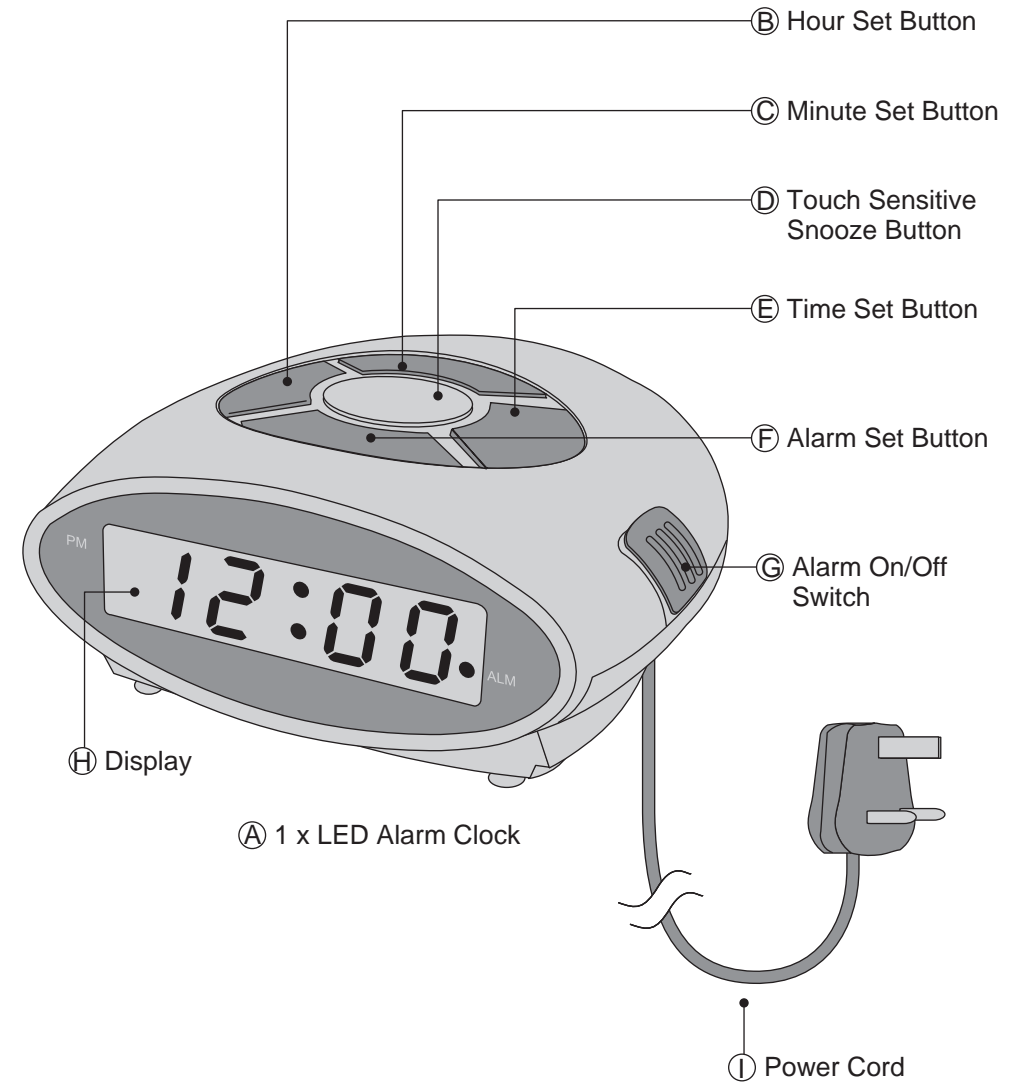


Electrical Requirements

Check that the voltage on the rating plate of your product corresponds with your house electricity supply which must be A.C. (Alternating Current).

If the socket outlets in your home are not suitable for the plug supplied with this product, check with a qualified electrician for replacement.

Know Your Machine	3
Using with Batteries.....	4
Using with AC Power.....	5
Operation Of Clock	6
Operation Of Alarm	7
Specifications	8



USING WITH BATTERIES



NOTES:

- Please read the important safety instructions before use.

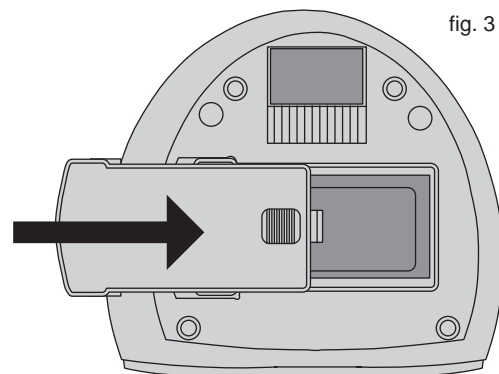
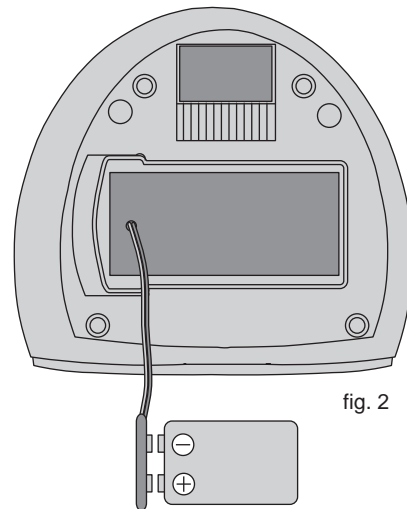
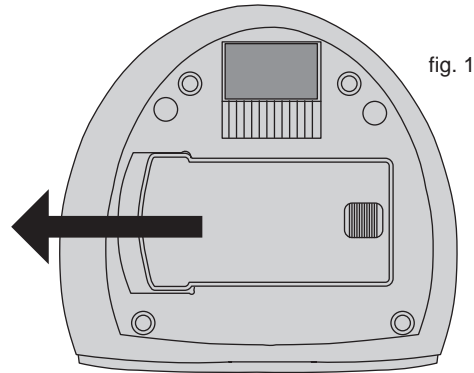
1. Open the battery compartment. See fig. 1
2. Insert one new 9V battery with the ⊕ and ⊖ marks correctly aligned. See fig. 2
3. Carefully slide the battery door closed. See fig. 3

Battery replacement

- When the battery voltage drops, there will be a reduction in performance which might include low sound, distortion, or failure of the digital display to light. If this happens, turn off the power, ensure the unit is unplugged from the mains and replace with a new battery.

Note on batteries:

- To prevent the risk of leakage or explosions, never recharge the batteries, apply heat or take them apart.
- When not using batteries, remove them to prevent battery drain.
- If liquid leaks from the batteries, throw them away. Thoroughly clean the battery compartment with a dry cloth.



USING WITH AC POWER

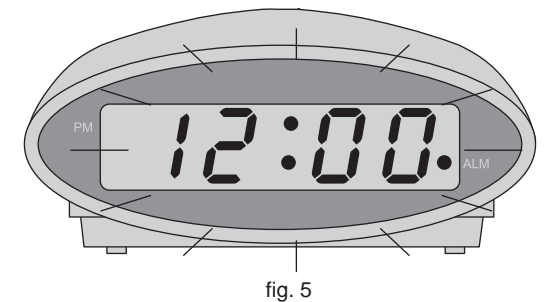
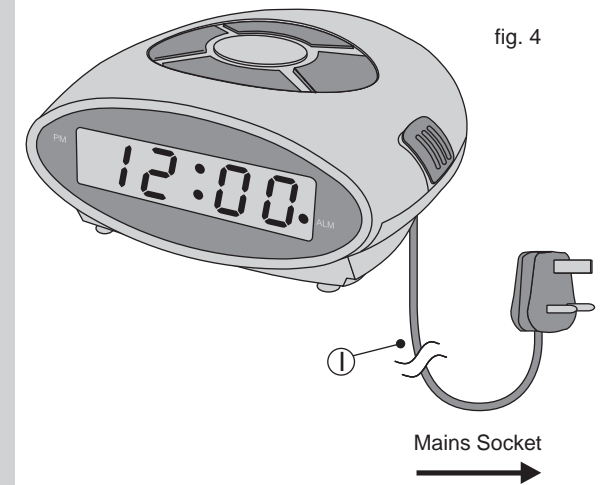
NOTE: Make sure your local voltage is 230V/240V~, 50Hz.

AC Power Cord Connection

1. Connect the AC Power Cord ① to the mains socket. See fig. 4.
2. A blinking signal will appear indicating the time. See fig. 5.

Power Failure

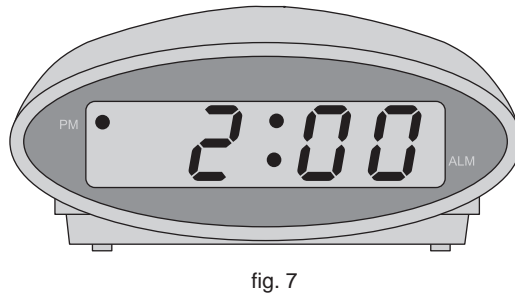
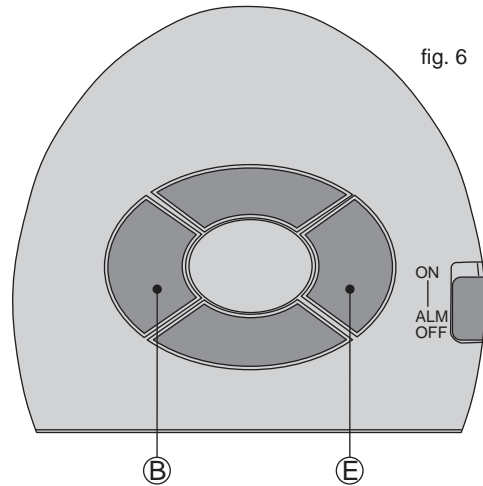
- You can insert a 9 volt battery in the unit. Should there be a power failure the clock will continue to function. You will not see this however because the battery does not illuminate the clock display. When the power is turned on again the display will indicate the correct time. Replace the battery once a year. "The supply cord cannot be replaced. If the cord is damaged the appliances should be scrapped."



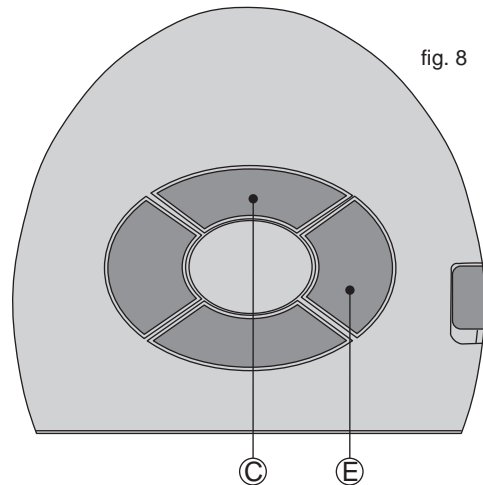
OPERATION OF CLOCK

Setting the time

1. Press and hold the Time Set Button (E) and press Hour Set Button (B) together to set or advance the hour. A dot will appear in the top left corner when the time is PM, and disappear when AM. See fig. 6 and 7.



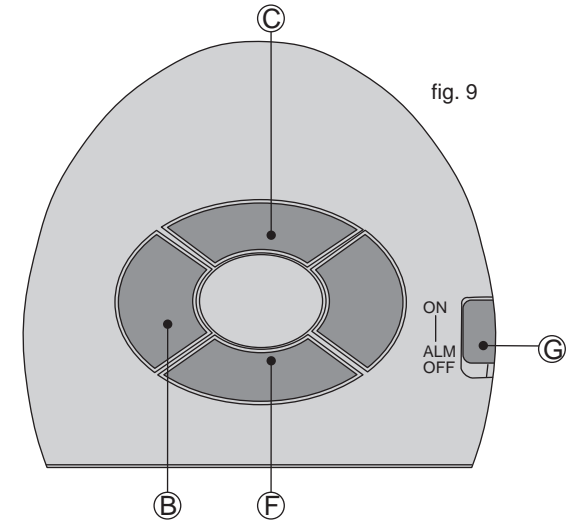
2. Press and hold the Time Set Button (E) and press Minute Button (C) together to set or advance the minutes. See fig. 8.



OPERATION OF ALARM

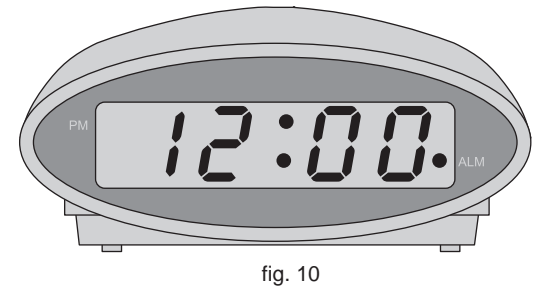
Setting the Alarm

1. Press and hold the Alarm Set Button (F) and Hour Set Button (B) or Minute Set Button (C) together to set or advance the alarm time. Then slide the Alarm On/Off Switch (G) to "ON" (the alarm indicator dot will appear at the bottom of right corner of the LED Display). See fig. 9 and 10.



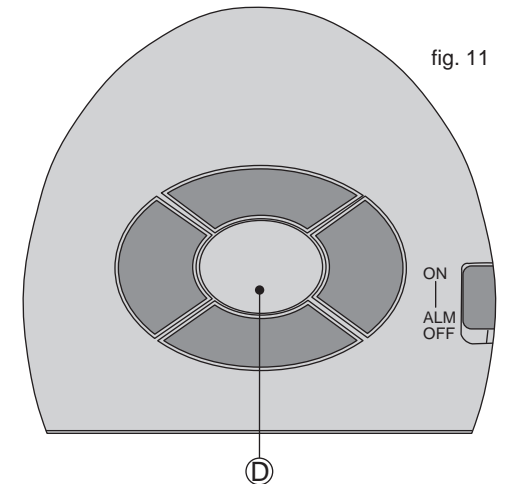
Snooze Function

1. When you want a few extra minutes of sleep after the alarm wakes you, touch the Touch Sensitive Snooze Button (D). The alarm will turn off and come back on again in 9 minutes. You may repeat this operation as often as you like within a period of 1 hour 59 minutes after the pre-set alarm time. See fig. 11.



NOTE:

1. Do not place this unit on a shelf or where it will not receive adequate ventilation as this will cause a hazard.
2. If the unit is plugged into the mains or an extension lead always ensure you have easy access to unplug the unit should a hazard occur.



SPECIFICATIONS

Technical Data

Model no.	255-2460
Power Supply	230VAC-50Hz

Connecting to Power

Check that the voltage marked on the product corresponds with your supply voltage. This product is fitted with a 13A plug complying with BS1363. If this plug is unsuitable or needs to be replaced, please note the following :

Plug Replacement

If you need to replace the fitted plug.



WARNING :

Never connect live or neutral wires to the earth terminal of the plug.
Only fit an approved 13 Amp BS1363/A plug and the correct rated fuse.
If in doubt, consult a qualified electrician.

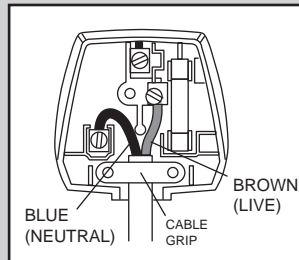
IMPORTANT

The wires in this mains lead are coloured as follows:

Blue-Neutral

Brown-Live

As the colours of the wires in the mains lead of this apparatus may not correspond with the coloured markings identifying the terminals in your plug, proceed as follows:



The wire which is coloured blue must be connected to the terminal, which is marked with N or coloured blue. The wire which is coloured brown must be connected to the terminal which is marked L or coloured brown. Always ensure that the plug cord grip is fastened correctly. If a 13A (BS1363) fused plug is used it must be fitted with a 3A fuse conforming to BS1362 and be ASTA approved. If in doubt contact a qualified electrician.

