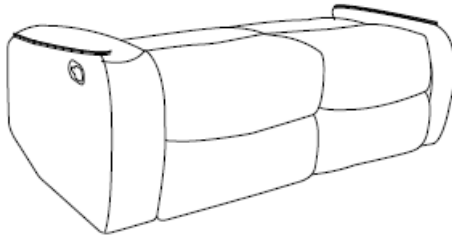


Components

BRADLEY REG SOFA

Simple Assembly Instructions - Please keep for future reference 1438437

Ⓐ 1 x Seat Cushion



Ⓑ 1 x Left Back Rest



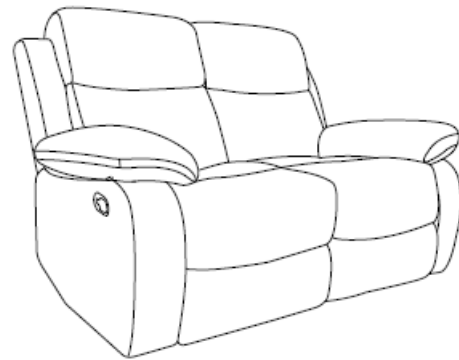
Ⓒ 1 x Right Back Rest



Ⓓ 1 x Left Arm Cushion



Ⓔ 1 x Right Arm Cushion



IMPORTANT

1. Read these instructions carefully and familiarise yourself with the procedure before assembling the unit.
2. Check that you have all the component parts following the list on the back cover and familiarise yourself with each part before proceeding.
3. Take all the fittings out of the plastic bag and separate them into their groups.
4. Ensure you have enough space to lay out all the parts before assembly.
5. To avoid scratching it is recommended that you assemble the unit on a soft level surface.

Assembly Instructions

Stage 1 – Fitting the Unit

NOTE: It would be useful to ask someone to help you at this stage.

1. The arm cushion package is tied inside the bottom of sofa, please get the arm cushion Ⓓ Ⓔ for assembly. See fig.1.
2. Firstly attach the arm cushion. You can find the assembly steps in the last page.
3. Attach the Left Back Rest Ⓑ and Right Back Rest Ⓒ to the Seat Cushion Ⓐ. Engage the metal locks and push fit. You should hear them lock into position. See fig. 2.
4. Fit the velcro cover on the back rests onto the velcro on the seat cushion.

NOTE: Carefully line up the two side metal locks. Ensure they align correctly.



CAUTION:

- Beware of entrapment. Keep hands and fingers clear of the tilt mechanism when operating the controls.
- Ensure that children or pets are not playing or lying in the way when the tilt mechanism is operated.
- Prevent children from playing on the furniture or with the controls.

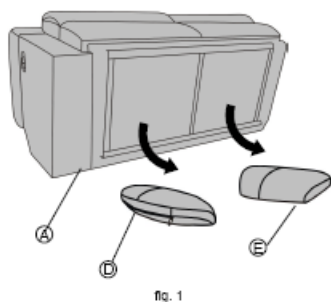


fig. 1

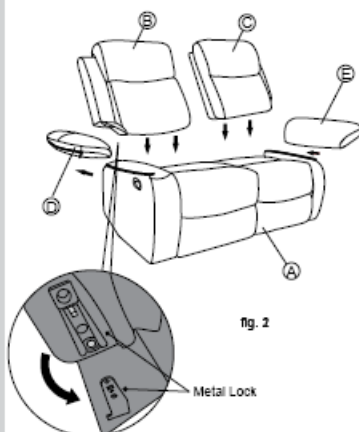


fig. 2

Assembly Instructions

Stage 2 – Finishing the Unit

Back and Foot Rest Adjustment

This Chair features a reclining back rest and raised foot rest. You need to be sitting in the chair to activate the features.

1. Pull the "Adjustment Lever" then gently lean back, the chair will recline and the foot rest will automatically lift up. See fig. 3.
2. Sit up and lock the foot rest. The sofa return to the normal position. See fig. 3.
3. Adjust the recliner to your own requirements.
4. Finally carefully place the unit in the desired location. See fig. 4.

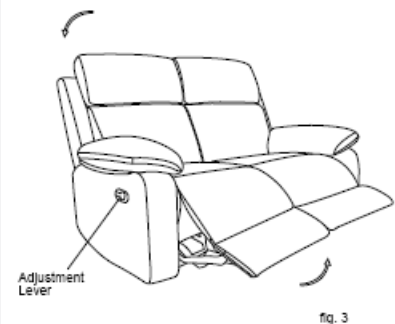


fig. 3



fig. 4

Care and Maintenance

Safety

To avoid any risk of suffocation to animals or children dispose of the plastic bags immediately.

Cleaning

As with all surfaces clean with a damp cloth and mild detergent, do not use bleach or abrasive products.

Fitting

From time to time please ensure there are no loose screws on the product.

Assembly Instructions

Assembly Instructions

Stage 3 - Arm cushion assembly steps

1. Please fix the arm cushion by zipping it onto the outside of the armrest.

See fig. 5.



fig. 5

2. Adjust the arm cushion with the right position onto the armrest.

See fig.6.



fig. 6

3. Press the seat cushion next to the inside of armrest, then stick the velcro into the inside of armrest.

See fig. 7.



fig. 7

Assembly Instructions

Assembly Instructions

Stage 3 - Arm cushion assembly steps

1. Please fix the arm cushion by zipping it onto the outside of the armrest.

See fig. 5.



fig. 5

2. Adjust the arm cushion with the right position onto the armrest.

See fig.6.



fig. 6

3. Press the seat cushion next to the inside of armrest, then stick the velcro into the inside of armrest.

See fig. 7.



fig. 7