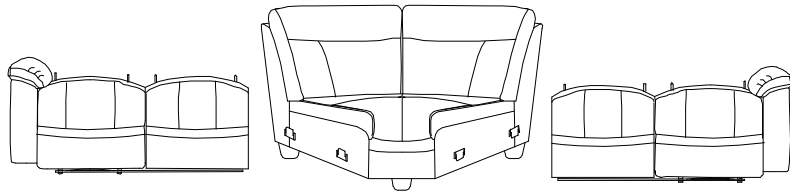


## Components

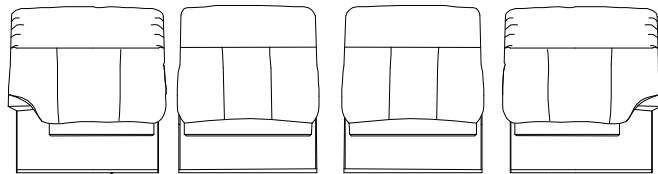
# PAULO CORNER RECLINER UNIT

Simple Assembly Instructions-please keep for future reference

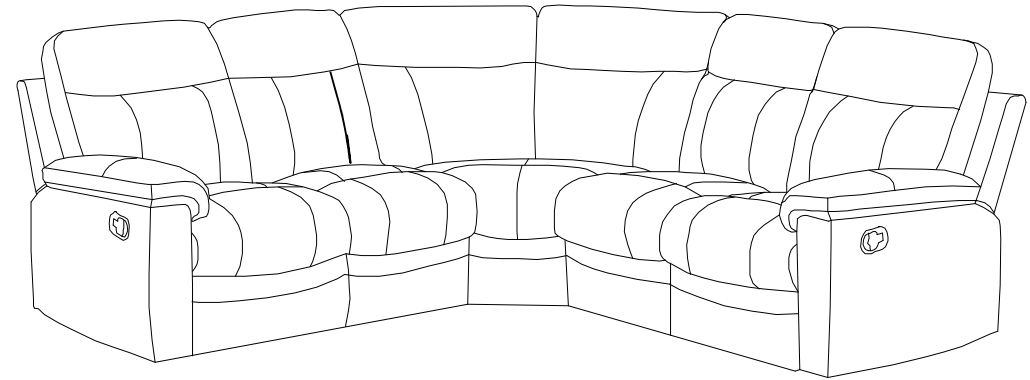
A .1X Left Seat Cushion    B .1X Middle Seat Cushion    C .1X Right Seat Cushion



D .1X Left Back Rest    E .2X Middle Back Rest    F .1X Right Back Rest



Velcro



## IMPORTANT

1. Read these instructions carefully and familiarise yourself with the procedure before assembling the unit.
2. Check that you have all the component parts following the list on the back cover and familiarise yourself with each part before proceeding.
3. Take all the fitting out of the plastic bag and separate them into their groups.
4. Ensure you have enough space to lay out all the parts before assembly.
5. To avoid scratching it is recommended that you assemble the unit on a soft level surface.

# Assembly Instructions

**NOTE: It would be useful to ask someone to help you at this stage.**

1. Carefully combine the Left Seat A together with Back cushion D and E.

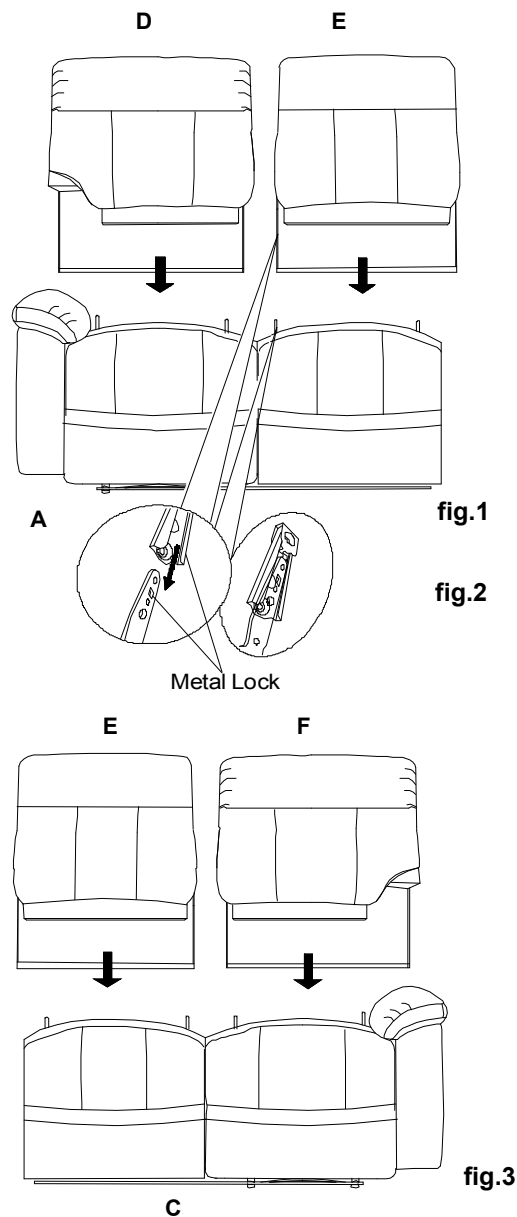
See fig.1.

2. Engage the Metal Locks push them together until you hear them lock into position.

See fig.2.

3. Same with above step 1, carefully combine the right seat cushion together with E and F.

See fig.3.



# Assembly Instructions

**NOTE: It would be useful to ask someone to help you at this stage.**

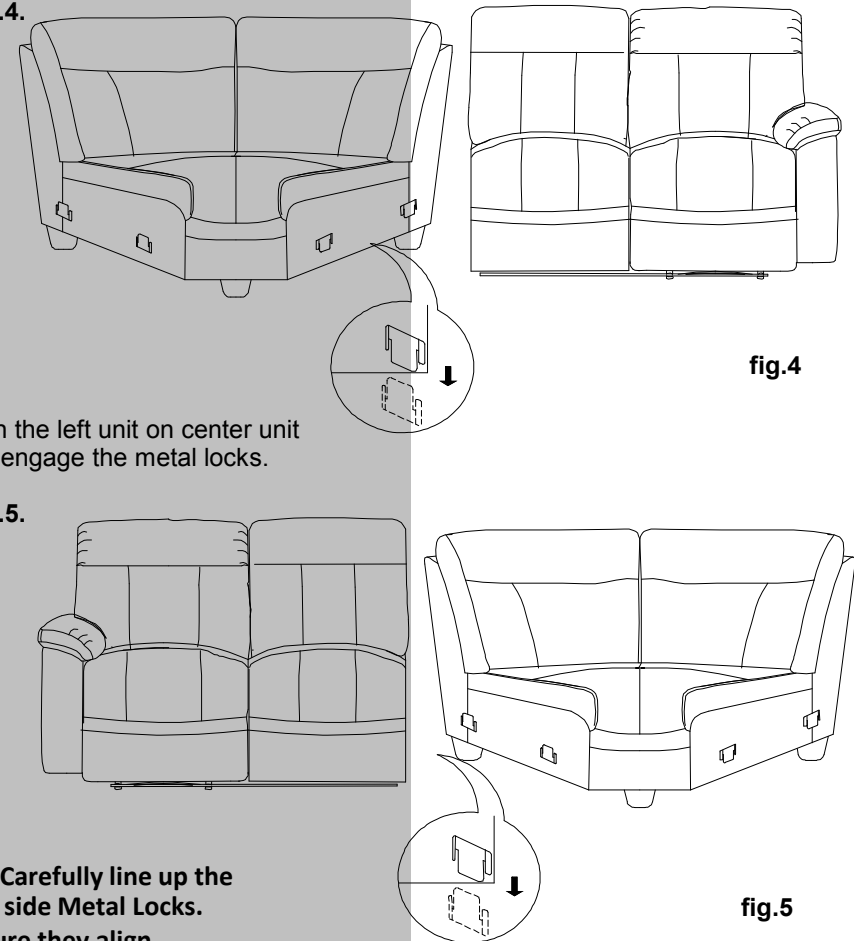
4. Attach the center unit on right unit, Then engage the metal locks.

See fig.4.

5. Attach the left unit on center unit Then engage the metal locks.

See fig.5.

**NOTE: Carefully line up the two side Metal Locks. Ensure they align correctly.**



## Assembly Instructions

**NOTE:** It would be useful to ask someone to help you at this stage.

### Back and Foot Rest Adjustment

This Chair features a reclining back rest and raised foot rest. You need to be sitting in the chair to activate the features.

1. Pull the "Adjustment Lever" then gently lean back, the chair will recline and the foot rest will automatically lift up. See fig.6.

2. Lean forward with the foot pressure, Move your body weight forward and press down with your legs until the footrest returns to the closed position. At this position it will be locked closed. See fig.6.

3. Adjust the recliner to your own requirements.

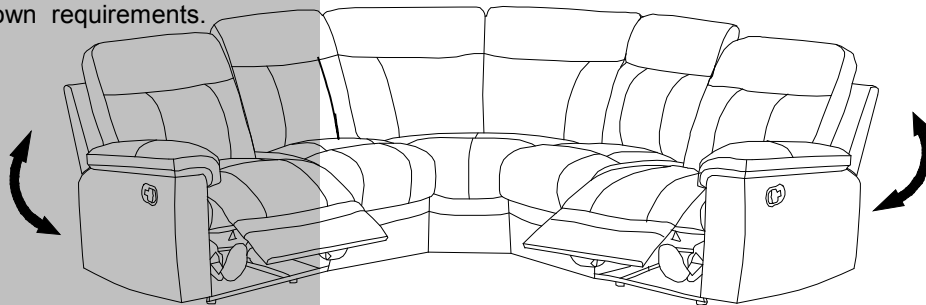


fig. 6

## Assembly Instructions

7. Finally carefully place the unit in the desired location. See fig.7.

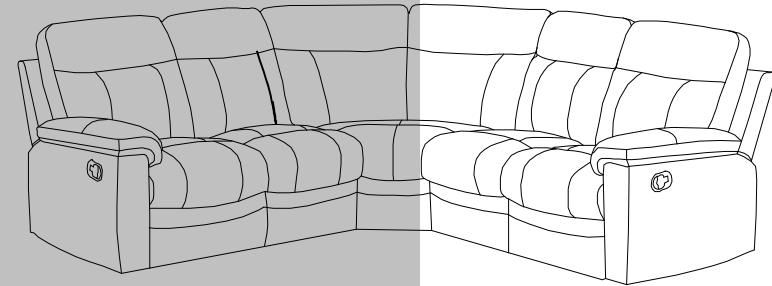


fig. 7



### CAUTION:

Beware of entrapment. Keep hands and fingers clear of the Tilt Mechanism when operating the controls. Ensure that children or pets are not playing or lying in the way when the Tilt Mechanism is operated. Prevent children from playing on the furniture or with the controls.

## Care and Maintenance

### Safety

To avoid any risk of suffocation to animals or children dispose of the plastic bags immediately.

### Cleaning

As with all surfaces clean with a damp cloth and mild detergent, do not use bleach or abrasive products.

### Fitting

From time to time please ensure there are no loose screws on the product.