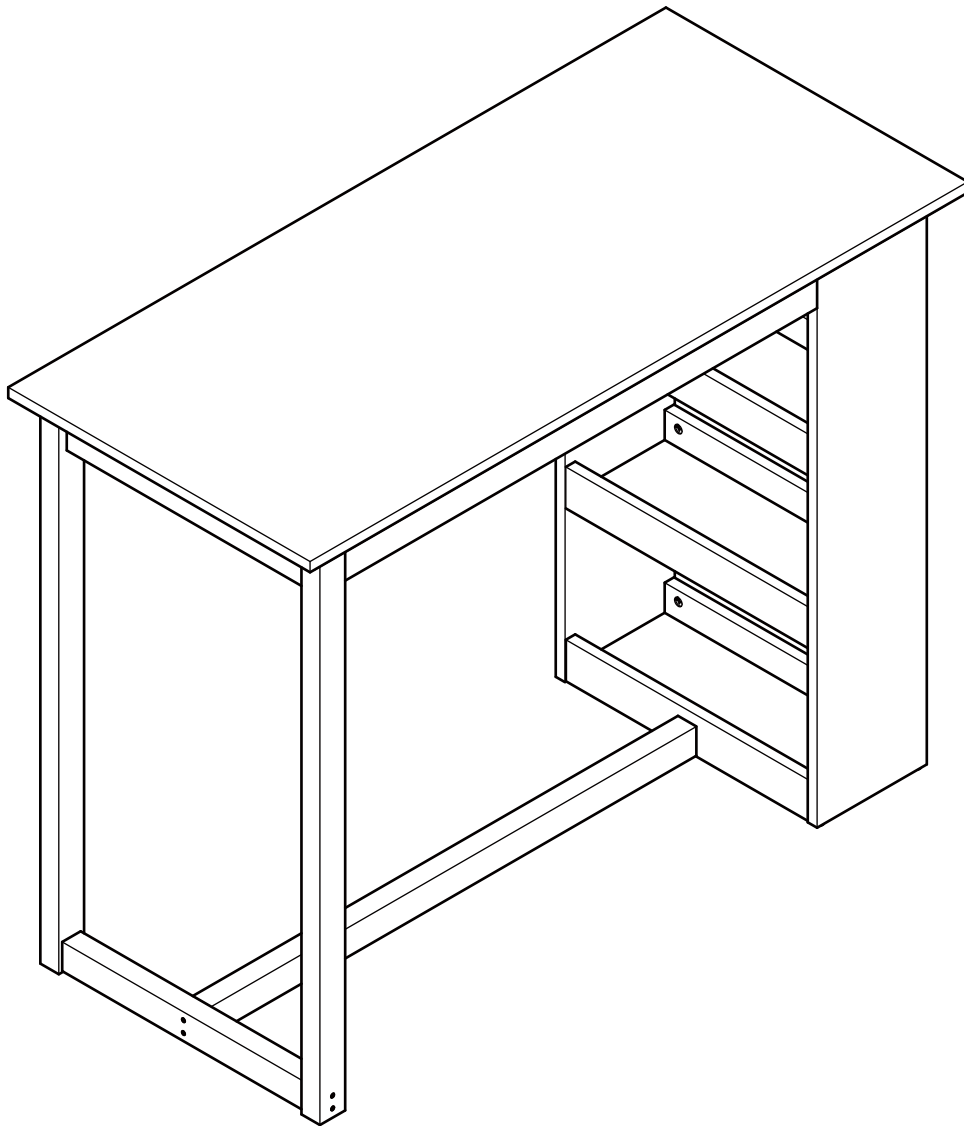


Nomad


habitat




Spare Parts

 www.argos-support.co.uk

 Help@ClickSpares.co.uk

 0370 112 1928

Customer Support

 0345 640 2020



Safety and Care Advice

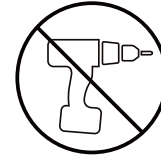
Product Details

Bar Table 225/5365

IMPORTANT, RETAIN FOR FUTURE REFERENCE: READ CAREFULLY.

- Keep children and animals away from the work area, small parts could choke if swallowed.
- Make sure you have enough space to layout the parts before starting.
- This product has been constructed to be used in the domestic environment only and not for commercial purposes.

- Assemble the item as close to its final position (in the same room) as possible.
- Assemble on a soft level surface to avoid damaging the unit or your floor.



- We do not recommend the use of power drill/drivers for inserting screws as this could damage the unit. Only use hand screwdrivers.
- Parts of the assembly will be easier with 2 people.
- Dispose of all packaging carefully and responsibly.

Care and maintenance

- Only clean using a damp cloth and mild detergent. Do not use abrasive cleaners.
- Use a dry cloth to clean the product, furniture polish is not recommended.
- From time to time check that there are no loose screws, nuts or bolts. If there are please re-tighten.
- This product should not be discarded with household waste. Take to your local authority waste disposal centre.

WARNING

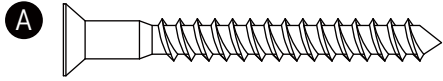
In order to prevent overturning this product must be used with the wall attachment device provided.

Additional Guidance

- Assemble all parts and bolts loosely during assembly, only once the product is complete should you fully tighten the bolts.
- Regularly check and ensure that all bolts and fittings are tighten properly.
- This product is compliant BS4875-7 level 2, EN12521

Fittings (Shown to scale)

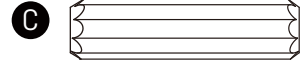
Bag 1



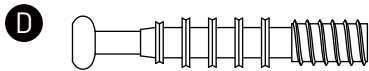
A
5 x 50mm Screw x 12
SCR050500



B
Screw Cover x 6
CAP11504000



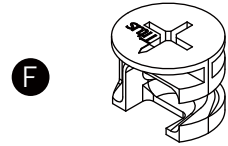
C
8 x 30mm Dowel x 16
PGW0830



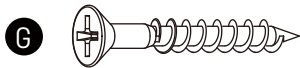
D
7 x 39mm Locking Pin x 32
SCR07039



E
Leg Pad x 6
FOT0170151



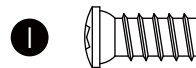
F
15 x 12mm Locking Nut x 32
FIT1512000



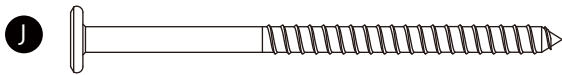
G
4 x 30mm Screw x 8
SCR04030



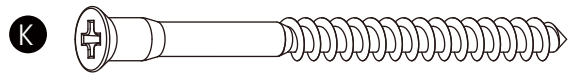
H
Allen Key x 1
PAR250704



I
6 x 15mm Screw x 16
SCR060150



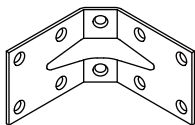
J
6 x 65mm Screw x 2
SCR063650



K
5 x 65mm Screw x 6
SCR05065

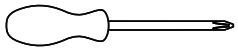
Hardware

L

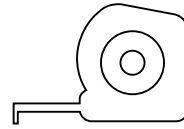


Bracket x 2
PAR480730

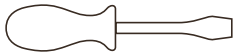
Tools required



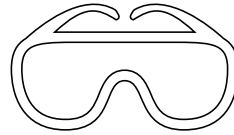
Phillips screwdriver
(small & medium)



Ruler/tape
measure



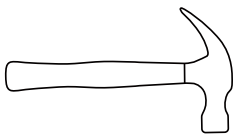
Flat-head screwdriver
(small & medium)



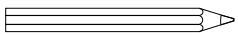
Eye protection
(when using a
hammer or glue)



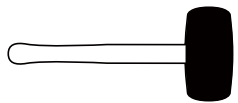
Small
hammer



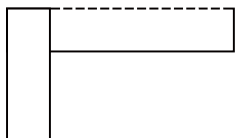
Large hammer



Pencil



Mallet



Set Square



Spirit Level

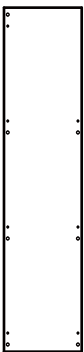
Panels



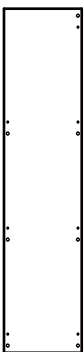
1 Top (1300 x 596mm)



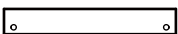
2 Underneath Panel (1264 x 560mm)



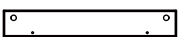
3 Front (216 x 960mm)



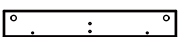
4 Back (216 x 960mm)



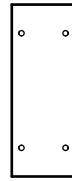
5 Top Right Support (480 x 70mm)



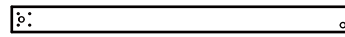
6 Shelf Side (480 x 70mm) (x5)



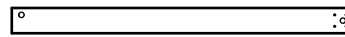
7 Bottom Left Side (480 x 70mm)



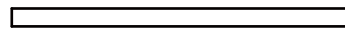
8 Shelf (177 x 480mm) (x3)



9 Back Support (951 x 70mm)



10 Front Support (951 x 70mm)



11 Bottom Rail (960 x 50mm)



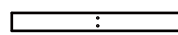
12 Left Back Leg (50 x 960mm)



13 Left Front Leg (50 x 960mm)

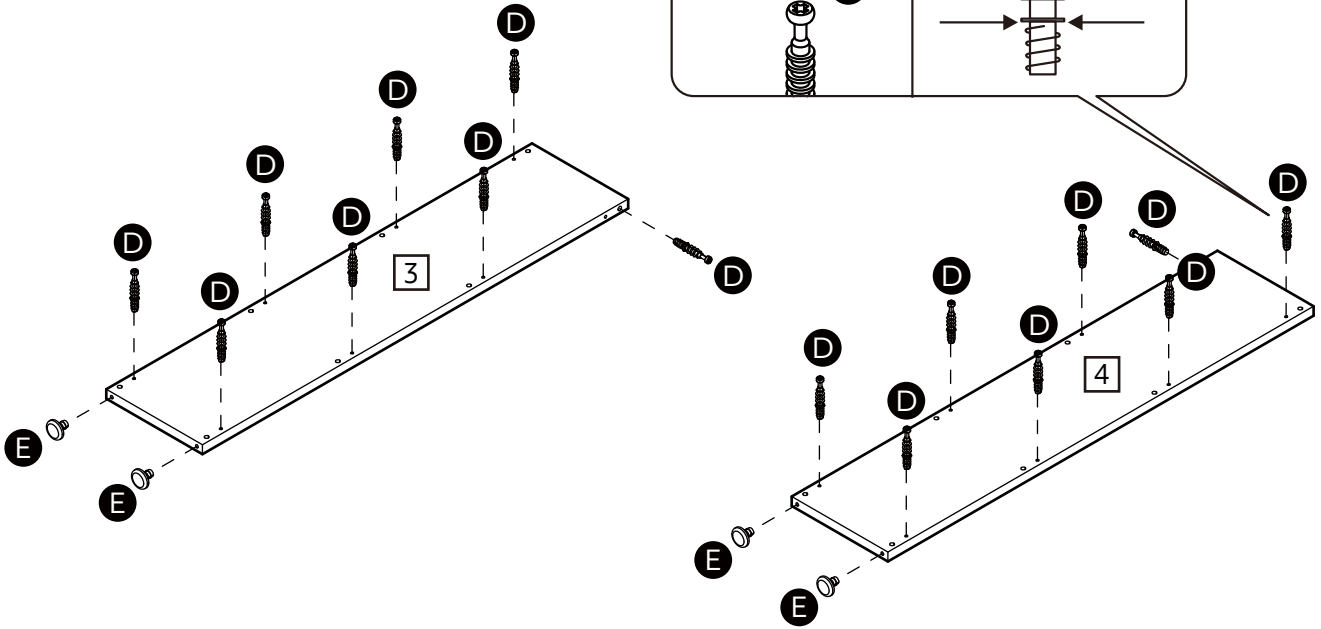
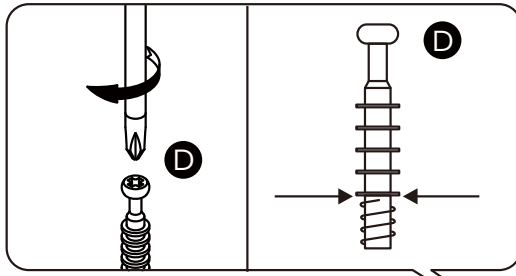
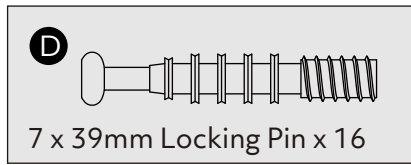
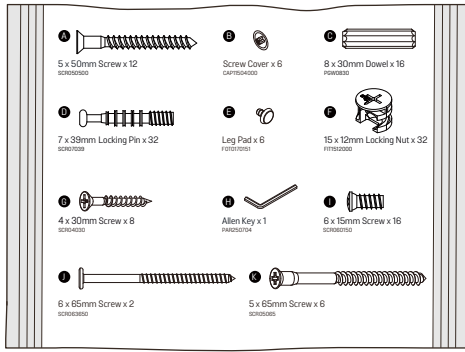


14 Top Left Support (480 x 70mm)

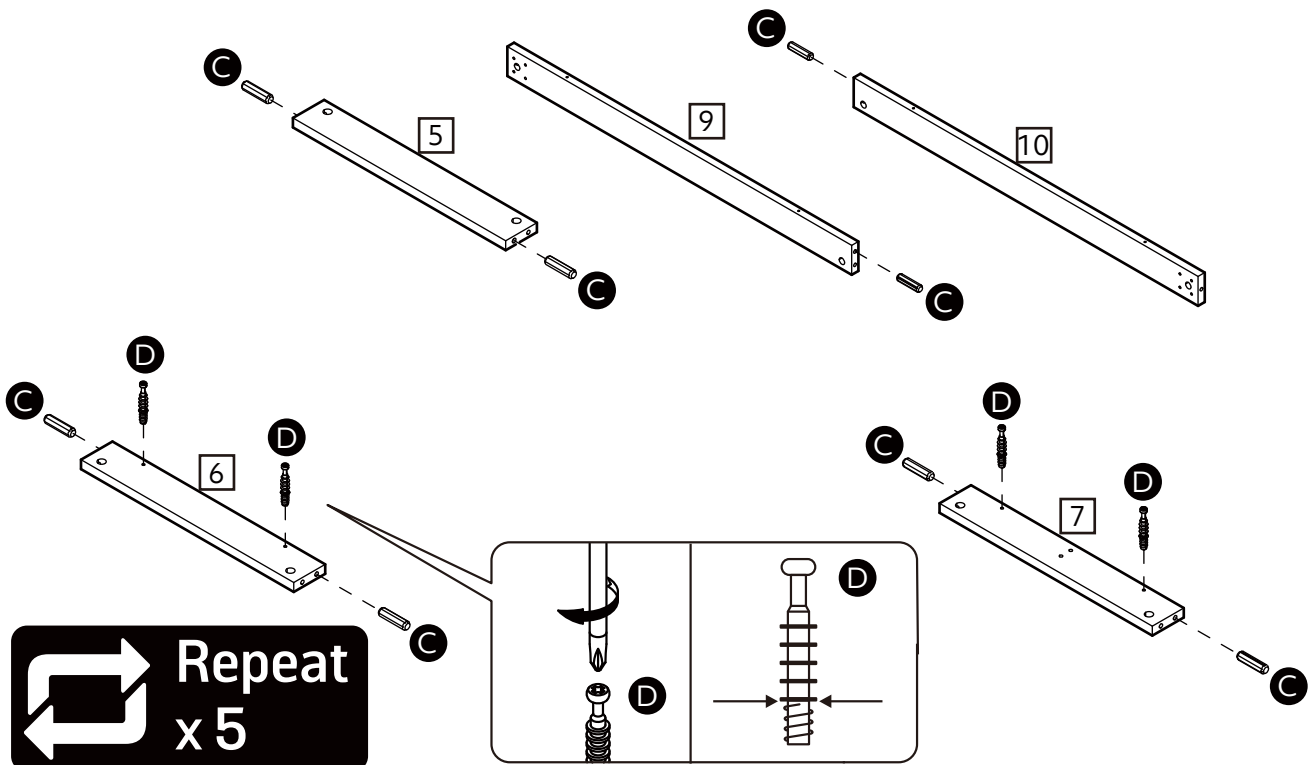
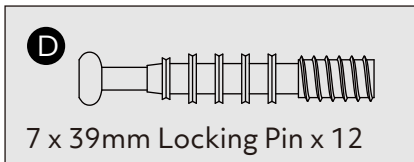


15 Bottom Left Support (480 x 50mm)

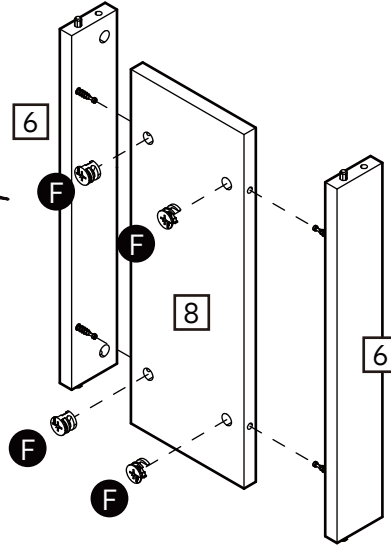
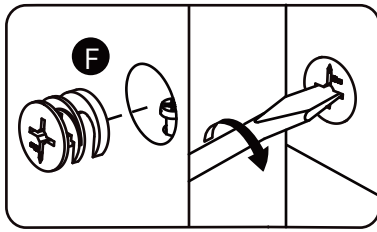
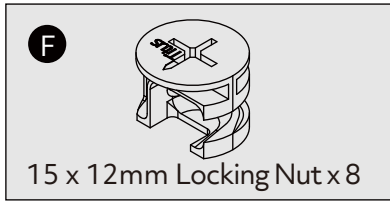
1



2

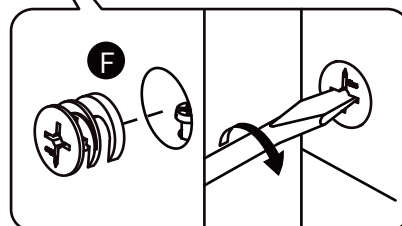
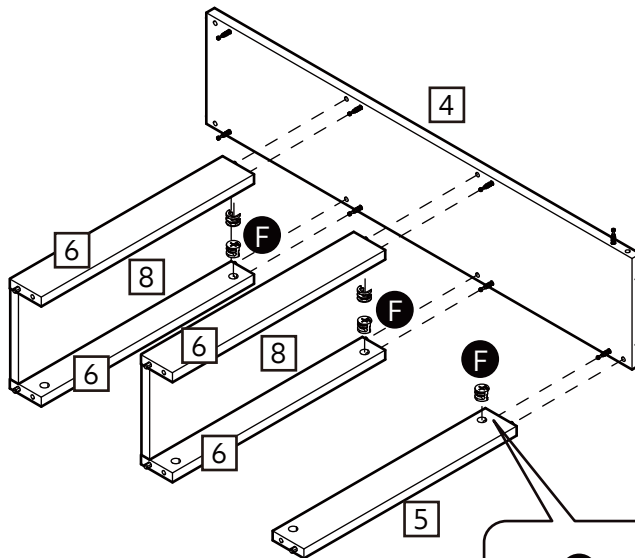
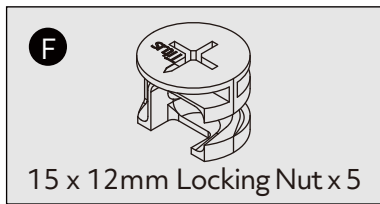


3

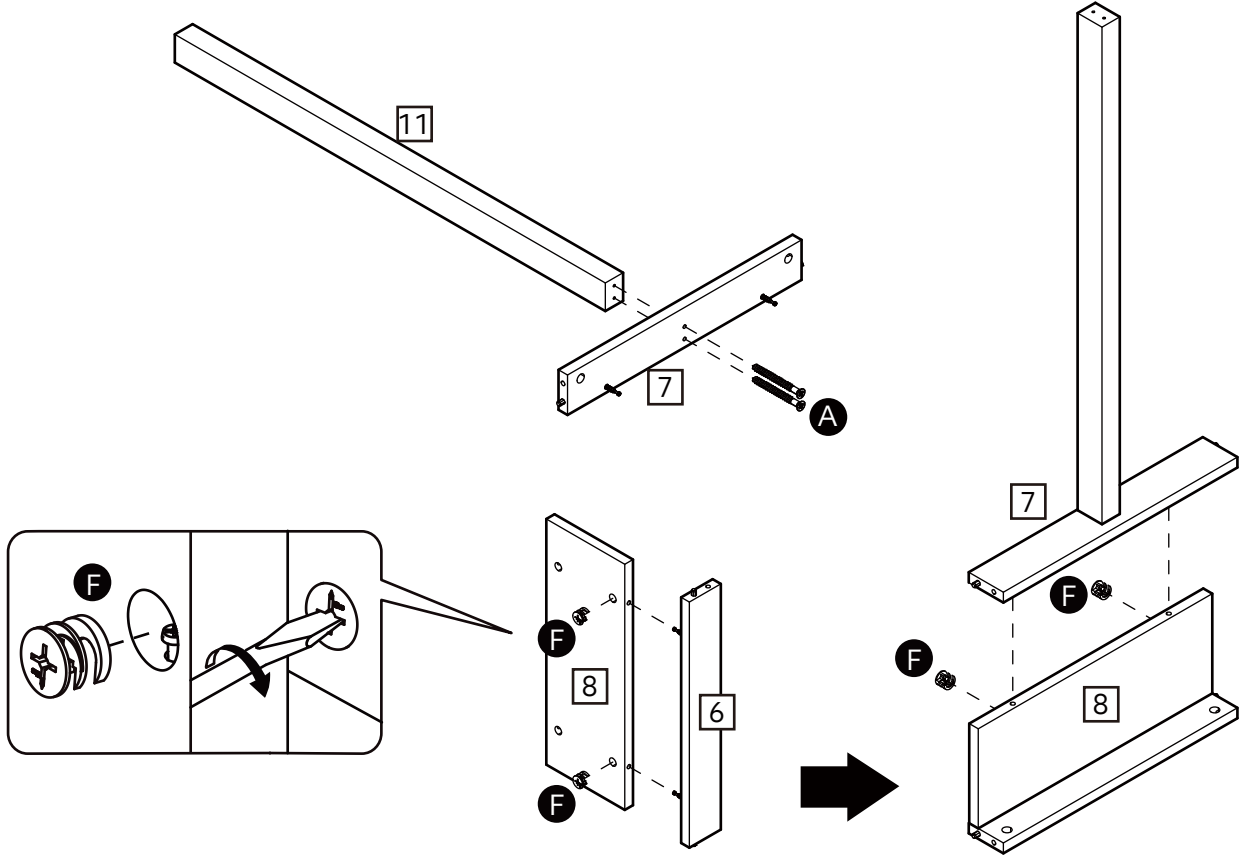
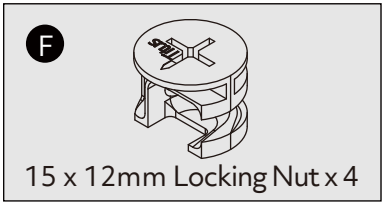
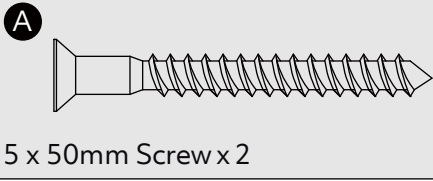


 Repeat
x 2

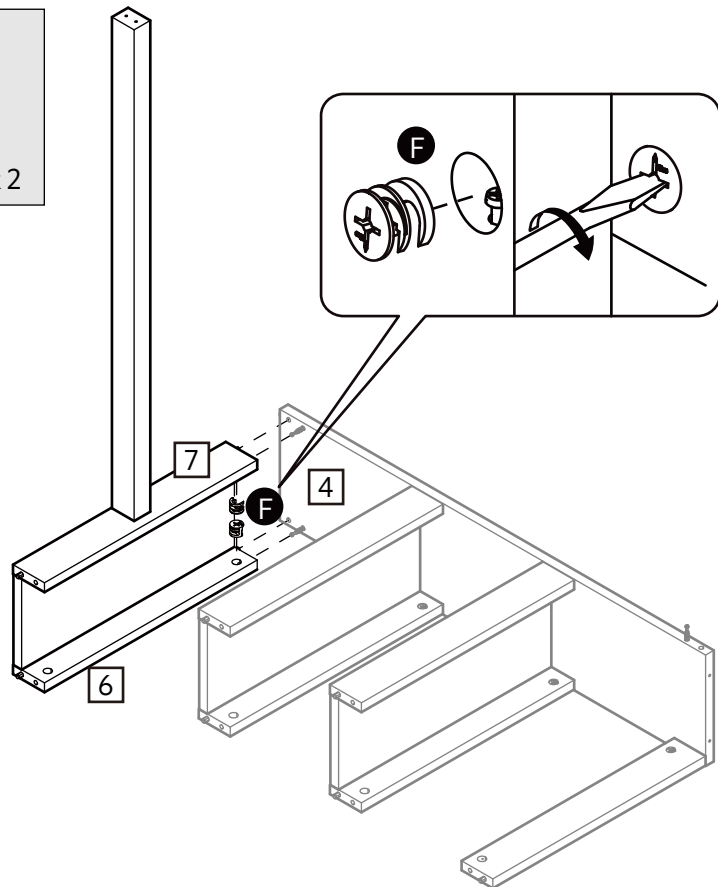
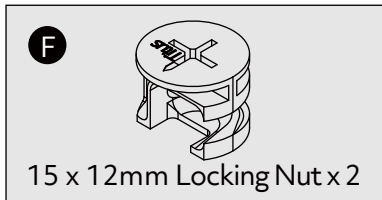
4



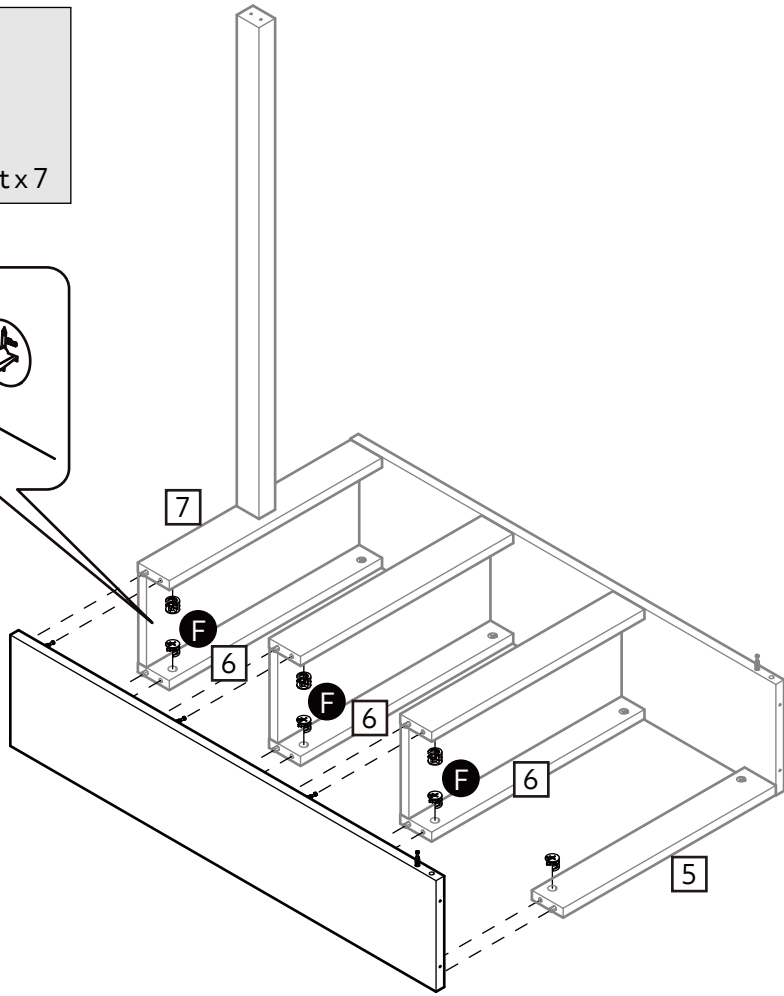
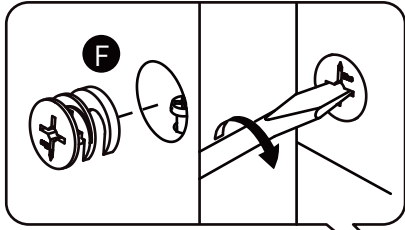
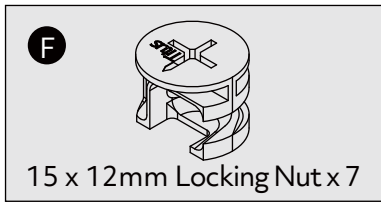
5



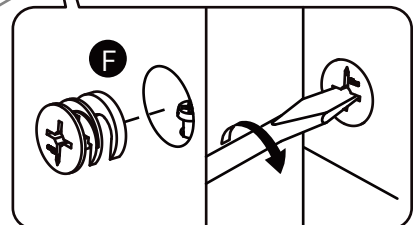
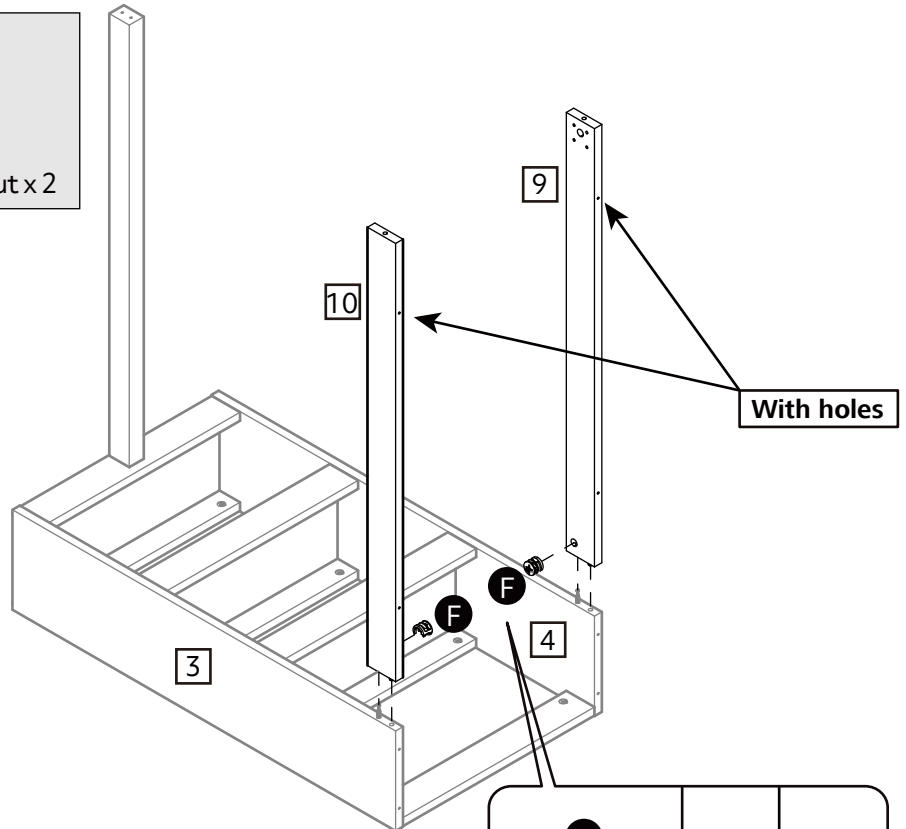
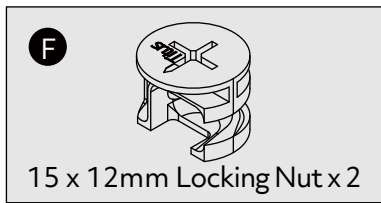
6



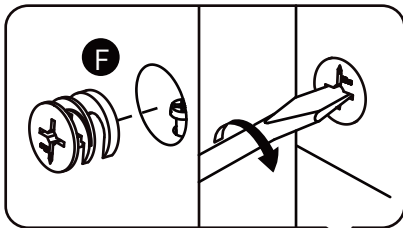
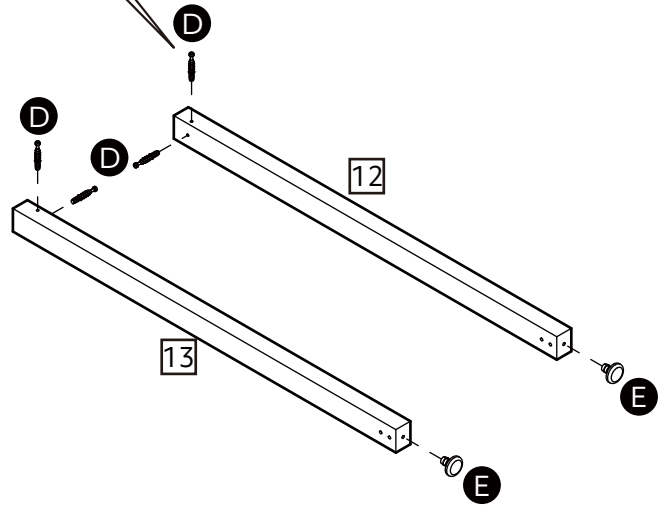
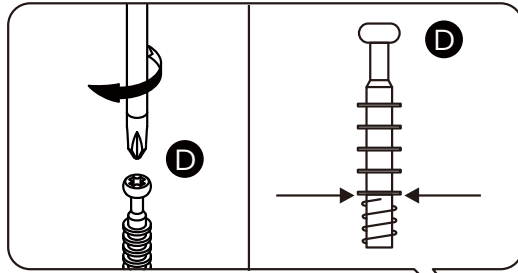
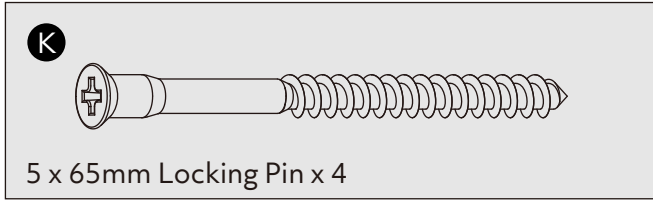
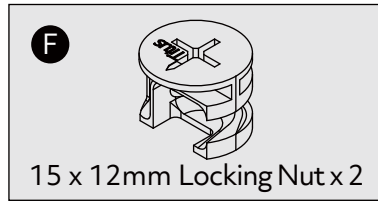
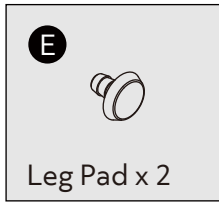
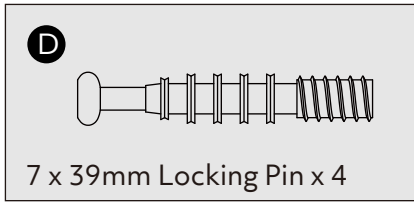
7



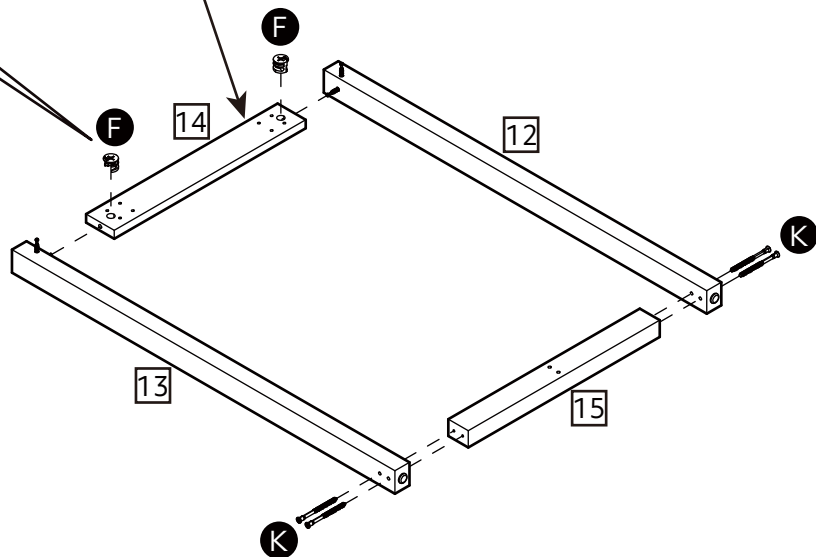
8



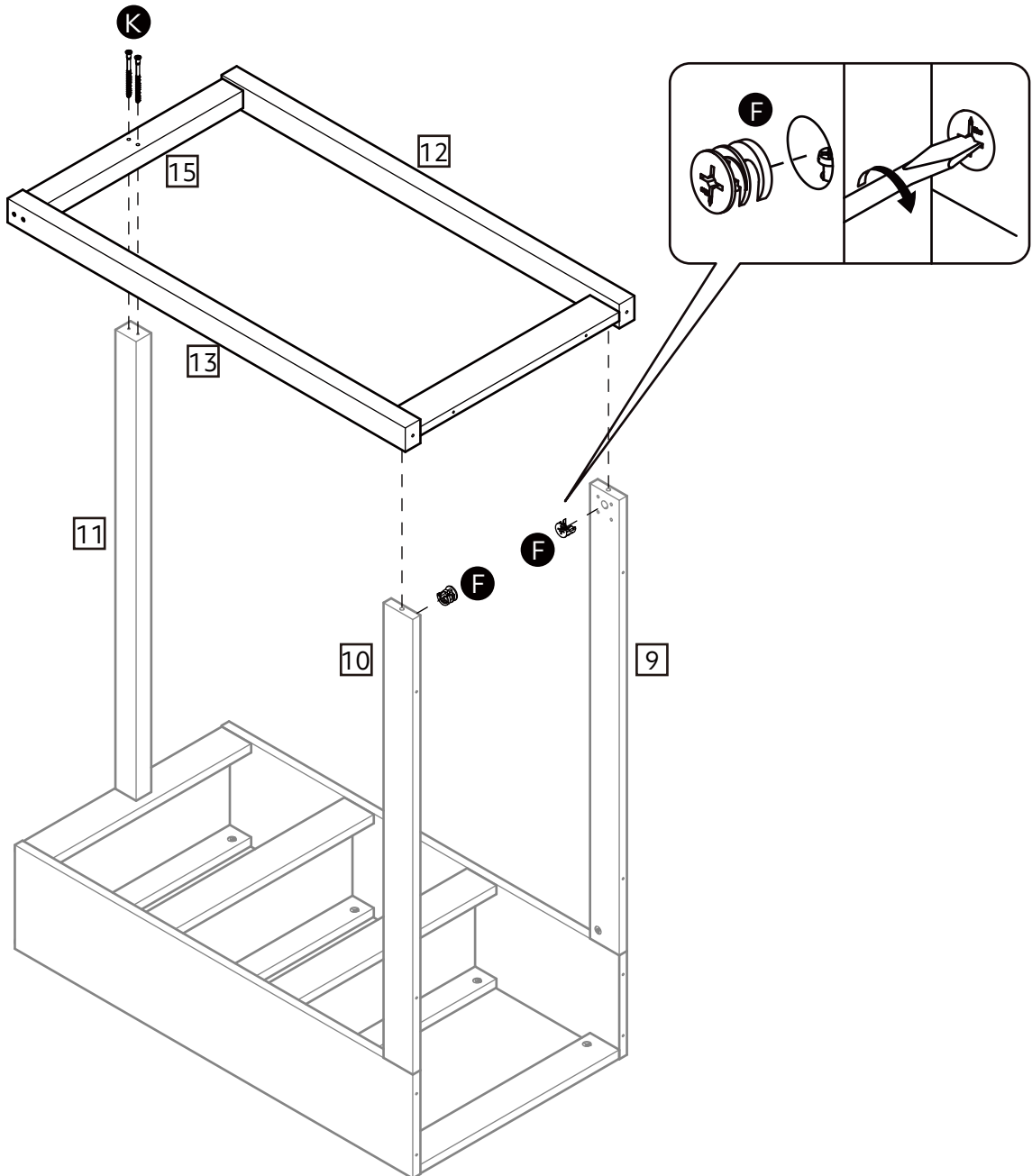
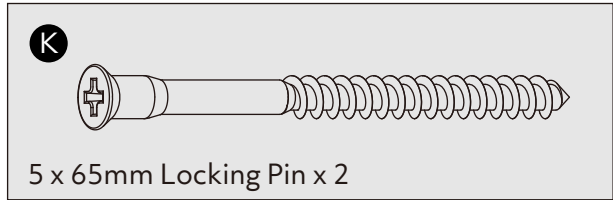
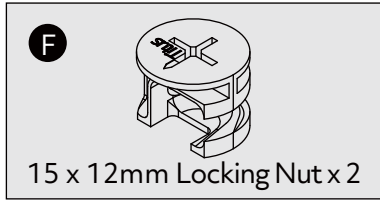
9



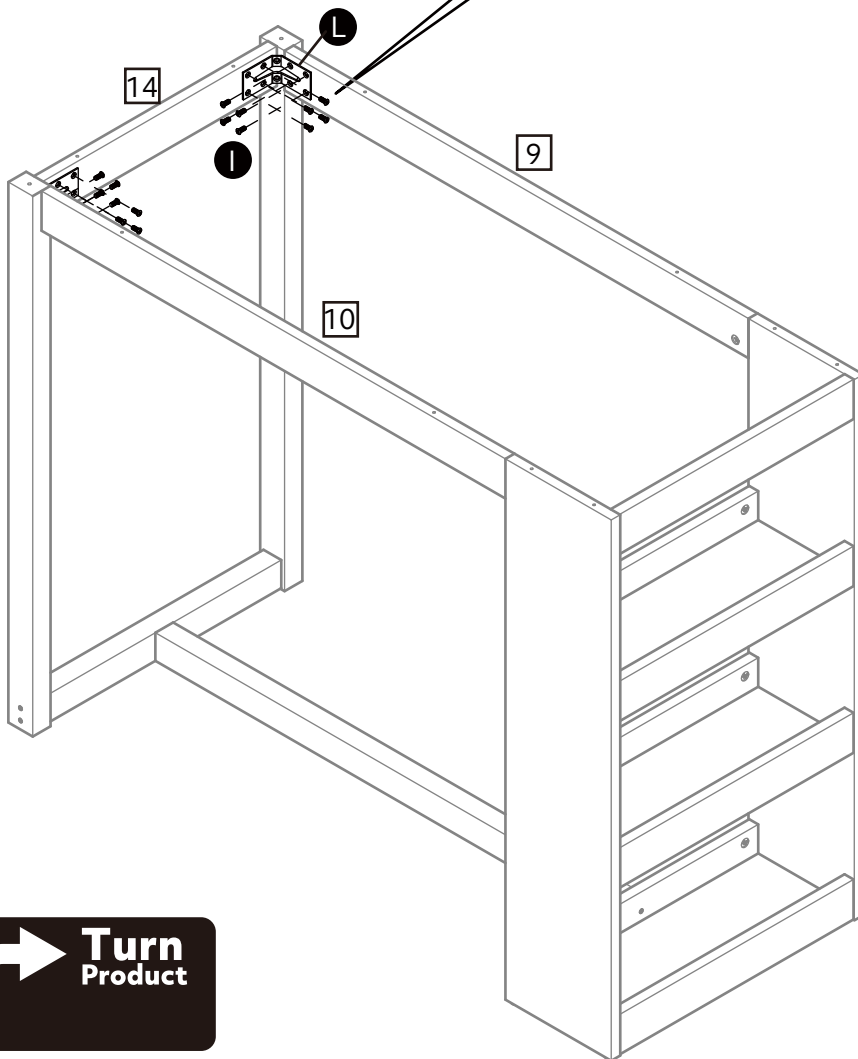
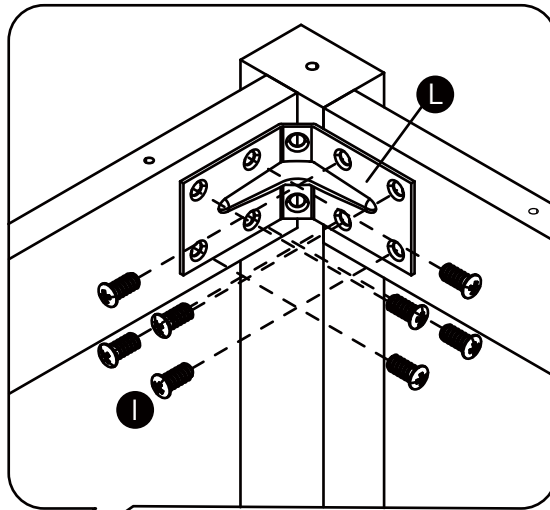
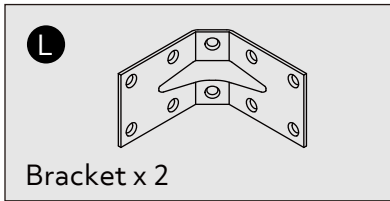
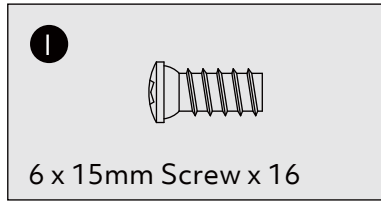
With holes



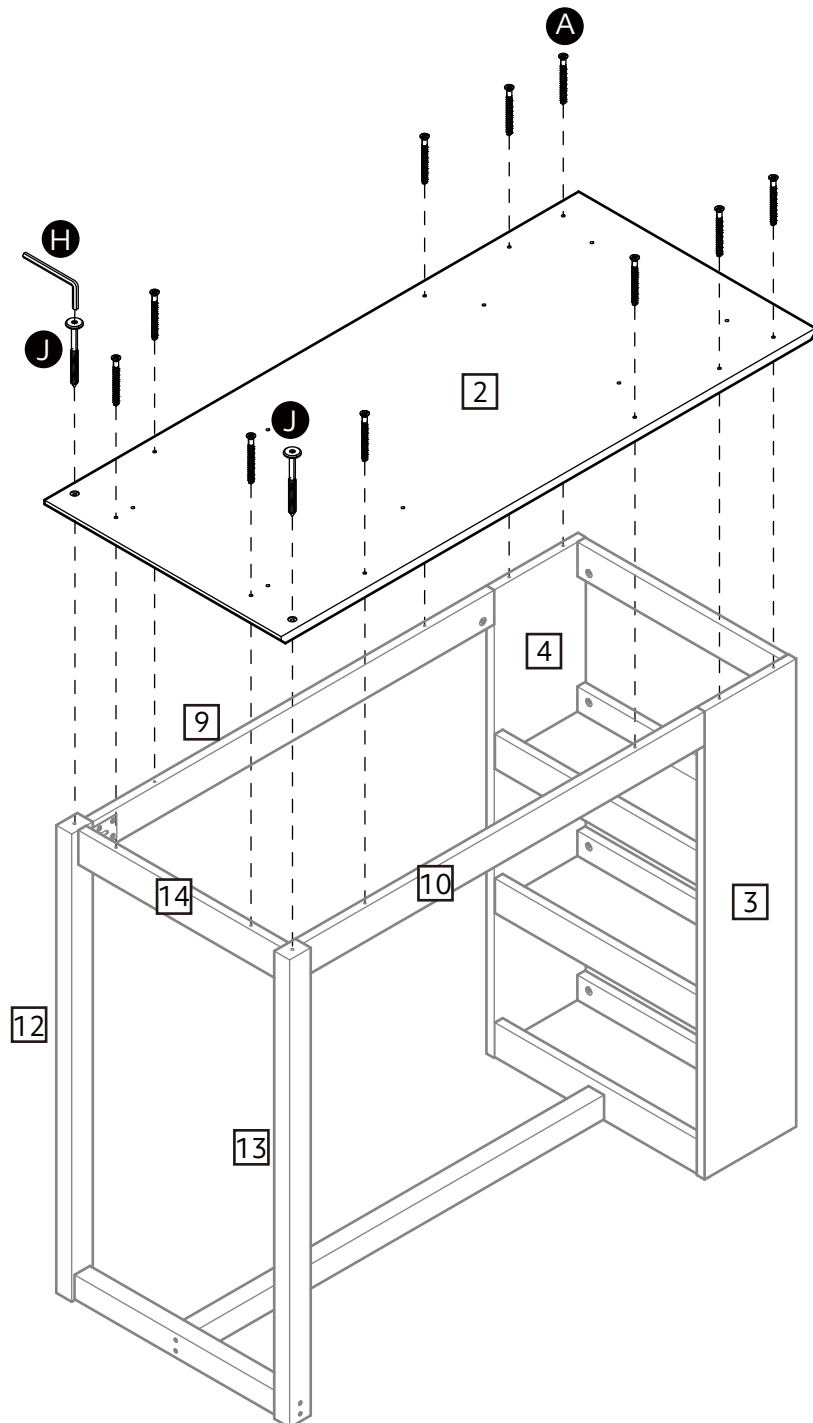
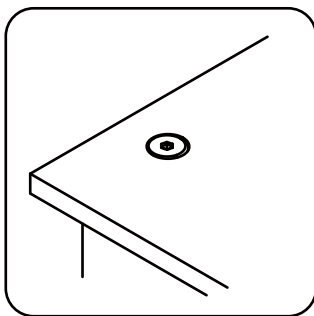
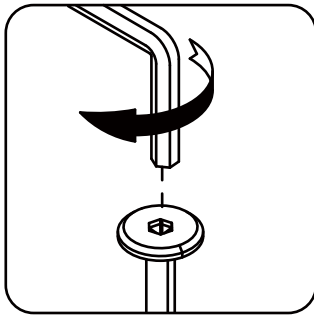
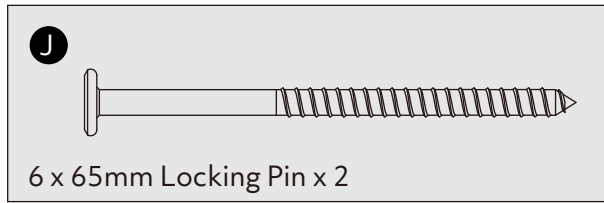
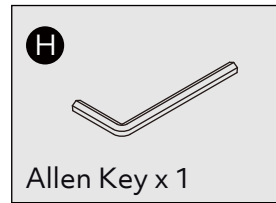
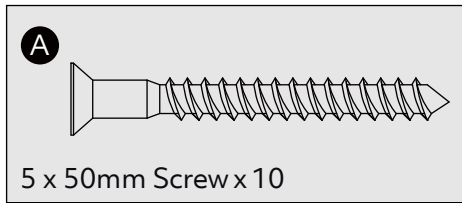
10



11



12



13

