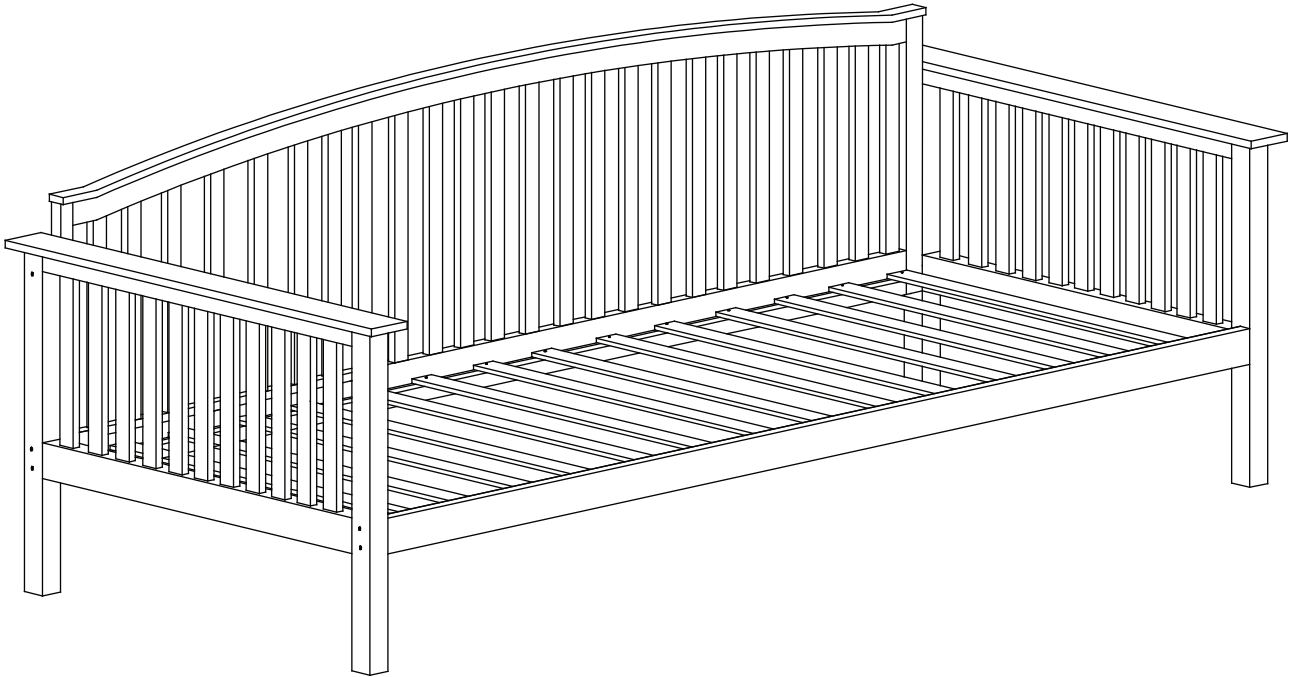


MADRID WOODEN DAY BED ASSEMBLY INSTRUCTIONS

Thank you for purchasing the MADRID WOODEN DAY BED Please read the instructions carefully to ensure safe operation of the product.



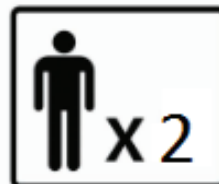
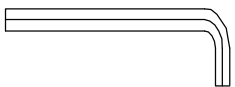
Size: 3FT L 2060 x W 997 x H 1075

PLEASE READ this sheet prior to assembly to familiarise yourself with the various stages of construction.

Carefully open the pack supplied and check the contents against the parts and fittings check list. Do not destroy any of the packaging until you are certain that you have all the necessary parts for the assembly.

CAUTION: There are small components used in the construction of this unit. These loose items should be kept away from young children whilst assembling your unit to avoid the danger of choking hazards.

Tools Required



1 Hour
Set Up

MADRID DAY BED ASSEMBLY INSTRUCTION

IMPORTANT - READ CAREFULLY - RETAIN THESE INSTRUCTIONS FOR FUTURE REFERENCE.

INFORMATION

- This product is intended for a maximum person's weight of 100kg per side. Do not exceed this weight.
- Due to the size of this product we recommend that it is assembled in the room intended for use.
- When you are ready to start, make sure that you have the right tools, plenty of space and a clean, dry area for assembly.
- Unwrap all packaging materials and place the components on top of the carton box or on a clean floor to prevent it from scratching.
- Check the pack and make sure you have all the parts listed.
- Ensure that this product is fully assembled and secured as illustrated before use.
- Check all screws or bolts are tightened and inspect regularly.
- This product should only be used on firm level ground.
- Please dismantle for transportation.
- Tools are included.

WARNINGS

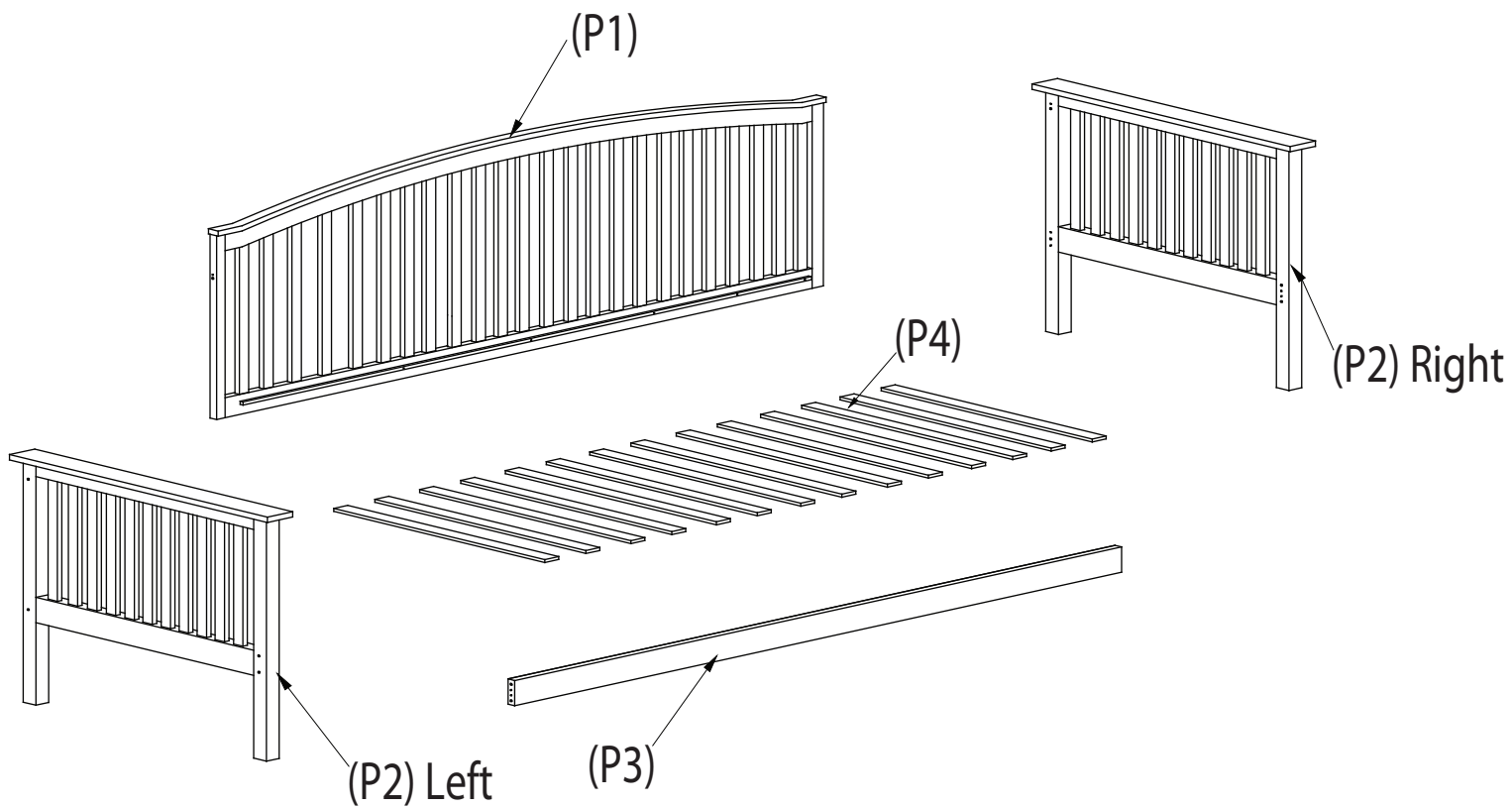
- Keep small parts out of reach of children
- Make sure the legs remain in contact with the ground
- Do not use power tools to construct this product
- Do not tighten screws until fully assembled
- Do not over tighten screws or bolts
- Do not use this product if parts are missing, damaged or worn
- Do not stand on the product

CARE INFORMATION

- Never use scourers, abrasives or chemical cleaners
- To clean and wipe with a sponge and warm soapy water. Do not use solvent based cleaners or detergents as they can bleach or damage the product

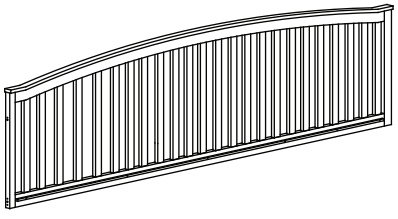
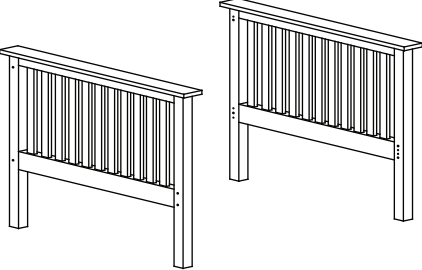
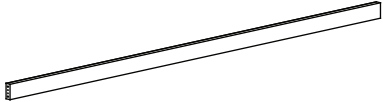
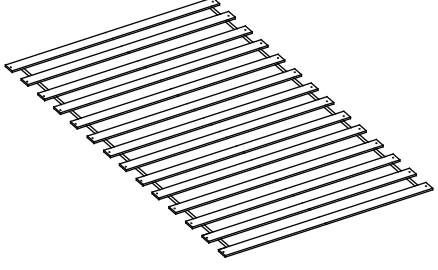
MADRID DAY BED ASSEMBLY INSTRUCTIONS

Please check the pack contents before assembling the product. If any components are missing, please contact your retailer. The fittings pack contains small items that should be kept away from small children.



MADRID DAY BED ASSEMBLY INSTRUCTIONS

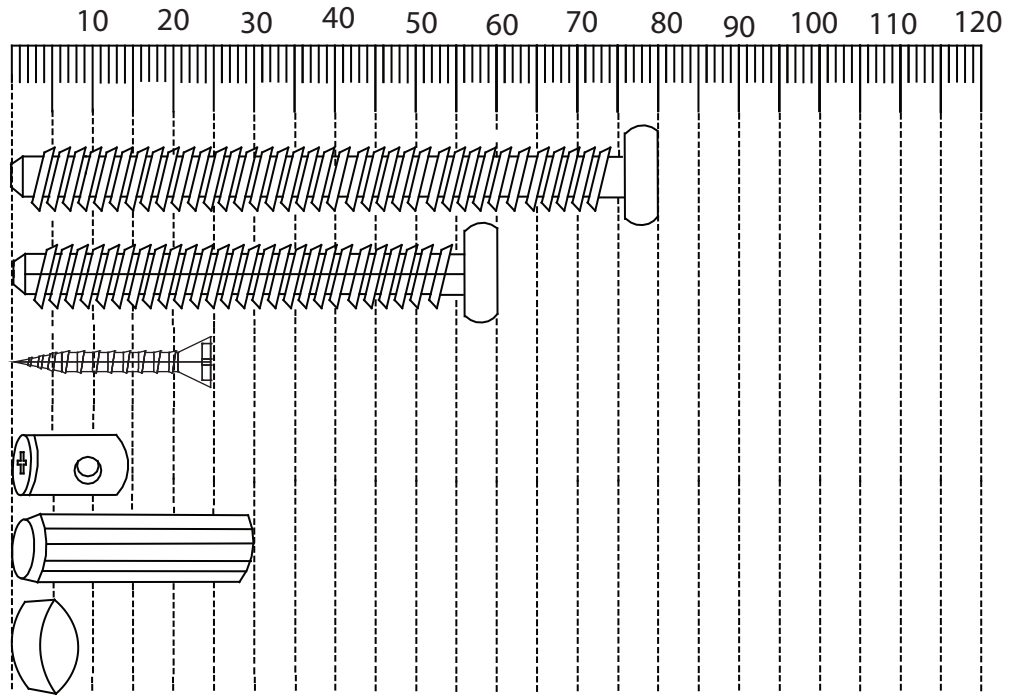
Parts

<p>P1</p> 	<p>P2</p> 	<p>P3</p> 
<p>BACK REST 1PC Carton No:2</p>	<p>ARM LEFT AND RIGHT 2PCS Carton No: 1</p>	<p>SIDE RAIL 1PC Carton No: 2</p>
<p>P4</p> 		
<p>SLAT 14PCS Carton No: 2</p>		

MADRID DAY BED ASSEMBLY INSTRUCTIONS

Fixings (to scale)

Ref	Dimensions	Qty
H1	JCBC SCREW M6 X 80MM	4
H2	JCBC SCREW M6 X 60MM	4
H3	SCREW CSK M4 X 25MM	28
H4	BARREL NUT M6 X 13MM	4
H5	DOWEL M10 X 30MM	10
H6	WOOD BUTTON 8MM	8



(Not to scale)

Ref	Dimension	Qty
H7	ALLEN KEY M4	1

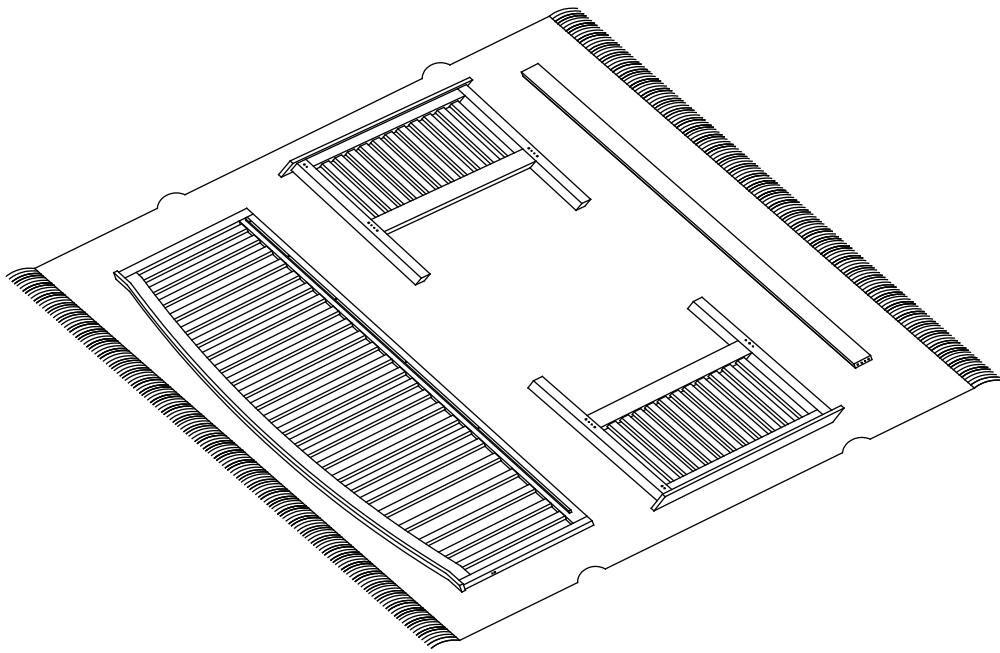


CAUTION: There are many small components used in the construction of this product. Please keep these components away from young children whilst assembling this product.

If you keep the fittings in a bowl during assembly you will be less likely to lose them

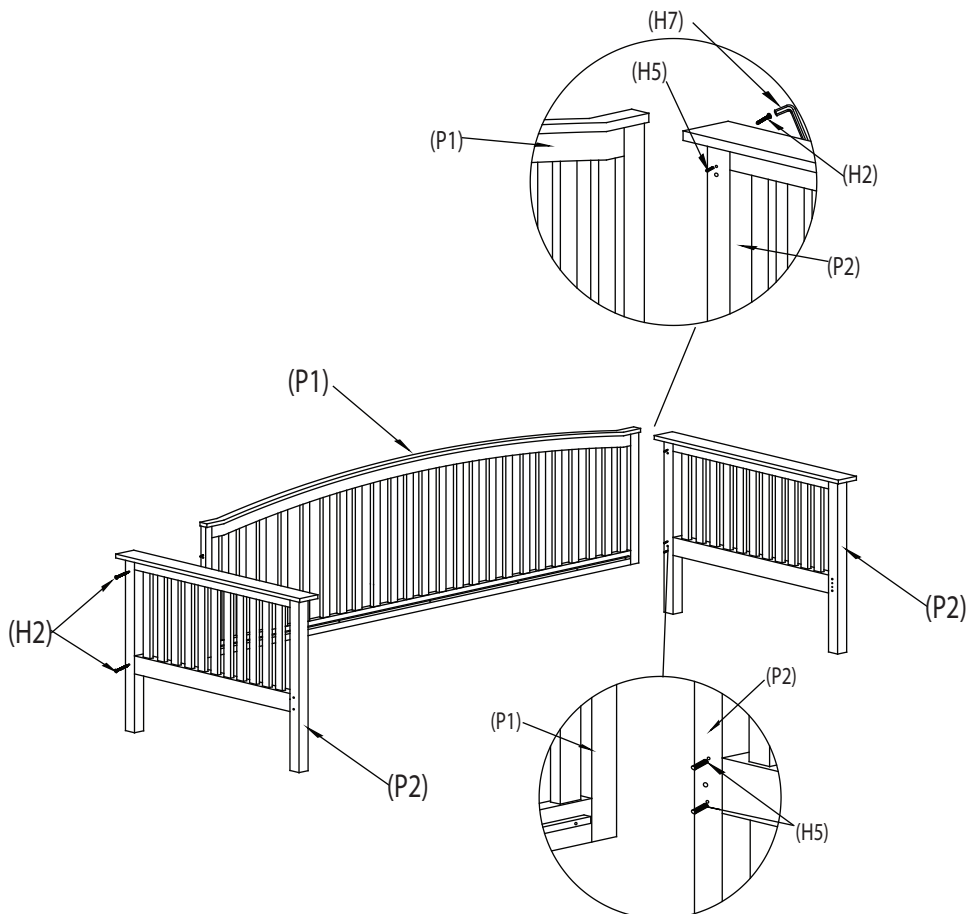
MADRID DAY BED ASSEMBLY INSTRUCTIONS

Lay out all 4 sides on a soft surface i.e. Rug, Carpet or Packaging Carton



STEP 1

Parts Required



- (P1)
BACK REST - 1PC
- (P2)
ARM - 2PCS
- (H2)
JCBC SCREW
M6 x 60MM - 4pcs
- (H5)
DOWEL
M10 x 30MM - 6pcs
- (H7)
M4 Allen Key - 1pc

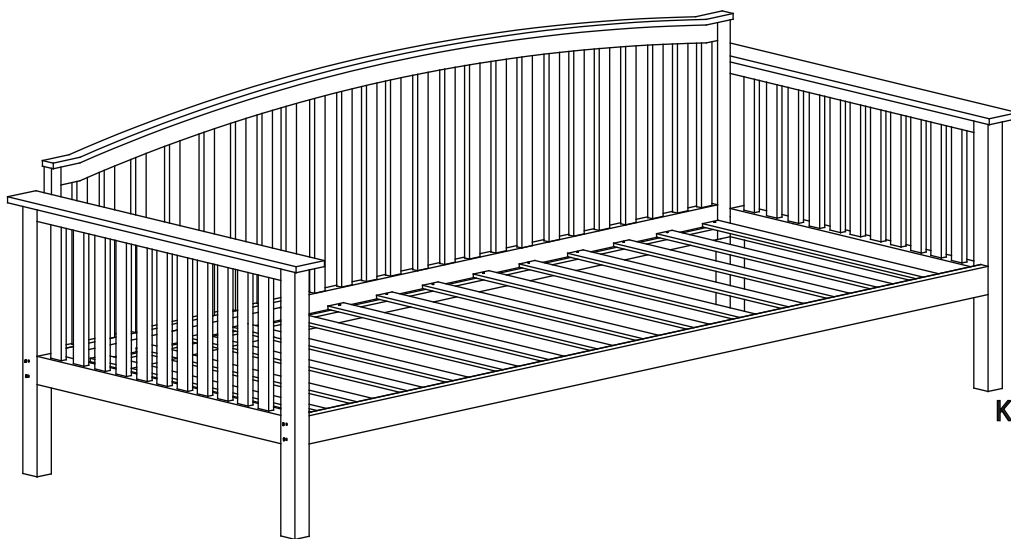
MADRID DAY BED ASSEMBLY INSTRUCTIONS

STEP 2	Parts Required
	<p>(P3) SIDE RAIL - 1pc</p> <p>(H1) JCBC M4 X80MM - 4pcs</p> <p>(H4) BARREL NUT M6 X13MM - 4pcs</p> <p>(H5) DOWEL M10 X30MM - 4pcs</p> <p>(H7) ALLEN KEY M4 - 1pc</p>

STEP 3	Parts Required
	<p>(P4) MATTRESS SLAT - 14PCS</p> <p>(H3) SCREW CSK M4 x 25MM - 28pcs</p> <p>(H6) WOOD BUTTON -8pcs</p> <p>(P2) ARM -2pcs</p>

MADRID DAY BED ASSEMBLY INSTRUCTIONS

COMPLETE ASSEMBLY



Keep instructions for future reference

