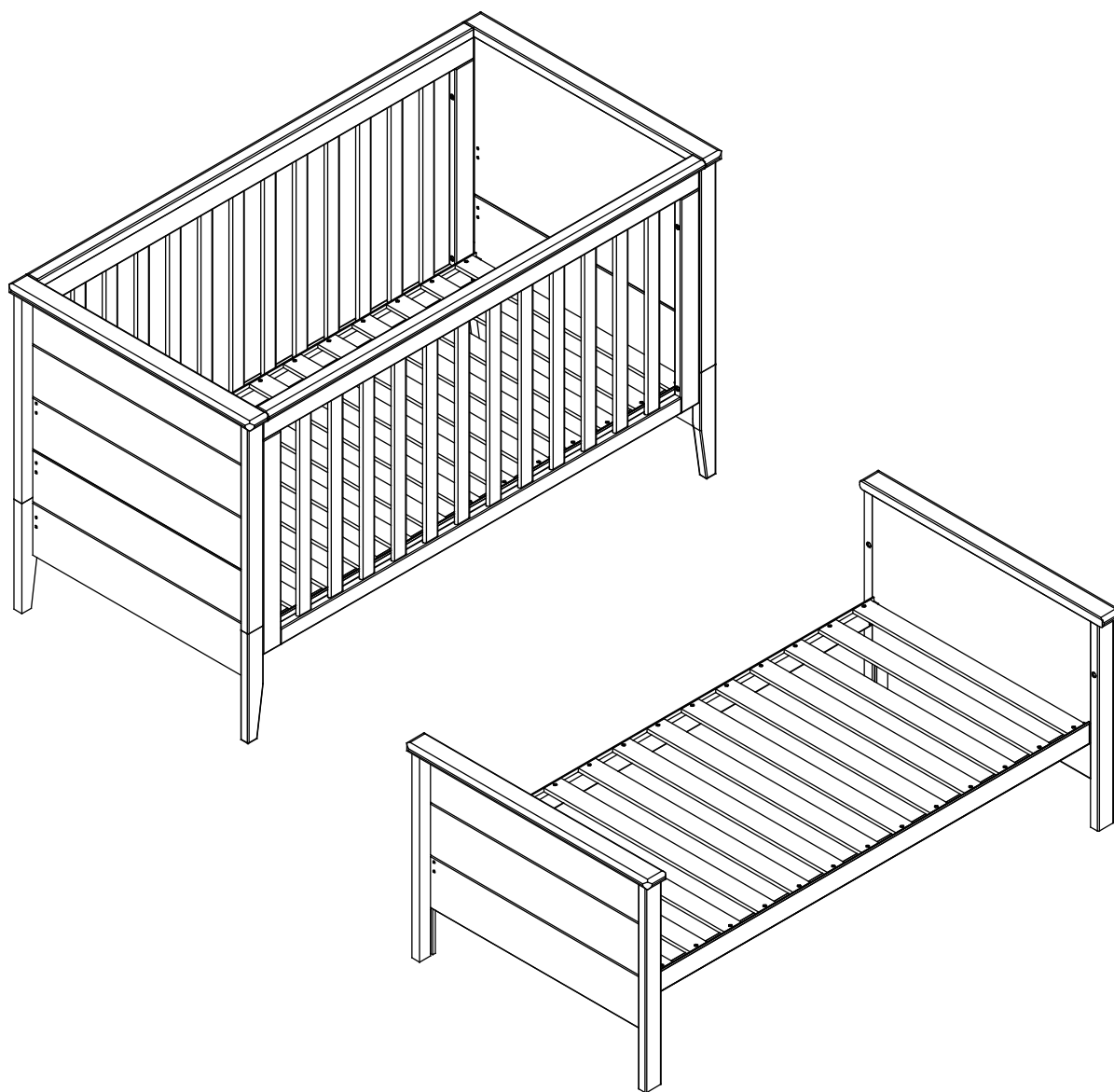




# CANTERBURY COT BED



## **IMPORTANT**

RETAIN THESE INSTRUCTIONS FOR FUTURE REFERENCE:  
READ CAREFULLY

## Cot Safety

This cot is suitable from birth up until the age the child can climb out of the cot.

### **WARNING!**

- Be aware of the risk of open fire and other sources of strong heat, such as electric bar fires, gas fires, etc. in the near vicinity of the cot.
- Do not use the cot if any part is broken, torn, or missing and use only spare parts approved by the manufacturer.
- Do not leave anything in the cot, or place the cot close to another product, which could provide a foothold, or present a danger of suffocation or strangulation e.g. strings, blind/curtain cords, fairy lights.
- Do not fix any hooks to hang things inside the cot, or within arm's reach of the child on the outside of the cot, or the walls around the cot.
- Do not use more than one mattress in the cot and the mattress must never go higher than the mattress line marked on the cot.
- The thickness of the mattress shall be such that the internal height (surface of the mattress to the upper edge of the cot frame) is at least 50 cm in the lowest position of the cot base and at least 20 cm in the highest position of the cot base.
- The lowest bed base position is the safest, so as soon as the baby is old enough to sit up the base should always be used in the lowest position.
- This cot requires a mattress 140cm long and 70cm wide, and up to 10cm thickness. View our selection of mattresses in our catalogue or online.
- The minimum size of the mattress to be used with the cot is 137 cm long and 67 cm wide. The gap between the mattress and the sides/ends of the cot should not be any bigger than 3 cm in any position of the mattress.
- All assembly fittings should always be tightened properly, checked regularly and retightened as necessary.
- To prevent injury from falls, when the child is able to climb out of the cot, the cot shall no longer be used for that child.

This product complies with BS EN 716-1:2017+AC:2019

## **IMPORTANT! KEEP FOR FUTURE REFERENCE**

### **Cot Bed Safety**

This cot bed is suitable for children 18 months to 4 years old.

### **WARNING!**

- Do not place this cot bed near heat sources, windows, and other furniture.

- Children are likely to play, bounce, jump and climb on beds, therefore this cot bed should not be placed too close to other furniture, windows, blind cords, curtain pulls, fairy lights, or other strings, or cords.
- Children can become trapped between the bed and the wall. To avoid risk of serious injury the bed must be tight up against the wall, OR more than 30 cm away from the wall.
- This cot requires a mattress 140cm long and 70cm wide, and up to 10cm thickness. View our selection of mattresses in our catalogue or online.
- Do not use this cot bed if any part is broken, torn or missing.
- All assembly fittings should always be tightened properly, checked regularly and retightened as necessary.
- This cot bed is designed to be dismantled for storage, or transportation, but please do not remove the slats from the bed base.
- Additional, or replacement parts should be obtained from Argos.

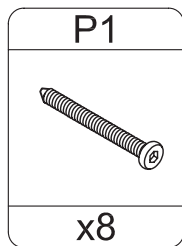
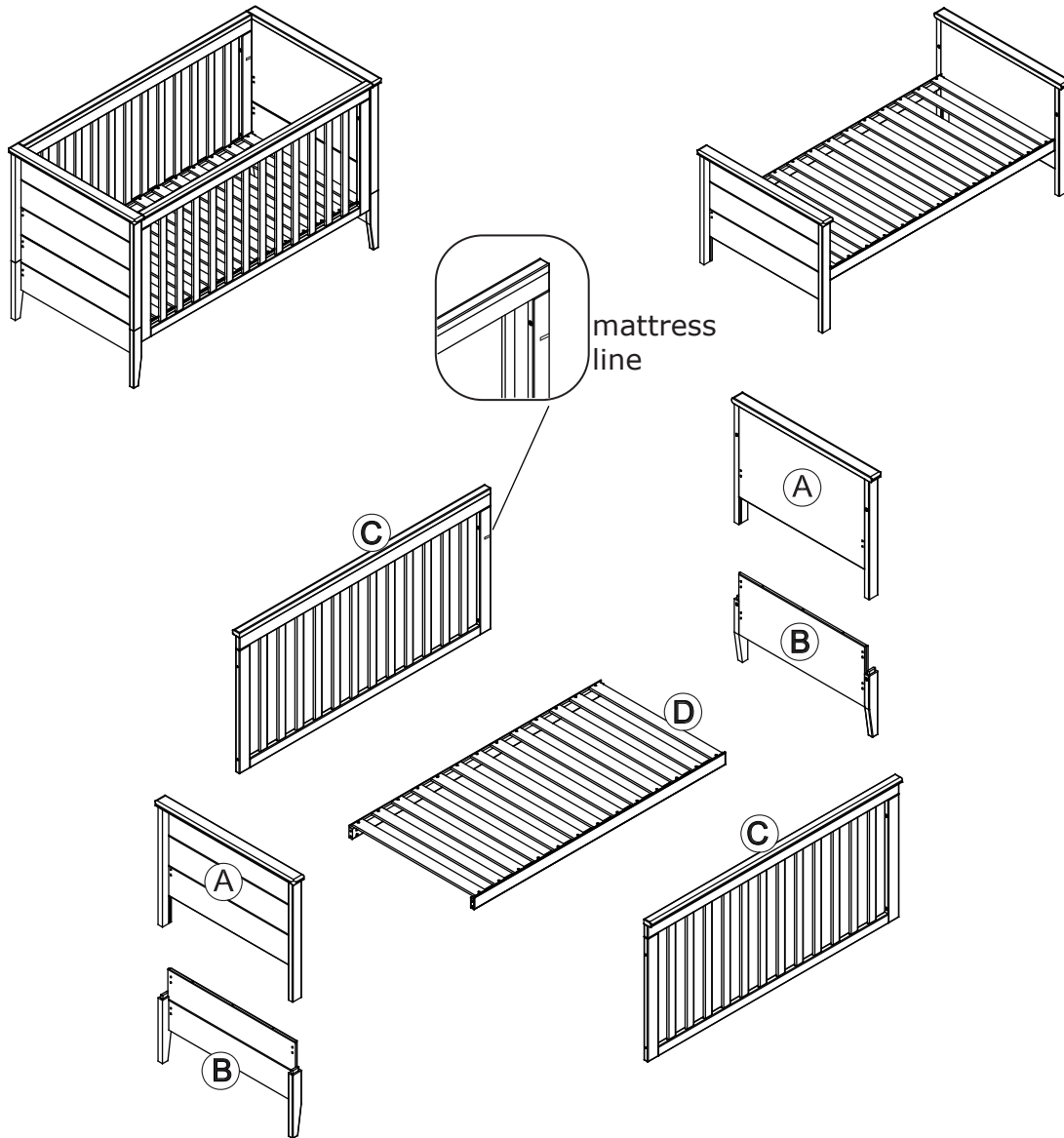
This product complies with BS 8509:2008 +A1:2011

## **CARE & MAINTENANCE**

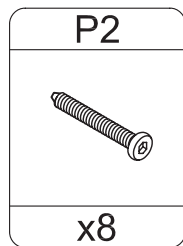
- Your cot/bed can be cleaned by wiping with a damp cloth and drying with a soft clean cloth.
- Do not use abrasives, bleach, alcohol, or ammonia based household cleaners.
- Take care when handling or moving. Careless handling can damage wooden furniture.
- Wood is a natural material, the colour will darken with age.

**Important!**

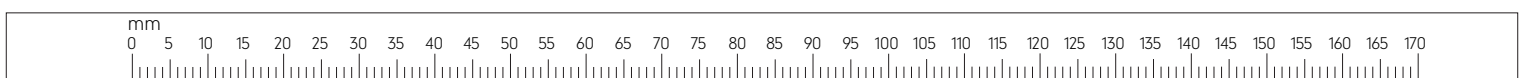
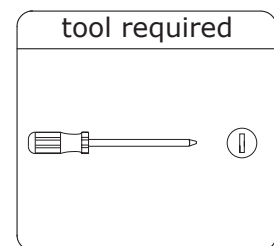
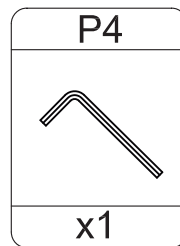
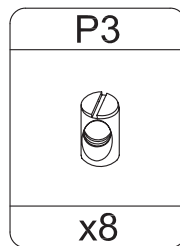
Assemble on a soft level surface to avoid damaging the unit or your floor  
 Parts of the assembly will be easier with 2 people



P1=70mm

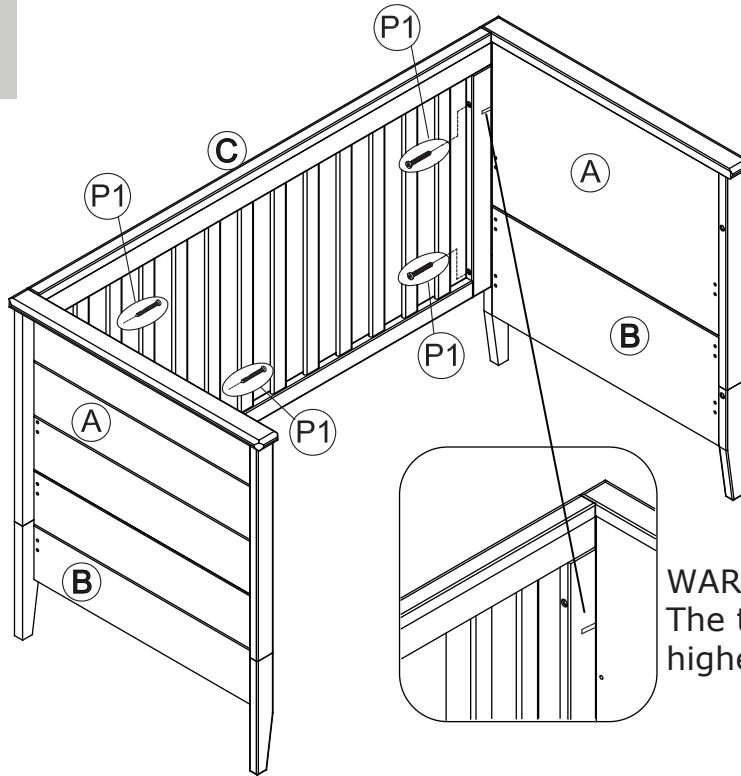


P2=50mm



1

P1.  
  
 x4

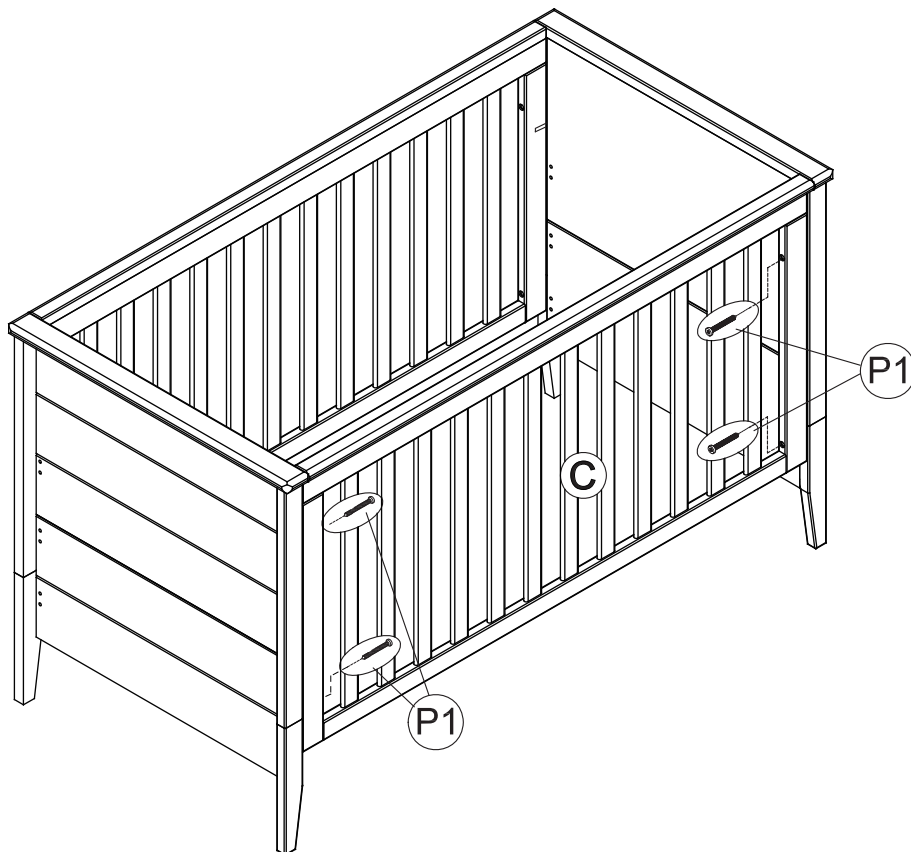


**WARNING!**  
 The top of the mattress must never go higher than this line.

This step will be easier with 2 people

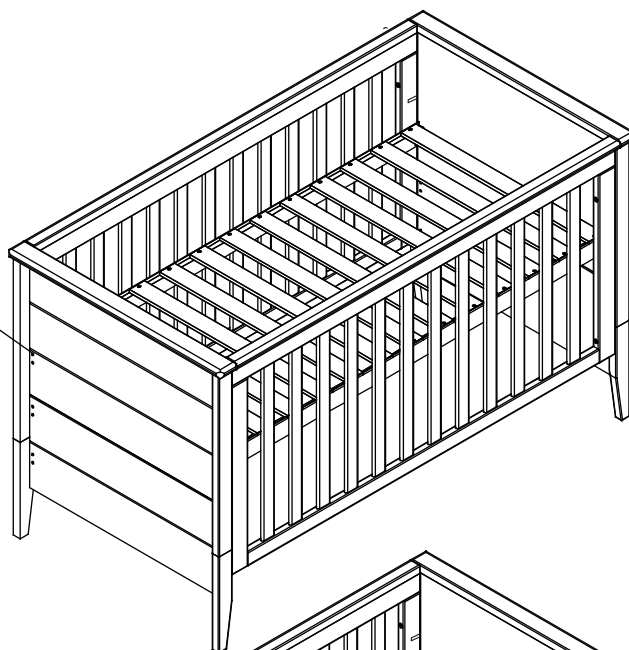
2

P1.  
  
 x4

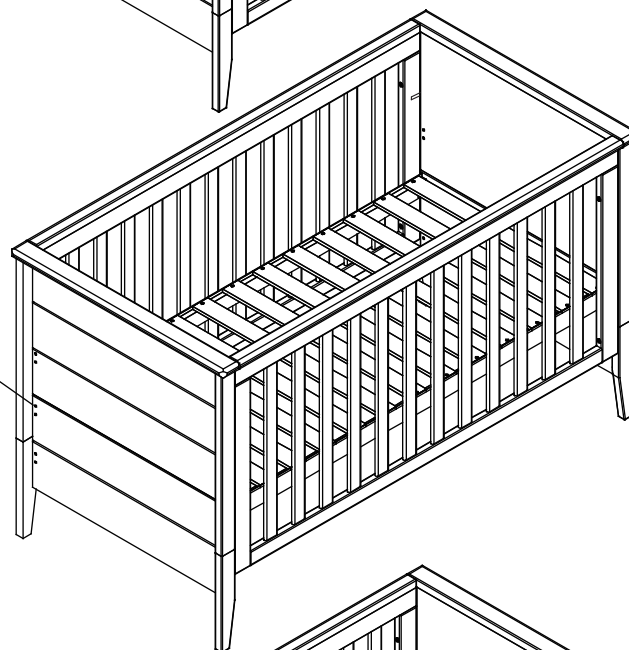


3 Bed base positions

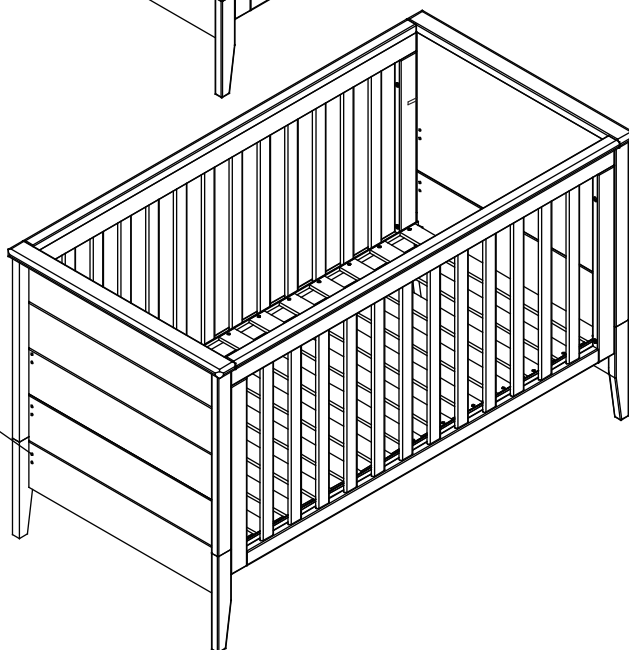
Highest position



Middle position



Lowest position



4

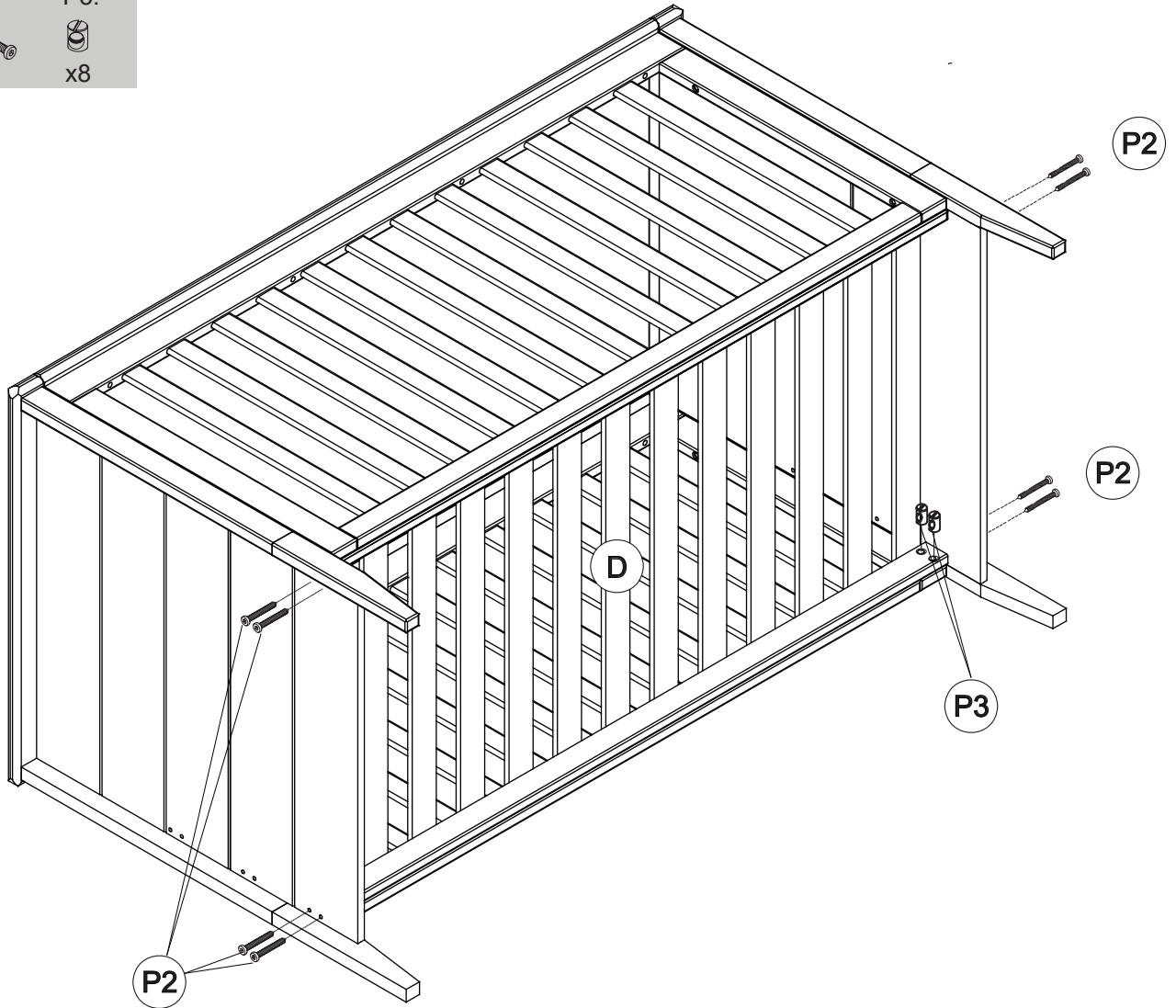
P2.

P3.



x8

x8

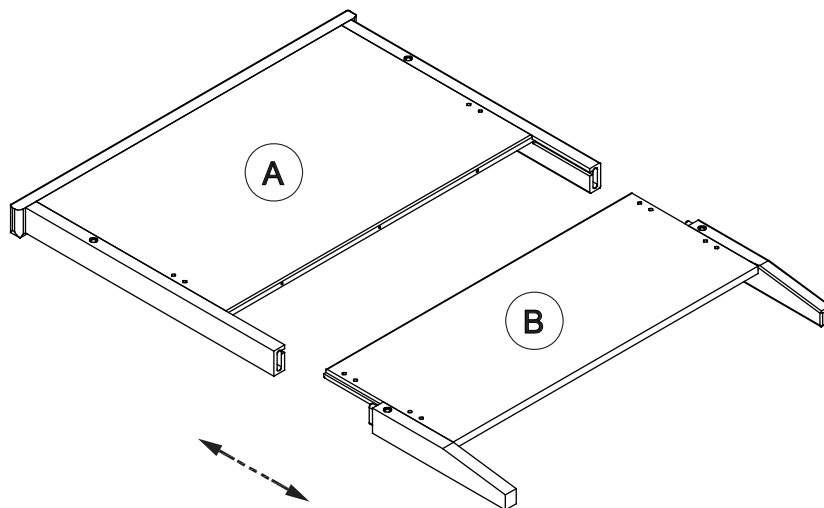


5



1

To build the cot bed:



2

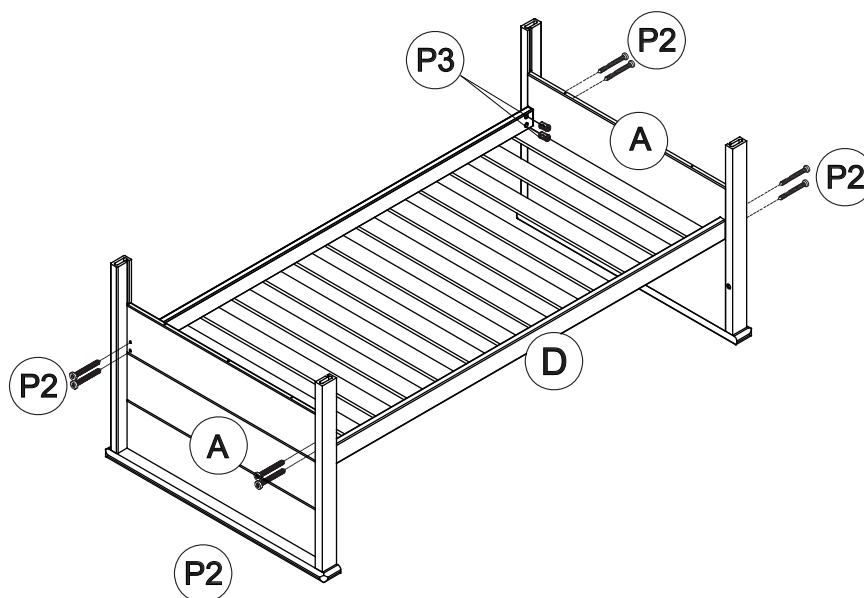
P2.

P3.

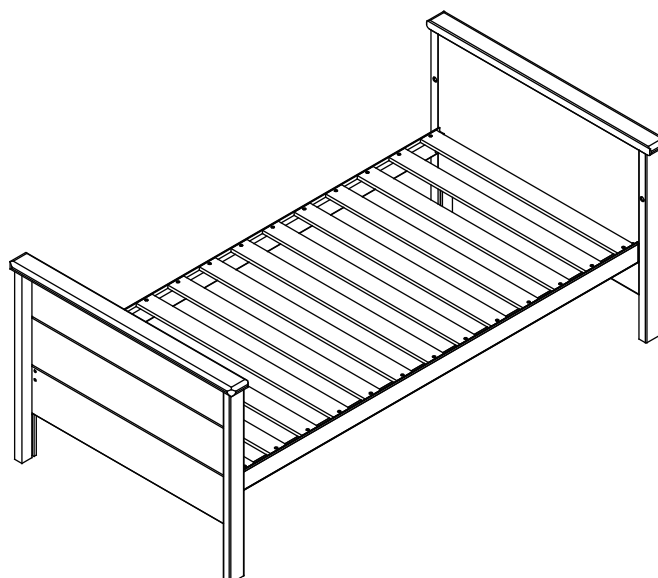


x8

x8







Product title	CANTERBURY COT BED
Argos Cat. No.	5799725
Supplier Ref. No.	VIMOON01
Age suitability	Cot: suitable from birth Toddler bed: suitable from 18 months to 4 years
Designed to comply with	BS EN716-1:2017+AC:2019(cot)
	BS 8509:2008+A1:2011(cot bed)
Product weight	27kg
Dimensions(H*W*D)	W1520x D780 x H900mm

If you encounter any problems with this product please call our customer care team on 0345 640 2020

Produced in China for Argos Limited, 489-499 Avebury Boulevard Central Milton Keynes MK9 2NW. UK.