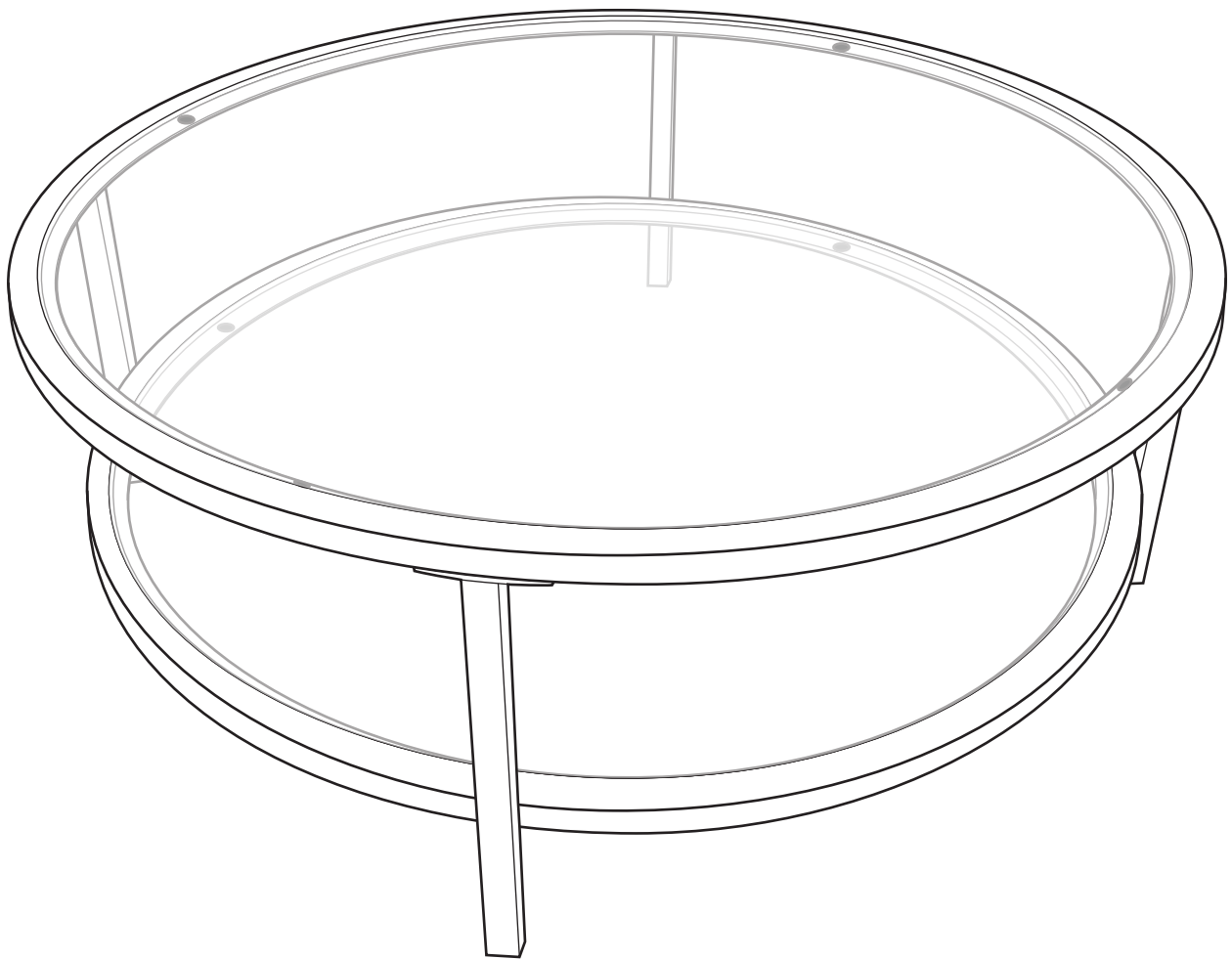


# Boutique Glass Coffee Table

habitat 



## Spare Parts

 [www.argos-support.co.uk](http://www.argos-support.co.uk)

 [Help@ClickSpares.co.uk](mailto:Help@ClickSpares.co.uk)

 0370 112 1928

## Customer Support

 0345 640 2020



# Safety and Care Advice

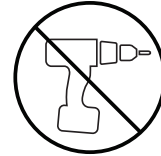
---

## Product Details

HAB Boutique Glass Coffee Table Black – 3248278  
HAB Boutique Glass Coffee Table Silver – 2201649

## IMPORTANT, RETAIN FOR FUTURE REFERENCE: READ CAREFULLY.

- Keep children and animals away from the work area, small parts could choke if swallowed.
- Assemble the item as close to its final position (in the same room) as possible.
- Assemble on a soft level surface to avoid damaging the unit or your floor.
- We do not recommend the use of power drill/drivers for inserting screws as this could damage the unit. Only use hand screwdrivers.
- Parts of the assembly will be easier with 2 people.
- Dispose of all packaging carefully and responsibly.



## Care and maintenance

---

- Only clean using a damp cloth and mild detergent. Do not use abrasive cleaners.
- From time to time check that there are no loose screws, nuts or bolts. If there are please re-tighten.
- This product should not be discarded with household waste. Take to your local authority waste disposal centre.
- Use a dry cloth to clean the product, furniture polish is not recommended.

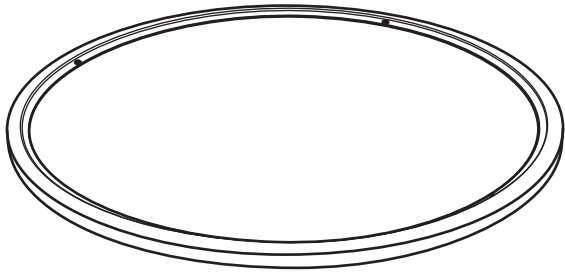
## Additional Guidance

---

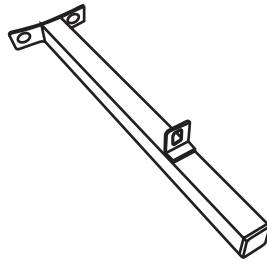
- Assemble all parts and bolts loosely during assembly, only once the product is complete should you fully tighten the bolts.
- Regularly check and ensure that all bolts and fittings are tightened properly.
- This product is compliant BS EN 12521:2015

# Parts

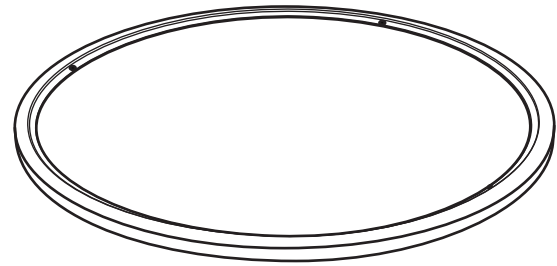
---



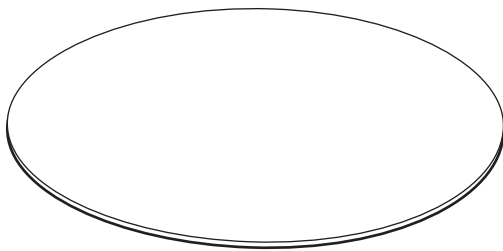
1 Top frame



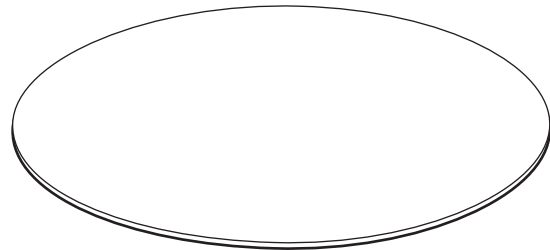
2 Leg (x4)



3 Bottom frame



4 Bottom glass

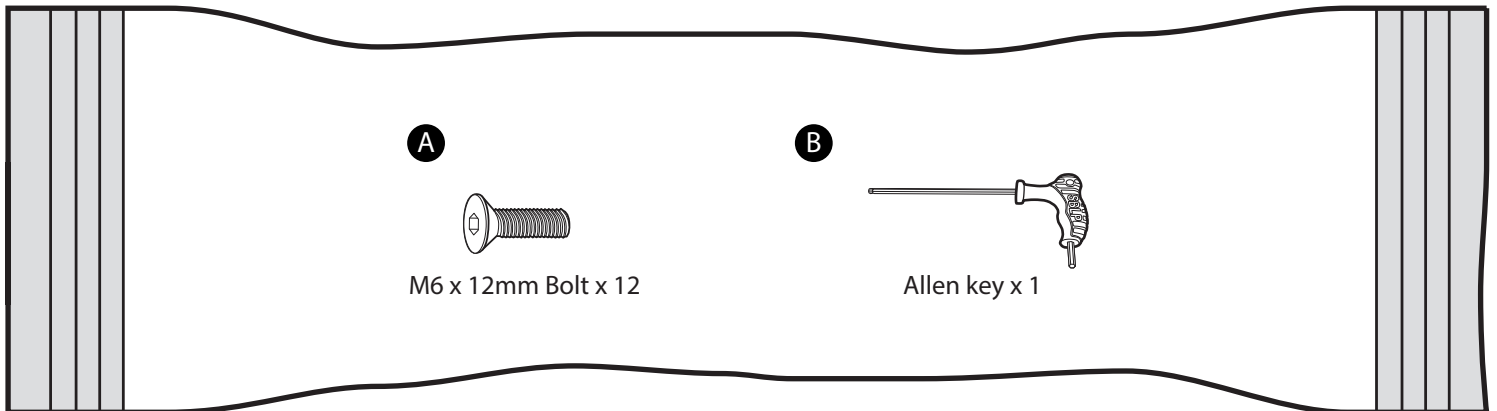


5 Top glass

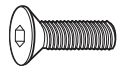
# Fittings (Shown to scale)

---

## Bag 1

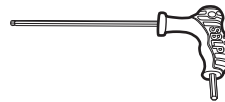


A



M6 x 12mm Bolt x 12

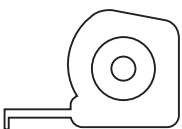
B



Allen key x 1

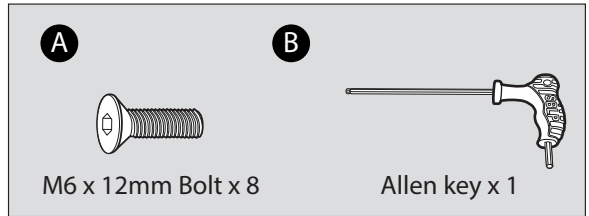
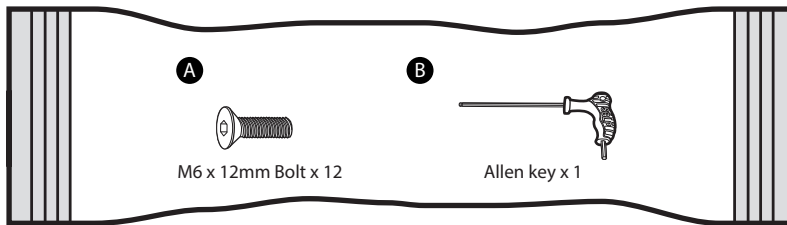
# Tools required

---



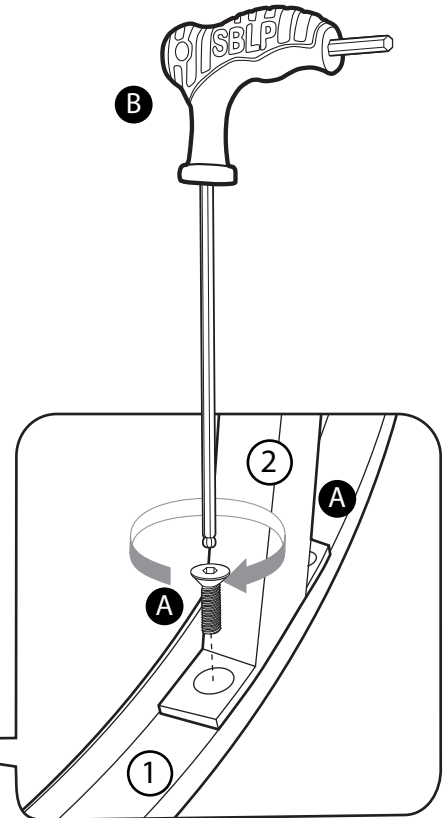
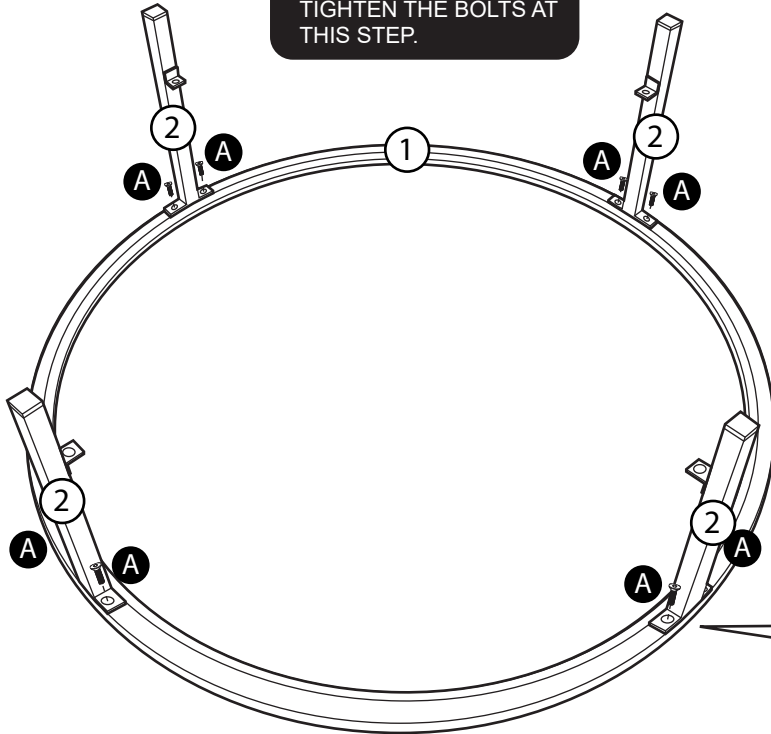
Ruler/tape  
measure

# 1

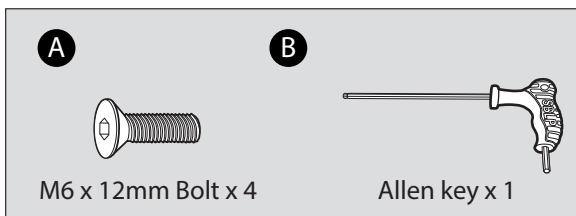


## WARNING!

PLEASE DO NOT FULLY TIGHTEN THE BOLTS AT THIS STEP.

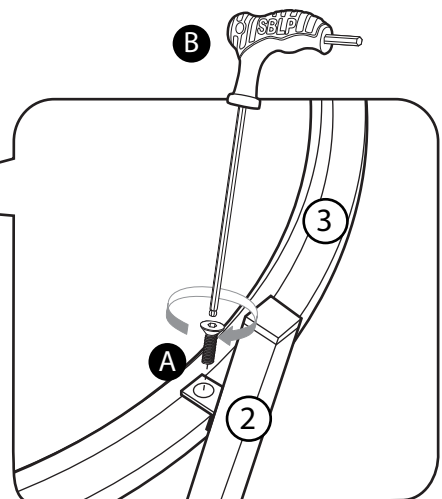
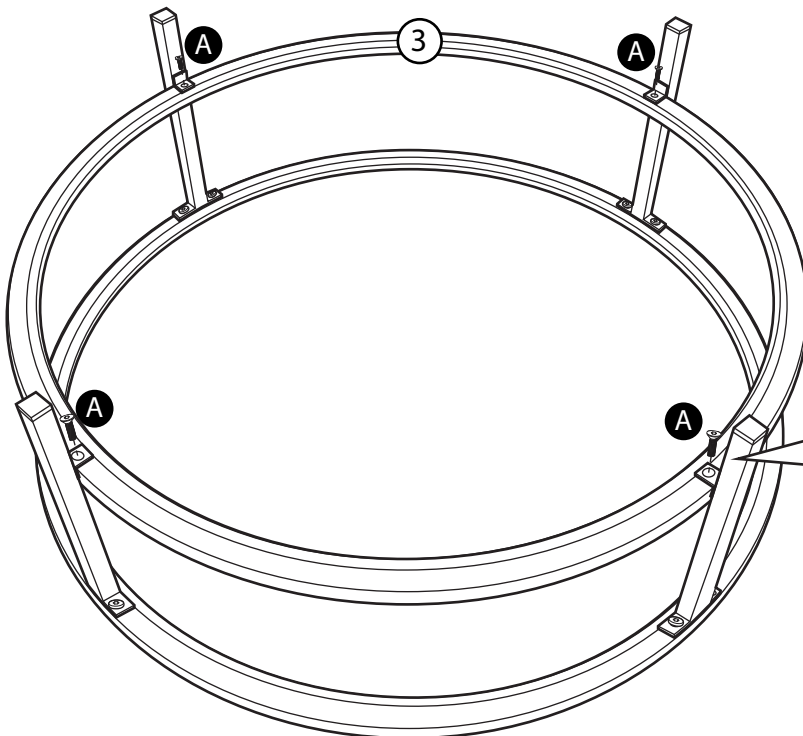


# 2



## WARNING!

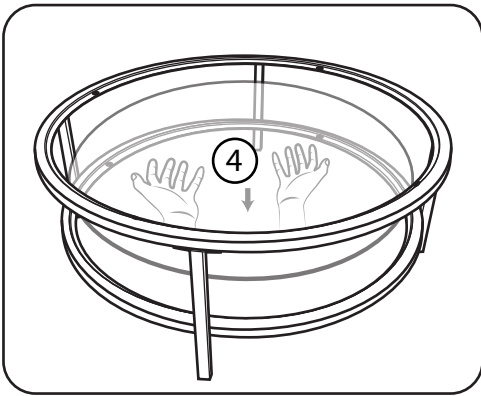
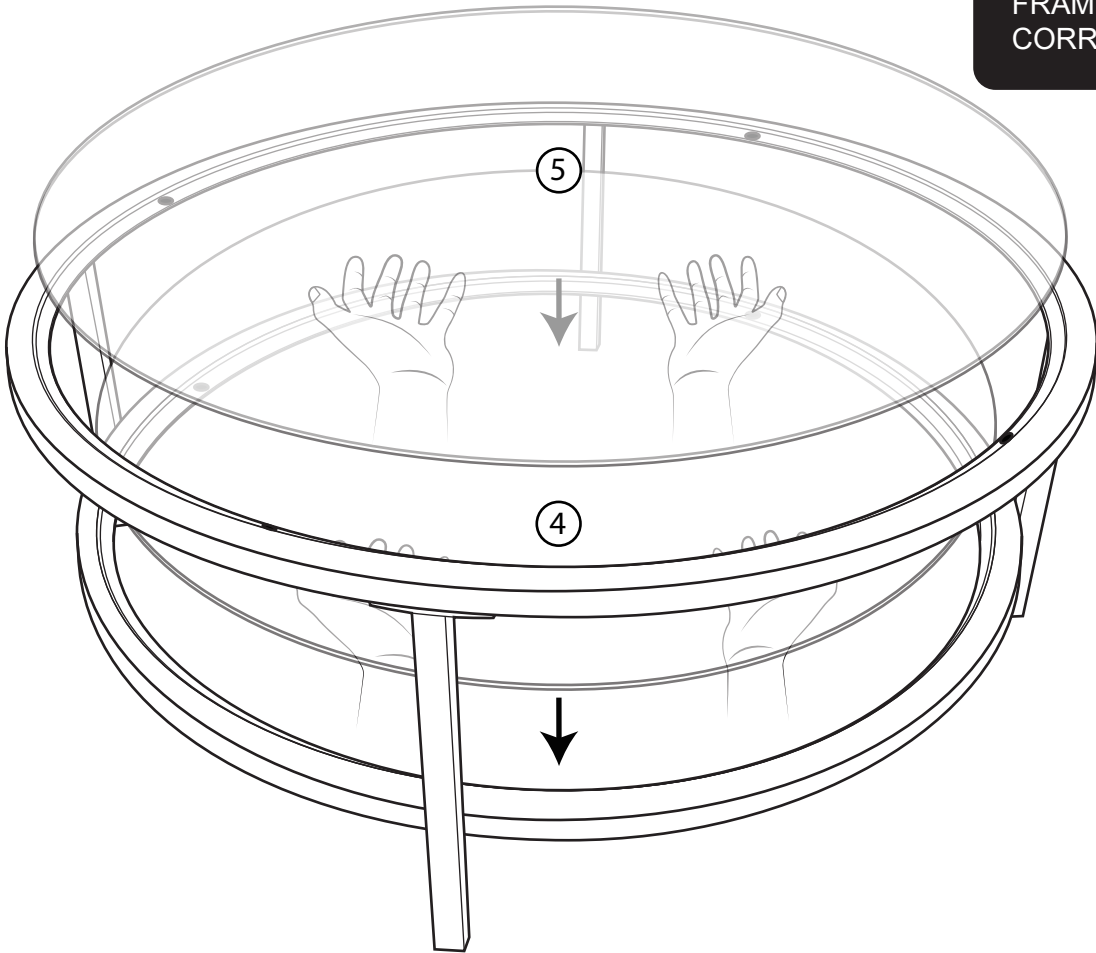
PLEASE FULLY TIGHTEN ALL BOLT AT THIS STEP.



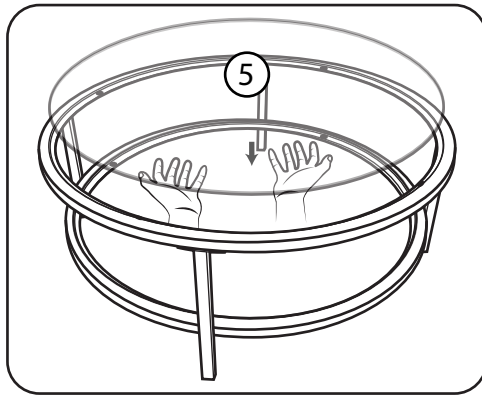
# 3

 Turn Product

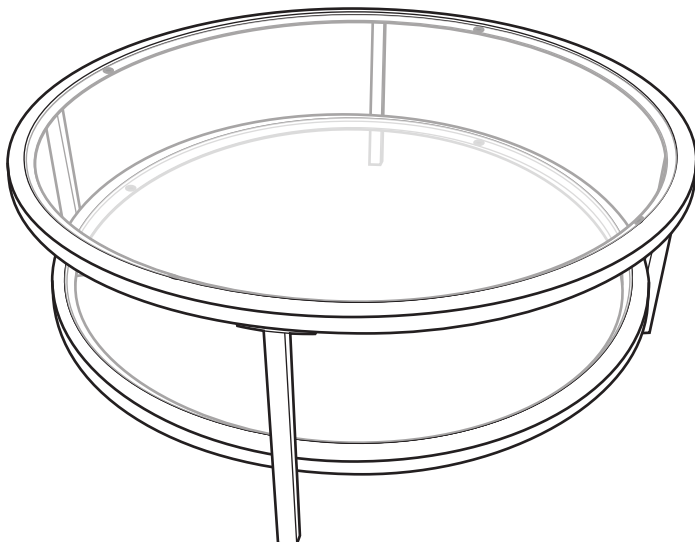
**WARNING!**  
PLACE THE GLASS TOP CAREFULLY INTO THE FRAME AND ADJUST TO CORRECT POSITION.



1



2



**Assembly complete.**