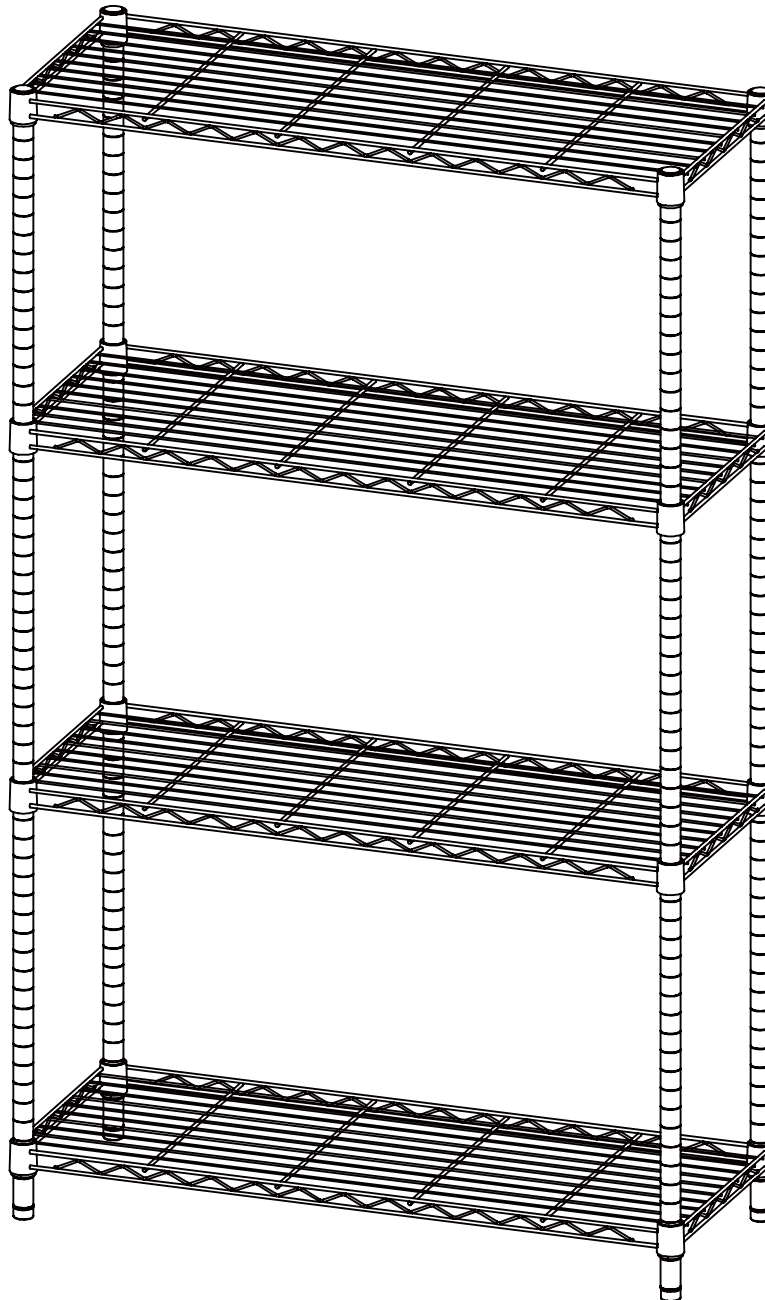


Heavy Duty 4 Tier Metal Shelf Unit

Assembly Instructions - Please keep for future reference

612/841

217/9276



Dimensions

Width - 91.5cm
Depth - 36cm
Height - 152cm

Important – Please read these instructions fully before starting assembly

If you need help or have damaged or missing parts, call the **Customer Helpline:** **Argos=08456 400800**
Homebase=03450 778888

Issue 1 - 04/09/14



Safety and Care Advice

Important - Please read these instructions fully before starting assembly

- Check you have all the components and tools listed on the following pages.
- Remove all fittings from the plastic bags and separate them into their groups.
- Keep children and animals away from the work area, small parts could choke if swallowed.
- Make sure you have enough space to layout the parts before starting.

- During assembly do not stand or put weight on the product, this could cause damage.
- Assemble the item as close to its final position (in the same room) as possible.
- Assemble on a soft level surface to avoid damaging the unit or your floor.
- Parts of the assembly will be easier with 2 people.



- To reduce the likelihood of damaging your product please ensure that your power drill is set on a low torque setting.

Care and maintenance

- Only clean using a damp cloth and mild detergent, do not use bleach or abrasive cleaners.
- From time to time check that there are no loose screws on this 4-tier shelf.
- This product should not be discarded with household waste. Take to your local authority waste disposal centre.

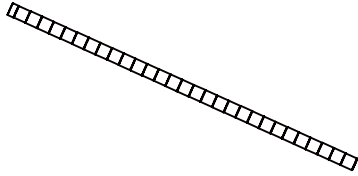
Handy Hints

- Regularly check and ensure that all bolts and fittings are tightend properly.

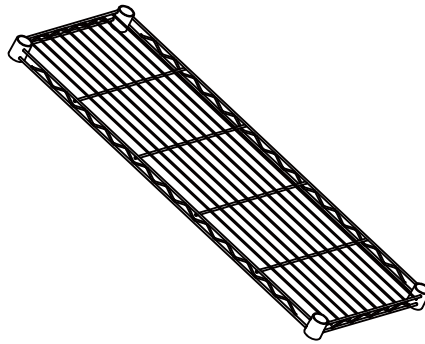
Components - Shelf

If you have damaged or missing components, call the **Customer Helpline:** Argos=08456 400800
Homebase=03450 778888

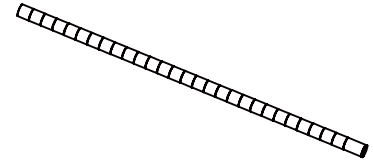
Please check you have all the fittings listed below



1 Lower metal leg X 4
(2.5x89cm)



2 Shelf X4 (35x90cm)

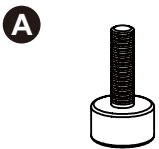


3 Upper metal leg X4
(2.5x61cm)

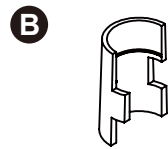
Components - Fittings

Please check you have all the fittings listed below

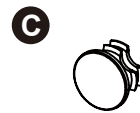
Note: The quantities below are the correct amount to complete the assembly. In some cases more fittings may be supplied than are required.



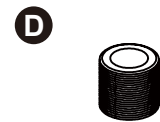
Feet x 4



Plastic locking caps x 32



Plastic stopper x 4



Connector x 4

Assembly Instructions

Step 1

Attaching plastic feet

Screw in feet **A** into lower metal leg **1** as shown in fig 1.

Repeat for other 3 lower metal legs

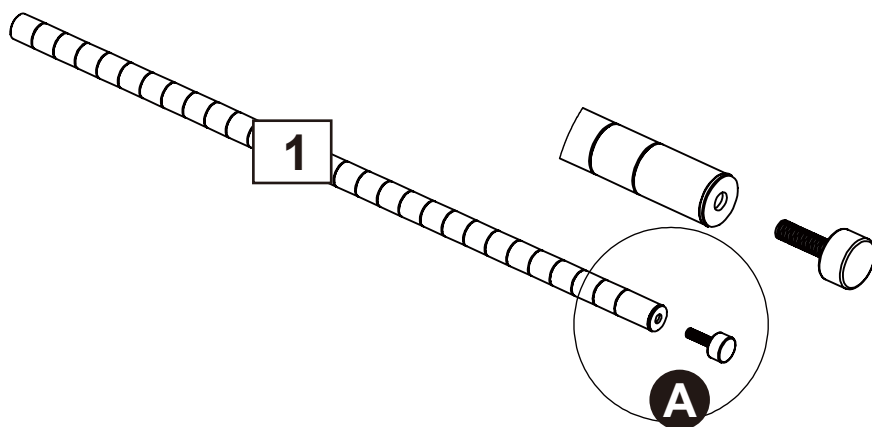


fig 1

Step 2

Attaching stopper

Insert plastic stopper **C** into upper metal leg **3**

Repeat for other 3 upper metal legs

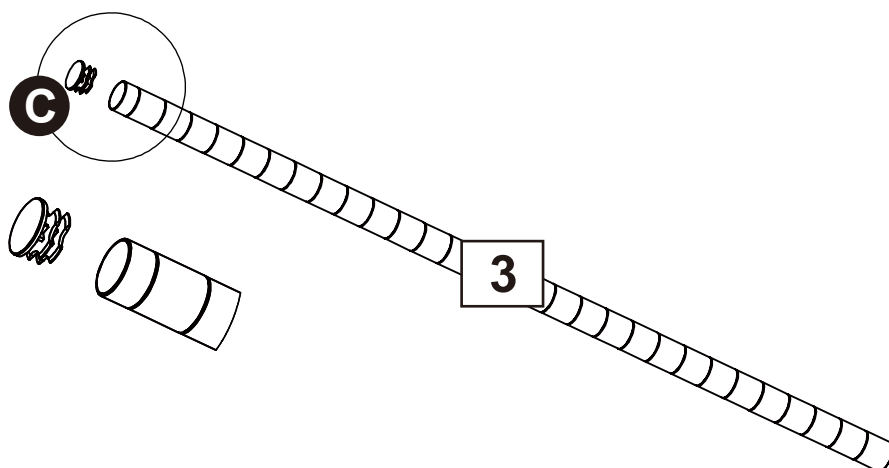


fig 2

Assembly Instructions

Step 3

Attaching shelf

Attach plastic caps **B** on to the lower metal leg **1** as shown in fig 3.

Slide down base shelf **2** until it locks over plastic caps **B**

Push shelf firm to secure.

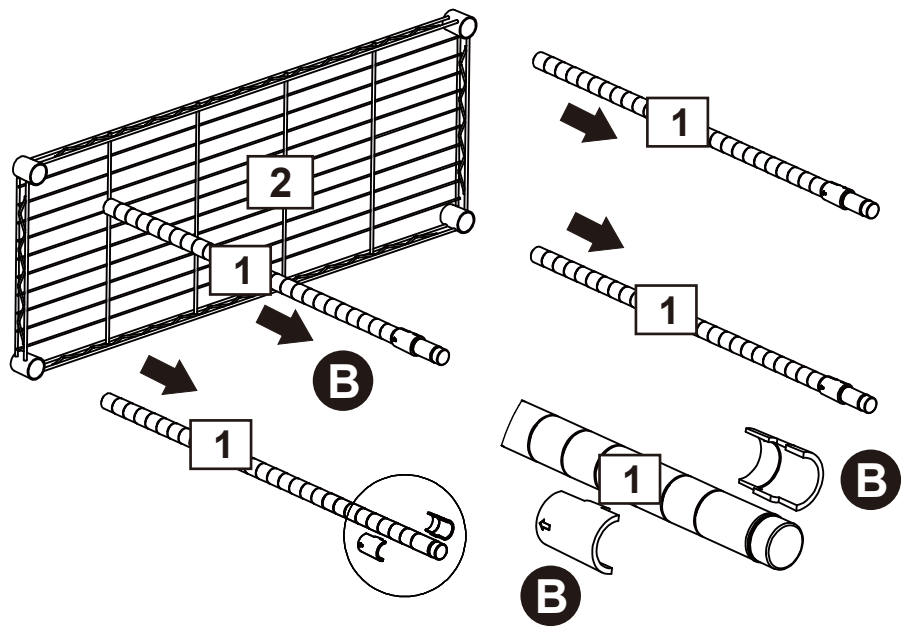


fig 3

Step 4

Attaching shelf

Measure position of mid shelf required by counting rings up from base shelf.

Connect **D** with **1** as shown in fig 4.

Fit plastic caps **B** as shown in fig 4

Ensure all caps are fitted to same height.

Slide down mid shelf **2** until it locks over plastic caps **B**

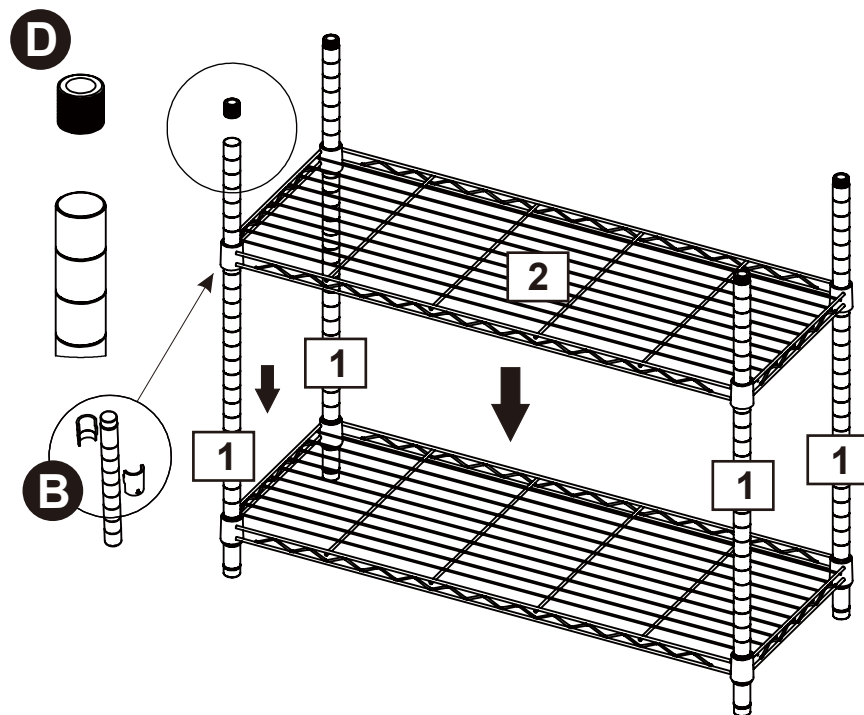


fig 4

Assembly Instructions

Step 5

Attaching upper metal leg

Screw upper metal leg **3** to the connector assembled in the lower metal leg **1** as shown in fig 5.

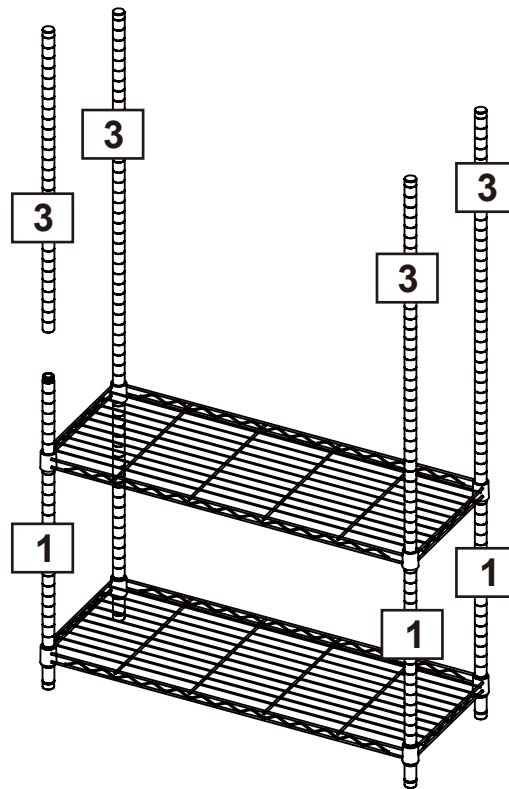


fig 5

Step 6

Attaching shelf

Attach plastic caps **B** to top ring of each leg **1**.

Fit top shelf and second top shelf **2** until they lock over plastic caps.

Push shelf firm to secure.

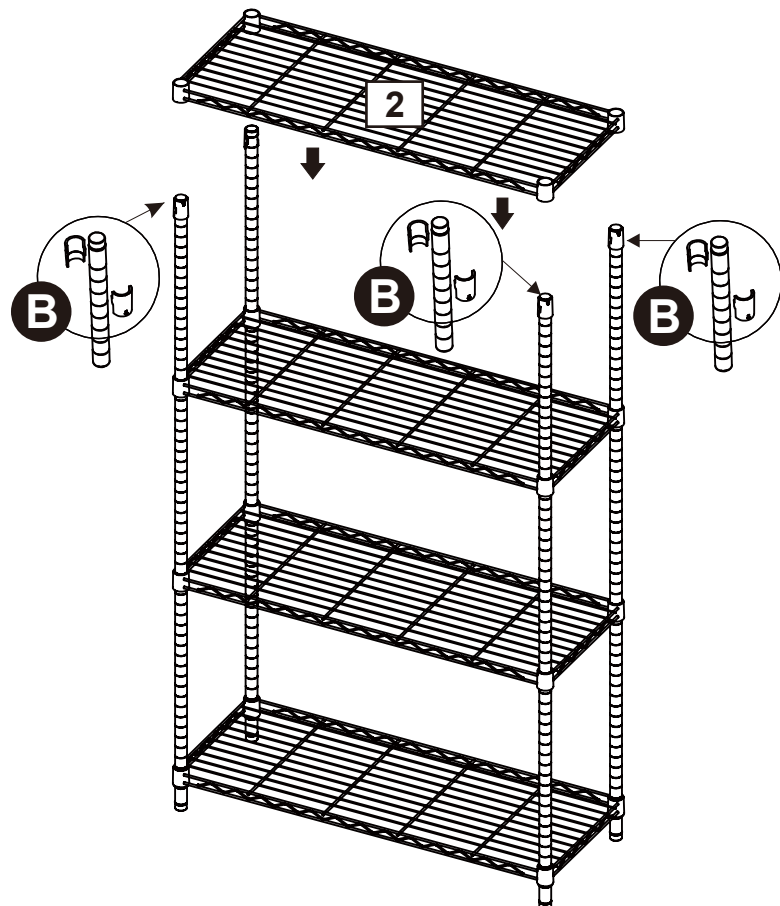


fig 6

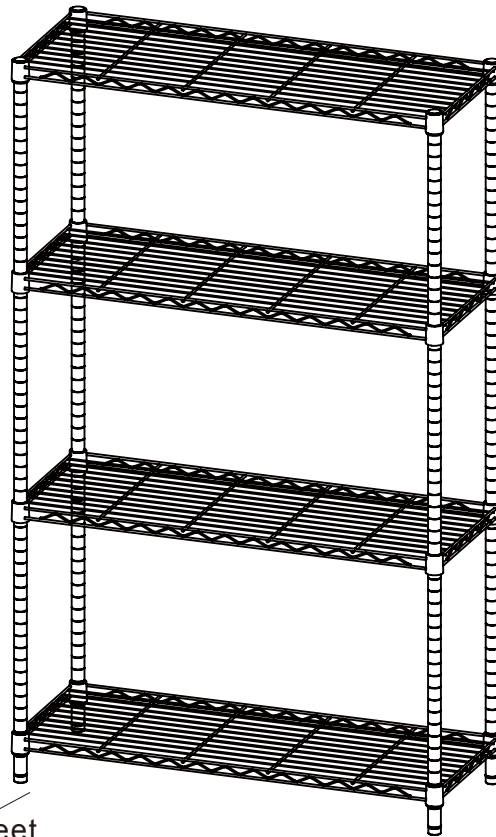
Assembly Instructions

Step 7

Storage rack now fully assembled.

Adjust feet for correct level.

Warning:
Maximum safe loading:
55kgs per shelf



Adjust feet
for correct level.

fig 7

If you need help or have damaged or missing parts, call the **Customer Helpline: Argos=08456 400800**
Homebase=03450 778888