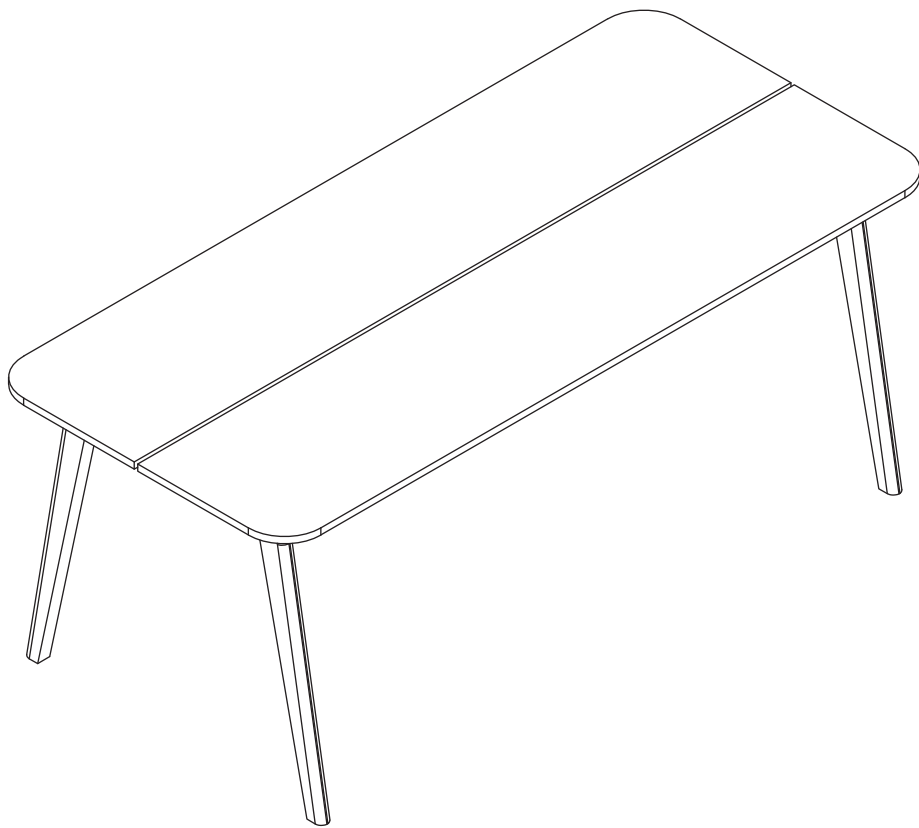


Nel

habitat



Spare Parts

 www.argos-support.co.uk

 Help@ClickSpares.co.uk

 0370 112 1928

Customer Support

 0345 640 2020



Safety and Care Advice

Product Details

NEL TABLE 2151885 BLACK
NEL TABLE 4543714 OAK

IMPORTANT, RETAIN FOR FUTURE REFERENCE: READ CAREFULLY.

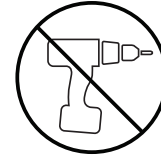
- Keep children and animals away from the work area, small parts could choke if swallowed.

- Make sure you have enough space to layout the parts before starting.

- This product has been constructed to be used in the domestic environment only and not for commercial purposes.

- Assemble the item as close to its final position (in the same room) as possible.

- Assemble on a soft level surface to avoid damaging the unit or your floor.



- We do not recommend the use of power drill/drivers for inserting screws as this could damage the unit. Only use hand screwdrivers.

- Parts of the assembly will be easier with 2 people.

- Dispose of all packaging carefully and responsibly.

Care and maintenance

- Only clean using a damp cloth and mild detergent. Do not use abrasive cleaners.

- Use a dry cloth to clean the product, furniture polish is not recommended.

- From time to time check that there are no loose screws, nuts or bolts. If there are please re-tighten.

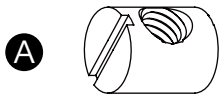
- This product should not be discarded with household waste. Take to your local authority waste disposal centre.

Additional Guidance

- Assemble all parts and bolts loosely during assembly, only once the product is complete should you fully tighten the bolts.
- Regularly check and ensure that all bolts and fittings are tightened properly.
- This product is compliant EN12521.
- Maximum loading weight 100kg.
- Any additional or replacement parts are obtained from the manufacturer.

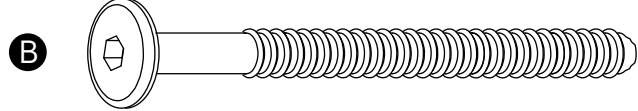
Fittings (Shown to scale)

Bag 1



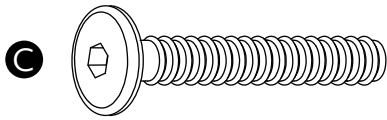
A

Ø10*15mm Nut x 8



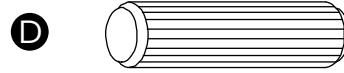
B

M6*70mm Bolt x 8



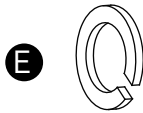
C

M6*50mm Bolt x 16



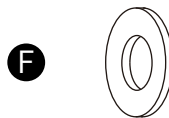
D

Ø8*30mm Bolt x 8



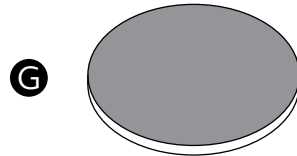
E

Spring Washer x 24



F

Flat Washer x 24

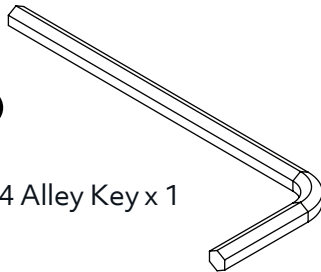


G

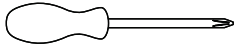
Ø30mm Foot Pad x 4

H

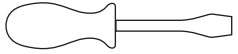
M4 Alley Key x 1



Tools required

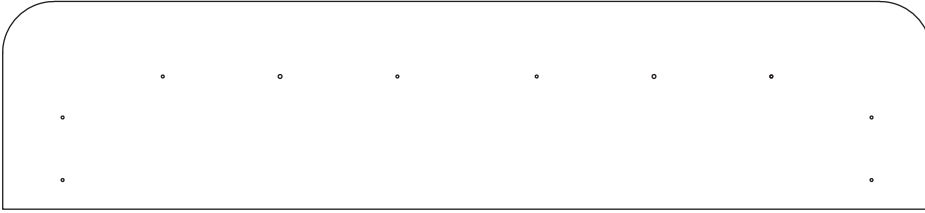


Phillips screwdriver
(small & medium)



Phillips screwdriver
(small & medium)

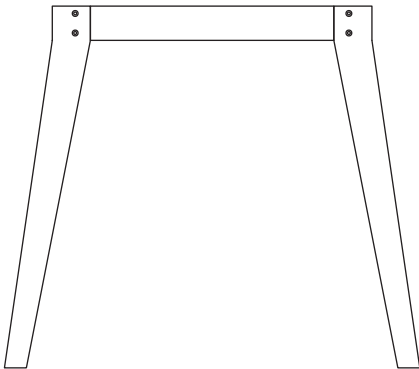
Panels



1 Top Panel x2
(1900 x 424mm)

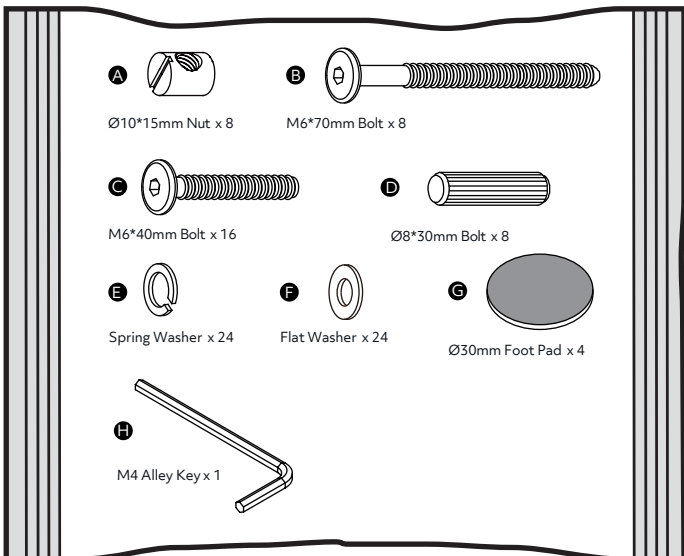
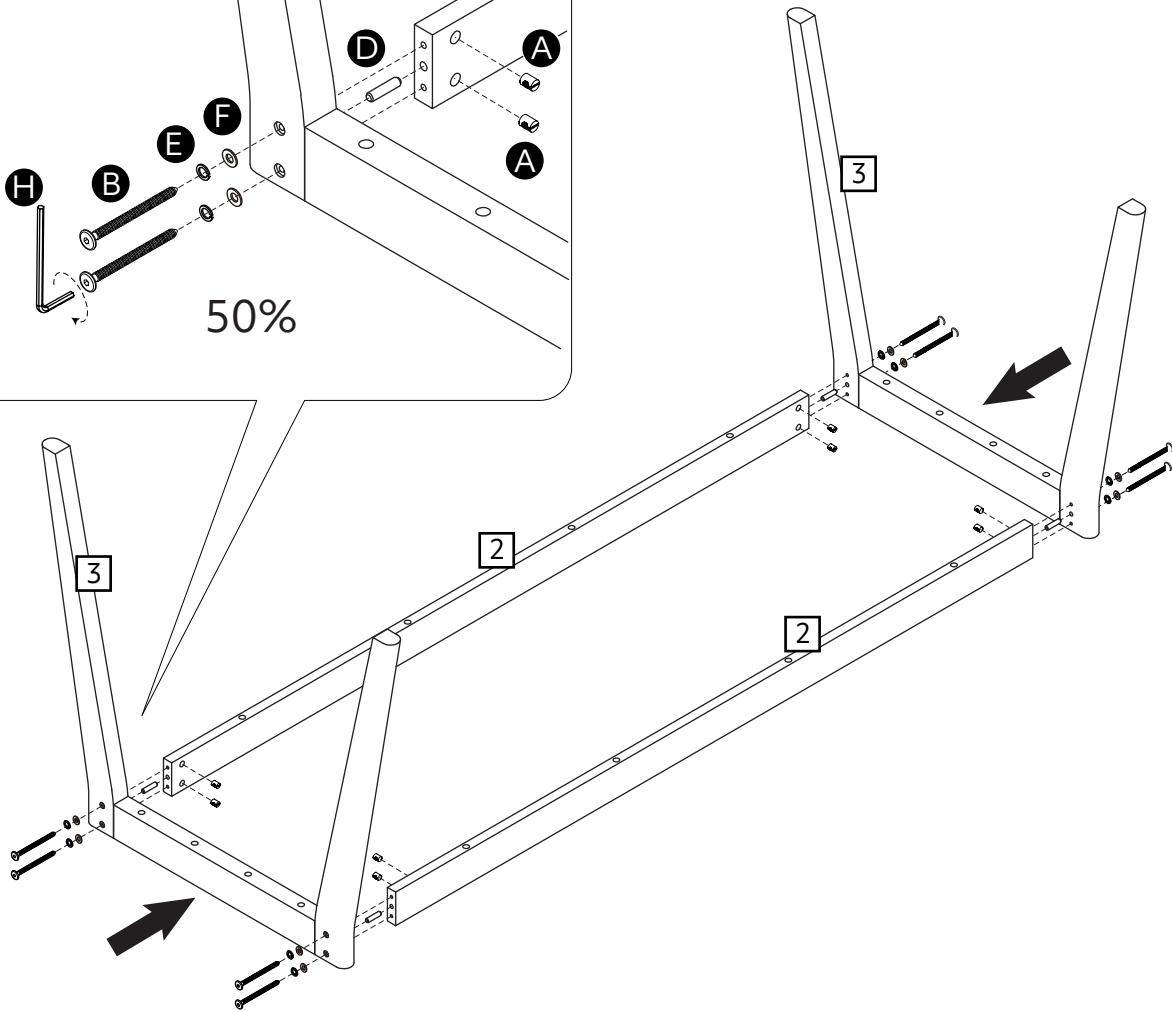
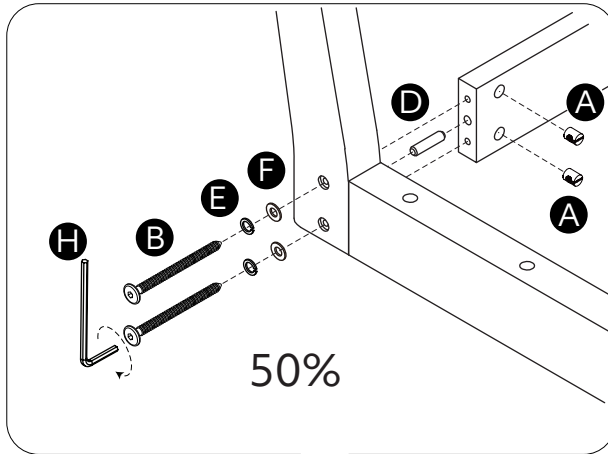
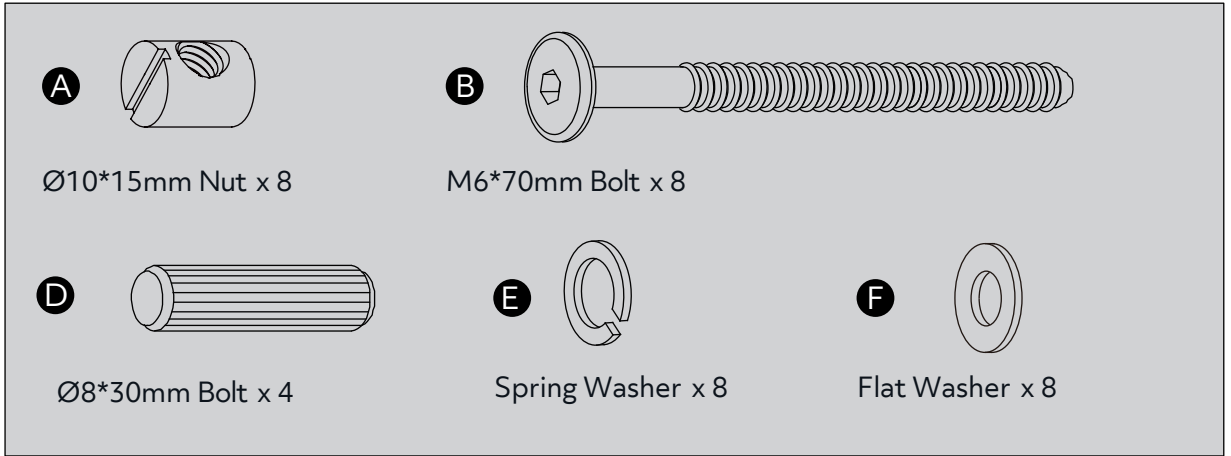


2 Support Rail x2
(1620 x 70mm)



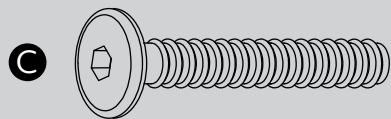
3 Side Leg x 2
(850 x 732mm)

1

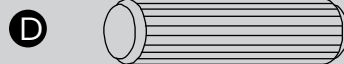


Warning!
Please do not fully tighten the bolts in this step.

2



M6*50mm Bolt x 16



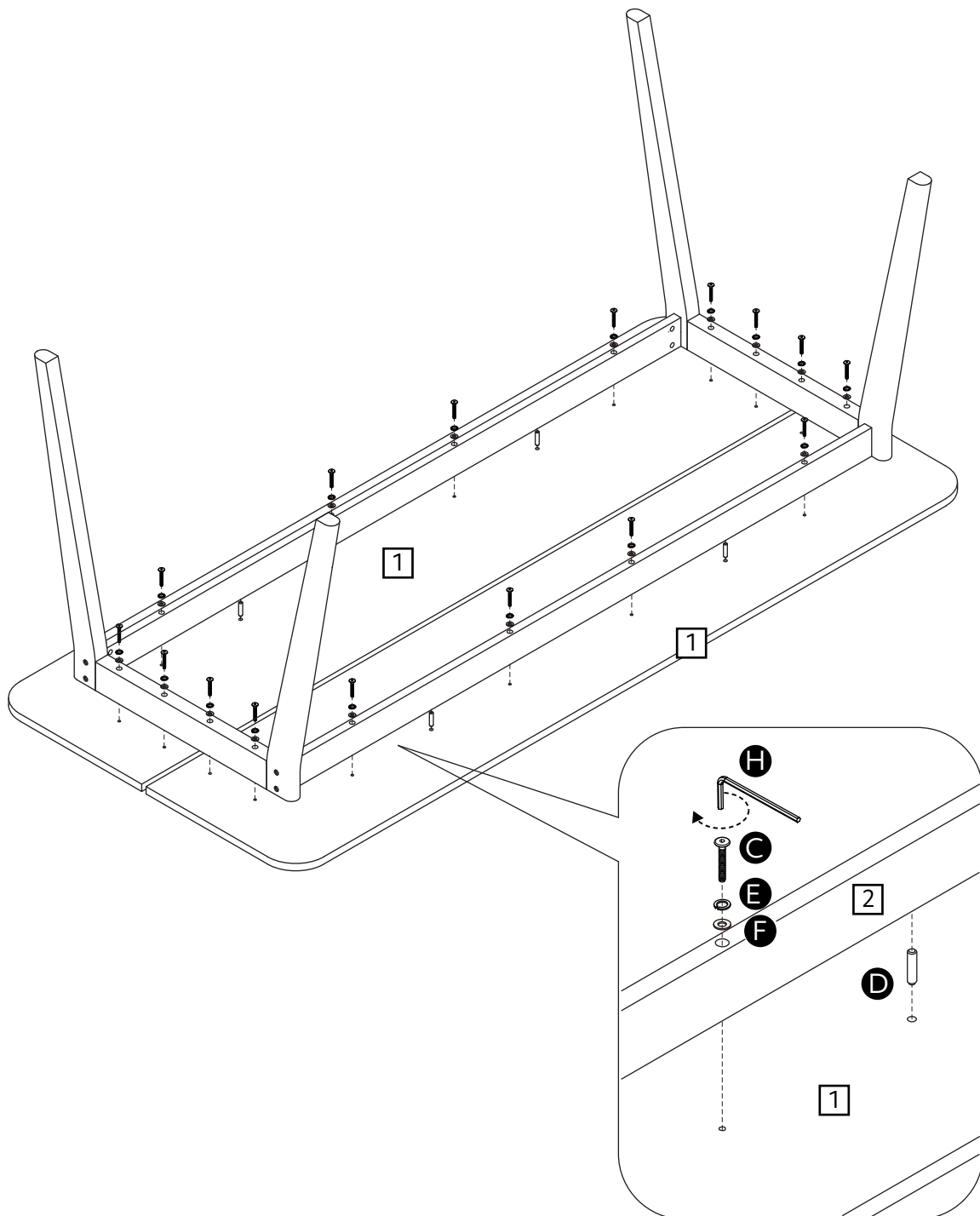
Ø8*30mm Bolt x 4



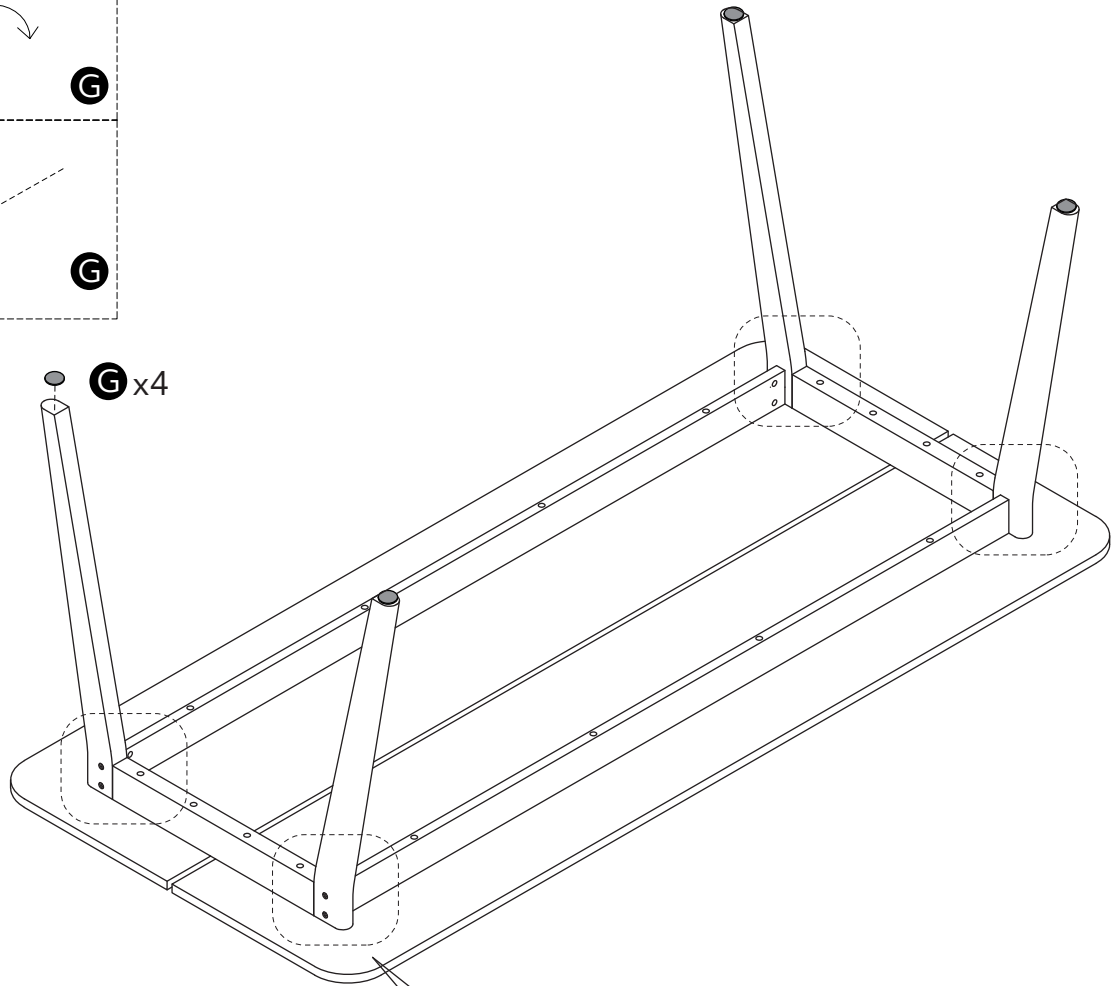
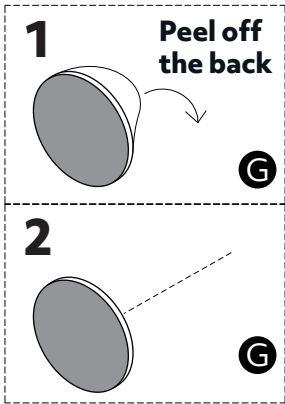
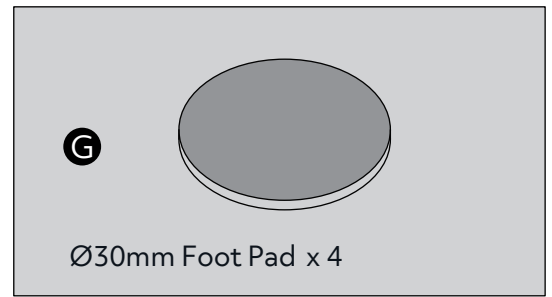
Spring Washer x 16



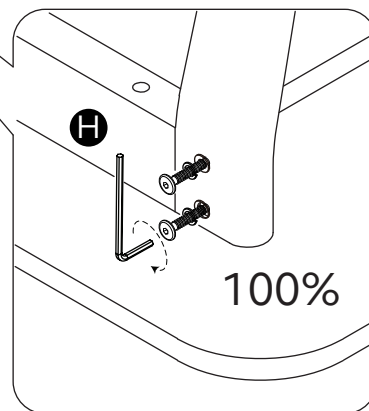
Flat Washer x 16



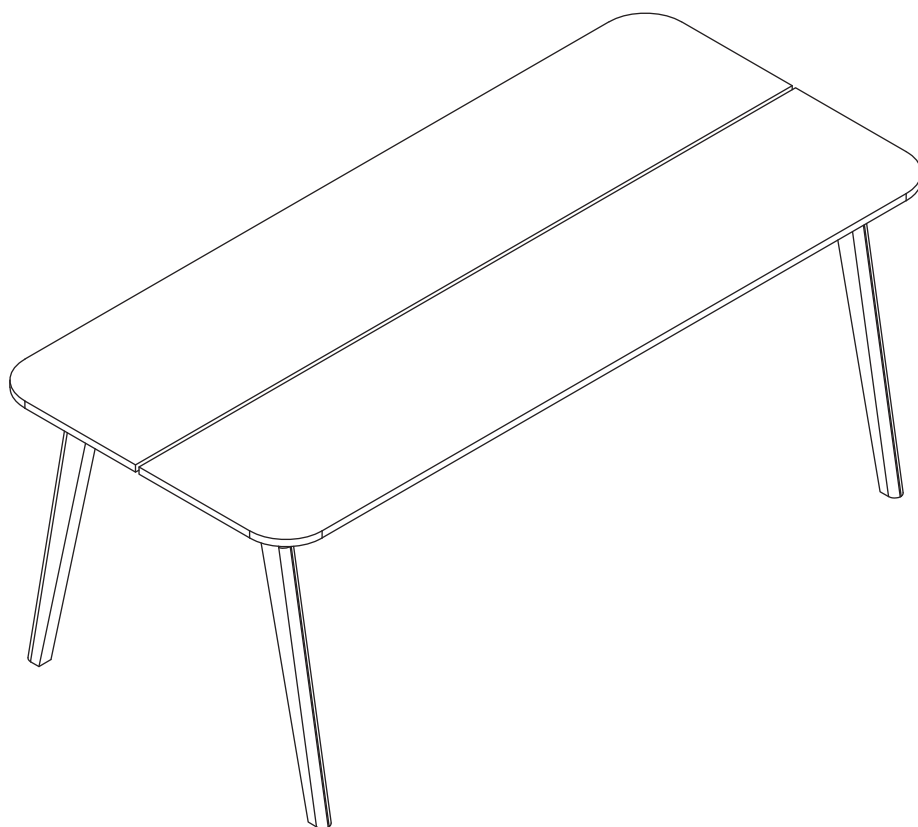
3



Fully tighten all the bolts.



4



Assembly is complete.