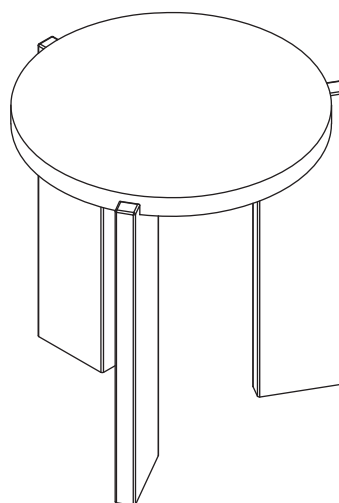
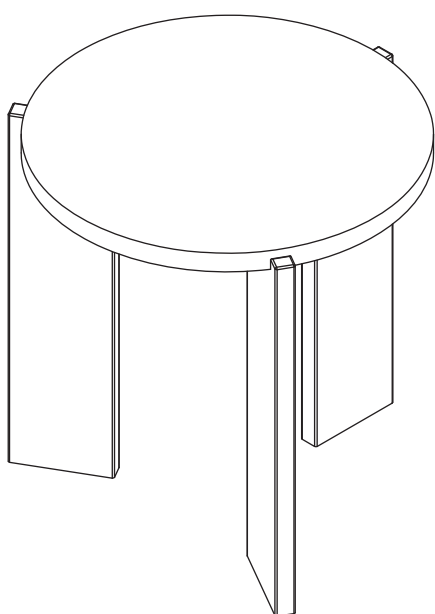


XYLO NEST

habitat 



Spare Parts

 www.argos-support.co.uk

 Help@ClickSpares.co.uk

 0370 112 1928

Customer Support

 0345 640 2020



Safety and Care Advice

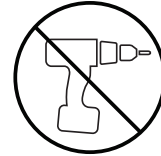
Product Details

Xylo Oak Nest 2001760

Xylo Dark Stained Ash Nest 2067993

IMPORTANT, RETAIN FOR FUTURE REFERENCE: READ CAREFULLY.

- Keep children and animals away from the work area, small parts could choke if swallowed.
- Assemble the item as close to its final position (in the same room) as possible.
- Assemble on a soft level surface to avoid damaging the unit or your floor.
- We do not recommend the use of power drill/drivers for inserting screws as this could damage the unit. Only use hand screwdrivers.
- Parts of the assembly will be easier with 2 people.
- Dispose of all packaging carefully and responsibly.



Care and maintenance

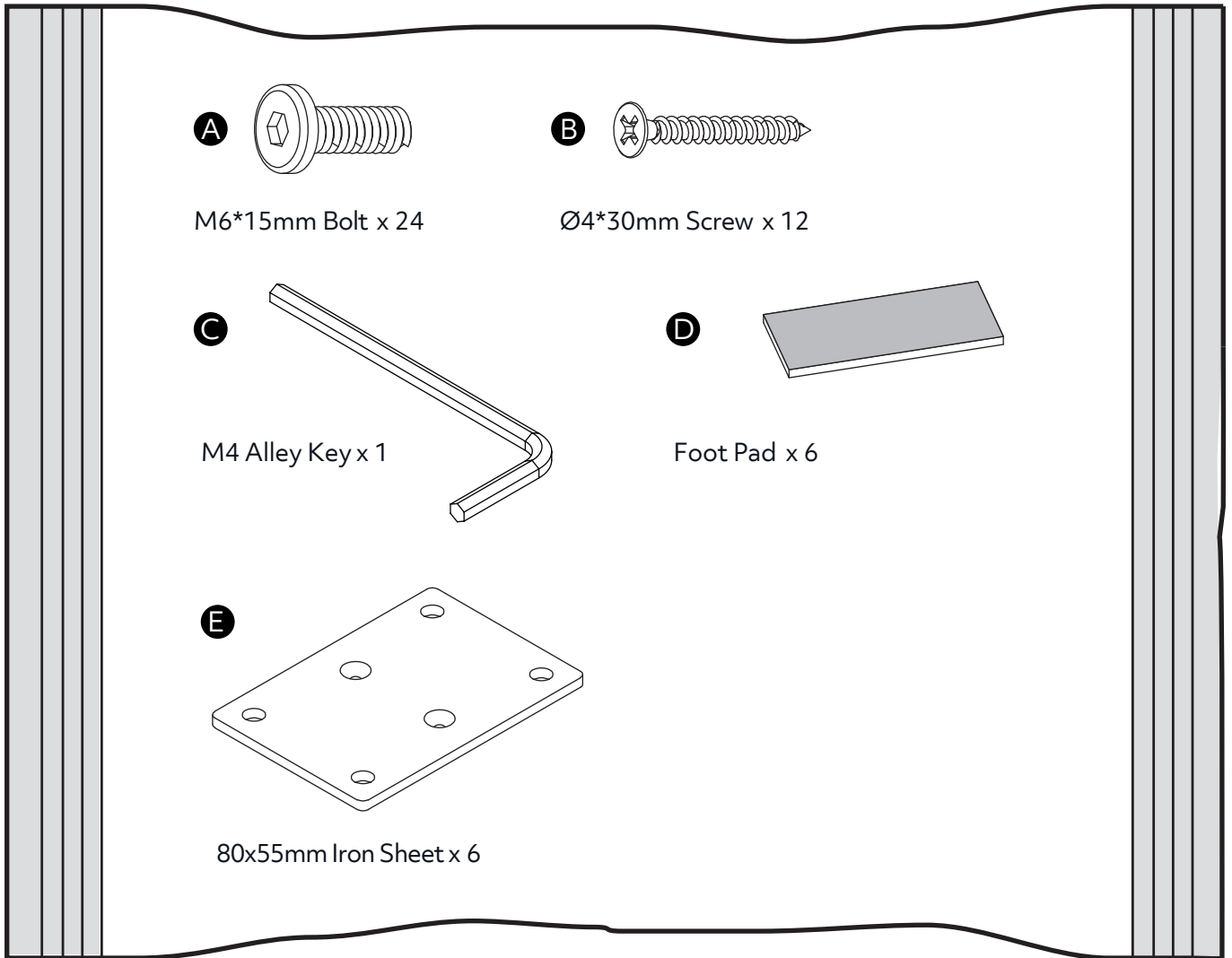
- Only clean using a damp cloth and mild detergent. Do not use abrasive cleaners.
- From time to time check that there are no loose screws, nuts or bolts. If there are please re-tighten.
- This product should not be discarded with household waste. Take to your local authority waste disposal centre.
- Use a dry cloth to clean the product, furniture polish is not recommended.

Additional Guidance

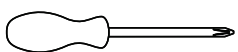
- Assemble all parts and bolts loosely during assembly, only once the product is complete should you fully tighten the bolts.
- Regularly check and ensure that all bolts and fittings are tightened properly.
- Maximum loading weight 50kg.
- This product is compliant EN12521.
- Any additional or replacement parts are obtained from the manufacturer.

Fittings (Shown to scale)

Bag 1

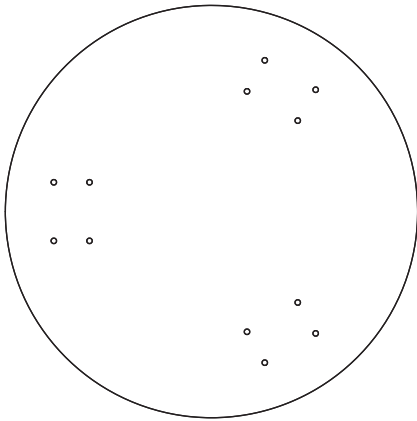


Tools required



Phillips screwdriver
(small & medium)

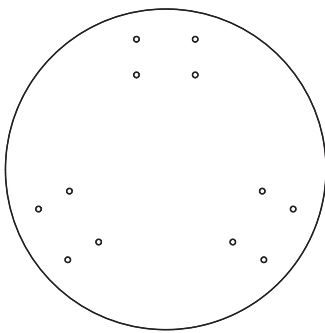
Panels



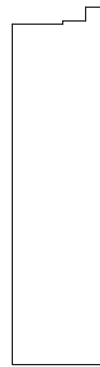
1 Large Top Panel x 1
(Ø450 x 25mm)



2 Large Leg x 3
(465 x 120mm)

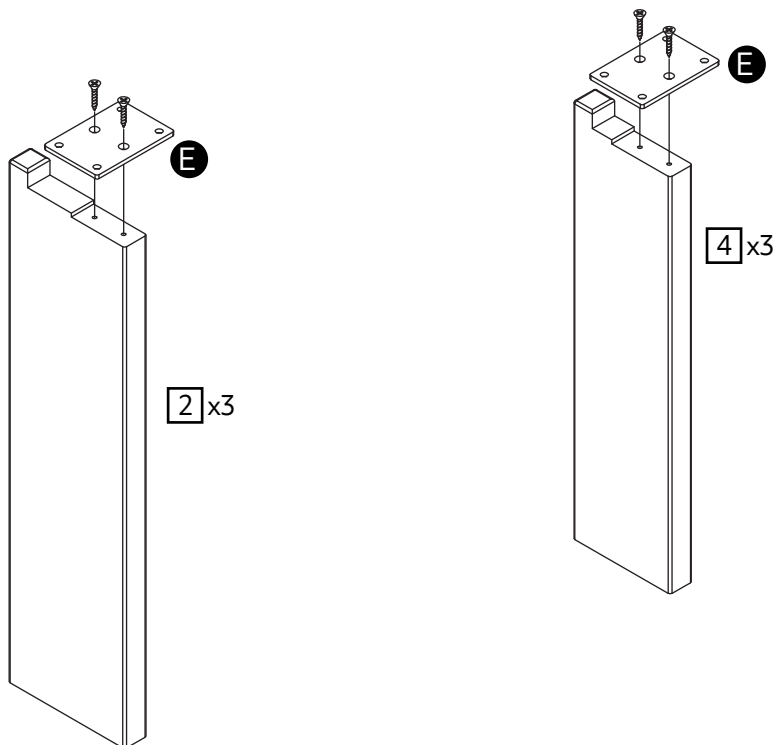
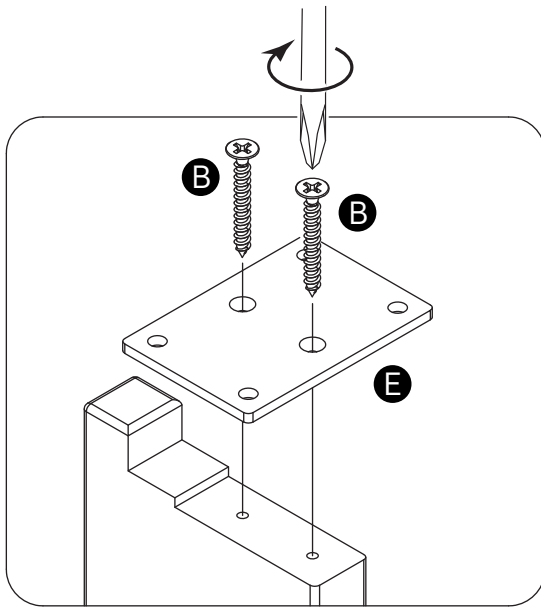
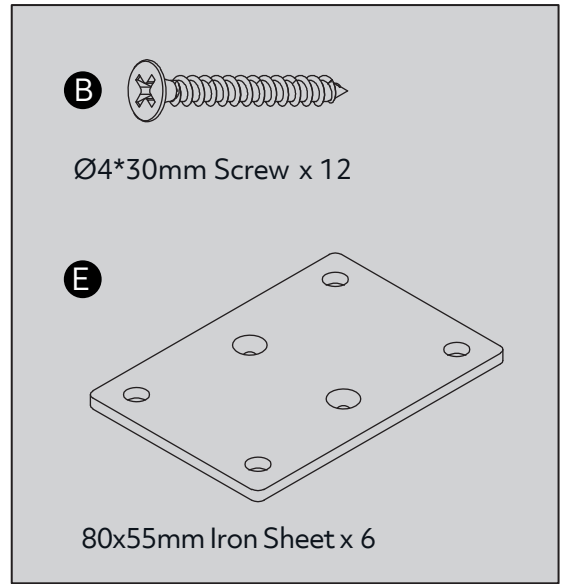
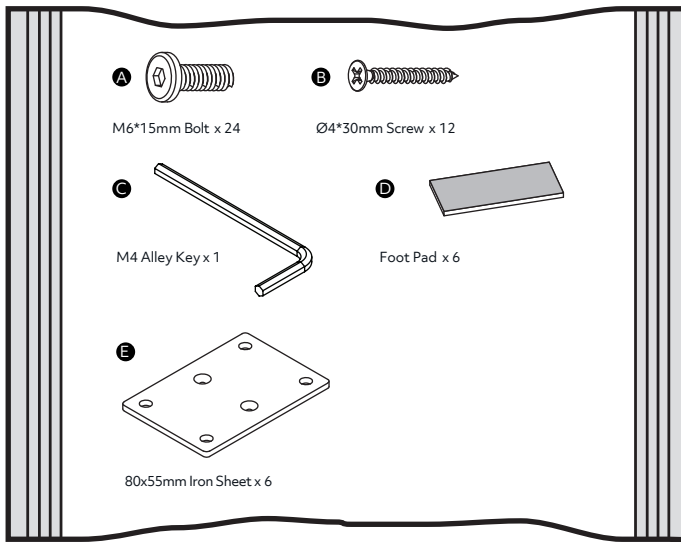


3 Small Top Panel x 1
(Ø350 x 25mm)

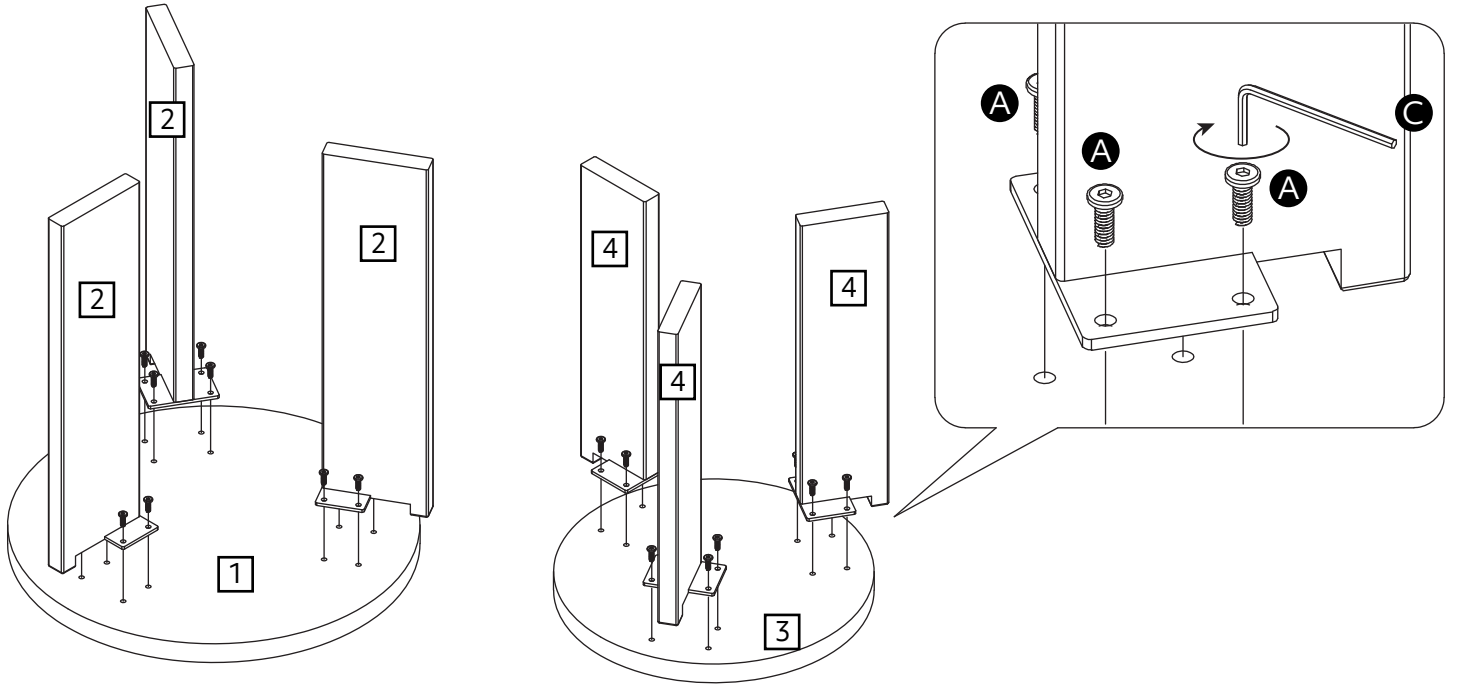
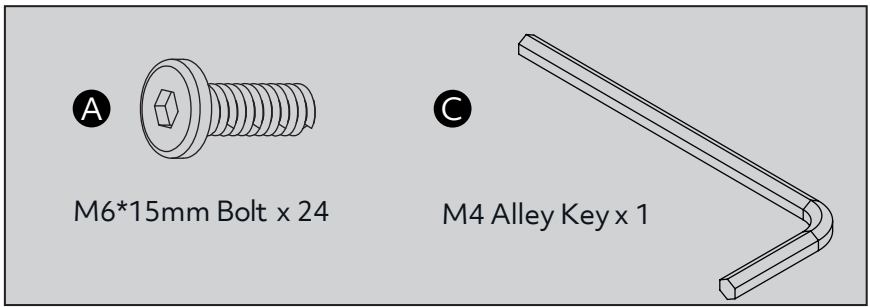


4 Small Leg x 3
(390 x 100mm)

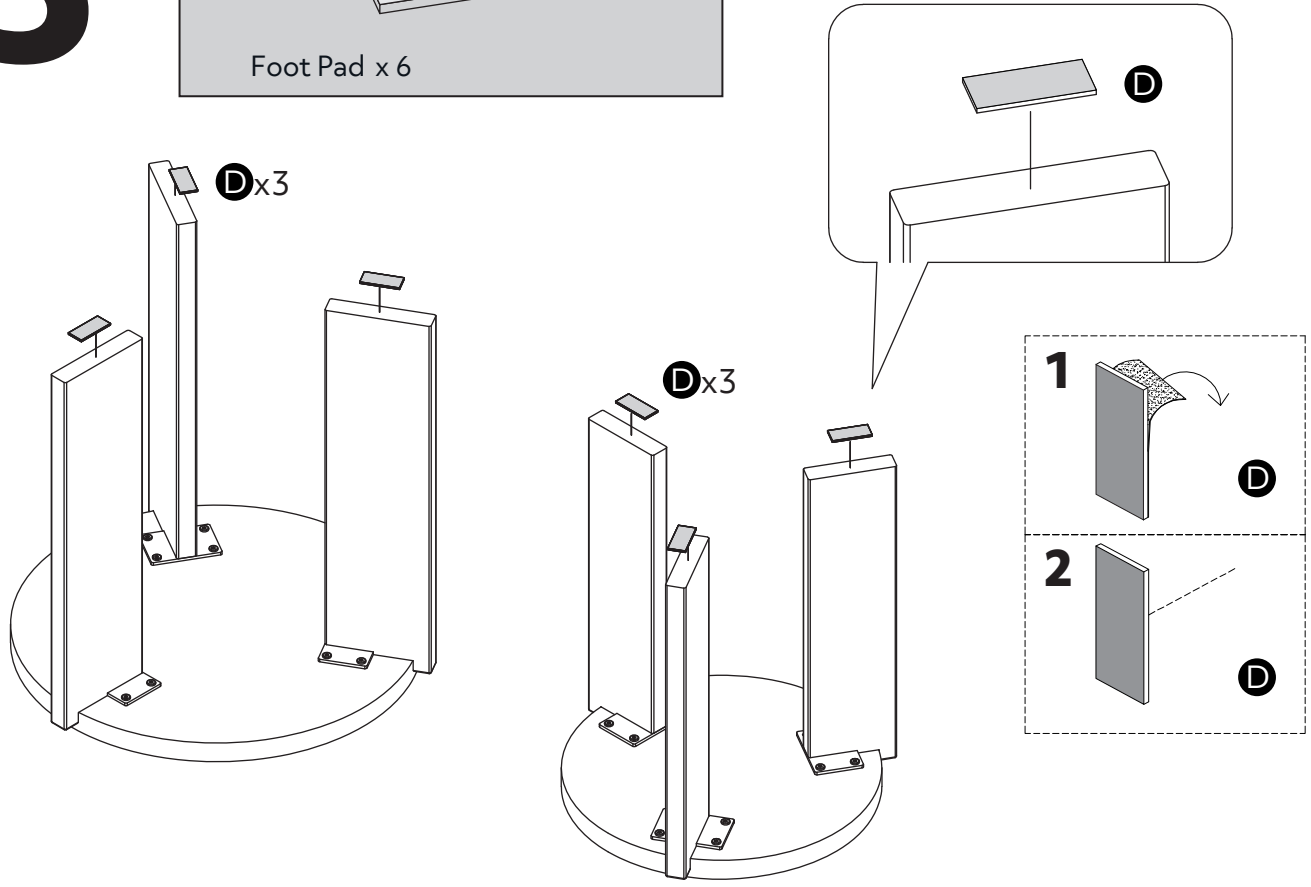
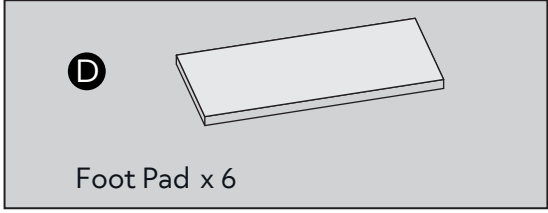
1



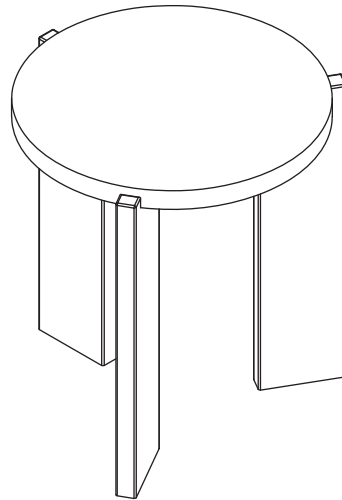
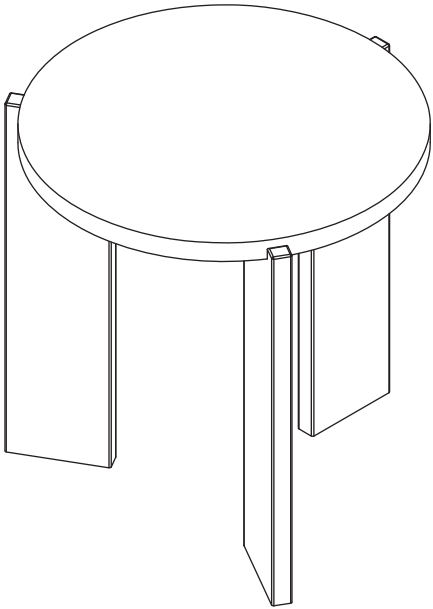
2



3



4



Assembly is complete.