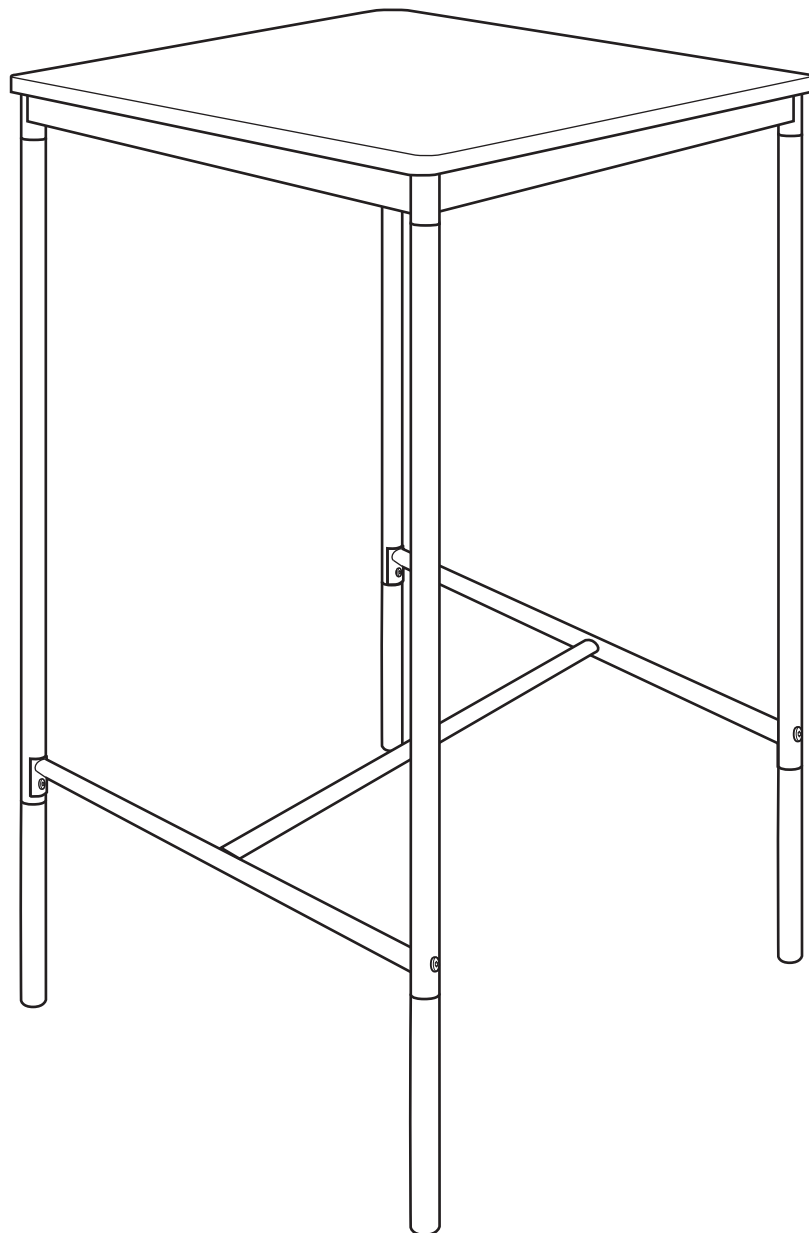


Stella Square habitat

Bar Table



Spare Parts

 www.argos-support.co.uk

 Help@ClickSpares.co.uk

 0370 112 1928

Customer Support

 0345 640 2020



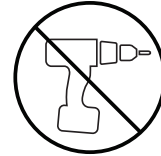
Safety and Care Advice

Product Details

HAB Stella Bar Set Square - 2065005

IMPORTANT, RETAIN FOR FUTURE REFERENCE: READ CAREFULLY.

- Keep children and animals away from the work area, small parts could choke if swallowed.
- Make sure you have enough space to layout the parts before starting.
- This product has been constructed to be used in the domestic environment only and not for commercial purposes.
- Assemble the item as close to its final position (in the same room) as possible.
- Assemble on a soft level surface to avoid damaging the unit or your floor.
- We do not recommend the use of power drill/drivers for inserting screws as this could damage the unit. Only use hand screwdrivers.
- Parts of the assembly will be easier with 2 people.
- Dispose of all packaging carefully and responsibly.



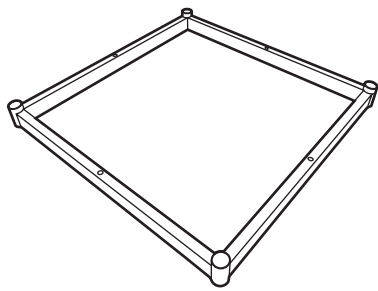
Care and maintenance

- Only clean using a damp cloth and mild detergent. Do not use abrasive cleaners.
- Use a dry cloth to clean the product, furniture polish is not recommended.
- From time to time check that there are no loose screws, nuts or bolts. If there are please re-tighten.
- This product should not be discarded with household waste. Take to your local authority waste disposal centre.

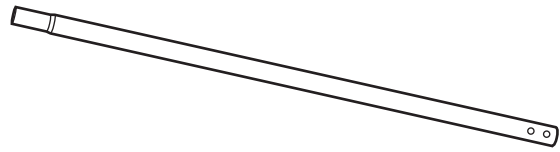
Additional Guidance

- Assemble all parts and bolts loosely during assembly, only once the product is complete should you fully tighten the bolts.
- Regularly check and ensure that all bolts and fittings are tightend properly.
- This product is compliant BS EN 12521:2015

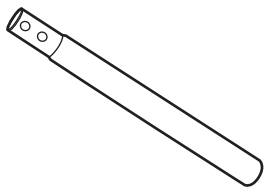
Parts



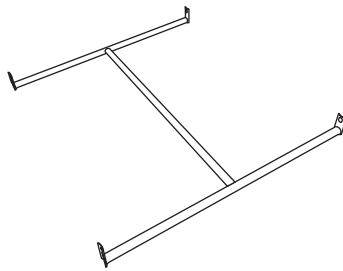
1 Apron frame



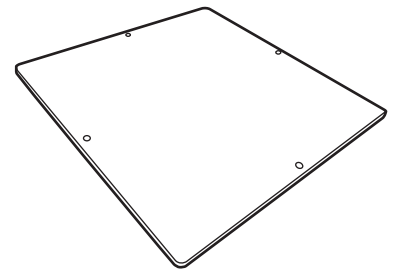
2 Table leg A (x4)



3 Table leg B (x4)



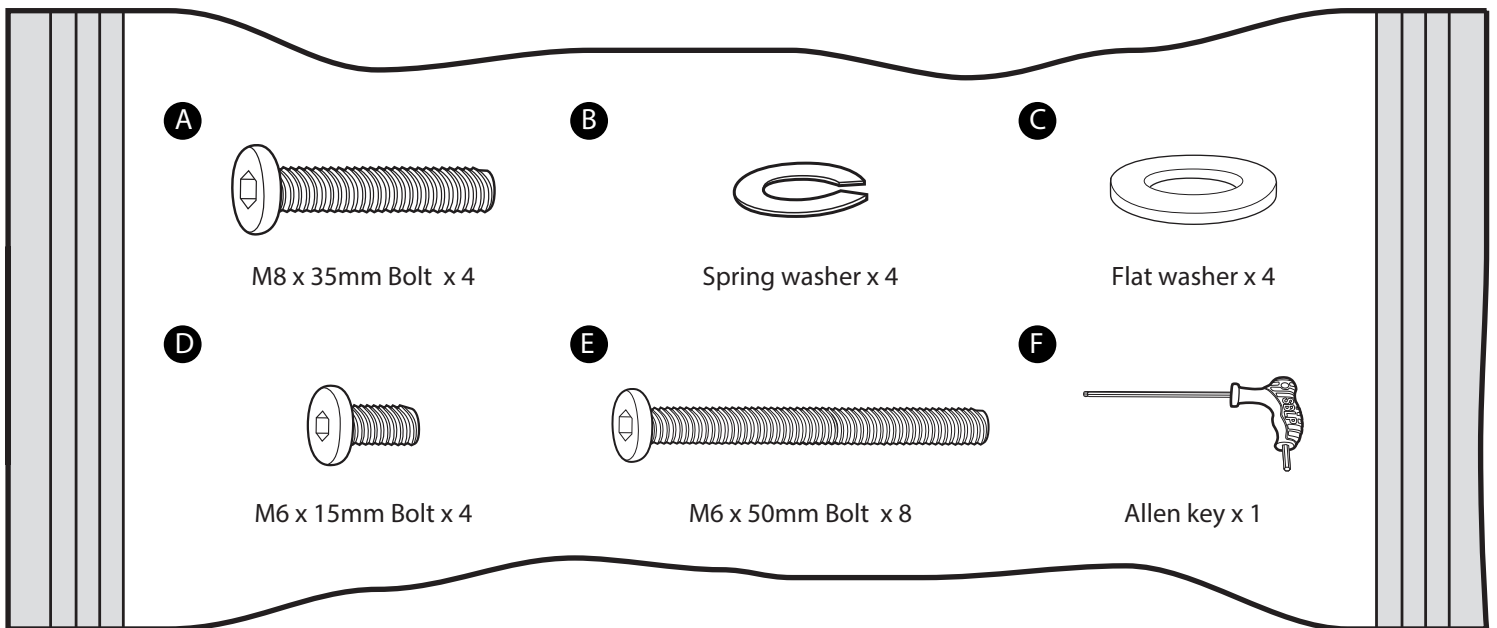
4 Footrest frame



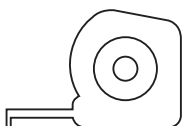
5 Table top

Fittings (Shown to scale)

Bag 1

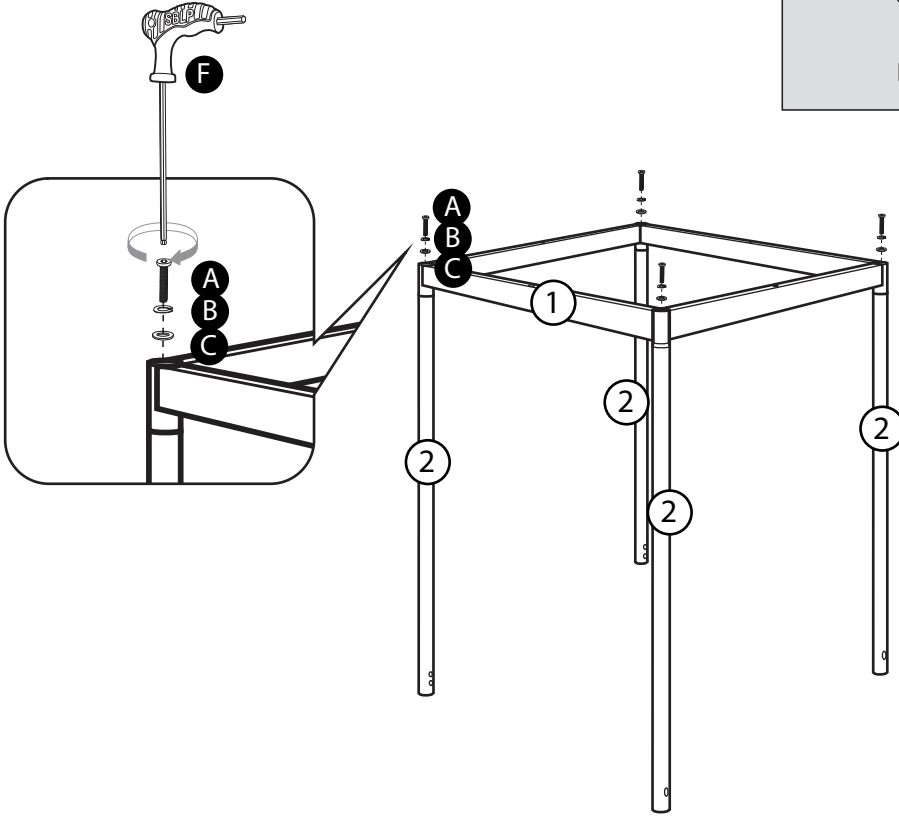
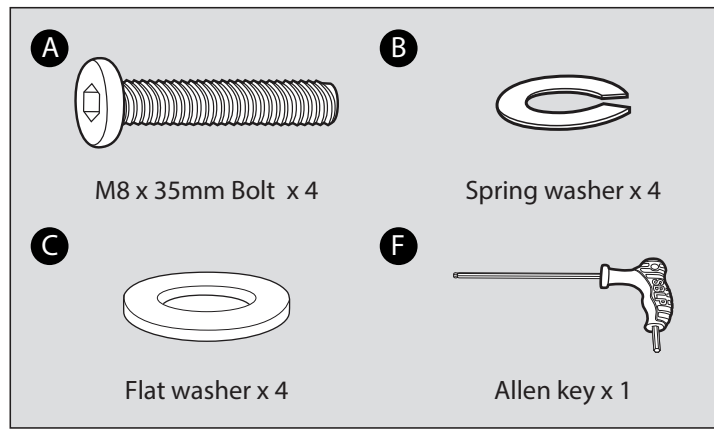
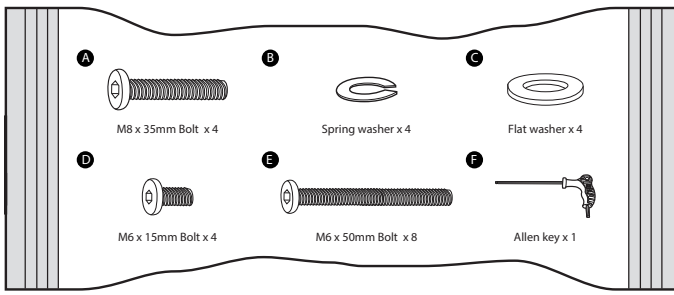


Tools required

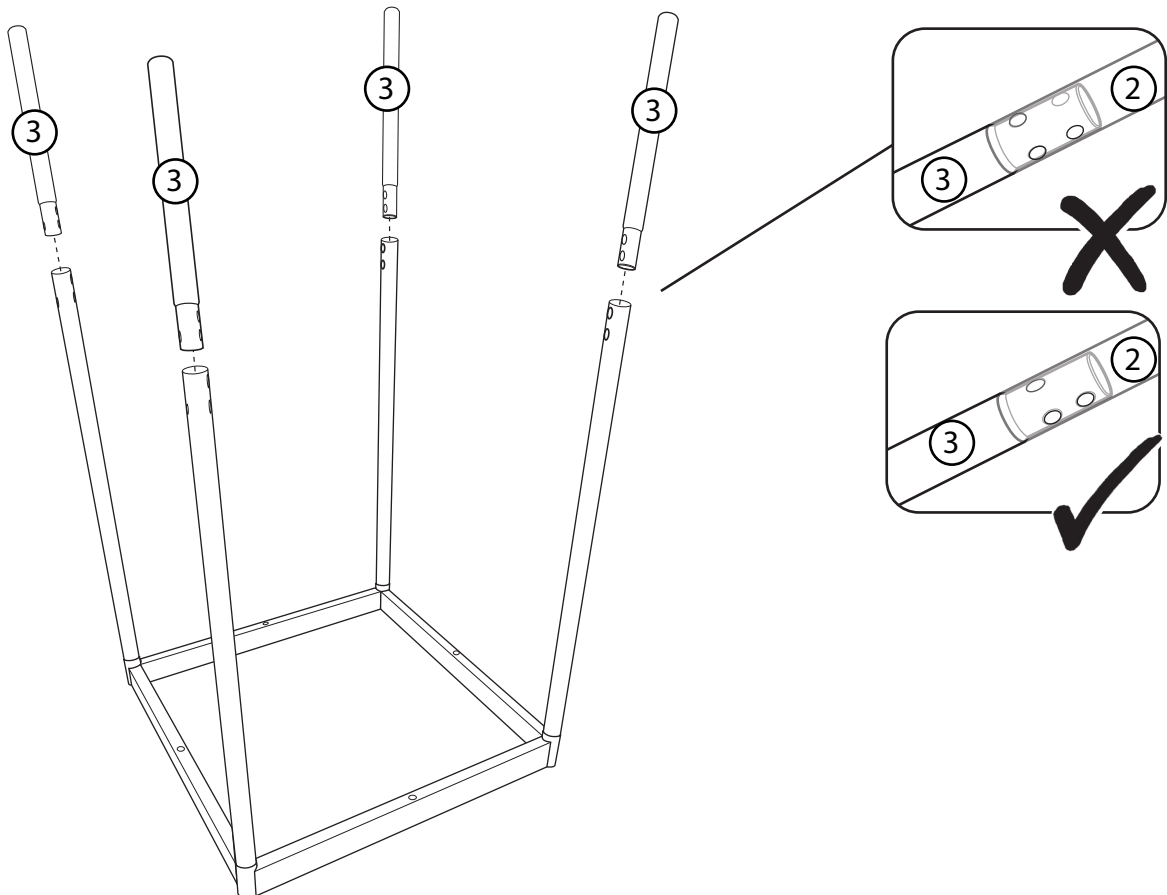


Ruler/tape
measure

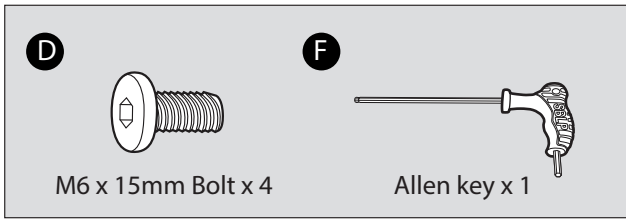
1



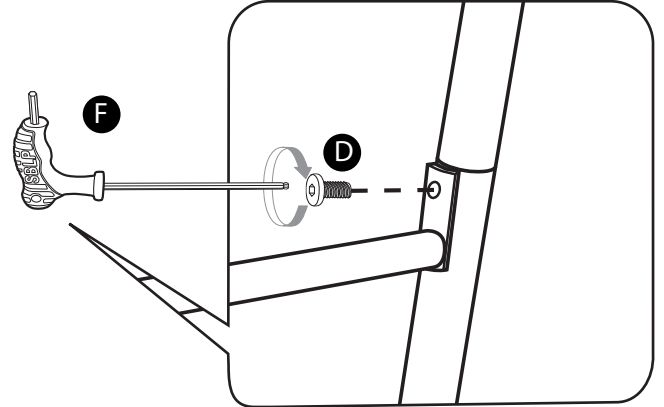
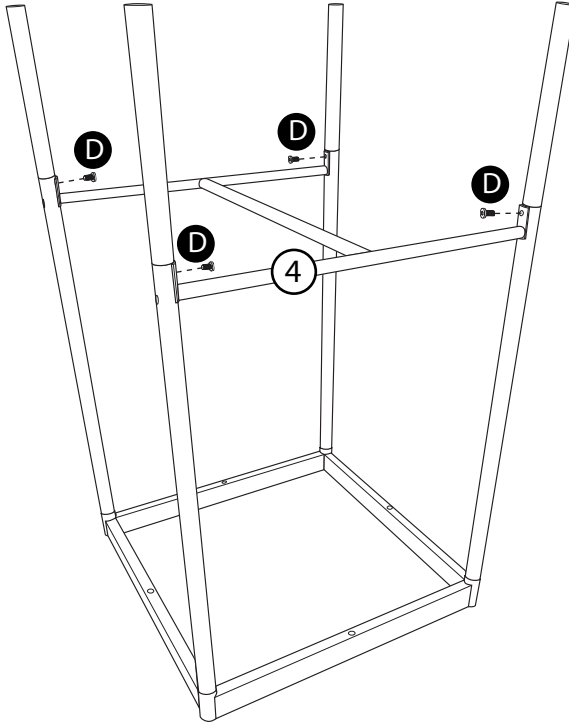
2



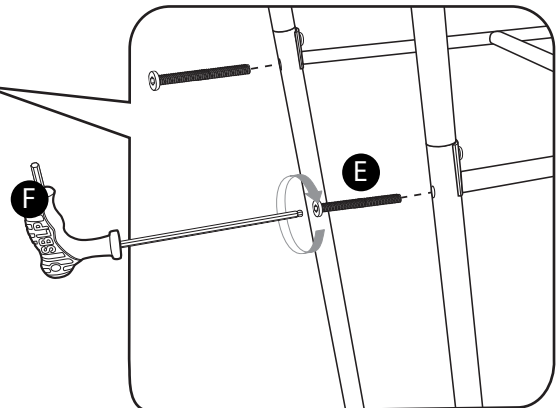
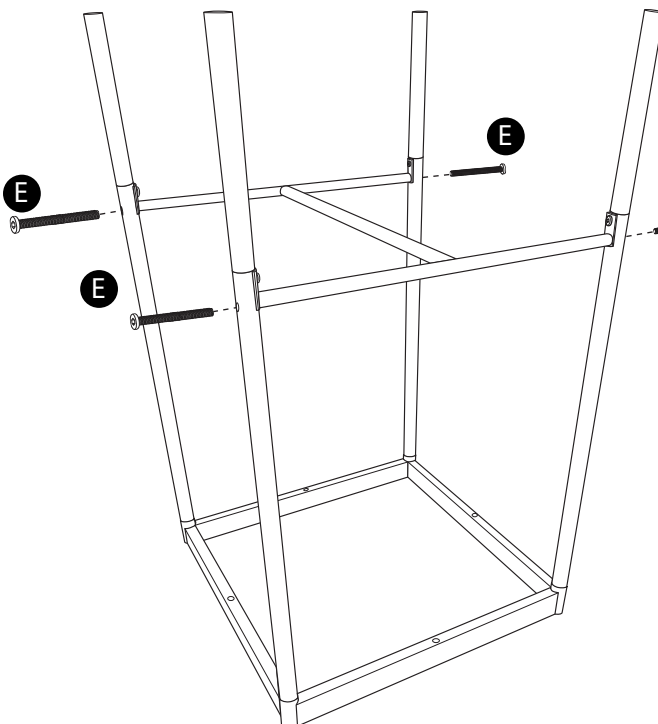
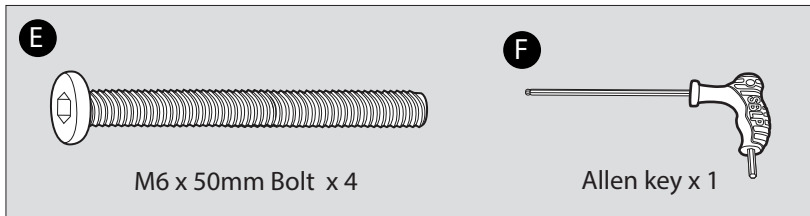
3



WARNING!
PLEASE DO NOT FULLY
TIGHTEN THE BOLTS AT
THIS STEP.

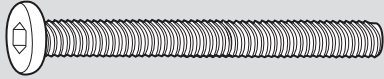


4



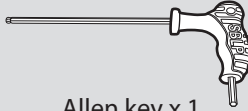
5

E



M6 x 50mm Bolt x 4

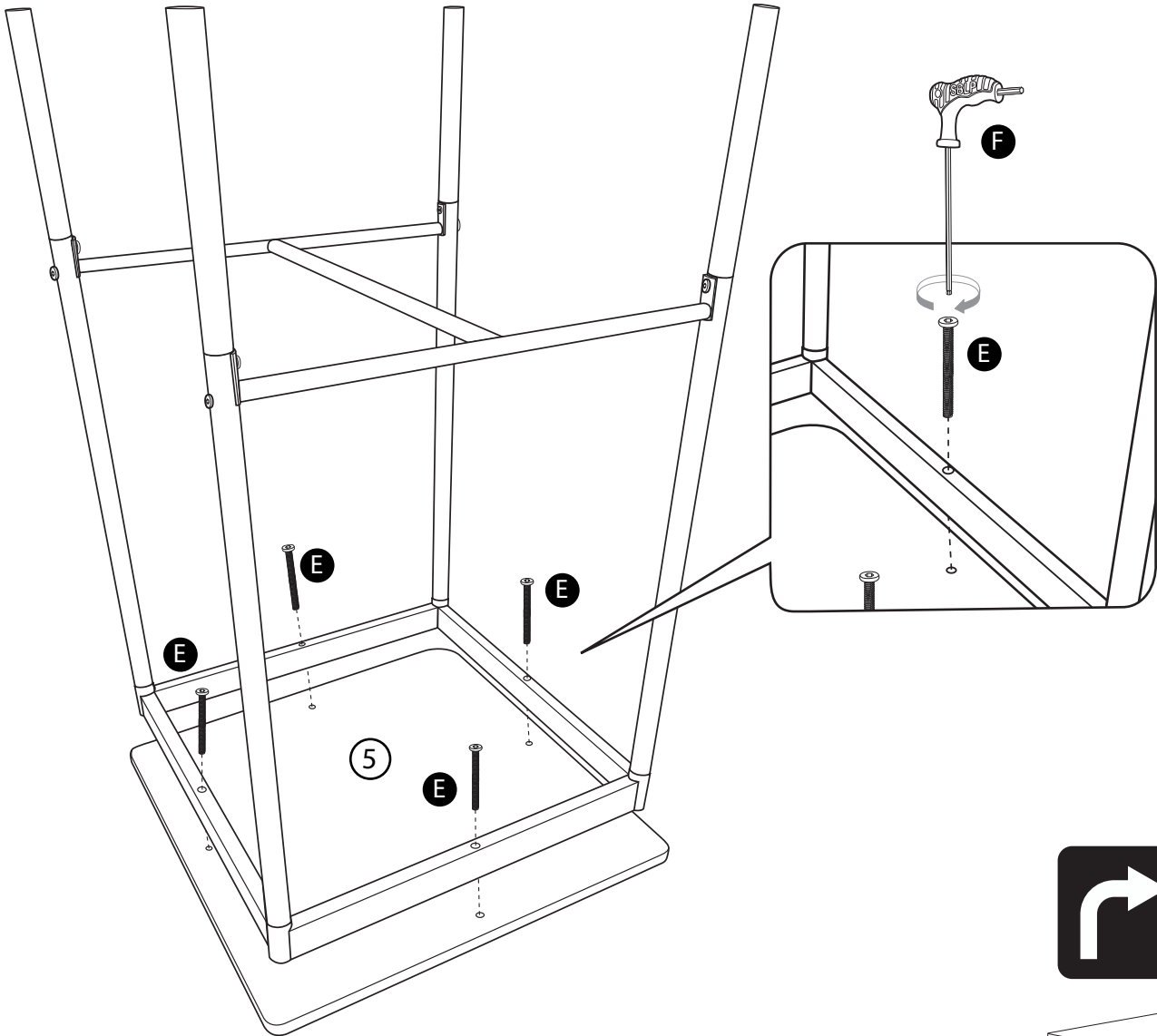
F



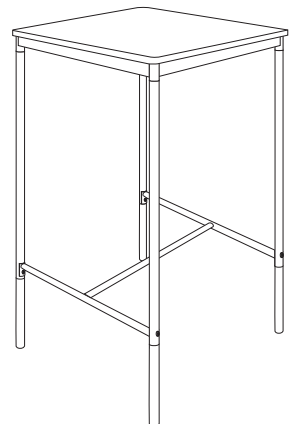
Allen key x 1

WARNING!

PLEASE FULLY TIGHTEN ALL BOLT AT THIS STEP.



 **Turn Product**



Assembly complete.