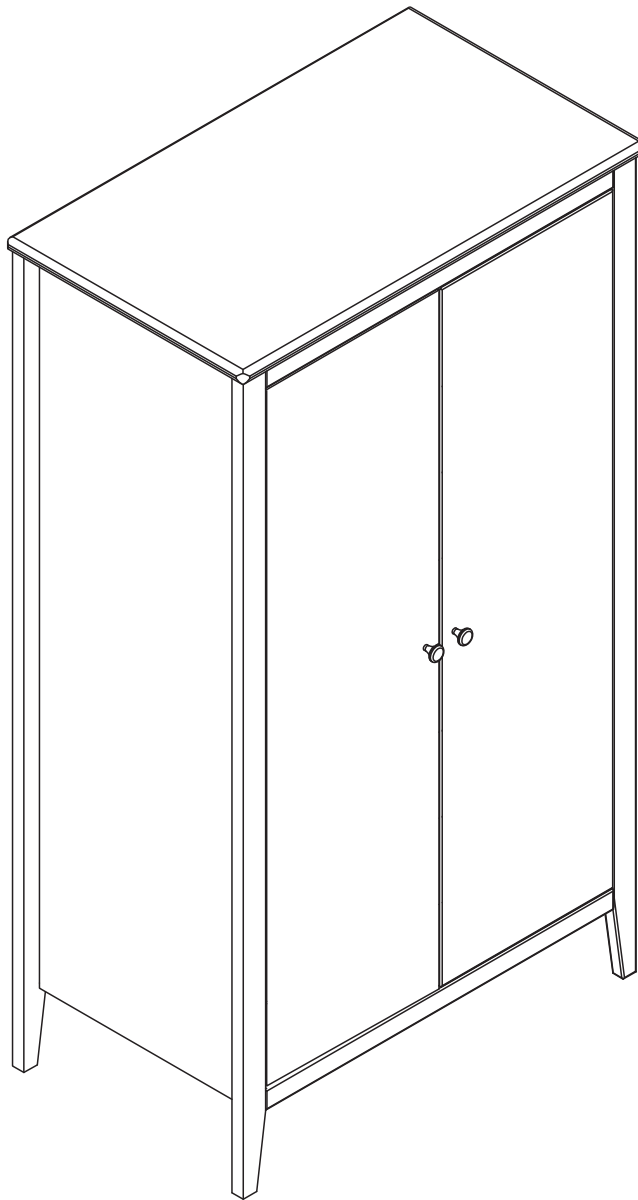




CANTERBURY WARDROBE

care & instruction manual



IMPORTANT

RETAIN THESE INSTRUCTIONS FOR FUTURE REFERENCE



Wardrobe & Safety

WARNING!

IN ORDER TO PREVENT OVERTURNING THIS PRODUCT MUST BE USED WITH THE WALL ATTACHMENT DEVICE PROVIDED

Serious or fatal crushing injuries can occur from furniture tipping over. To help prevent this item of furniture tipping over:

- Use the wall attachment device provided.
- Do not let children climb or hang on doors, or shelves.
- Place the heaviest items in the lower shelves.
- Do not place TV's, or other heavy objects on top of this wardrobe.
- Assembly to be carried out by a competent adult only.
- During assembly children should be kept away from the product due to possible risk of injury.
- Do not use this item if any components are missing or damaged .
- Regularly check all fastenings to ensure that they properly tightened .
- This product is suitable for children from 3 years old to 12 years old.
- The maximum child weight should be no more than 40kgs.

An attachment device is provided with the wardrobe, however you will need to source suitable fixings for your wall type. If in doubt, please consult a qualified tradesperson.

Always ensure the wall to be drilled is free from hidden electrical wires, water and gas pipes.

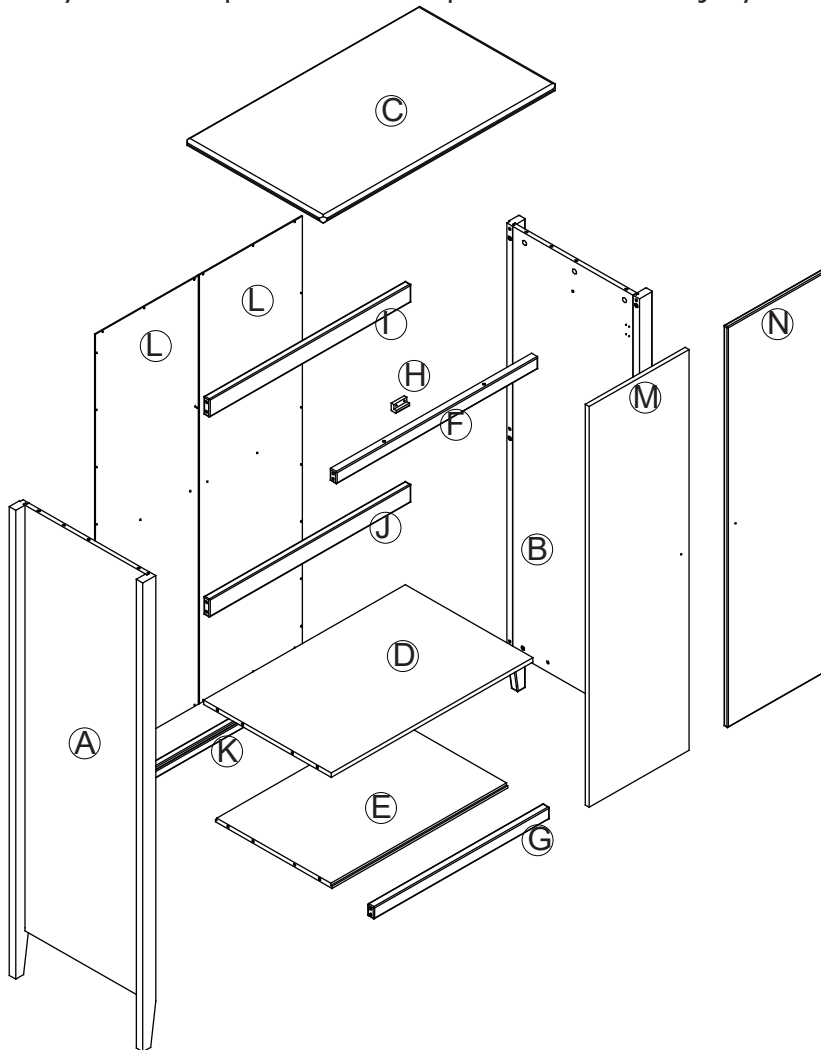
This product complies with FIRA/FRQG C001:2016; FIRA/FRQG C004:2016.

CARE & MAINTENANCE

- Your wardrobe can be cleaned by wiping with a damp cloth and drying with a soft clean cloth.
- Do not use abrasives, bleach, alcohol or ammonia based household polishes.
- Take care when handling or moving. Careless handling can damage wooden furniture.
- Wood is a natural material, the colour will darken with age.

Important!

Assemble on a soft level surface to avoid damaging the unit or your floor
 Parts of the assembly will be easier with 2 adult people and during assembly children should be kept away from the product due to possible risk of injury



- | | | | | | | |
|--------------------------------|----------------------------------|-----------------------------------|----------------------|----------------------------------|----------------------------------|----------------------------------|
| P1

x6 | P2

x 36
P2=16mm | P3

x24 | P4

x24 | P5

x22 | P6

x1 | P7

x2 |
| P8

x2
P8=20mm | P9

x1 | P10

x32
P10=16mm | P11

x2 | P12

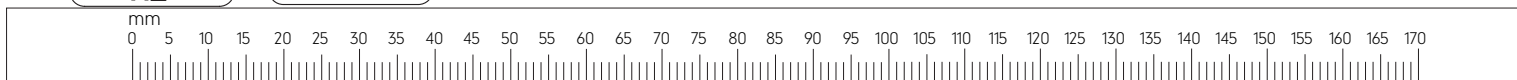
x2
P12=25mm | P13

x2
P13=20mm | P14


x2
P14=50mm |
| P15

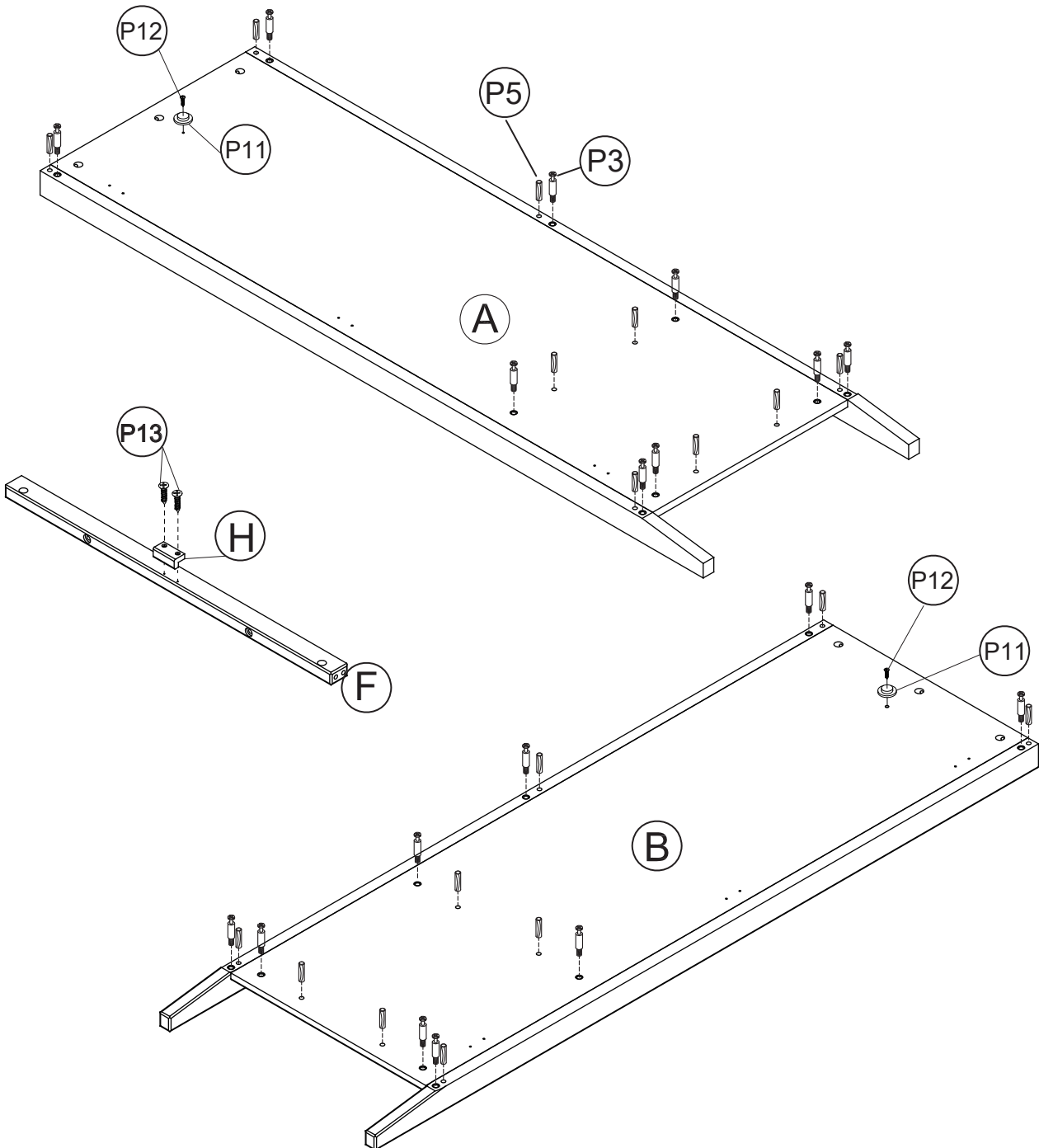
x2 | P16

x1 | tool required
 | | tool required
 | | |



1

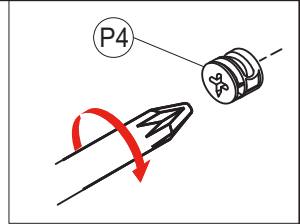
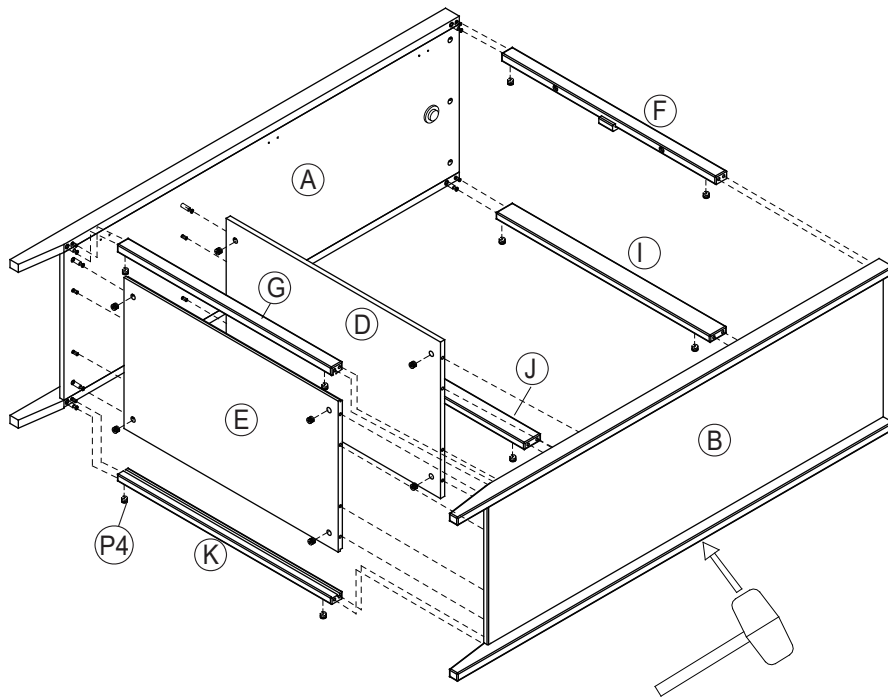
- P3.  x18
- P5.  x18
- P11.  x2
- P12.  x2
- P13.  x2

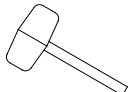


2

P4.



 x18

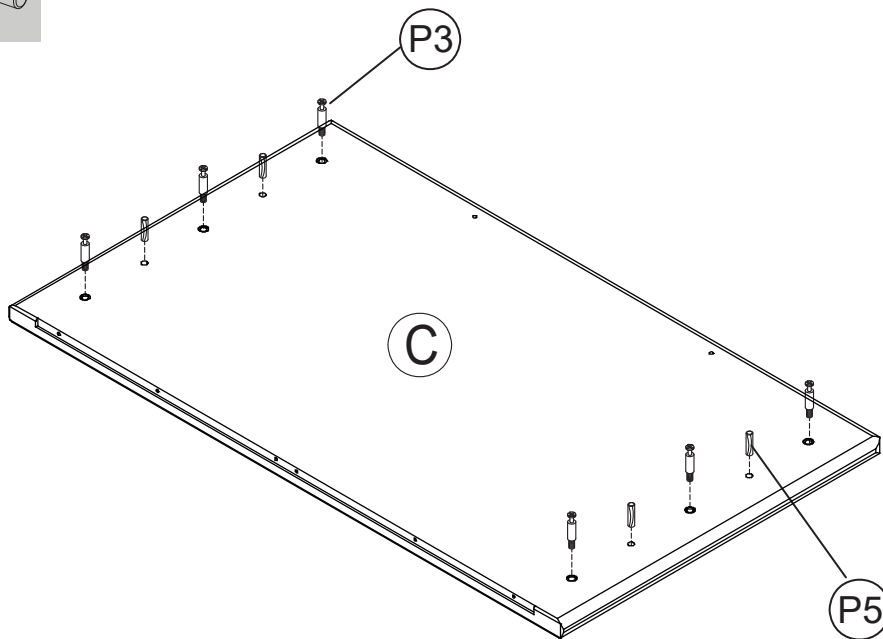



 Use rubber mallet
 when assembling the
 wooden parts.


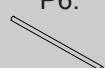


In this step. it will be easier with 2 people.

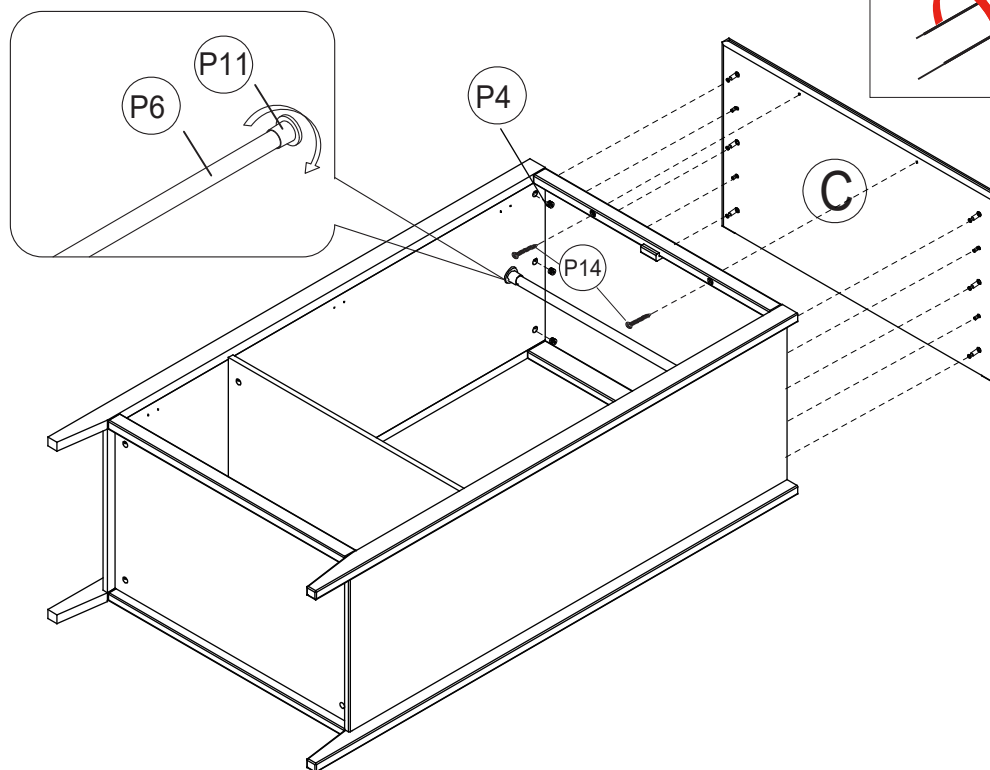
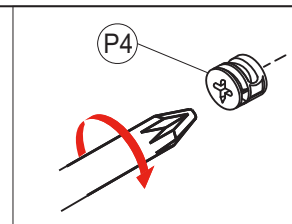
3

P3. P5.
 
 x6 x4





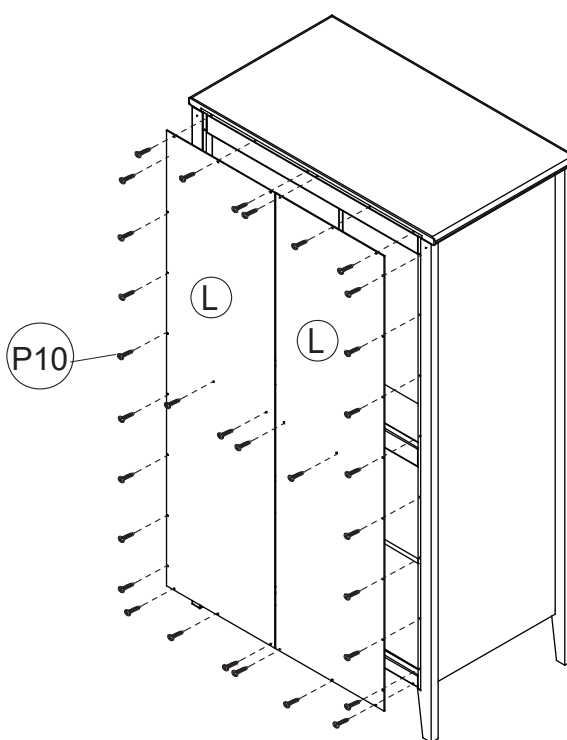
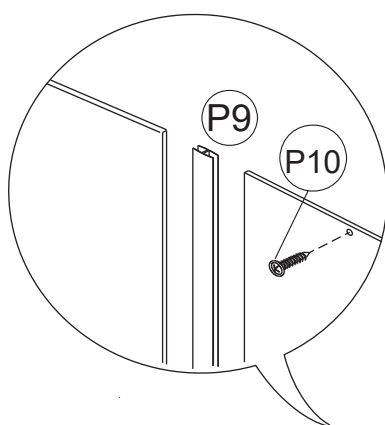
4

- | | | | |
|---|---|---|---|
| P4. | P6. | P11. | P14. |
|  |  |  |  |
| x6 | x1 | x2 | x2 |

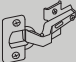





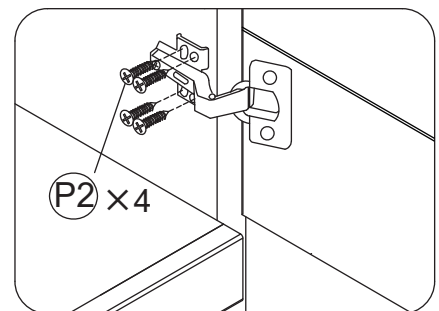
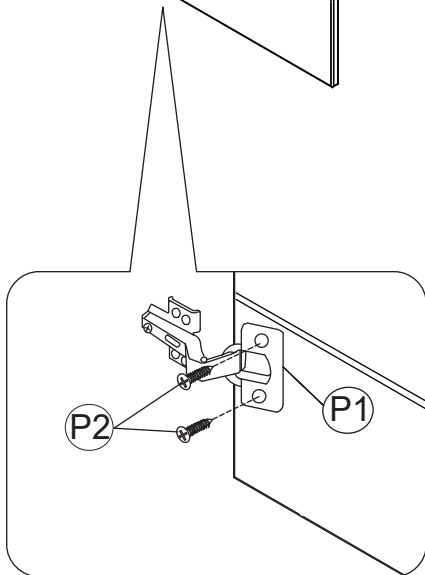
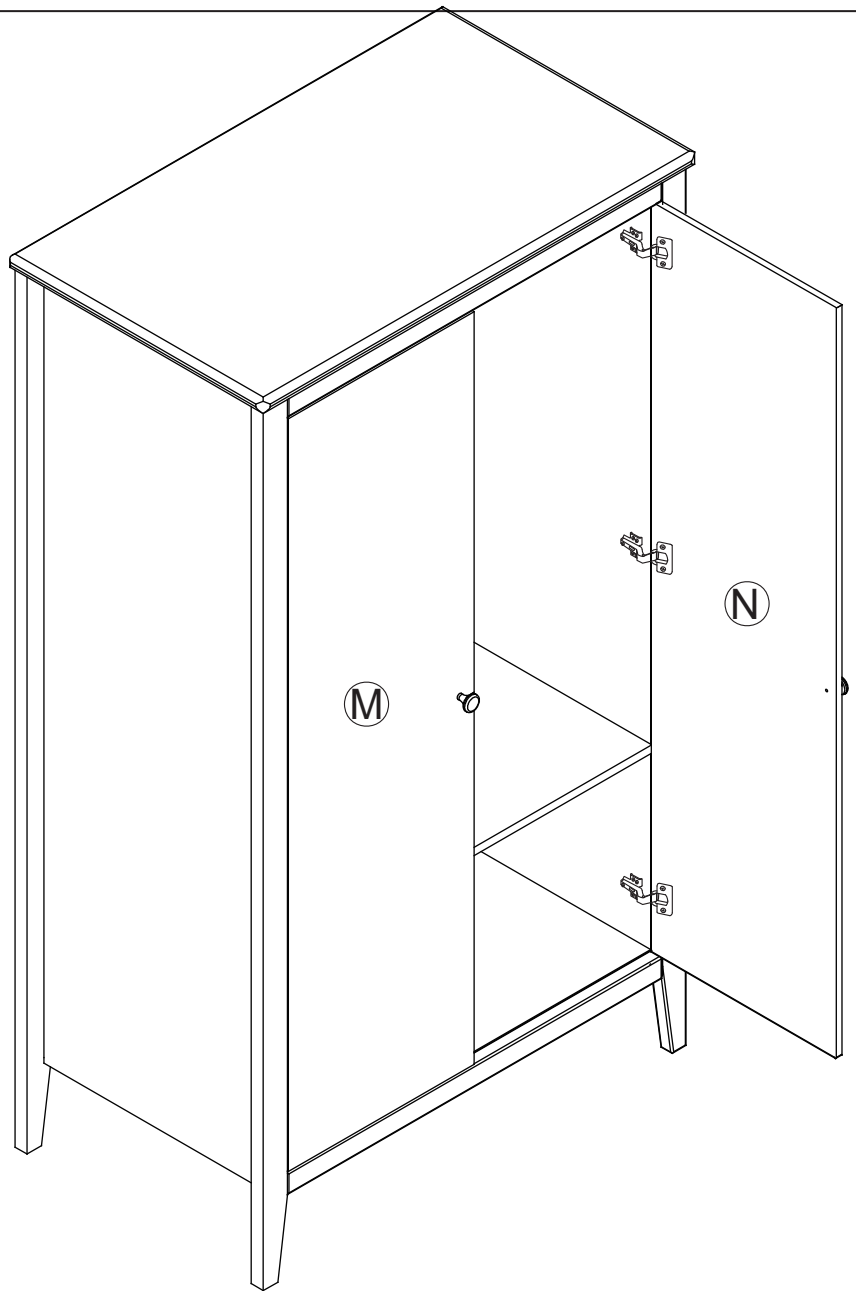
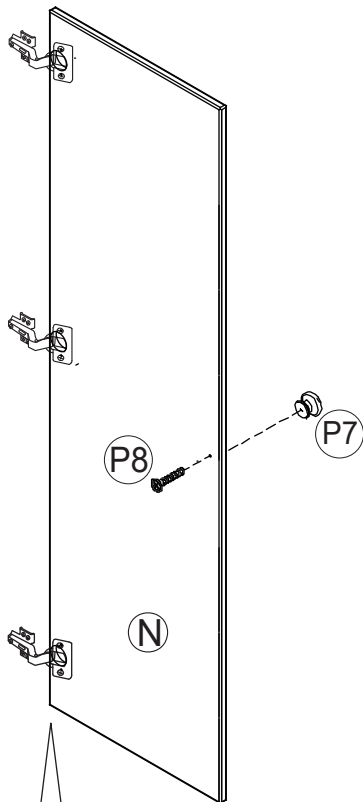
5

- | | |
|---|---|
| P9. | P10. |
|  |  |
| x1 | x32 |



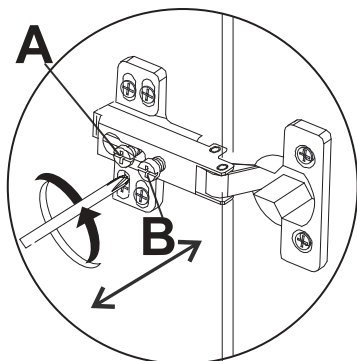
6

P1.  x6	P2.  x36	P7.  x2	P8.  x2
--	---	--	--

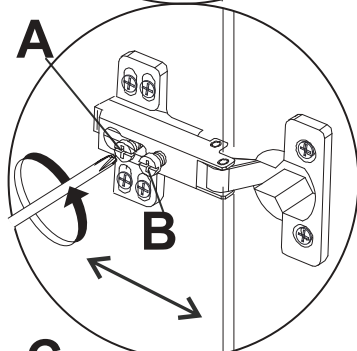


hinge adjustment

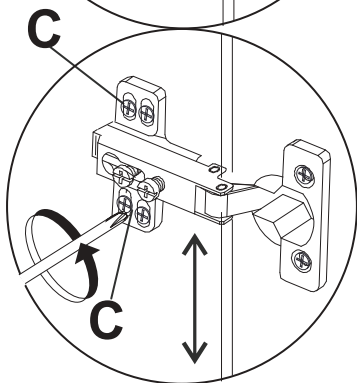
If the doors do not appear square or aligned, loosen or tighten the appropriate screws on each case hinge as illustrated.



1) Side to side adjustment:
Loosen screw A, adjust gap with screw B and re-tighten screw A.

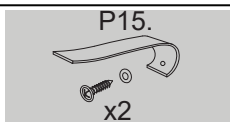


2) Depth adjustment:
Loosen screw A, push hinge arm forwards or backwards, re-tighten screw A and secure screw B with a 1/4 turn clockwise.



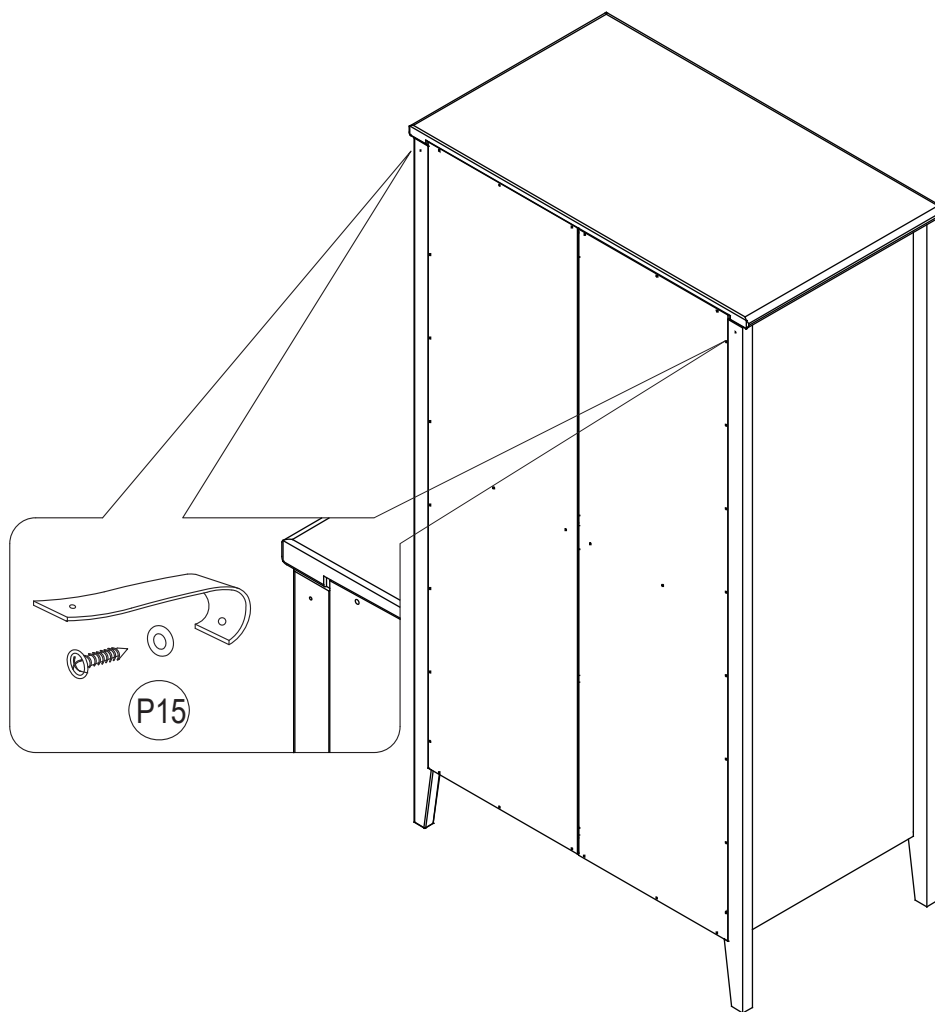
3) Height adjustment:
Loosen screw C, adjust door height and re-tighten screw C.

8

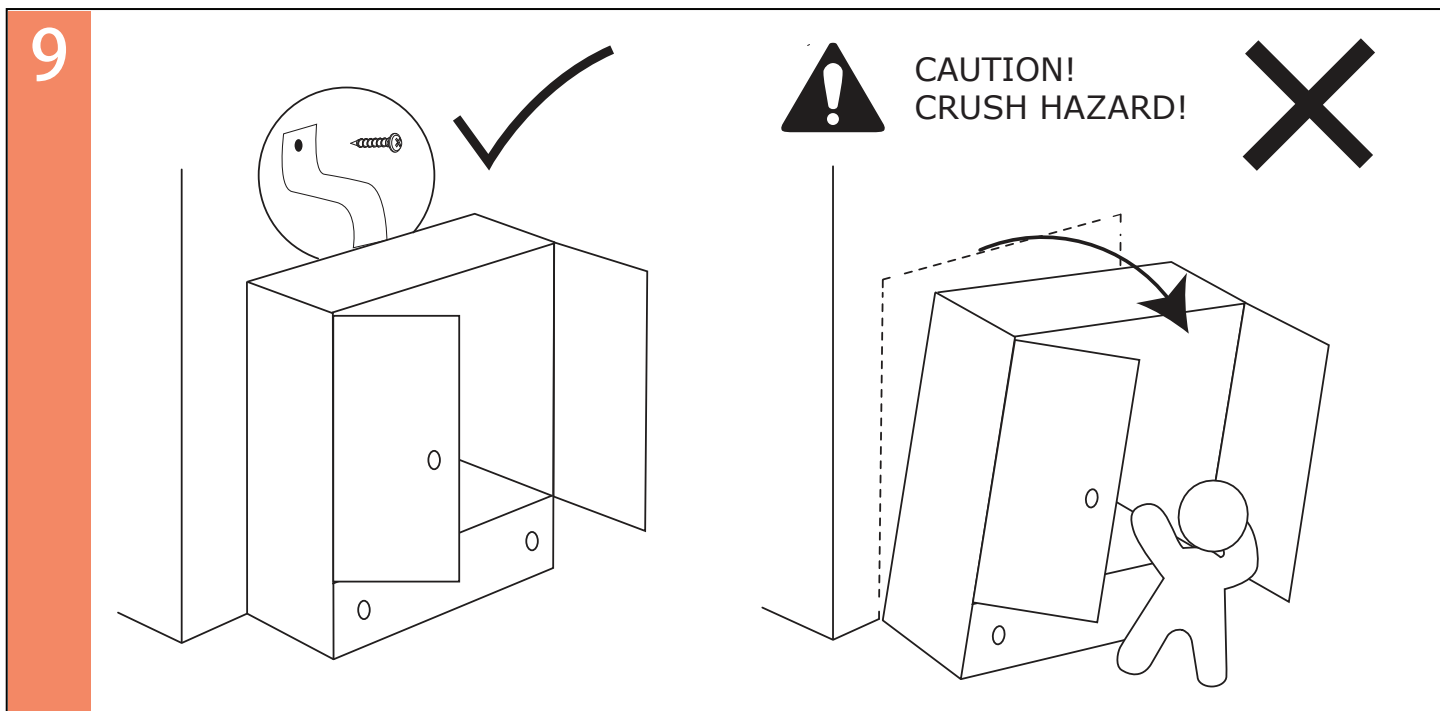


Attach the wall straps

Attach the strap to the solid wood part on the wardrobe top and then to the wall.



Wall mounting & fixing kit NOT included.
 Make sure that the screws and wall plugs being used are suitable for the type of wall.



To prevent tipping, use wall safety pack to attach back of wardrobe to the wall.

Technical specification

Product title	CANTERBURY WARDROBE
Argos Cat. No.	2022653
Supplier Ref. No.	VIMOON03
Designed to comply with	FIRA/FRQG C001:2016
	FIRA/FRQG C004:2016
Product weight	51kg
Dimensions(H*W*D)	W900 x D525 x H1600mm

If you encounter any problems with this product please call our customer care team on 0345 640 2020

Produced in China for Argos Limited, 489-499 Avebury Boulevard Central Milton Keynes MK9 2NW. UK.