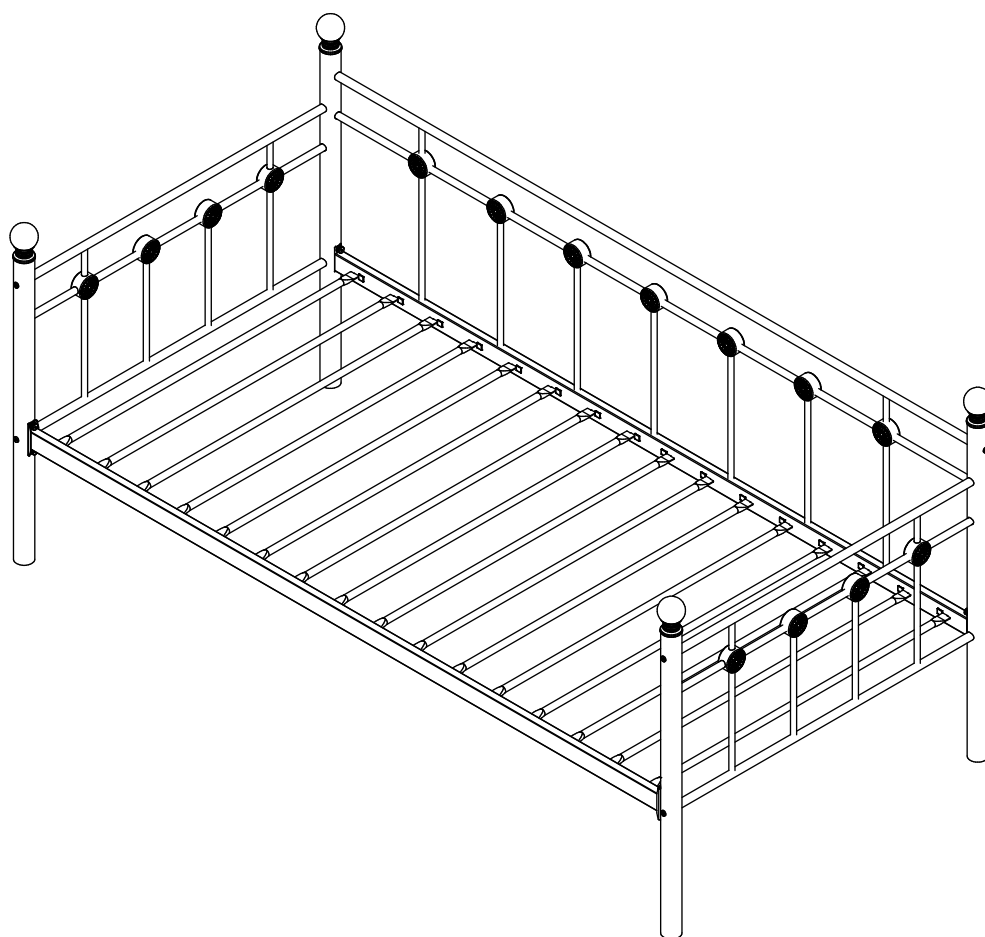


# Abigail Daybed

habitat 


# 3ft



## Spare Parts

-  [www.argos-support.co.uk](http://www.argos-support.co.uk)
-  [Help@ClickSpares.co.uk](mailto:Help@ClickSpares.co.uk)
-  0370 112 1928

## Customer Support

-  0345 640 2020

# Safety and Care Advice

---

## Product Details

Abigail Daybed 3ft 2004169

## IMPORTANT, RETAIN FOR FUTURE REFERENCE: READ CAREFULLY.

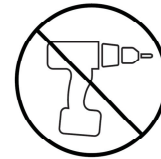
- Keep children and animals away from the work area, small parts could choke if swallowed.

- Make sure you have enough space to layout the parts before starting.

- This product has been constructed to be used in the domestic environment only and not for commercial purposes.

- Assemble the item as close to its final position (in the same room) as possible.

- Assemble on a soft level surface to avoid damaging the unit or your floor.



- We do not recommend the use of power drill/drivers for inserting screws as this could damage the unit. Only use hand screwdrivers.

- Parts of the assembly will be easier with 2 people.

- Dispose of all packaging carefully and responsibly.

## Care and maintenance

---

- Only clean using a damp cloth and mild detergent. Do not use abrasive cleaners.

- Use a dry cloth to clean the product, furniture polish is not recommended.

- From time to time check that there are no loose screws, nuts or bolts. If there are please re-tighten.

- This product should not be discarded with household waste. Take to your local authority waste disposal centre.

## Additional Guidance

---

- Assemble all parts and bolts loosely during assembly, only once the product is complete should you fully tighten the bolts.

- Regularly check and ensure that all bolts and fittings are tightend properly.

- Max individual user weight 100kg

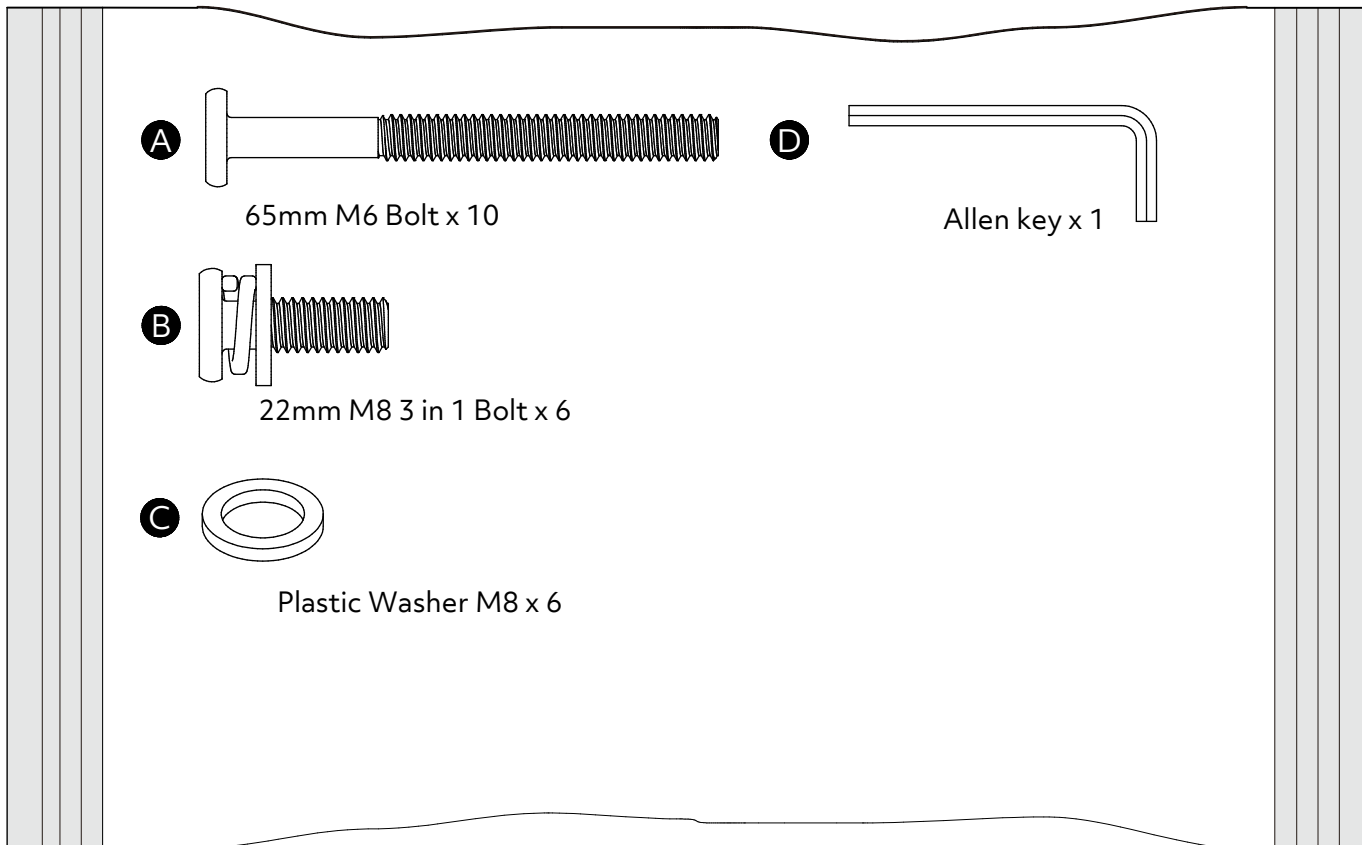
- This product complies with BS EN 1725:1998

- Any additional or replacement parts are obtained from the manufacturer.

Argos limited, 489-499 Avebury Boulevard, Milton Keynes, MK9 2NW. Argos [N.I.] Ltd, Forestside Shopping Centre, Upper Galwally, Belfast, United Kingdom, BT8 6FX. Argos Distributors (Ireland) Limited, Unit 7, Ashbourne Retail Park, Ballybin Road, Ashbourne, County Meath, Ireland.

# Fittings (Shown to scale)

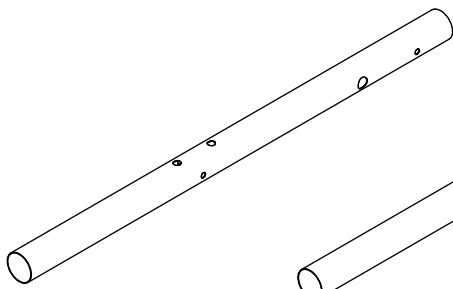
## Bag



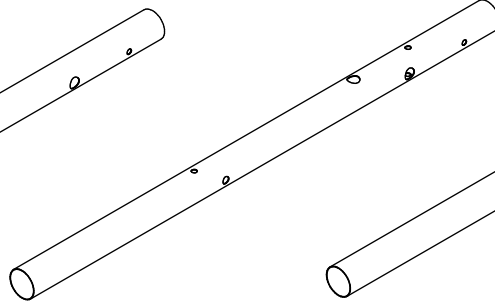
**!** Please do not completely tighten all the hardware, until the entire assembly is complete.

# Panels

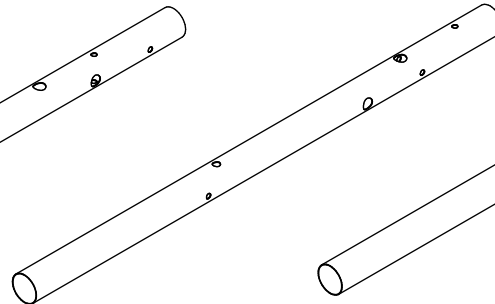
---



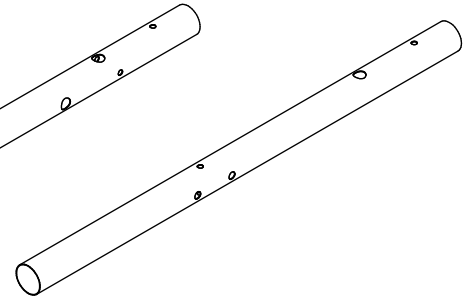
1 Post 01 x1  
(790mm)



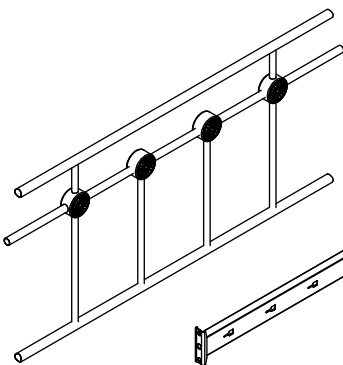
2 Post 02 x1  
(873mm)



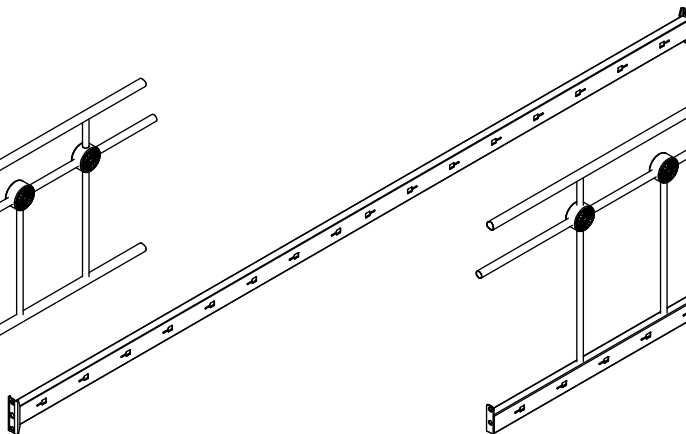
3 Post 03 x1  
(873mm)



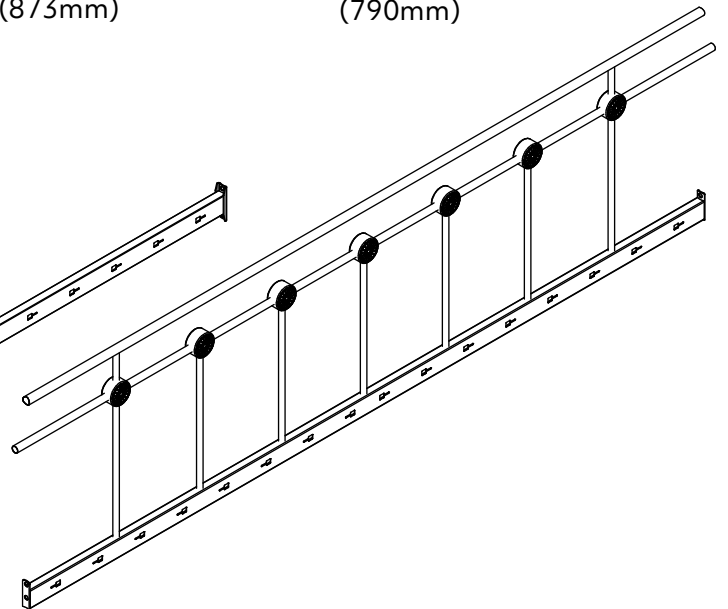
4 Post 04 x1  
(790mm)



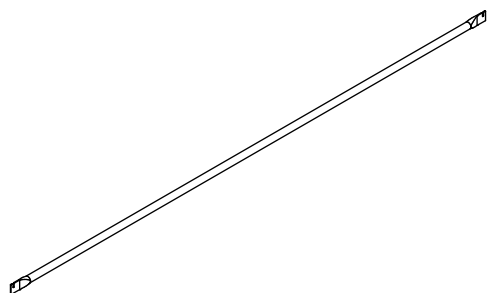
5 Headboard x2  
(937x419mm)



8 Side Rail x1  
(1894mm)



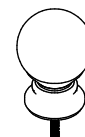
13 Rear Guard Rail x1  
(1941 x 510mm)



14a Slat x 16  
(914mm)

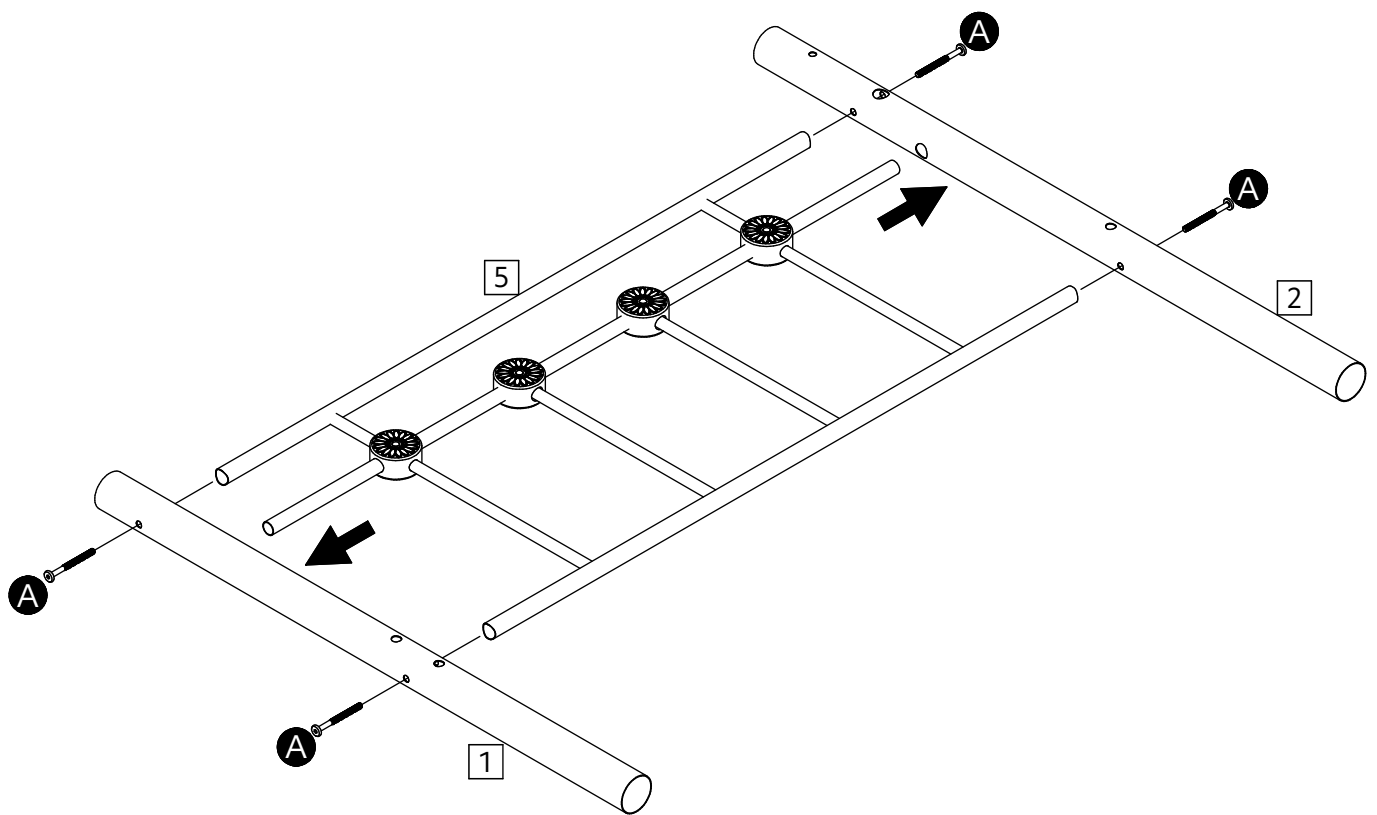
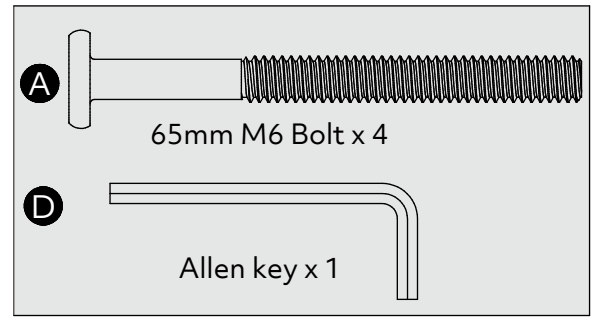
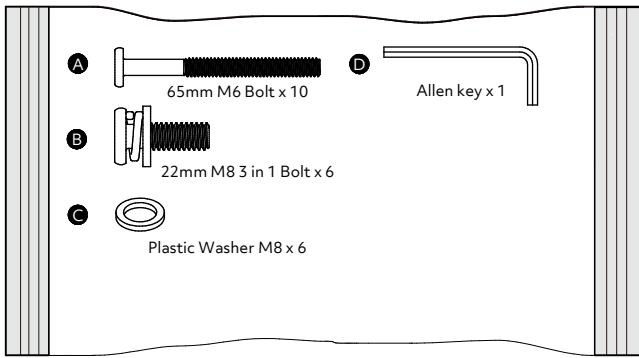


15 Plastic Plug x 32  
(12x14mm)

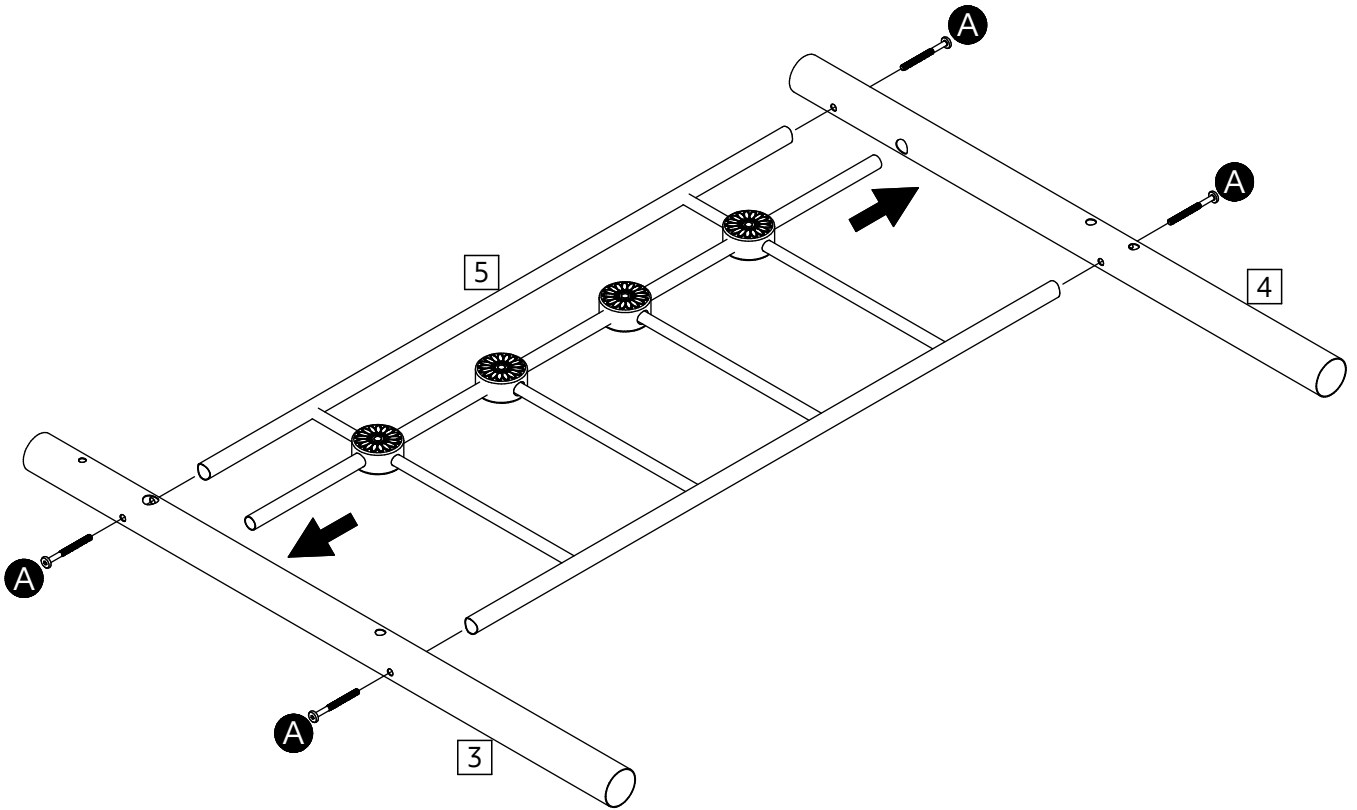
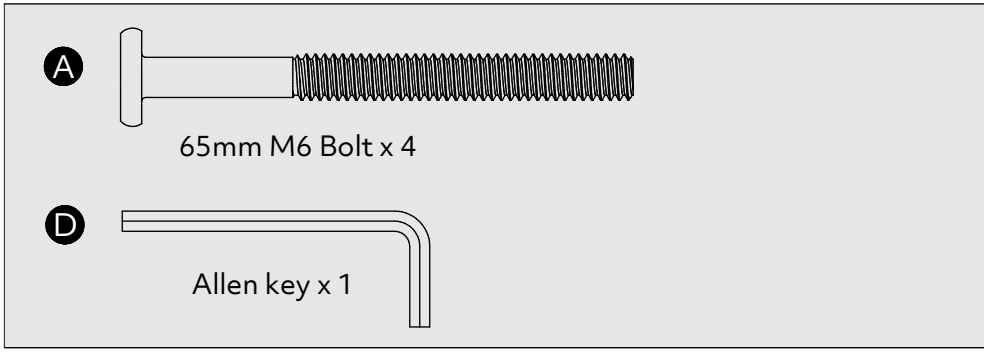


28 Ball x 4  
(Ø60mm)

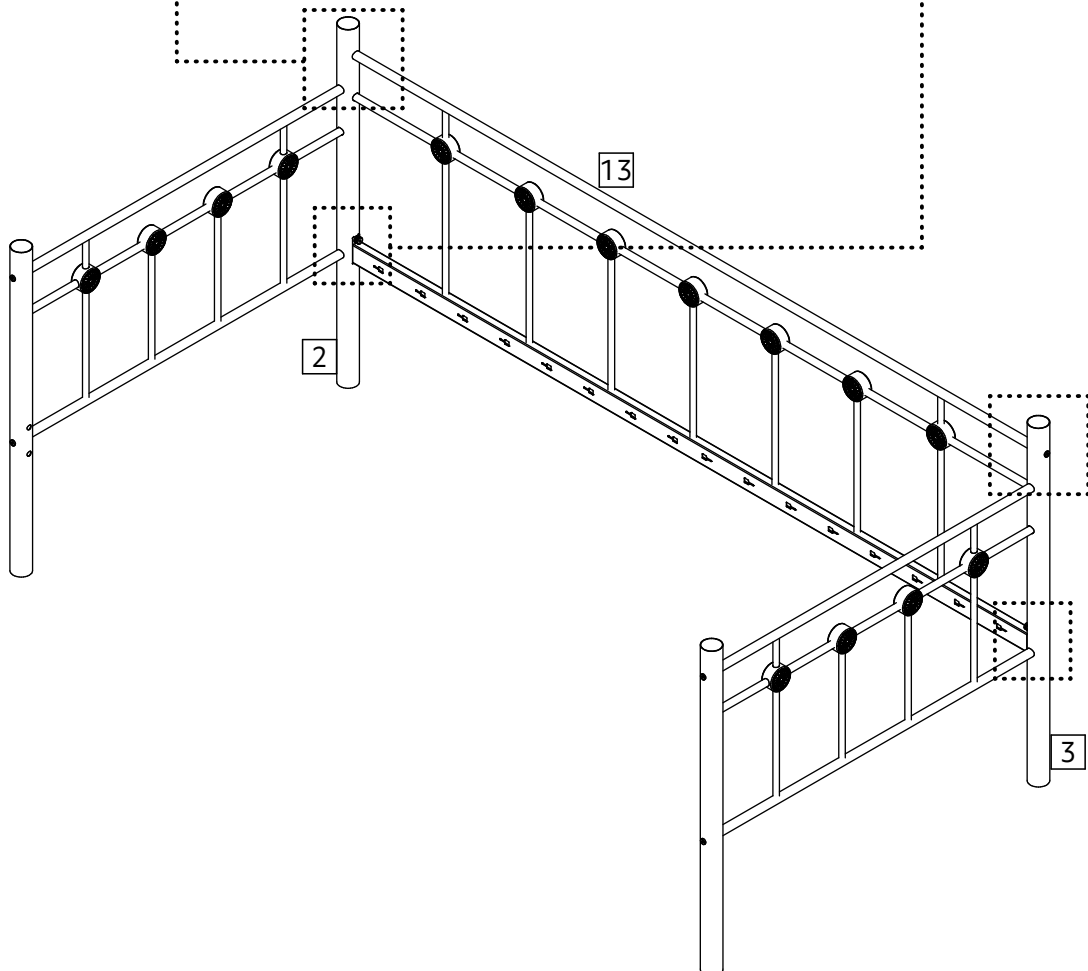
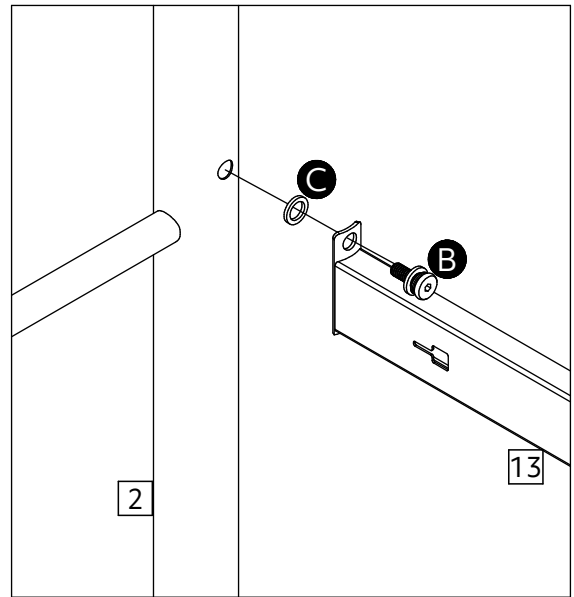
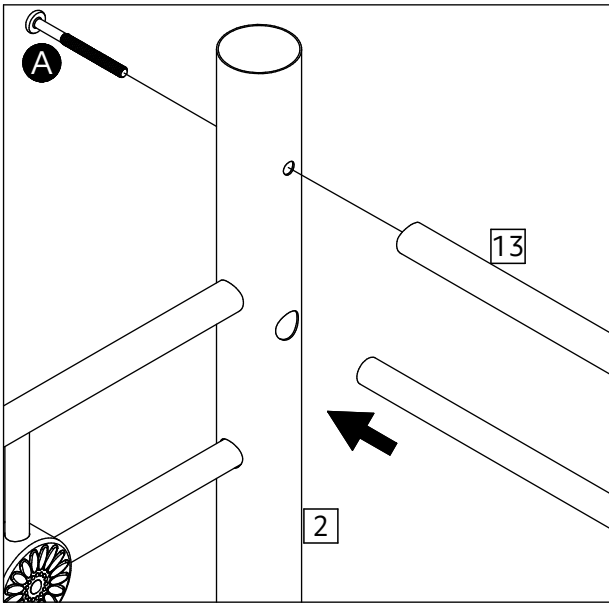
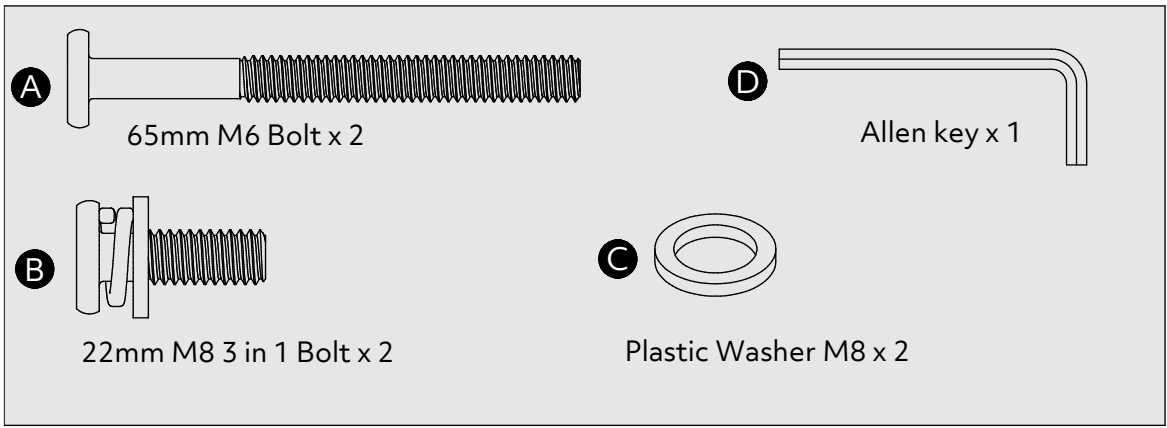
# 1



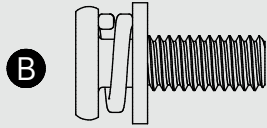
# 2



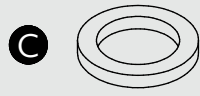
# 3



# 4



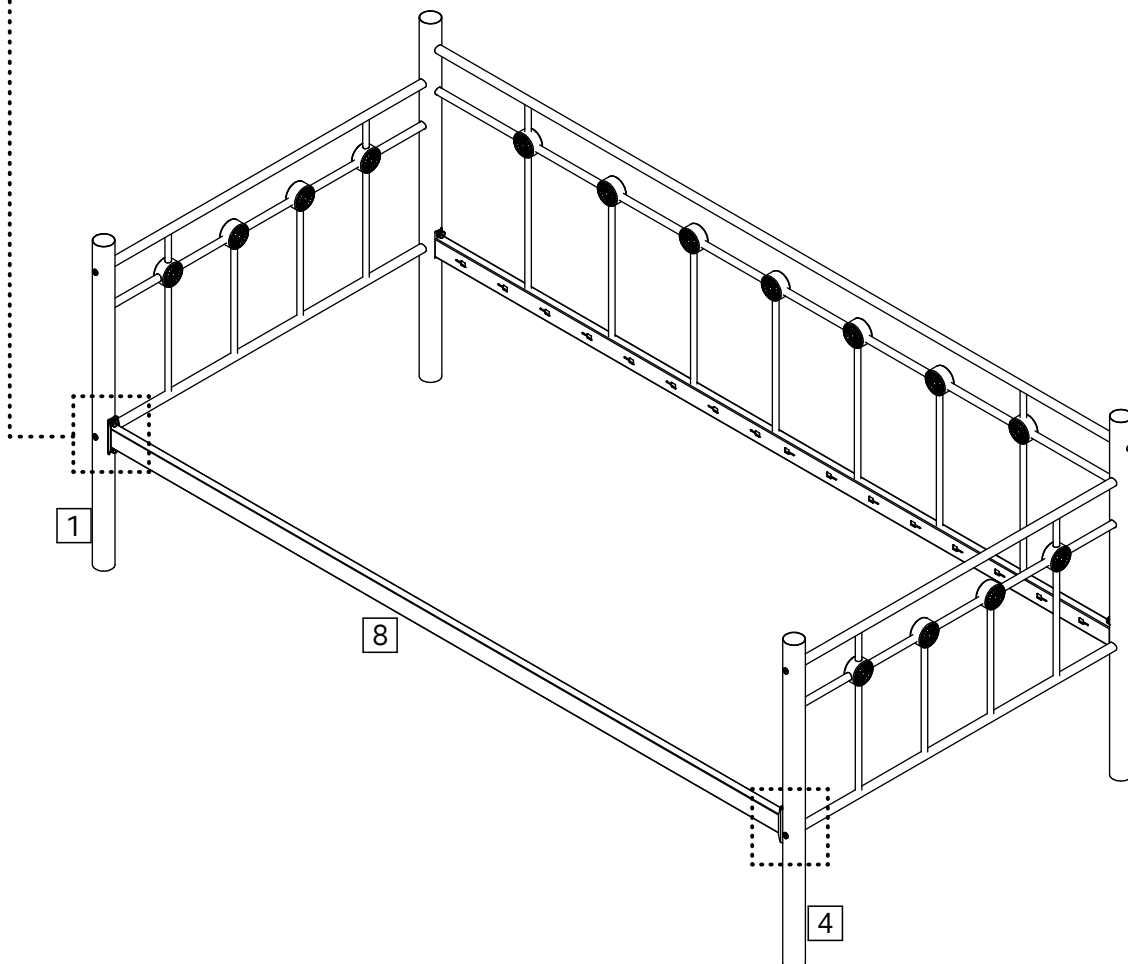
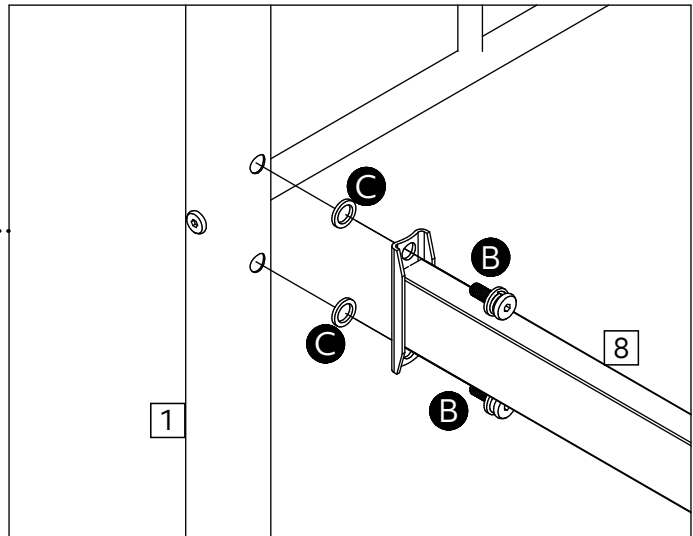
22mm M8 3 in 1 Bolt x 4



Plastic Washer M8 x 4

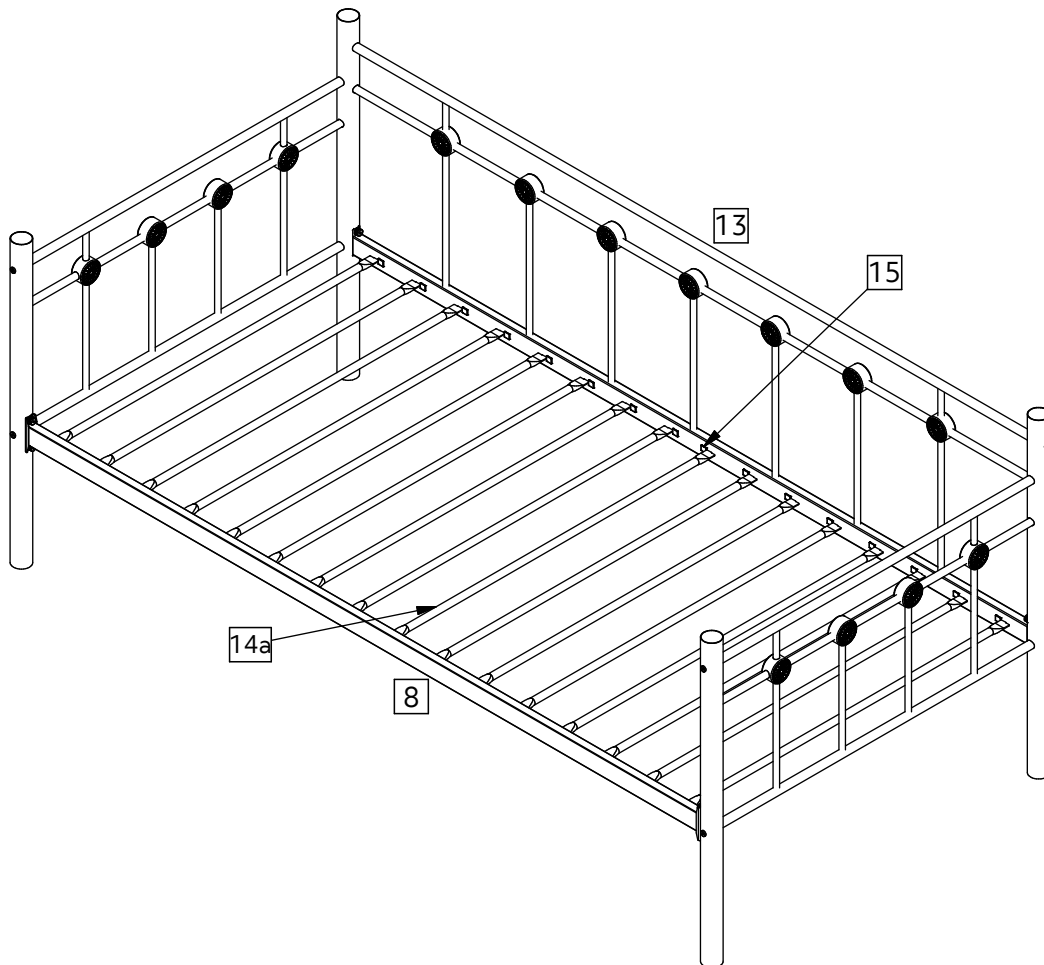
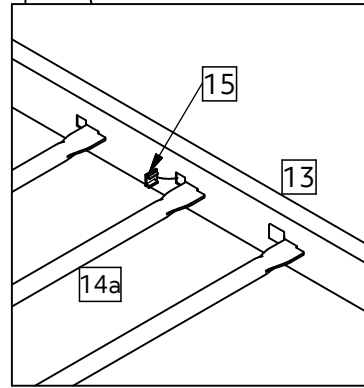
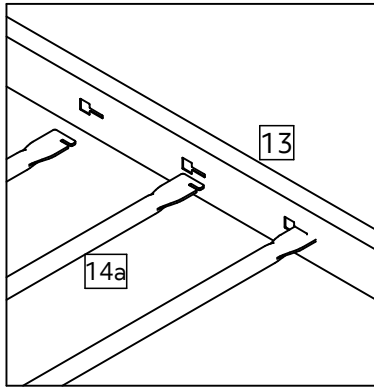
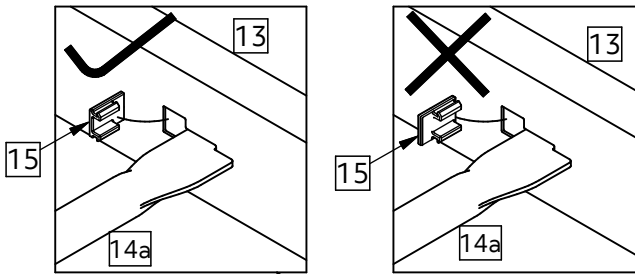


Allen key x 1

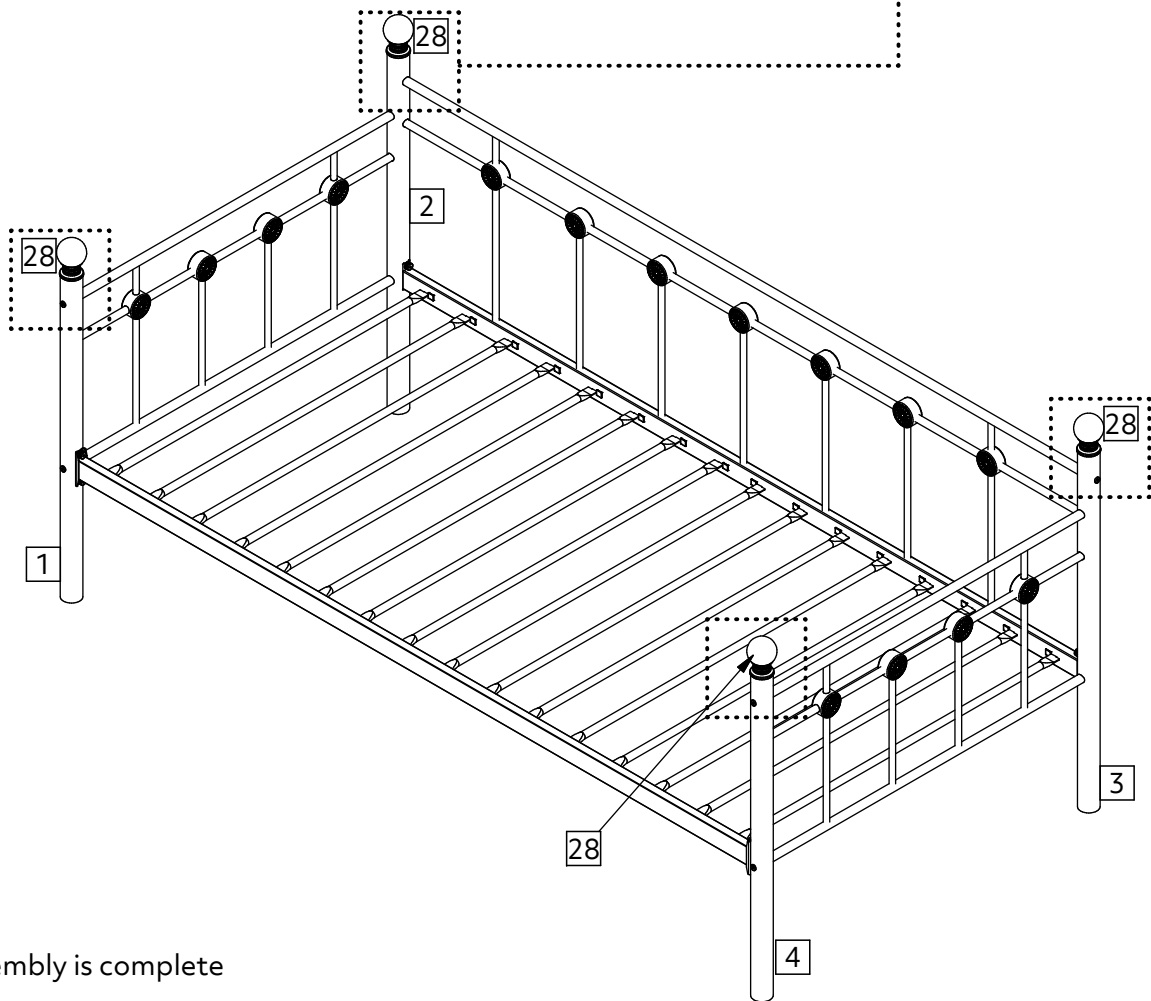
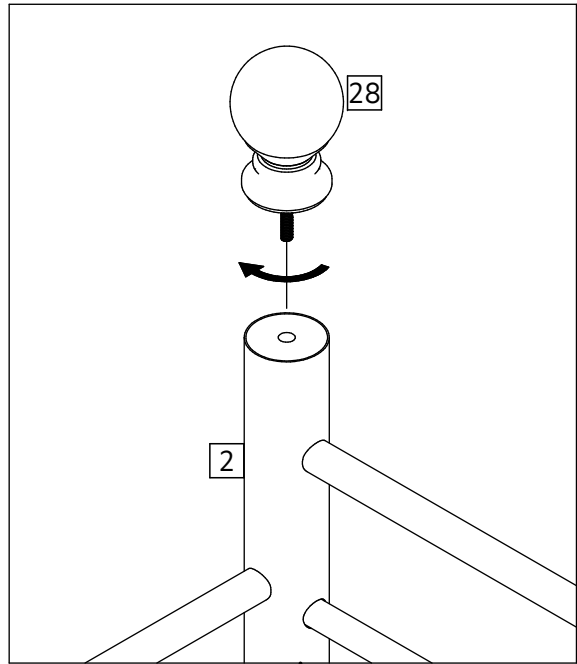




# 5



# 6



Assembly is complete

Fully tighten all the bolts to finish the assembly.