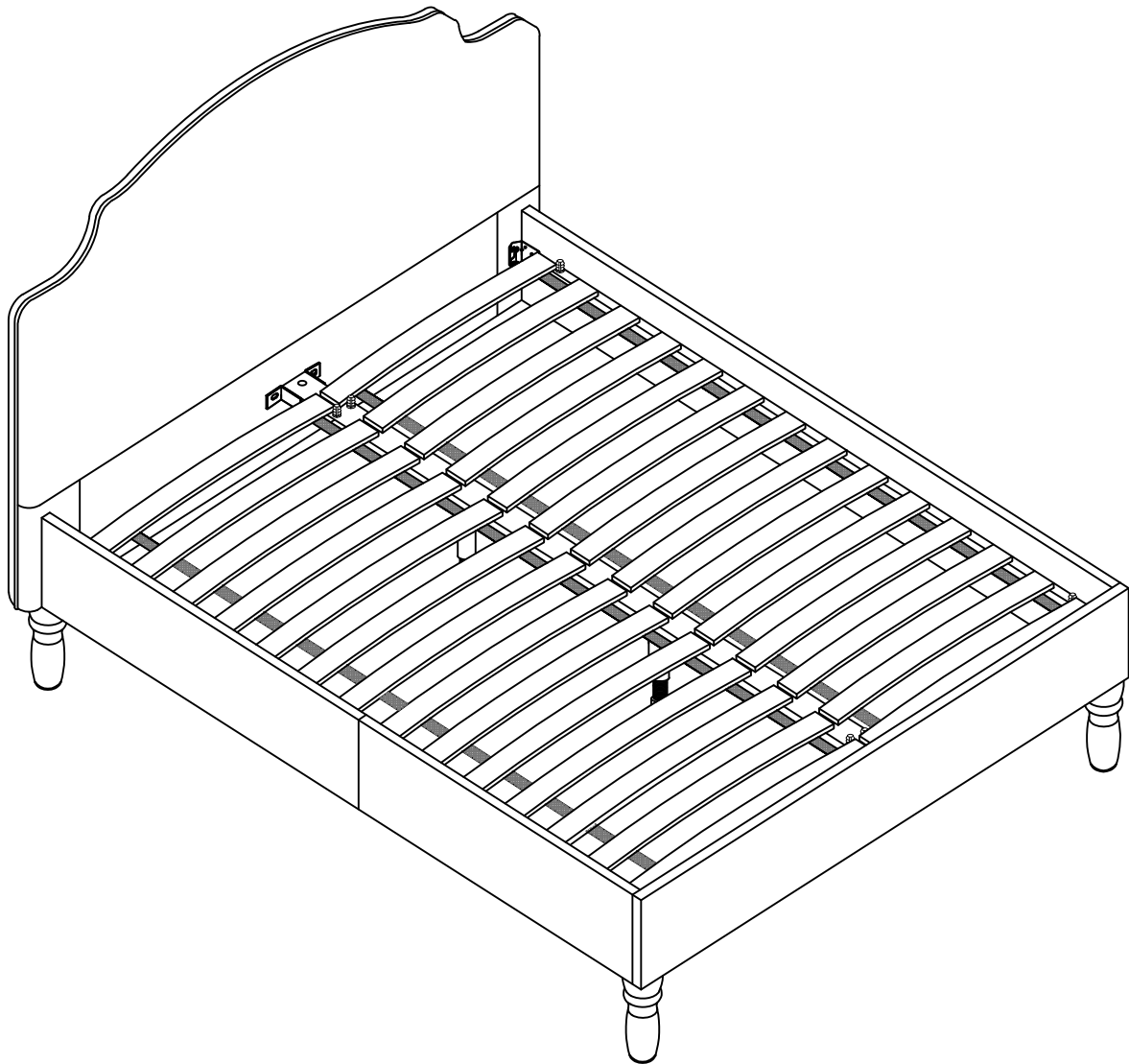





Sophia King Bed

habitat 



Spare Parts

-  www.argos-support.co.uk
-  Help@ClickSpares.co.uk
-  0370 112 1928

Customer Support

 0345 640 2020



Safety and Care Advice

Product Details

Sophia King Bed Orange 1975268
Sophia King Bed Charcoal 1979903

IMPORTANT, RETAIN FOR FUTURE REFERENCE: READ CAREFULLY.

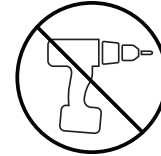
- Keep children and animals away from the work area, small parts could choke if swallowed.

- Make sure you have enough space to layout the parts before starting.

- This product has been constructed to be used in the domestic environment only and not for commercial purposes.

- Assemble the item as close to its final position (in the same room) as possible.

- Assemble on a soft level surface to avoid damaging the unit or your floor.



- We do not recommend the use of power drill/drivers for inserting screws as this could damage the unit. Only use hand screwdrivers.

- Parts of the assembly will be easier with 2 people.

- Dispose of all packaging carefully and responsibly.

Care and maintenance

- Only clean using a damp cloth and mild detergent. Do not use abrasive cleaners.

- Use a dry cloth to clean the product, furniture polish is not recommended.

- From time to time check that there are no loose screws, nuts or bolts. If there are please re-tighten.

- This product should not be discarded with household waste. Take to your local authority waste disposal centre.

Additional Guidance

- Assemble all parts and bolts loosely during assembly, only once the product is complete should you fully tighten the bolts.

- Regularly check and ensure that all bolts and fittings are tightened properly.

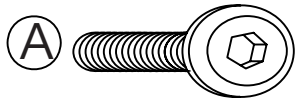
- Max individual user weight 100kg

- This product complies with BS EN 1725:1998

- Any additional or replacement parts are obtained from the manufacturer.

Fittings (Shown to scale)

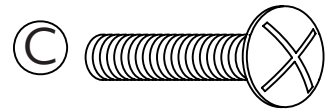
Bag 1



18mm Bolt x 4



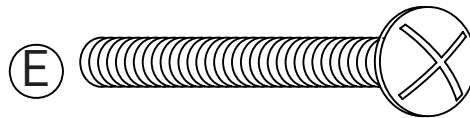
Flat Washer x 16



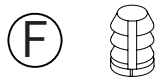
20mm Big Bolt x 14



Allen Key x 1



M8 x 40mm Big Bolt x 2



Plastic nuts x 8



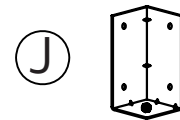
M6 x 35mm Small Bolt x 4



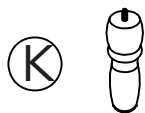
M6 x 40mm Small Bolt x 4



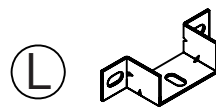
Stick felts x 4



Bracket x 2

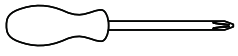


Feet x 4

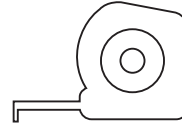


Bracket x 2

Tools required

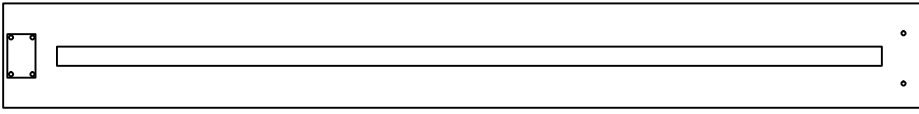


Phillips screwdriver
(small & medium)

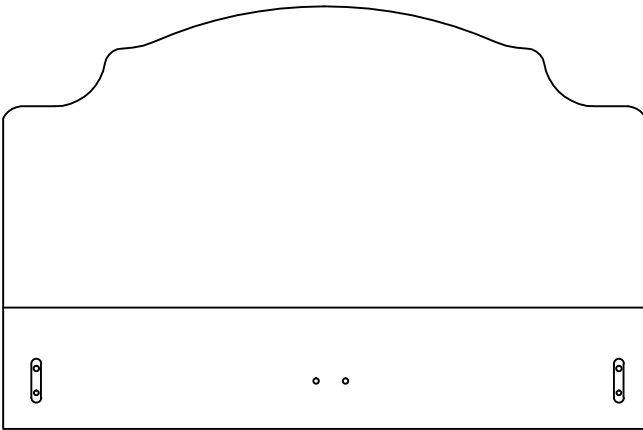


Ruler/tape
measure

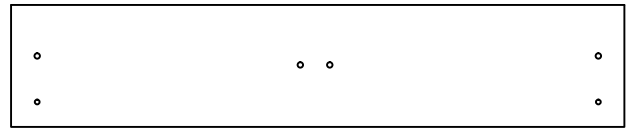
Panels



1 Side rail x 2 (2030 x 170mm)



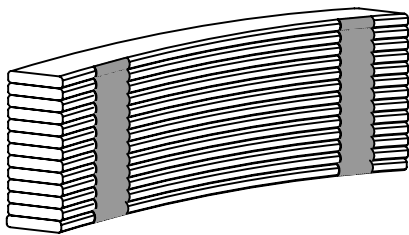
2 Headboard (1655 x 1030mm)



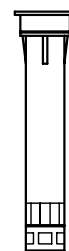
3 Footboard (1585 x 175mm)



4 Central support rail (2020 x 50mm)

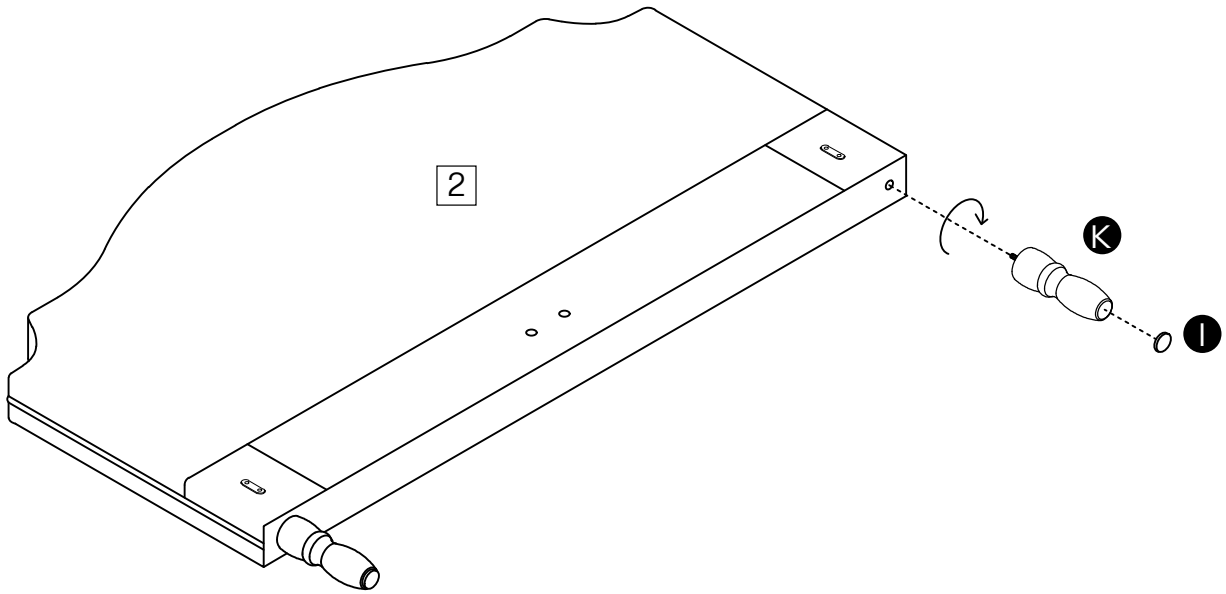
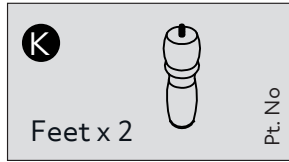
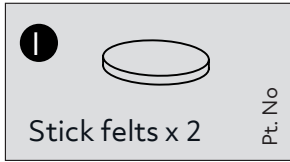


5 Slats x 2 (28pcs, 761 x 54mm)

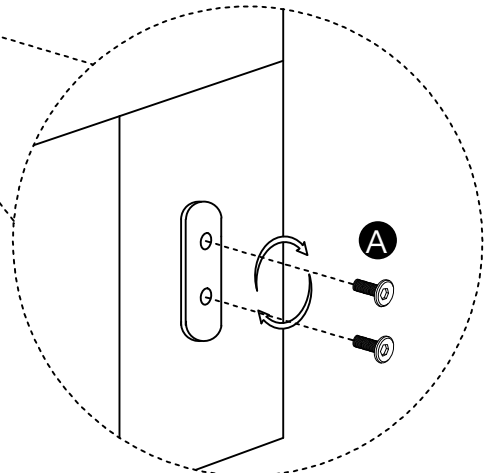
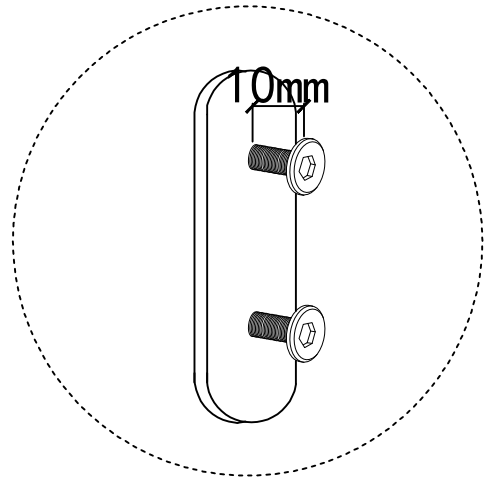
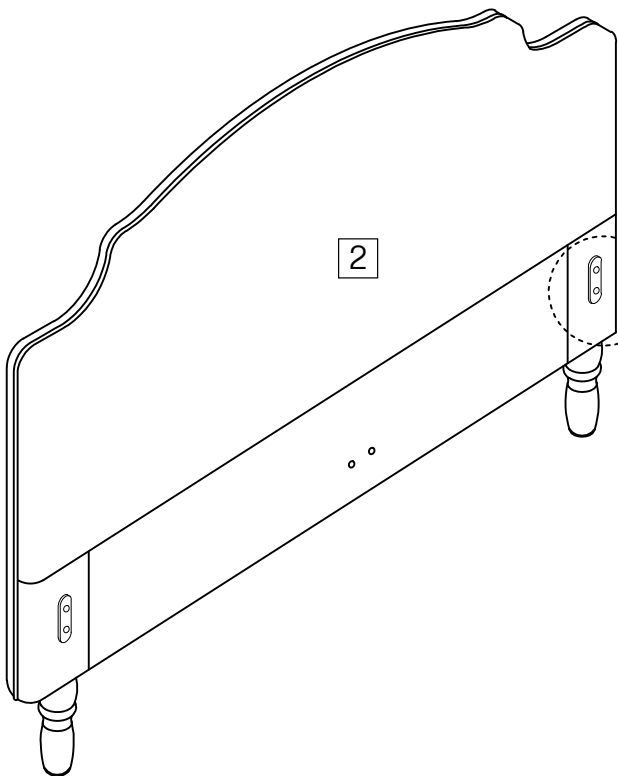
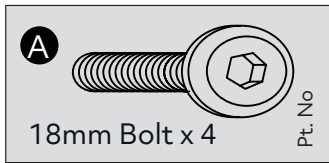


6 Feet x 2 (45 x 217mm)

1

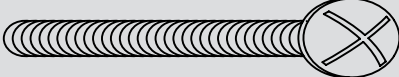


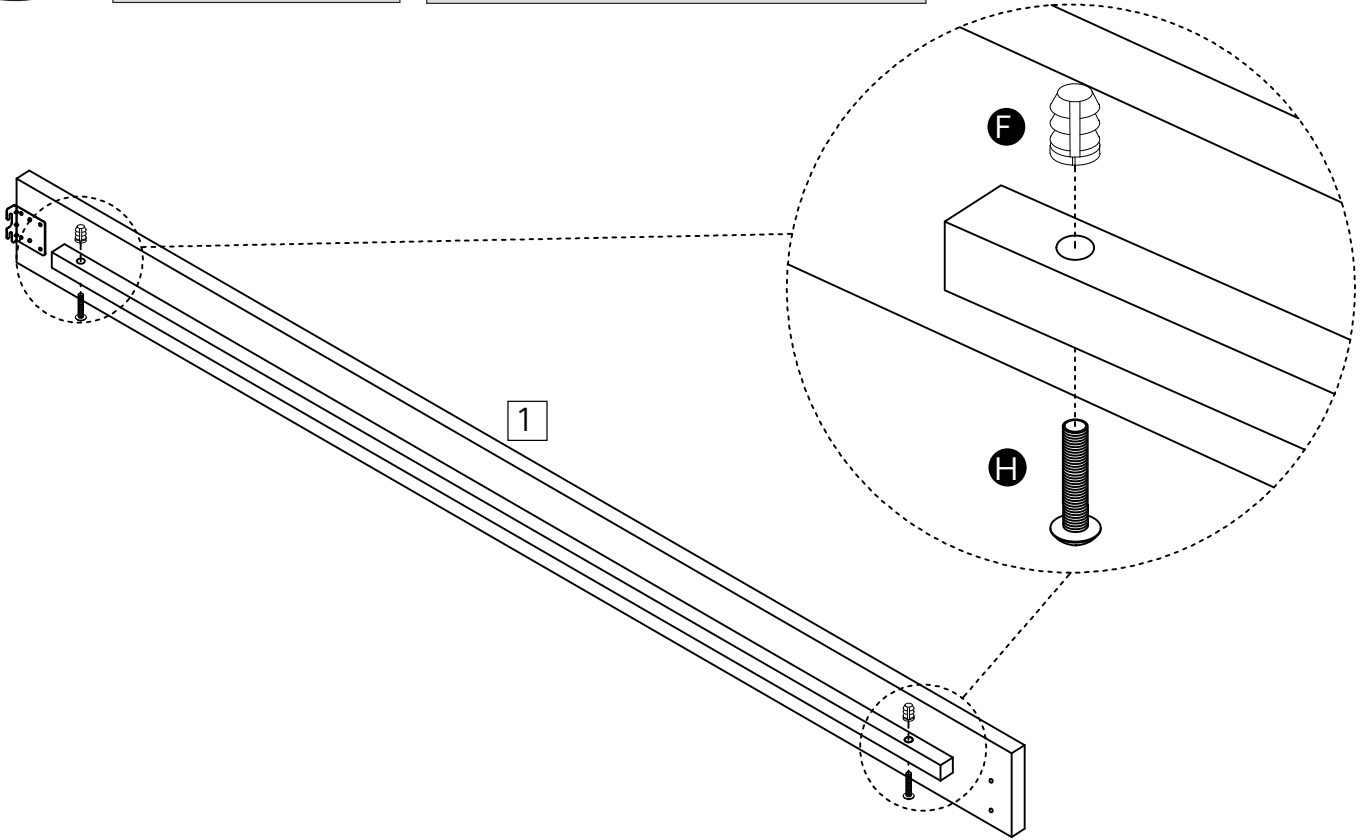
2




3


F  Plastic nuts x 4 Pt. No


H  M6 x 40mm Small Bolt x 4 Pt. No

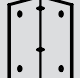



4

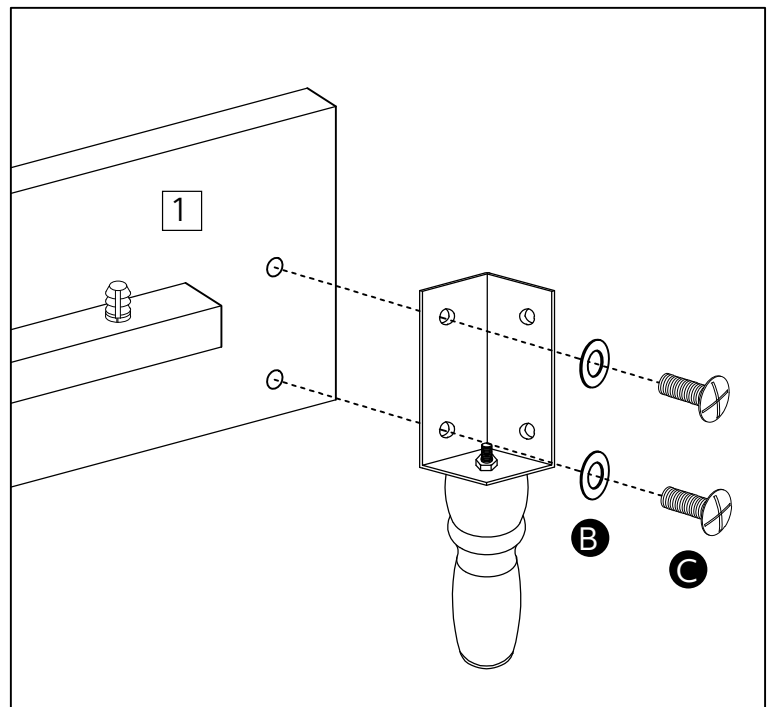
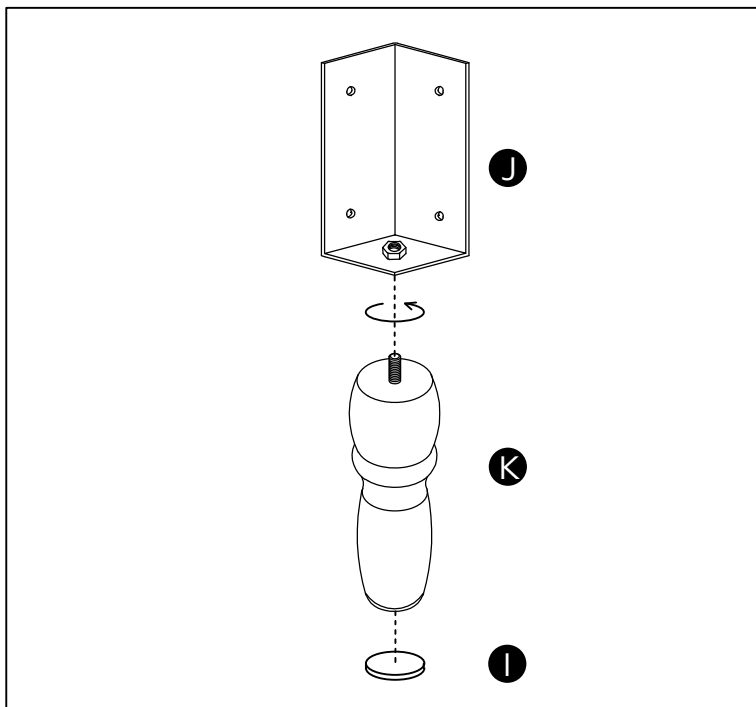
B  Flat Washer x 4 Pt. No

C  20mm Bolt x 4 Pt. No


I  Stick felts x 2 Pt. No

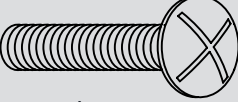
J  Bracket x 2 Pt. No


K  Feet x 2 Pt. No

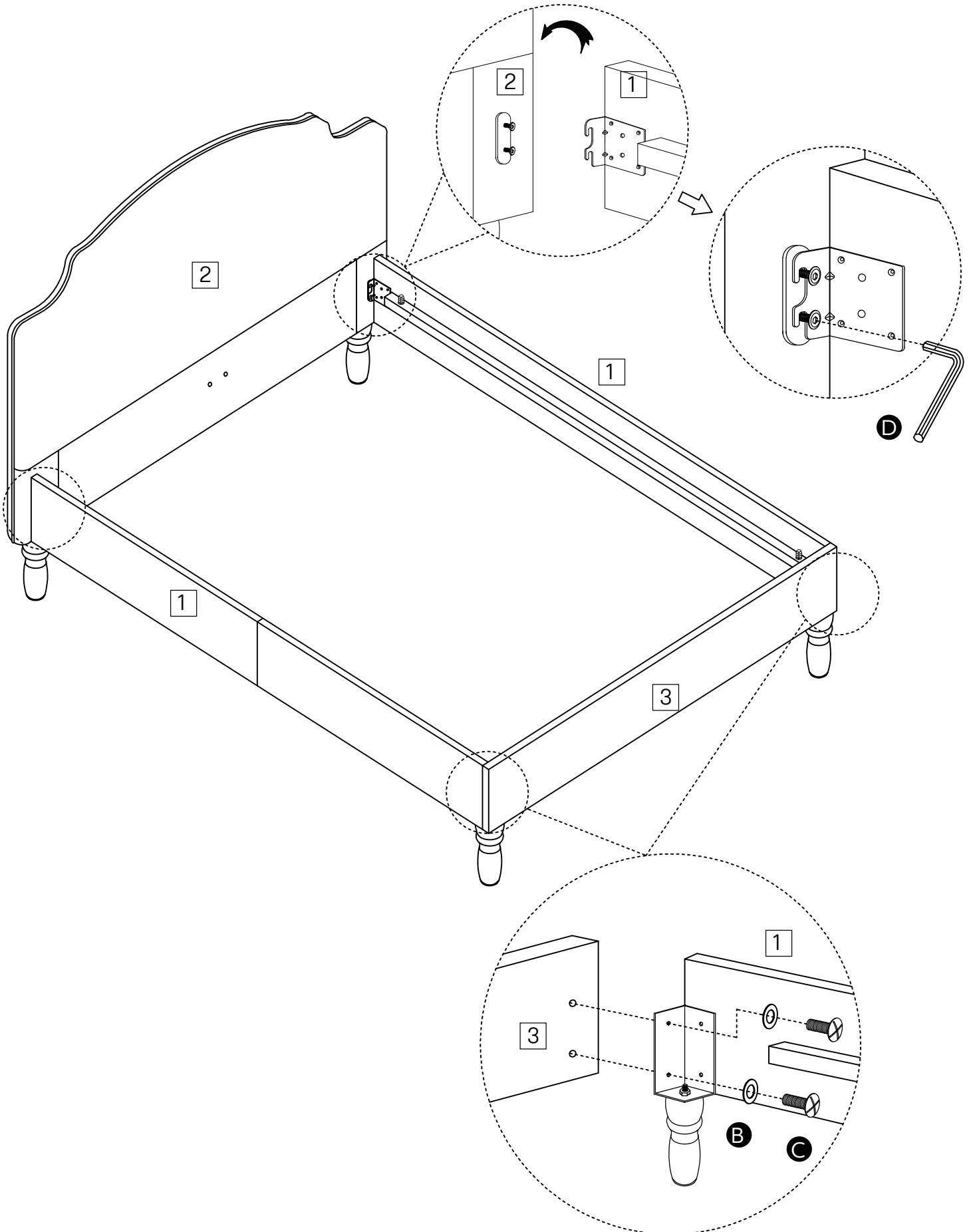


5


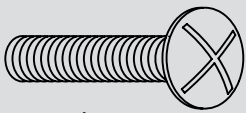


B  Flat Washer x 4
Pt. No

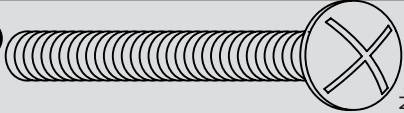

C  20mm Bolt x 4
Pt. No

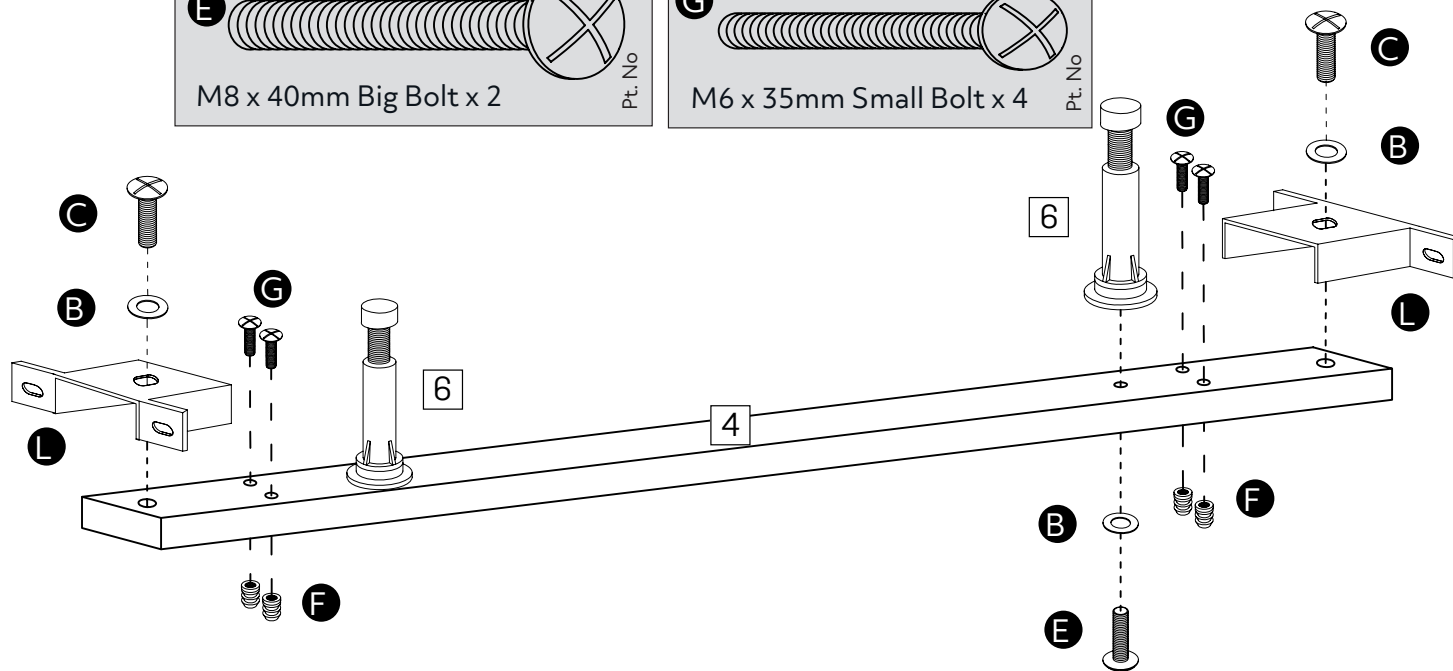
D  Allen key x 1
Pt. No




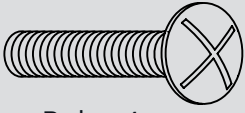
6

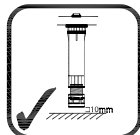
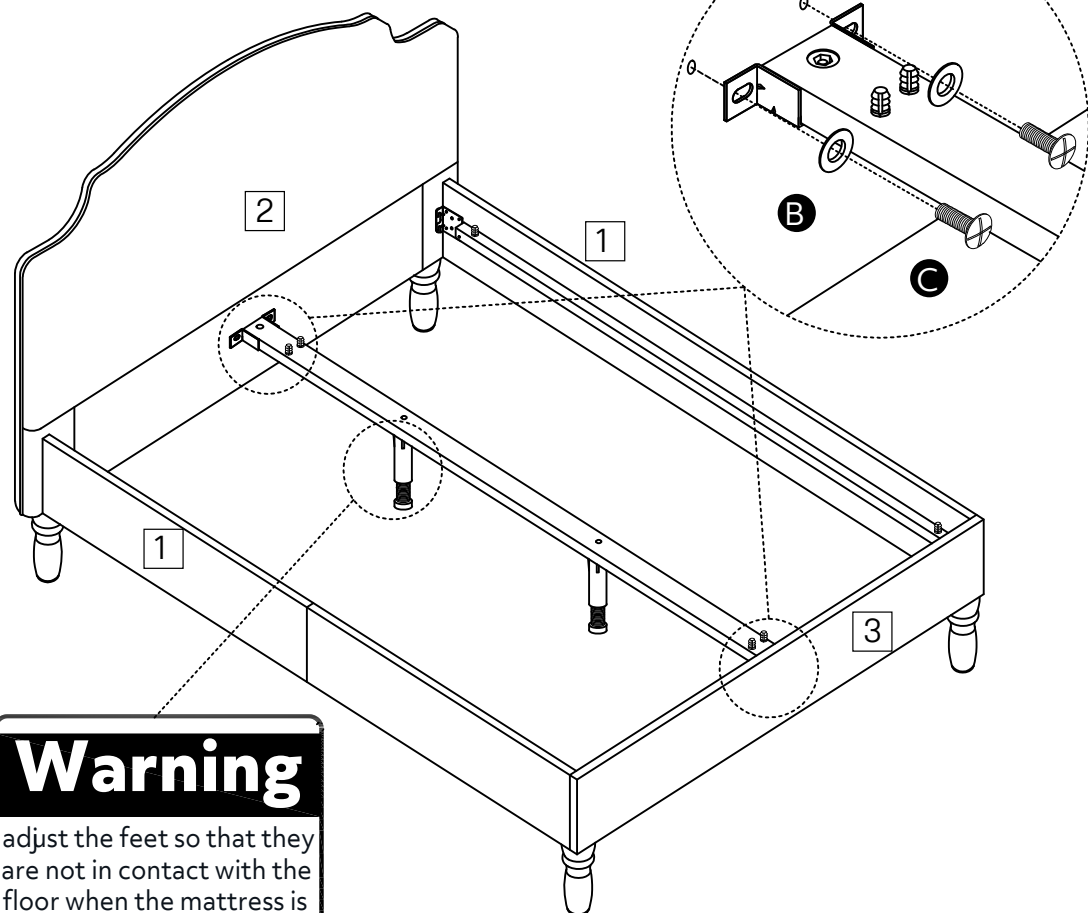
- B**  Flat Washer x 4 Pt. No
- C**  20mm Bolt x 2 Pt. No
- L**  Bracket x 2 Pt. No
- F**  Plastic nuts x 4 Pt. No

- E**  M8 x 40mm Big Bolt x 2 Pt. No
- G**  M6 x 35mm Small Bolt x 4 Pt. No



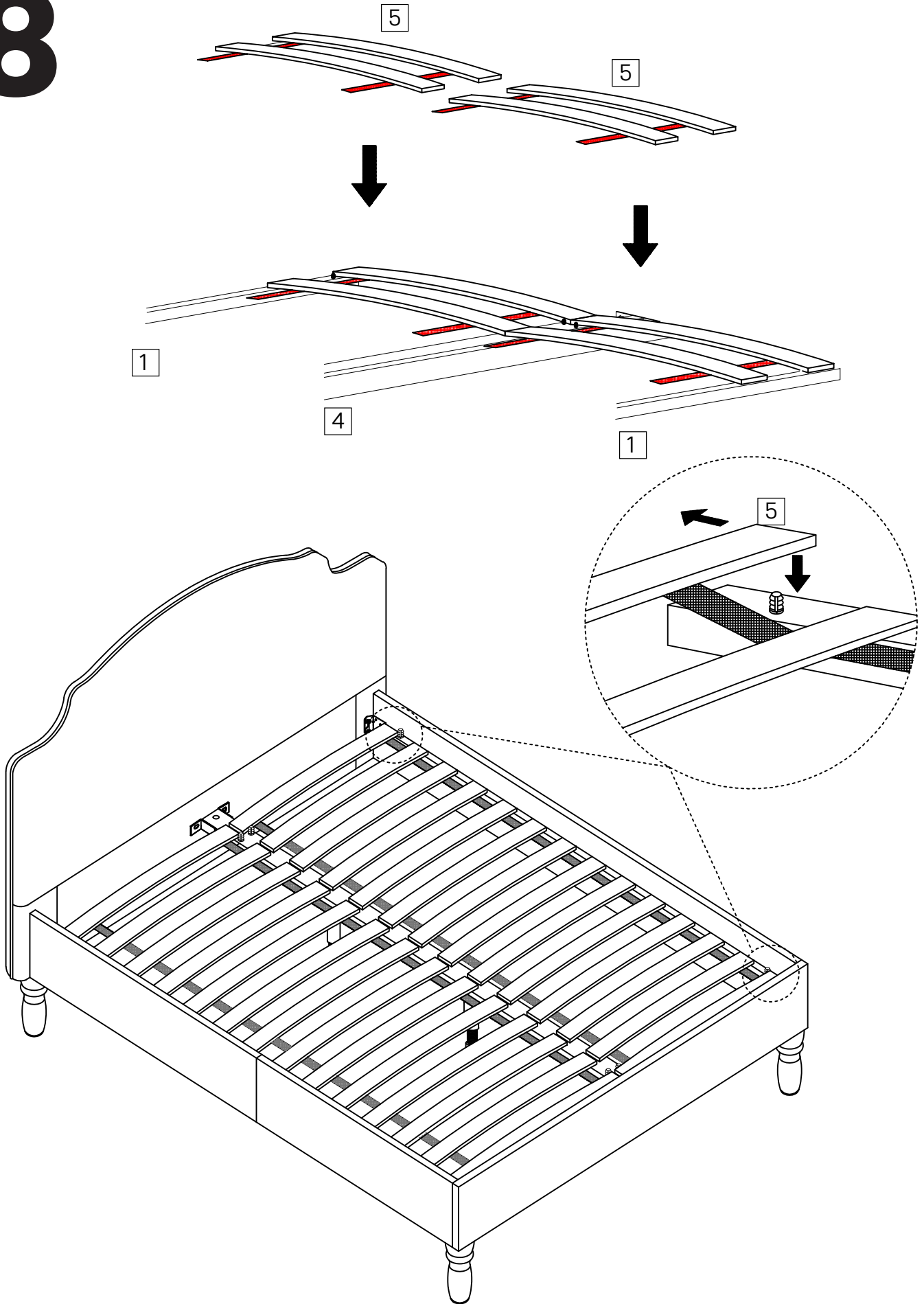
7

- B**  Flat Washer x 4 Pt. No
- C**  20mm Bolt x 4 Pt. No



Warning
 adjust the feet so that they are not in contact with the floor when the mattress is in place. There should be a 10mm (1/2 inch) gap.

8



Fully tighten all the bolts to complete assembly