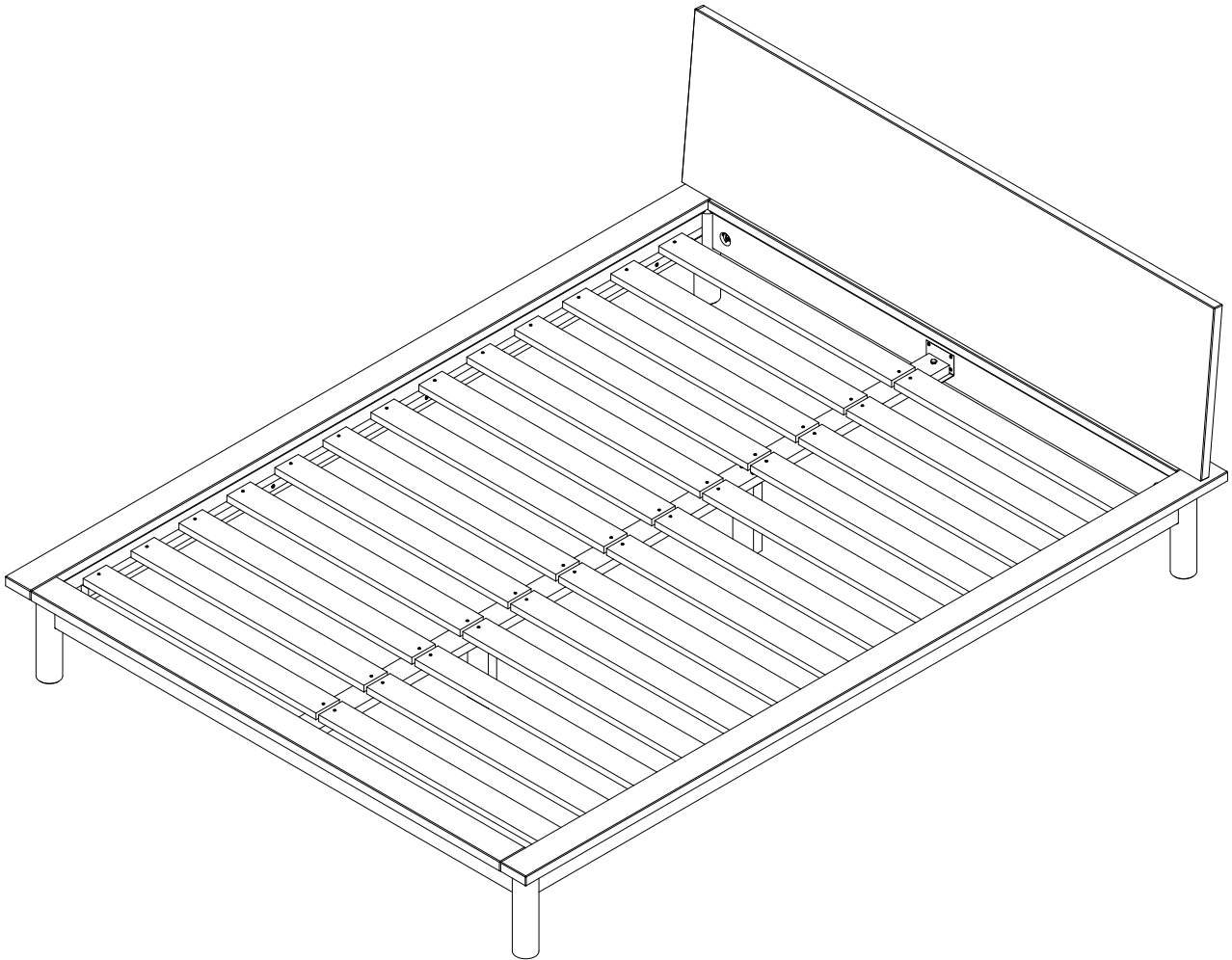


Akio

habitat




Spare Parts

 www.argos-support.co.uk

 Help@ClickSpares.co.uk

 0370 112 1928

Customer Support

 0345 640 2020



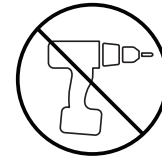
Safety and CareAdvice

Product Details King Bed Natural 197/2003
King Bed Black 202/6422

IMPORTANT, RETAIN FOR FUTURE REFERENCE: READ CAREFULLY.

- Keep children and animals away from the work area, small parts could choke if swallowed.
- Make sure you have enough space to layout the parts before starting.
- This product has been constructed to be used in the domestic environment only and not for commercial purposes.

- Assemble the item as close to its final position (in the same room) as possible.
- Assemble on a soft level surface to avoid damaging the unit or your floor.



- We do not recommend the use of power drill/drivers for inserting screws as this could damage the unit. Only use hand screwdrivers.
- Parts of the assembly will be easier with 2 people.
- Dispose of all packaging carefully and responsibly.

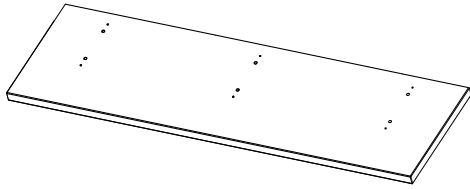
Care and maintenance

- Use a dry cloth to clean the product, furniture polish is not recommended.
- From time to time check that there are no loose screws, nuts or bolts. If there are please re-tighten.
- This product should not be discarded with household waste. Take to your local authority waste disposal centre.

Additional Guidance

- Assemble all parts and bolts loosely during assembly, only once the product is complete should you fully tighten the bolts.
- Regularly check and ensure that all bolts and fittings are tightened properly.
- Maximum user weight 100kg
- This product is compliant En1725

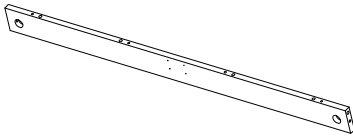
Panels



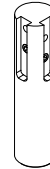
1 Headboard
(1675 x 420mm)



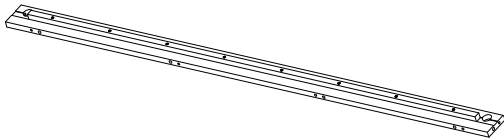
7 headboard support
(294 x 52mm) (x3)



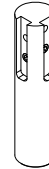
2 Headboard and Footboard rails
(1513 x 90mm) (x2)



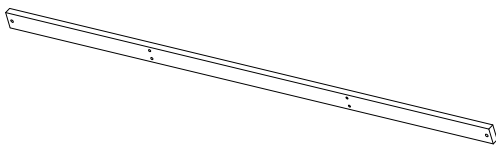
8 Left foot
(230 x 55mm) (x2)



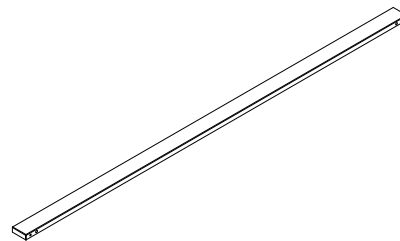
3 Side Rails
(1985 x 90mm) (x2)



9 Right foot
(230 x 55mm) (x2)



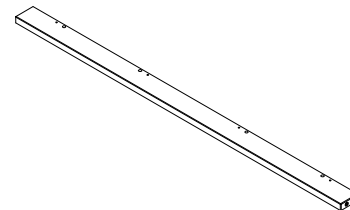
4 Central Rail
(1994 x 60mm)



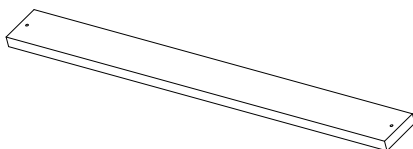
10 Side Rail Top Rail
(2150 x 75mm) (x2)



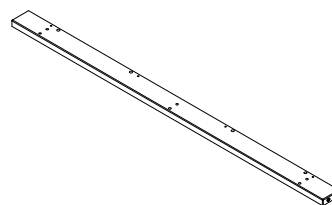
5 Support Foot (x2)
(173 x 60mm)



11 Footboard Top Rail
(1528 x 75mm)



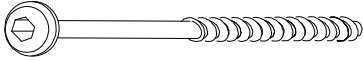
6 Slats (x26)
(755 x 68mm)



12 Headboard Top Rail
(1528 x 75mm)

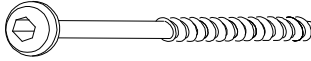
Fittings

A



100mm Bolt x 16

B



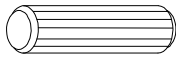
70mm Bolt x 03

C



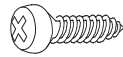
Allen Key

D



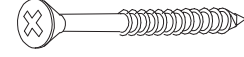
40mm Wooden dowel x 34

E



16mm Screw x 08

F



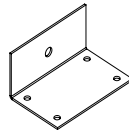
35mm Screw x 52

G



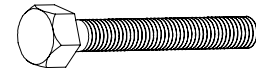
50mm Bolt x 13

H



80mm L Shaped Bracket x 02

I



40mm Bolt x 02

J



Nut x 14

L



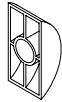
70mm Headless Bolt x 12

M



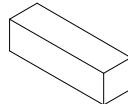
Spanner

N



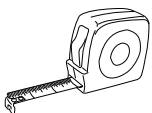
Washer x 12

O

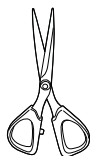


79mm Spacer x 2

Tools required



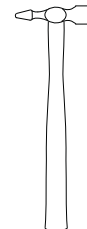
Ruler/tape measure



Scissors



Phillips screwdriver (small & medium)

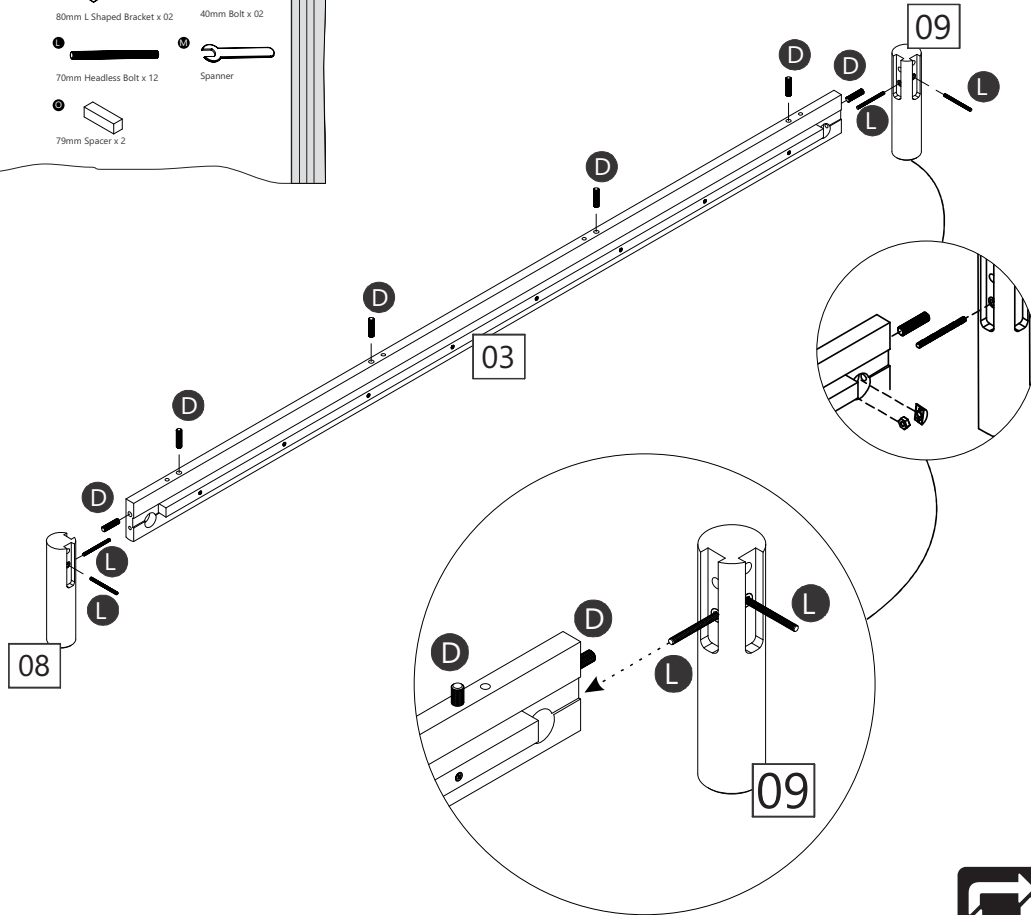
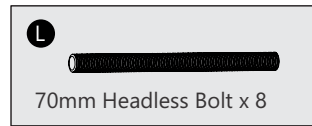
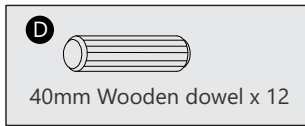
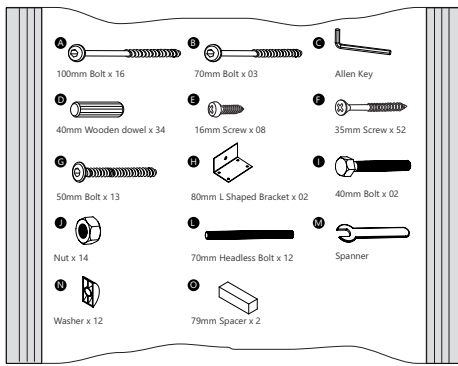


Small hammer



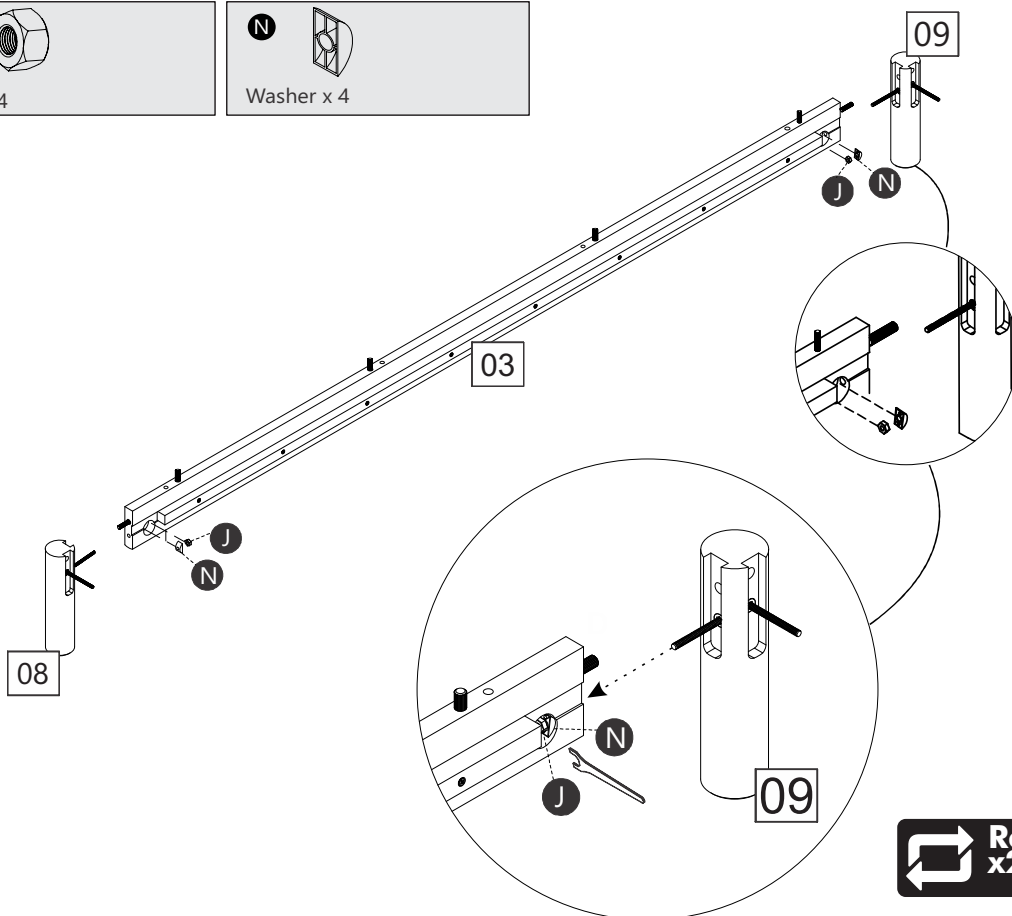
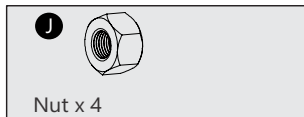
Eye protection (when using a hammer or glue)

1



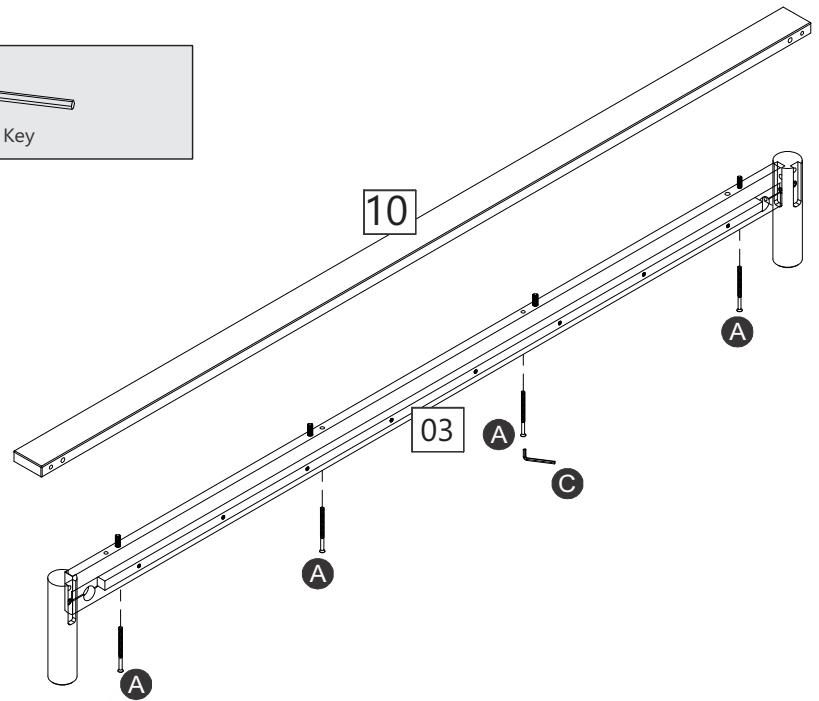
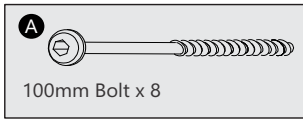
Repeat x2

2



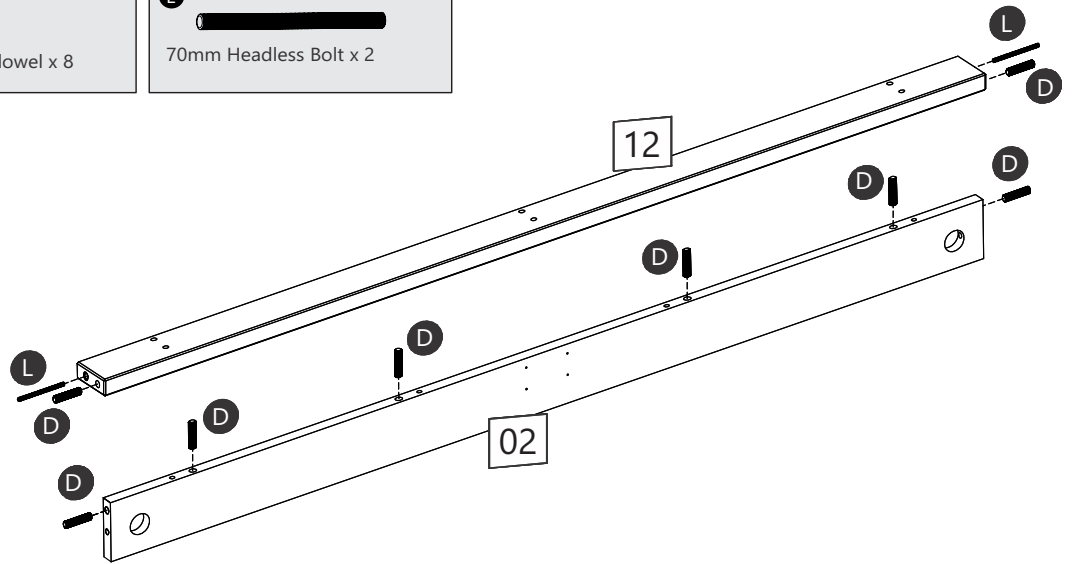
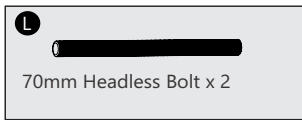
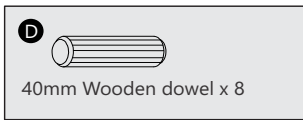
Repeat x2

3

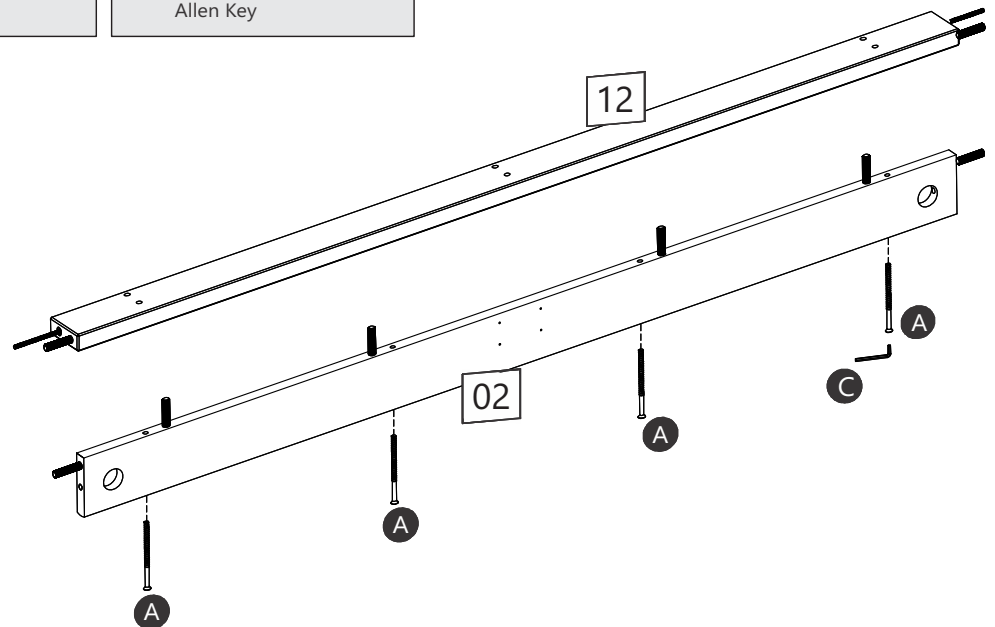
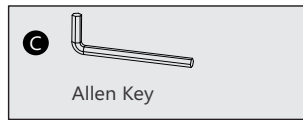
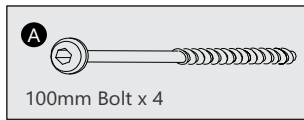


Repeat x2

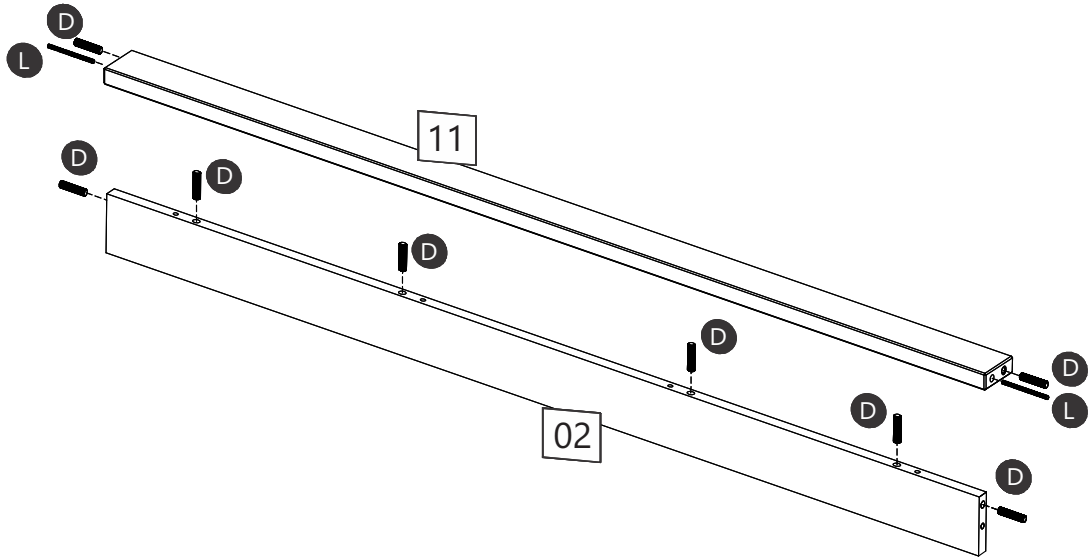
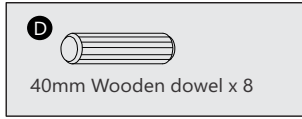
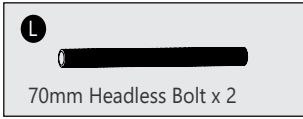
4



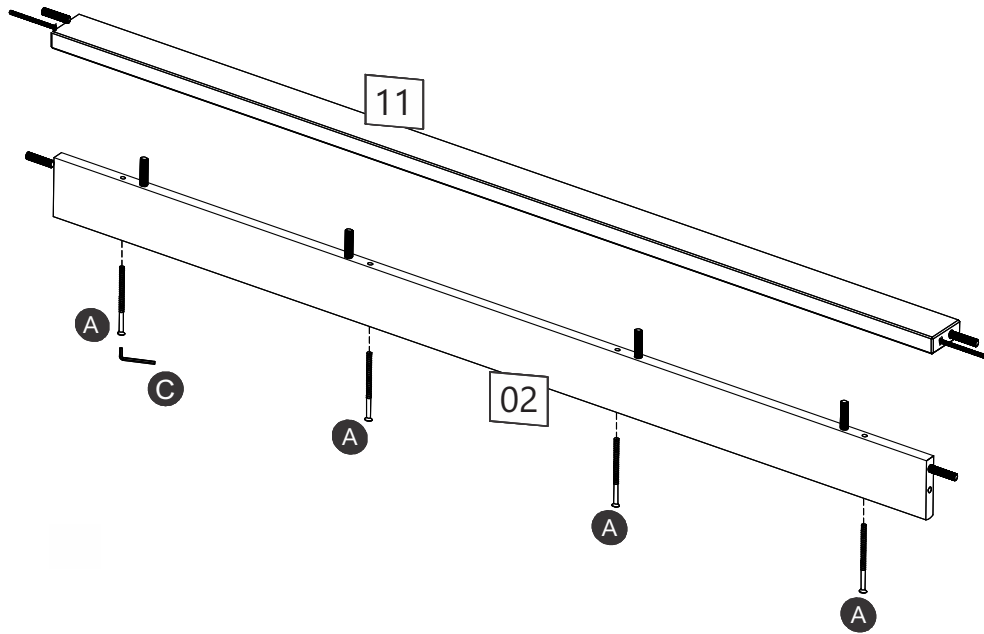
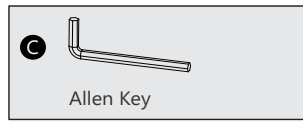
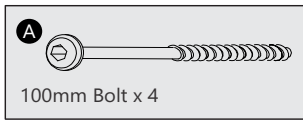
5



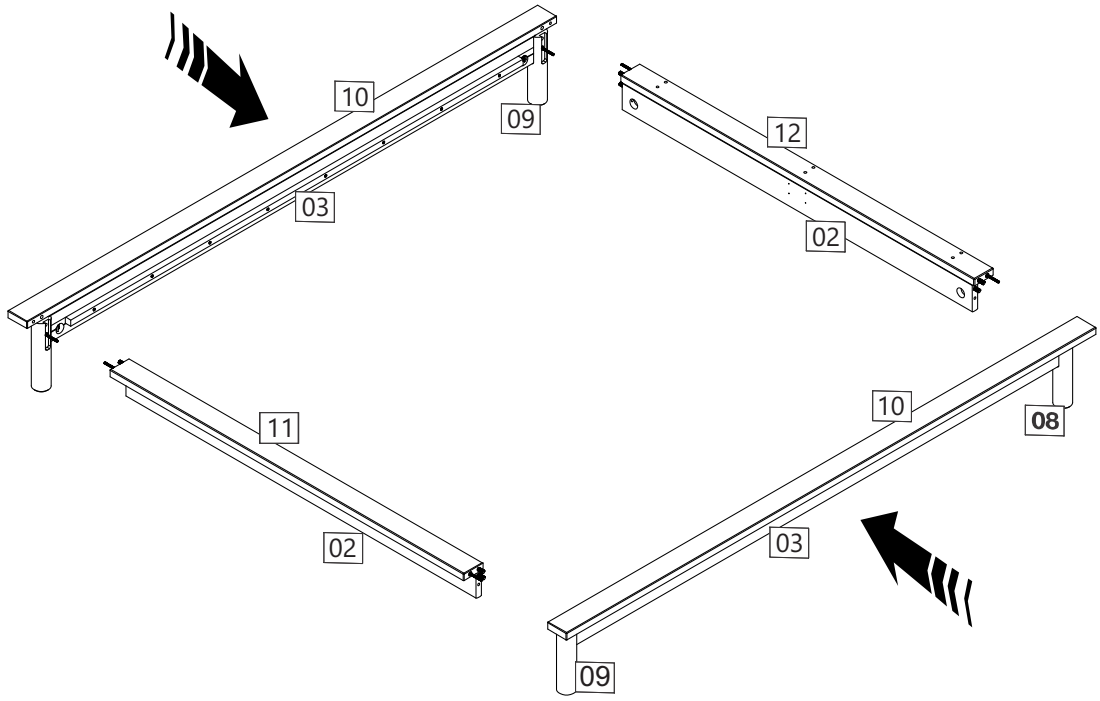
6



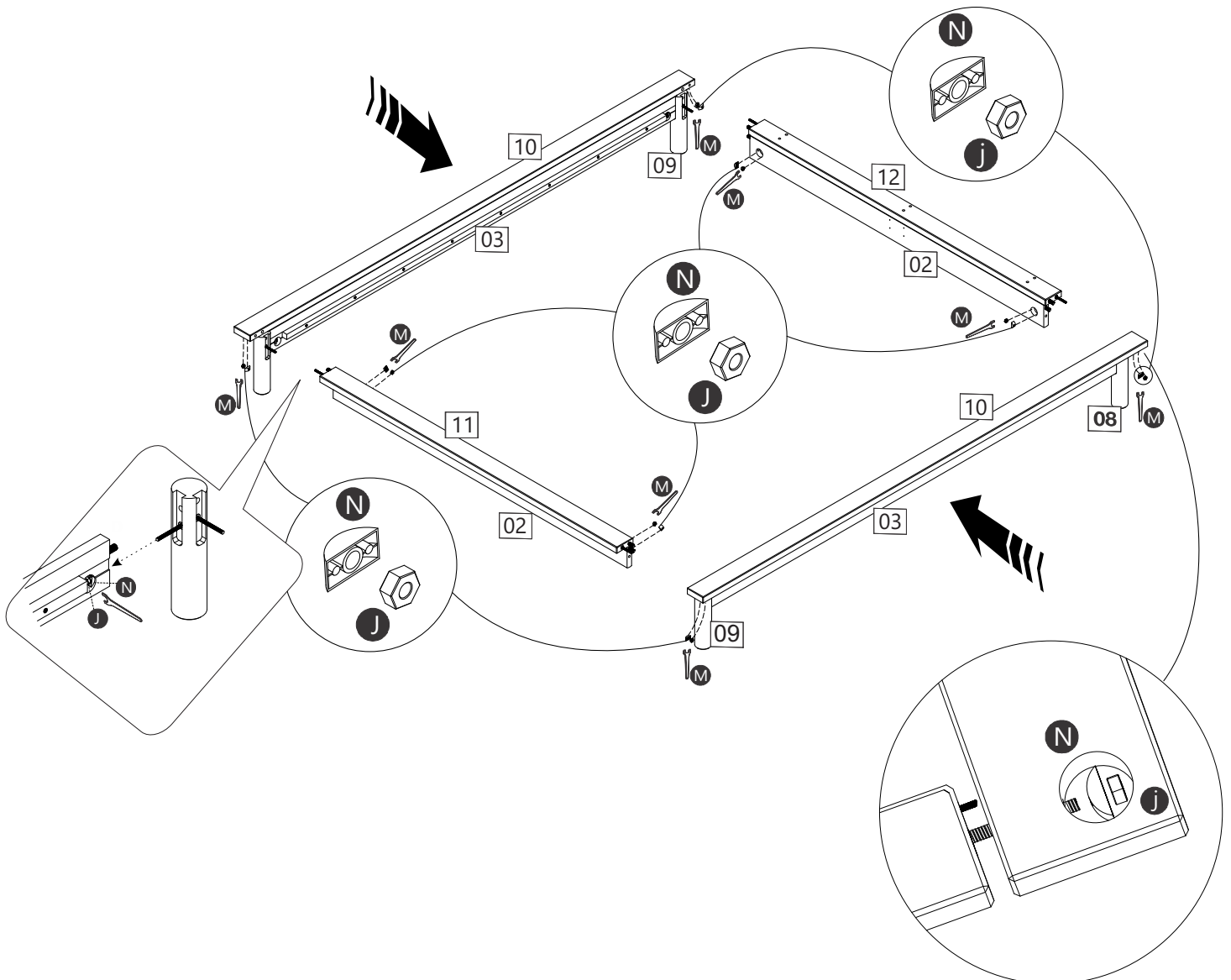
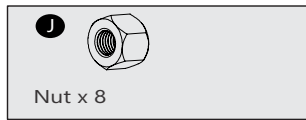
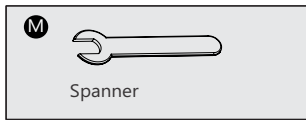
7



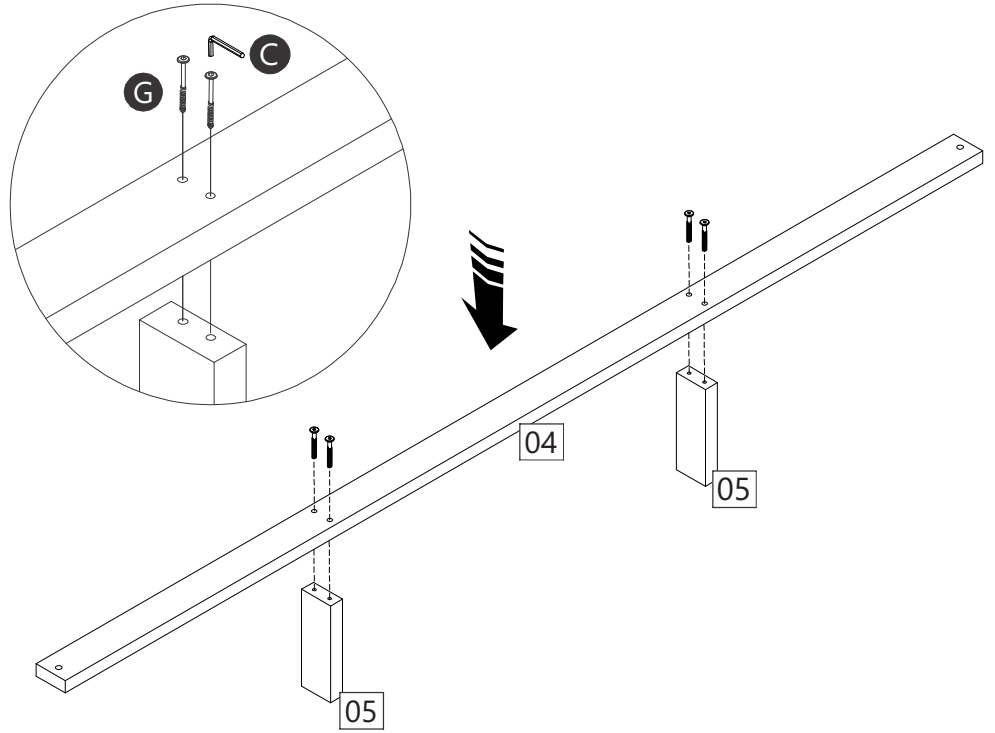
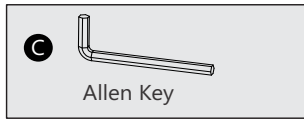
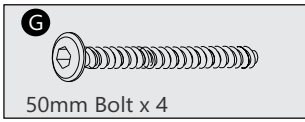
8



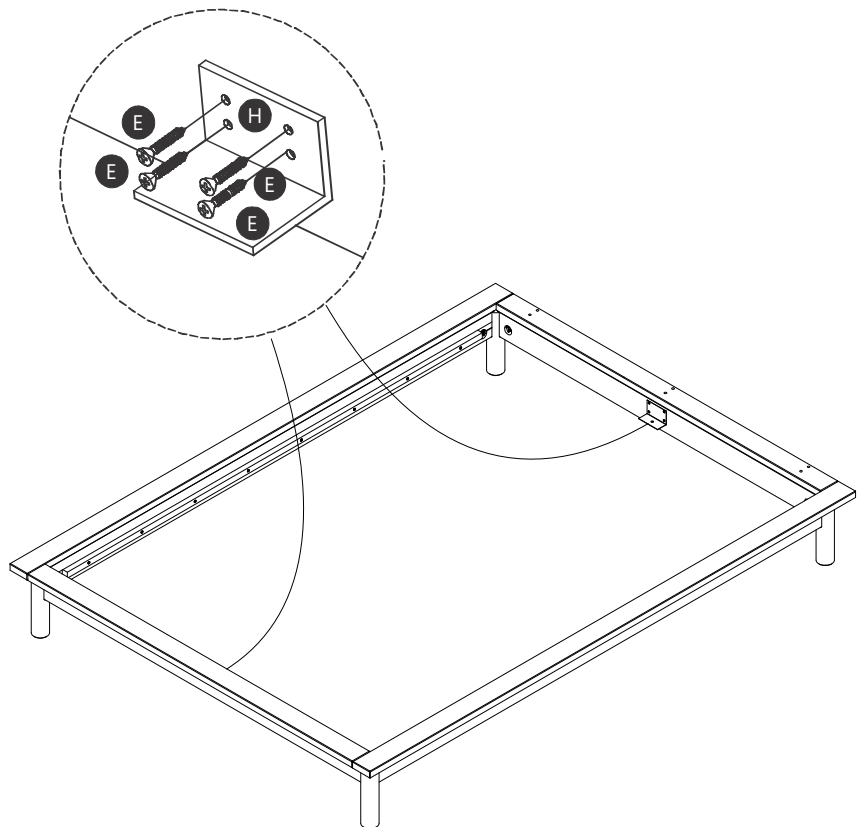
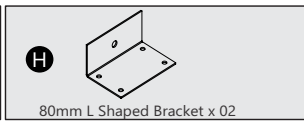
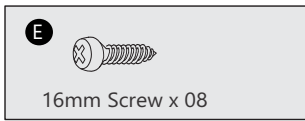
9



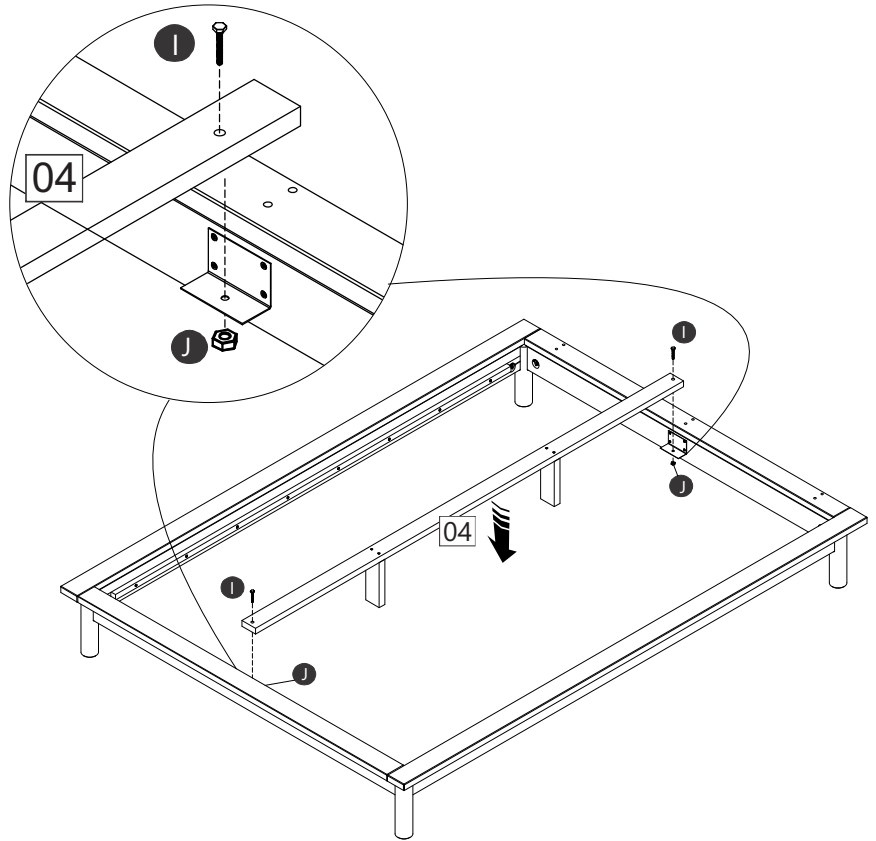
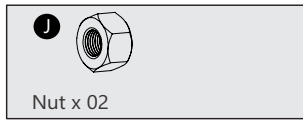
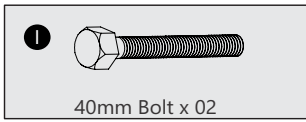
10



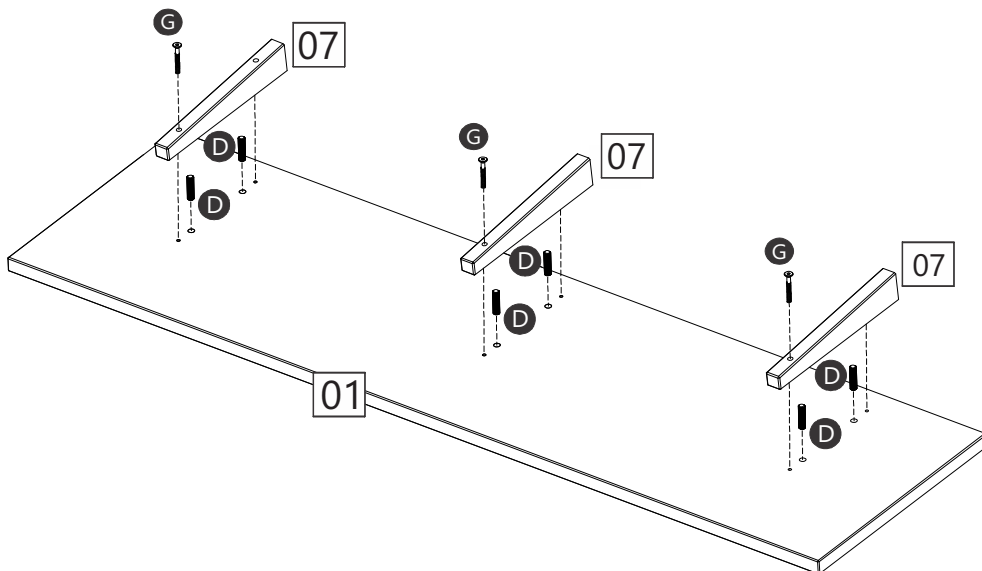
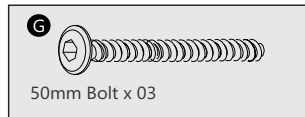
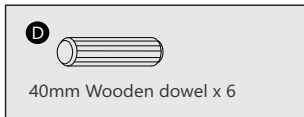
11



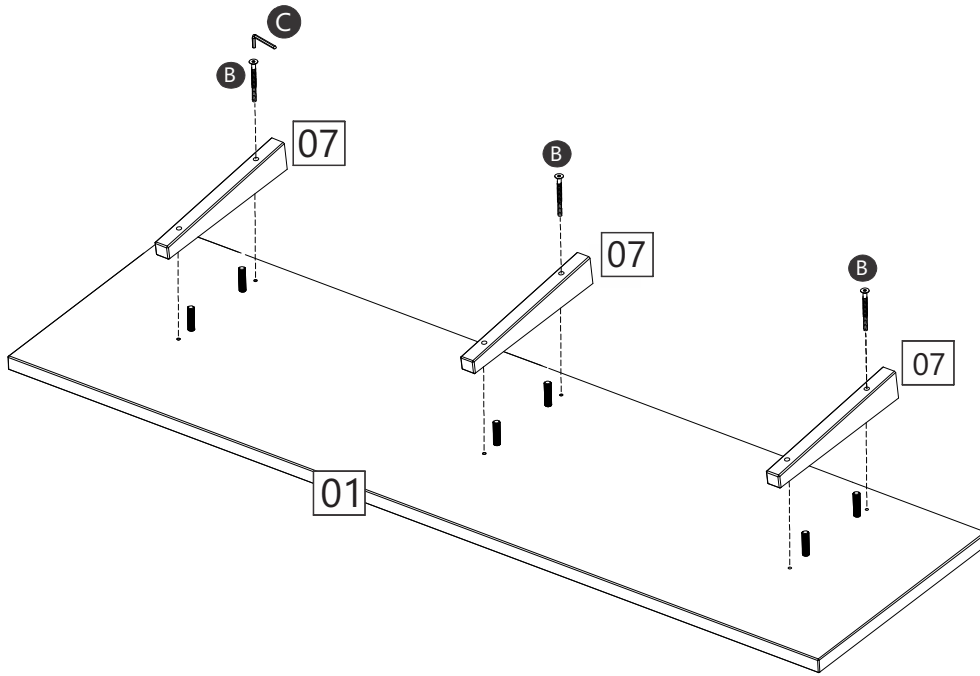
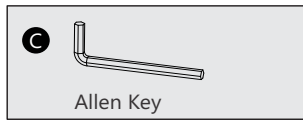
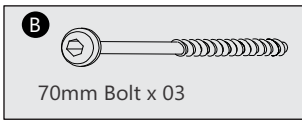
12



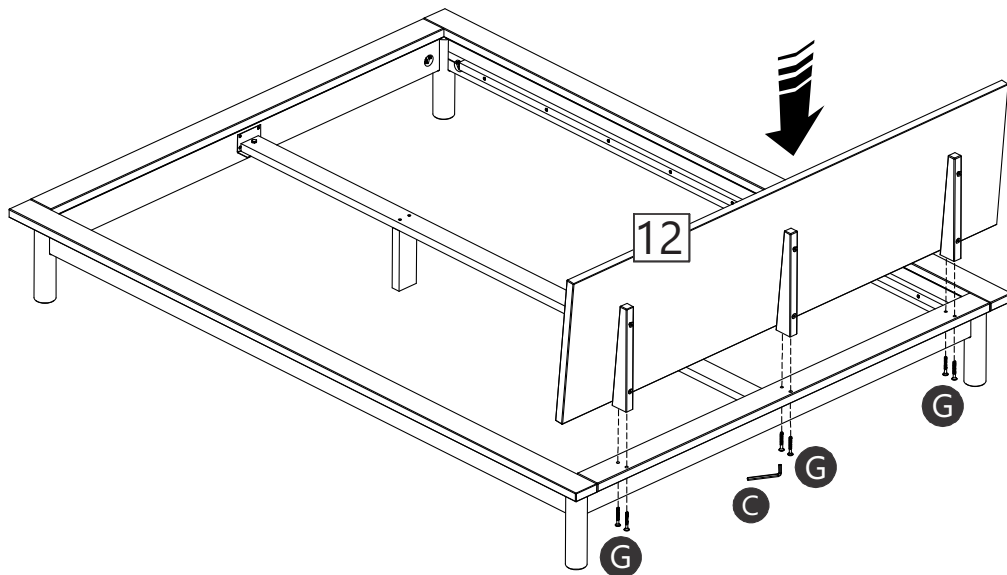
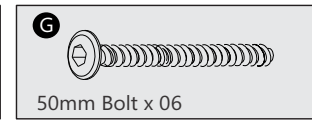
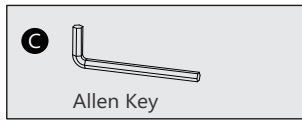
13



14



15



16

