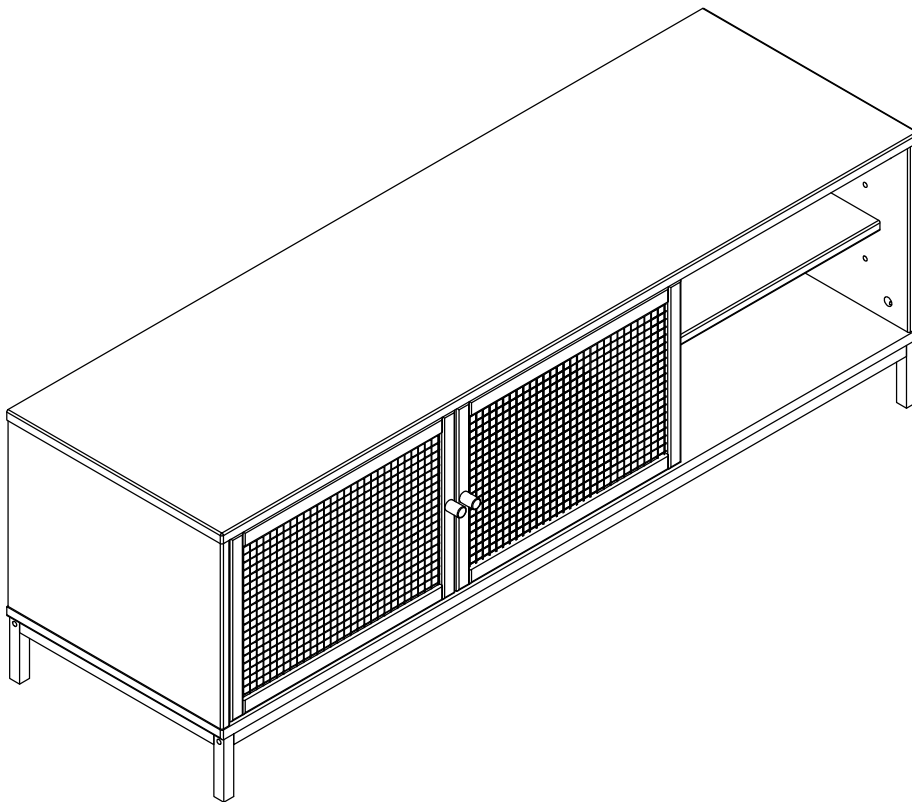



# Elaina


# habitat




## Spare Parts

 [www.argos-support.co.uk](http://www.argos-support.co.uk)

 [Help@ClickSpares.co.uk](mailto:Help@ClickSpares.co.uk)

 0370 112 1928

## Customer Support

 0345 640 2020



# Safety and Care Advice

---

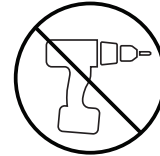
## Product Details

Elaina Woven front TV Unit 1970191

## IMPORTANT, RETAIN FOR FUTURE REFERENCE: READ CAREFULLY.

- Keep children and animals away from the work area, small parts could choke if swallowed.
- Make sure you have enough space to layout the parts before starting.
- This product has been constructed to be used in the domestic environment only and not for commercial purposes.

- Assemble the item as close to its final position (in the same room) as possible.
- Assemble on a soft level surface to avoid damaging the unit or your floor.



- We do not recommend the use of power drill/drivers for inserting screws as this could damage the unit. Only use hand screwdrivers.
- Parts of the assembly will be easier with 2 people.
- Dispose of all packaging carefully and responsibly.

## Care and maintenance

---

- Only clean using a damp cloth and mild detergent. Do not use abrasive cleaners.
- Use a dry cloth to clean the product, furniture polish is not recommended.
- From time to time check that there are no loose screws, nuts or bolts. If there are please re-tighten.
- This product should not be discarded with household waste. Take to your local authority waste disposal centre.

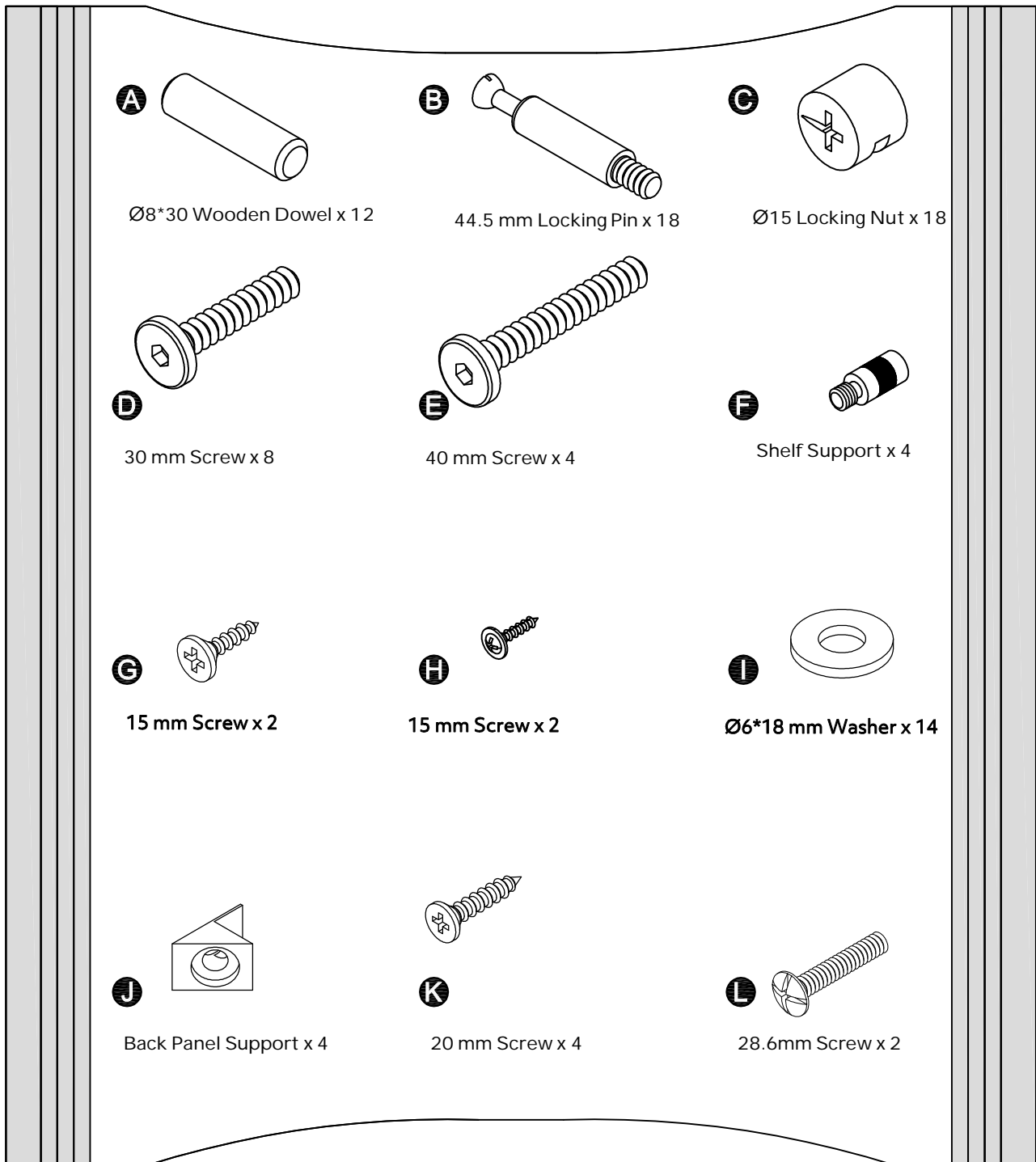
## Additional Guidance

---

- Assemble all parts and bolts loosely during assembly, only once the product is complete should you fully tighten the bolts.
- Regularly check and ensure that all bolts and fittings are tightend properly.
- Maximum loading weight: 40kgs.
- This product is compliant EN 14749 ; BS4875-7.

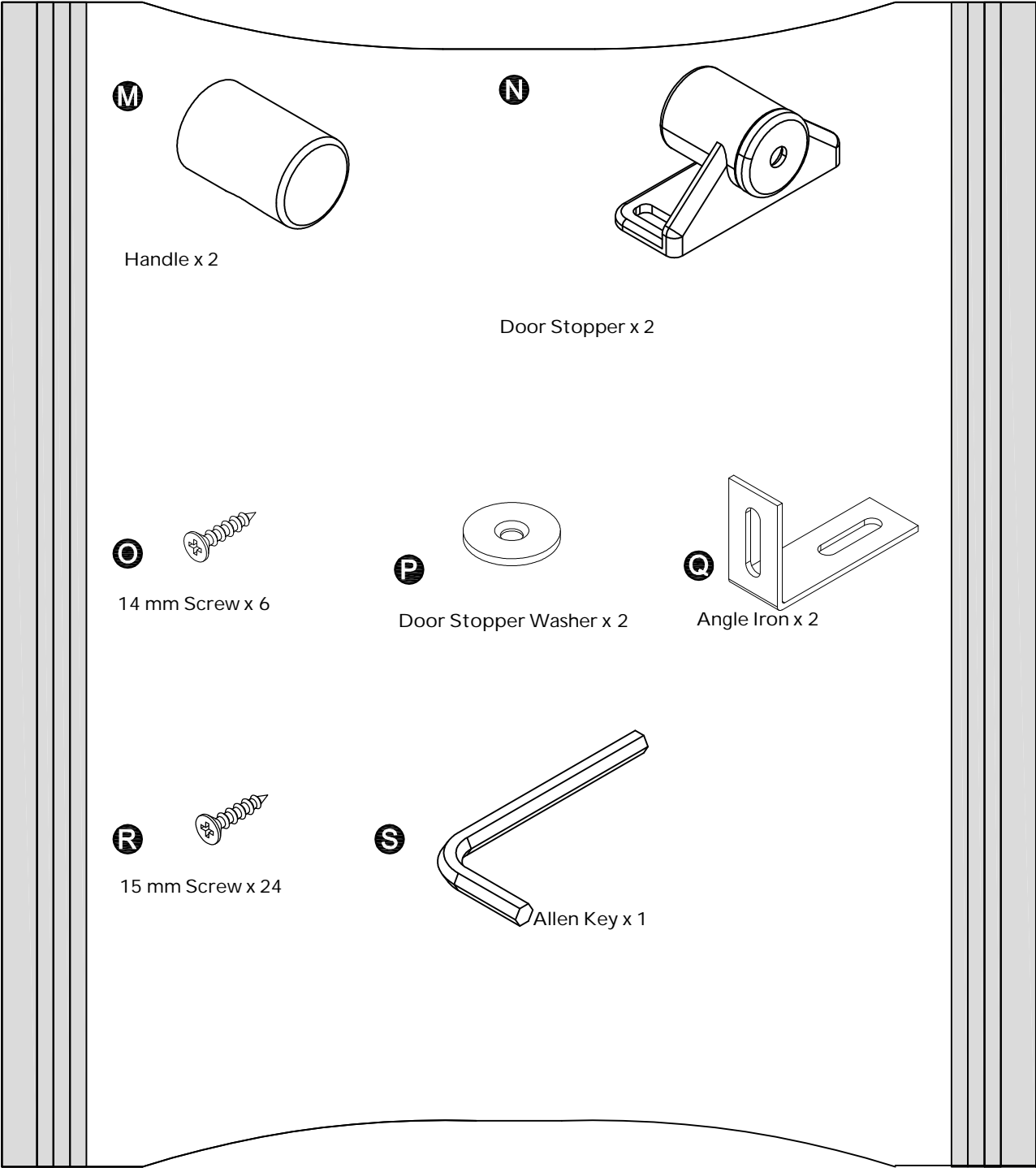
# Fittings (Shown to scale)

## Bag 1



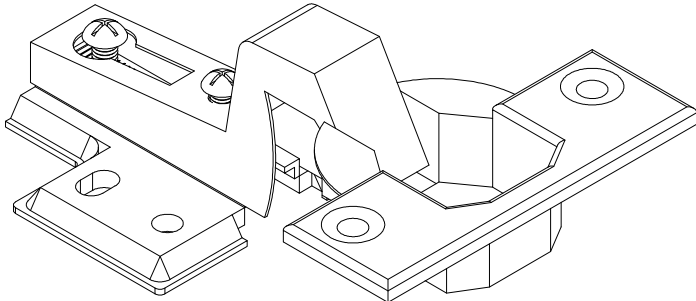
# Fittings (Shown to scale)

## Bag 2

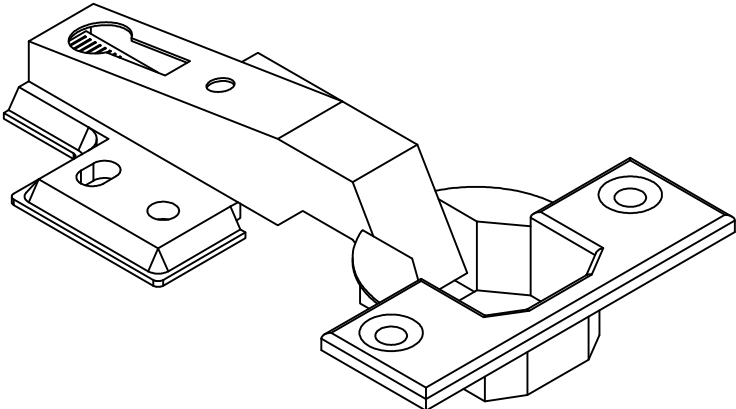


# Hardware

---



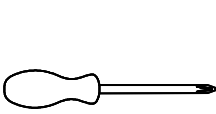
Door Hinge x 2



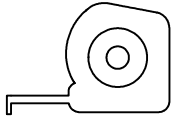
Door Hinge x 2

# Tools required

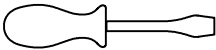
---



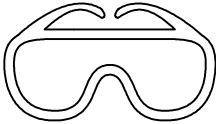
Phillips screwdriver  
(small & medium)



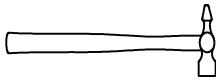
Ruler/tape  
measure



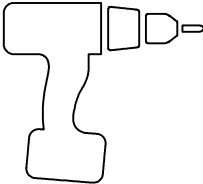
Phillips screwdriver  
(small & medium)



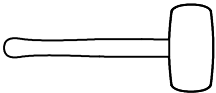
Eye protection  
(when using a  
hammer or glue)



Small  
hammer



Power Drill



Mallet



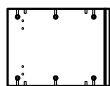
Drill Heads

# Panels

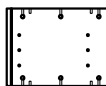
---



1 Top Panel × 1  
(1400 × 432mm)



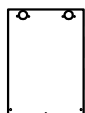
2 Left Side Panel × 1  
(324 × 429mm)



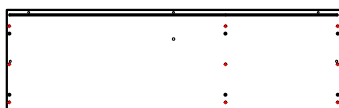
3 Right Side Panel × 1  
(324 × 429mm)



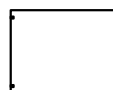
4 Middle Support Board × 1  
(324 × 383mm)



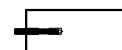
5 Door × 2  
(318 × 450mm)



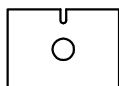
6 Base Panel × 1  
(1400 × 432mm)



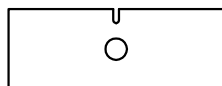
7 Right Removable Board × 1  
(452 × 350mm)



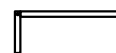
8 Middle Foot × 1  
(108 × 45mm)



9 Back Panel A × 1  
(467.5 × 335mm)



10 Back Panel B × 1  
(904.5 × 335mm)

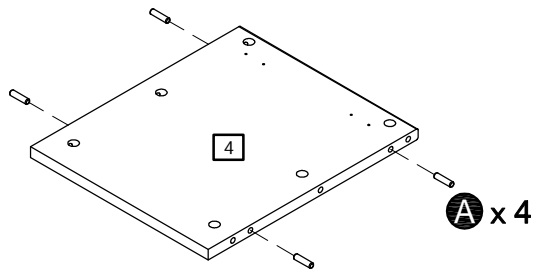
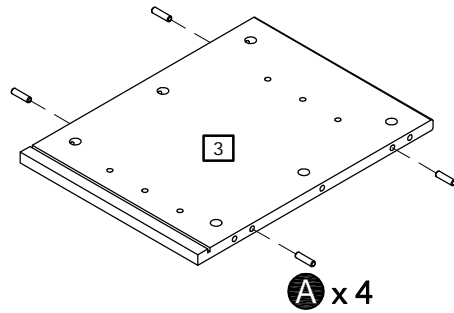
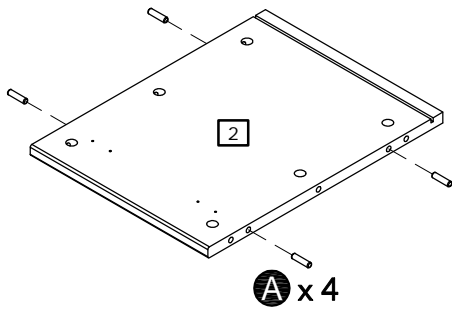
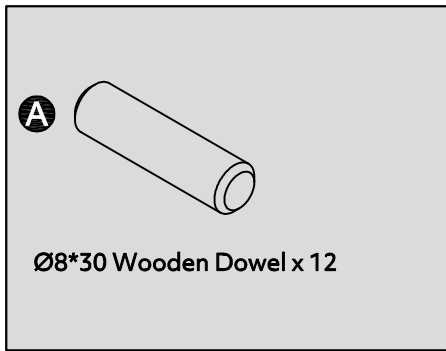
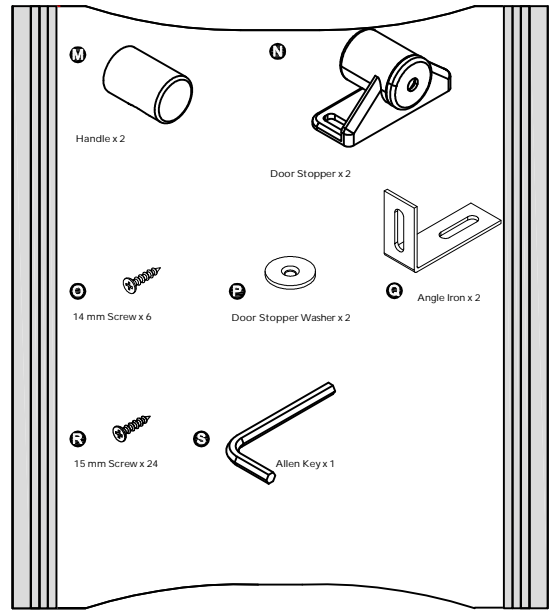
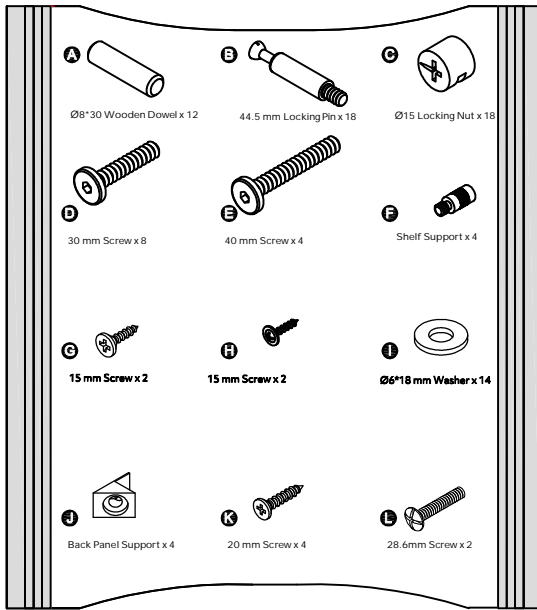


11 Iron Side Frame × 2  
(430 × 110mm)



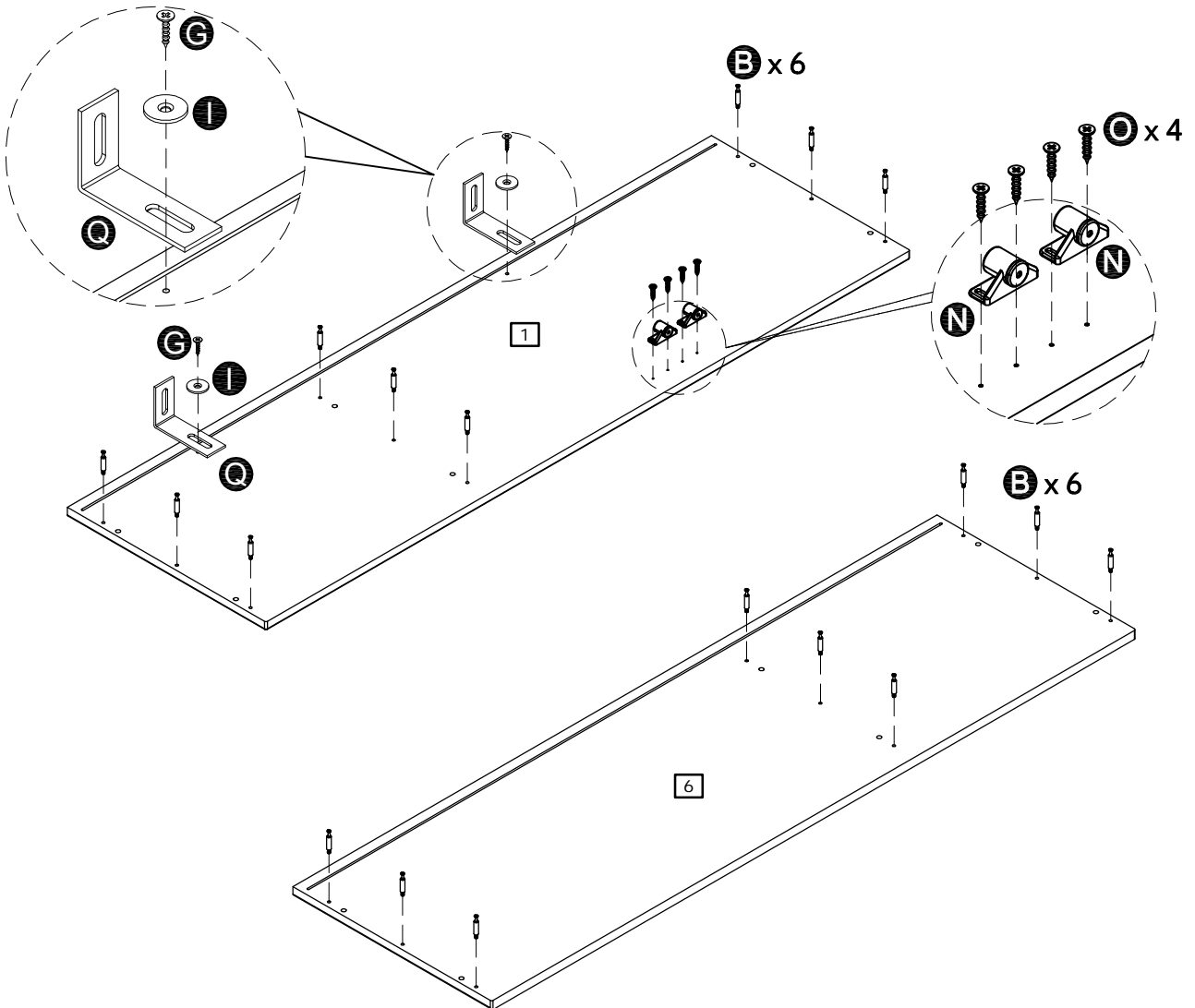
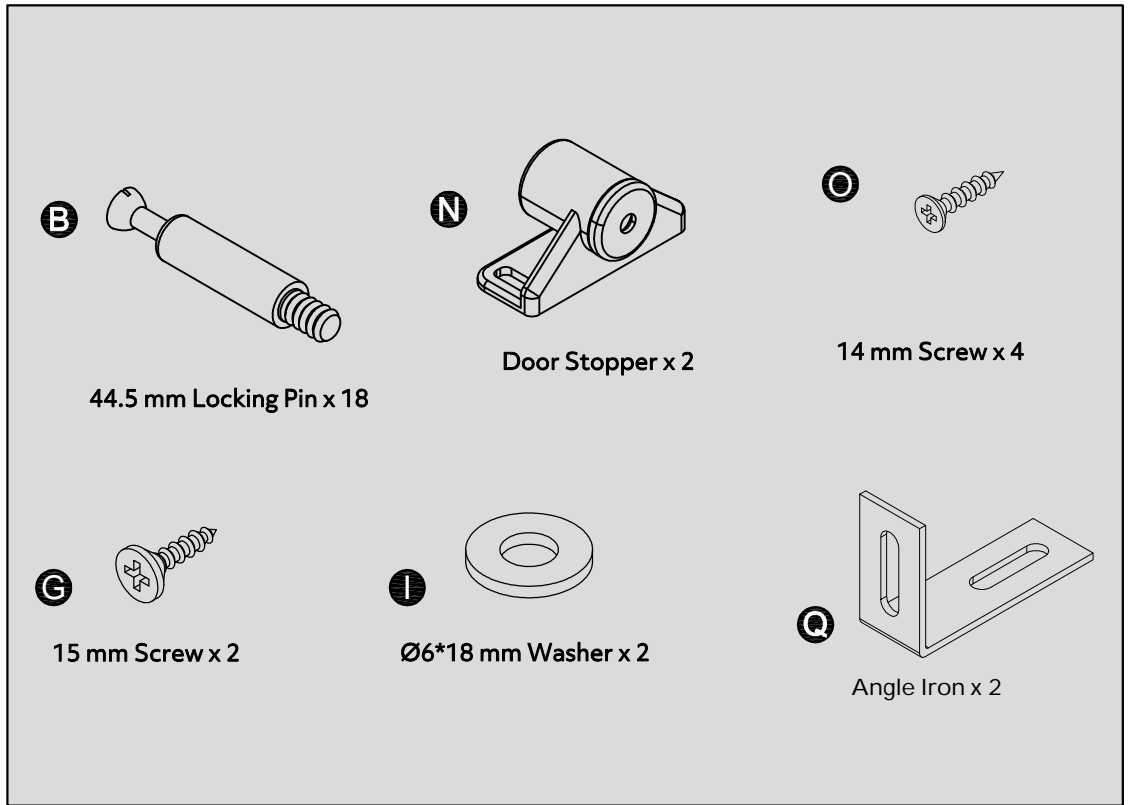
12 Iron Long Bar × 2  
(1350 × 20mm)

# 1

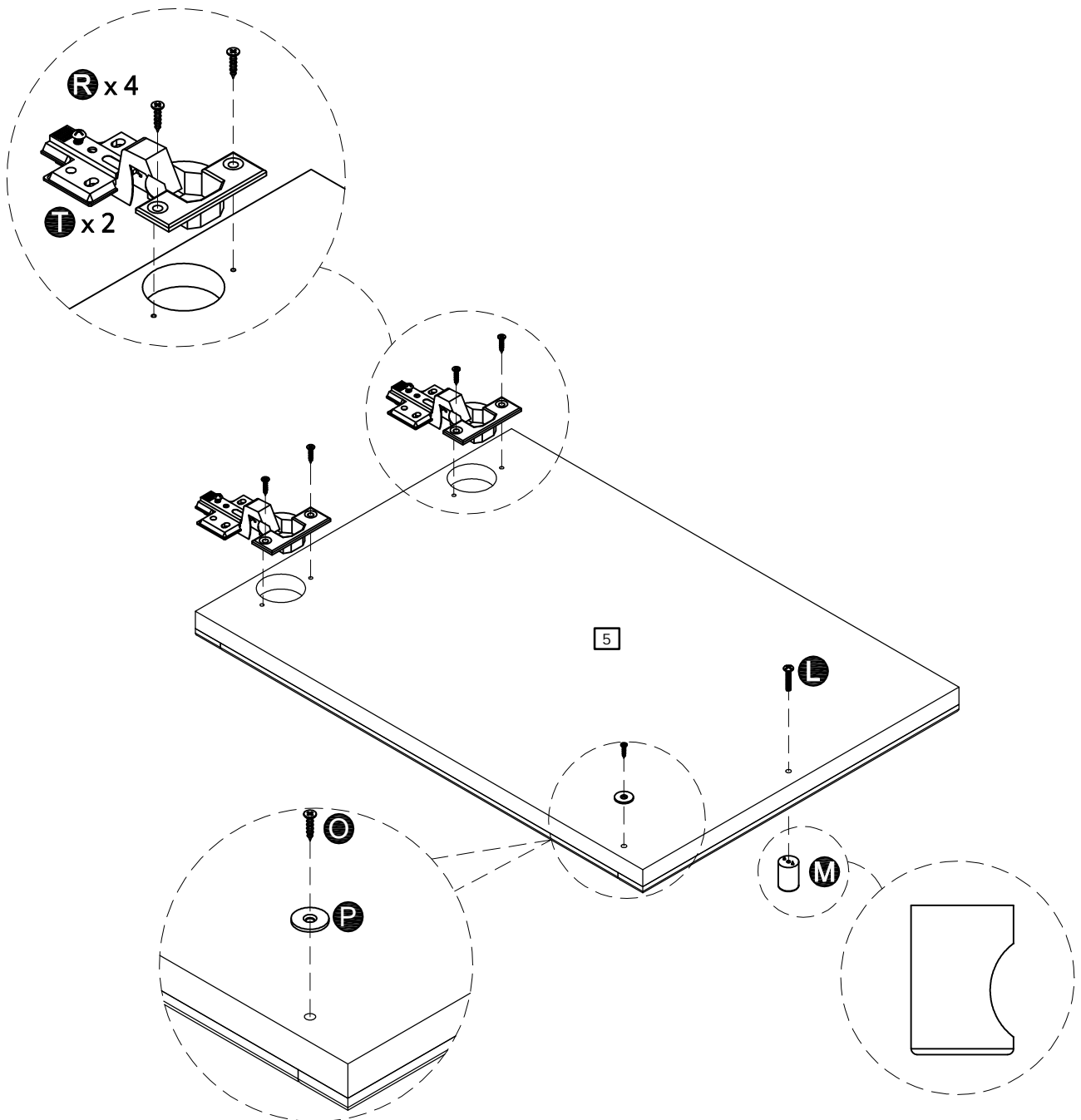
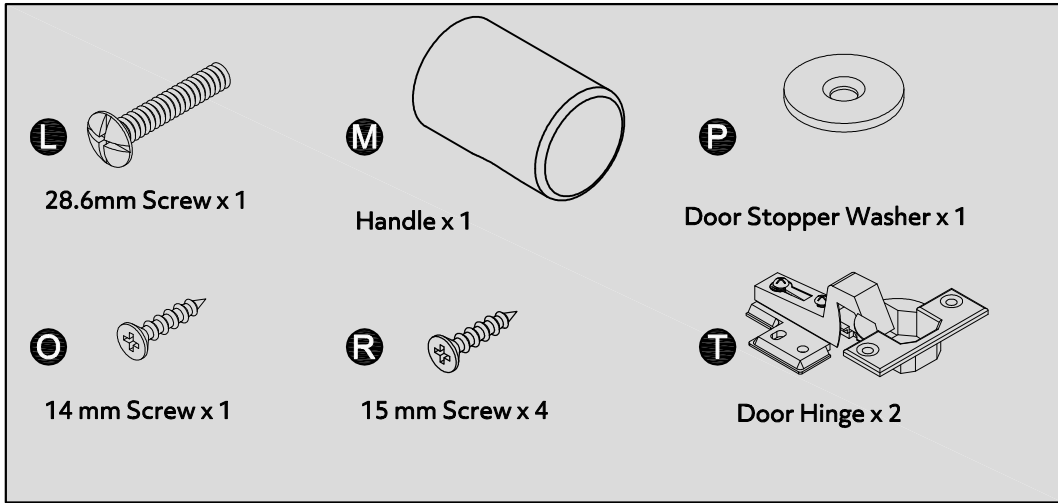




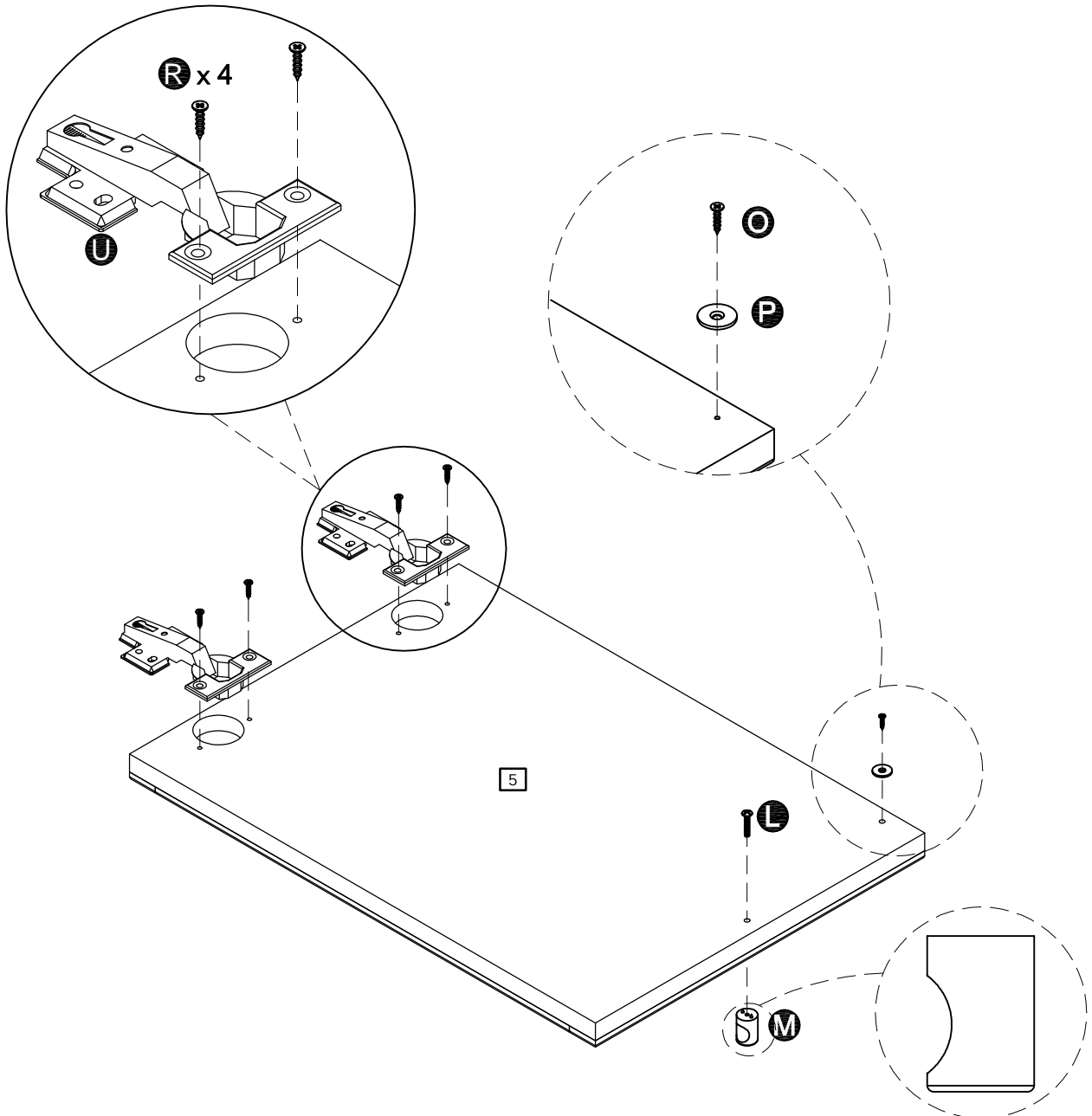
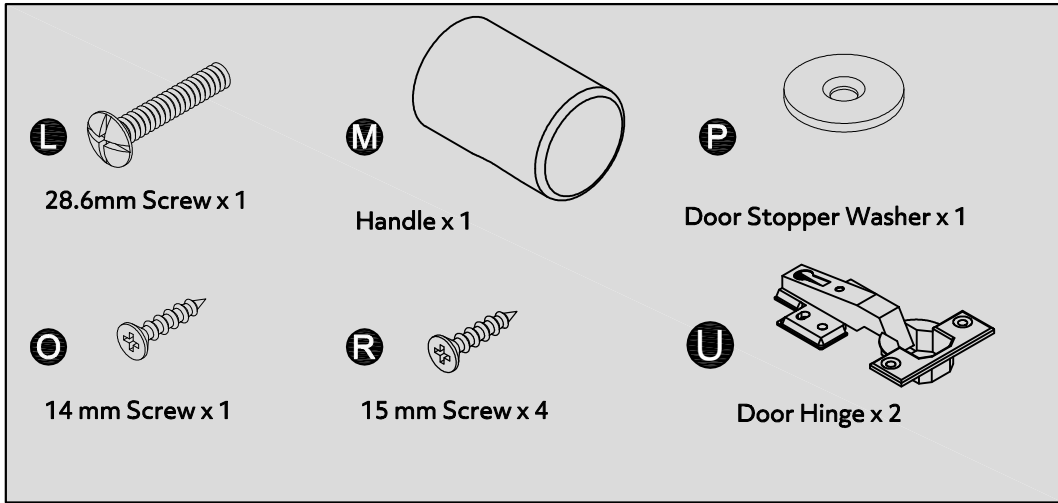
# 2



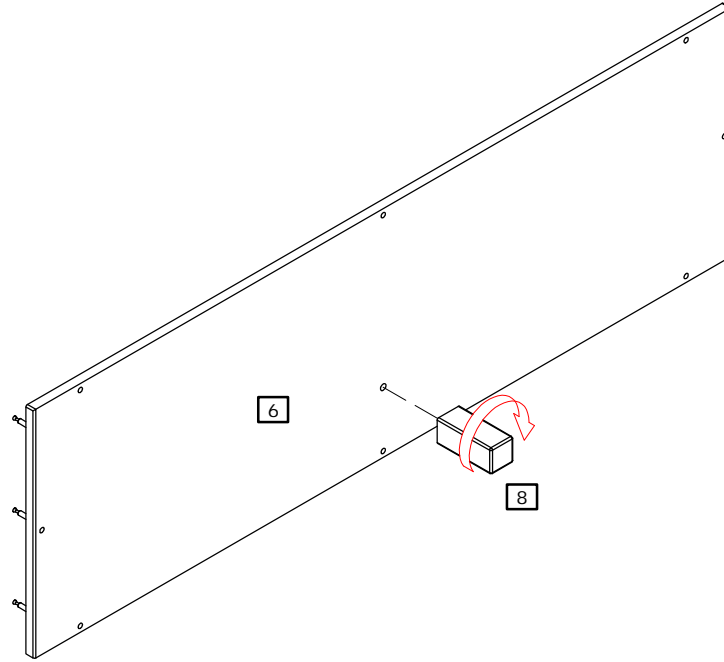
# 3



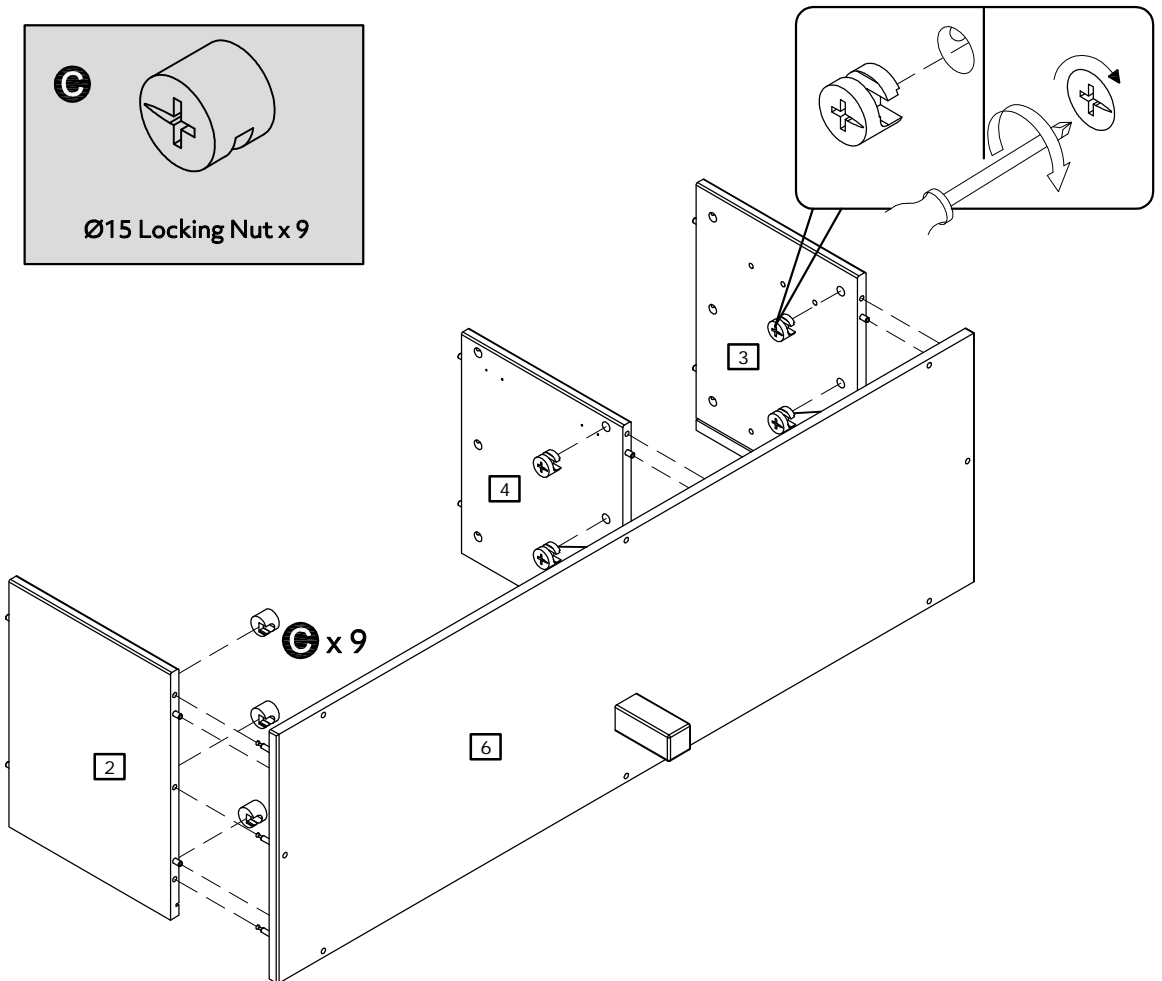
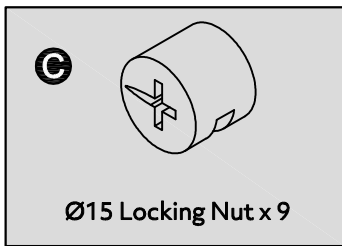
# 4



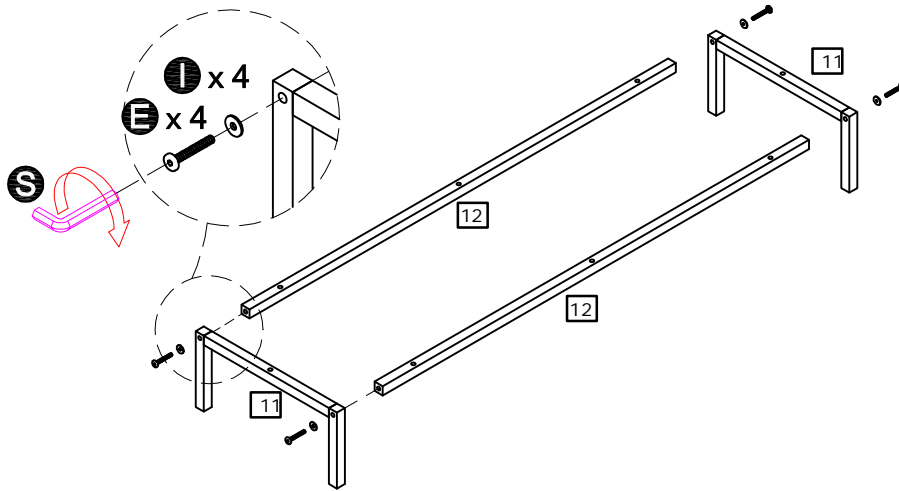
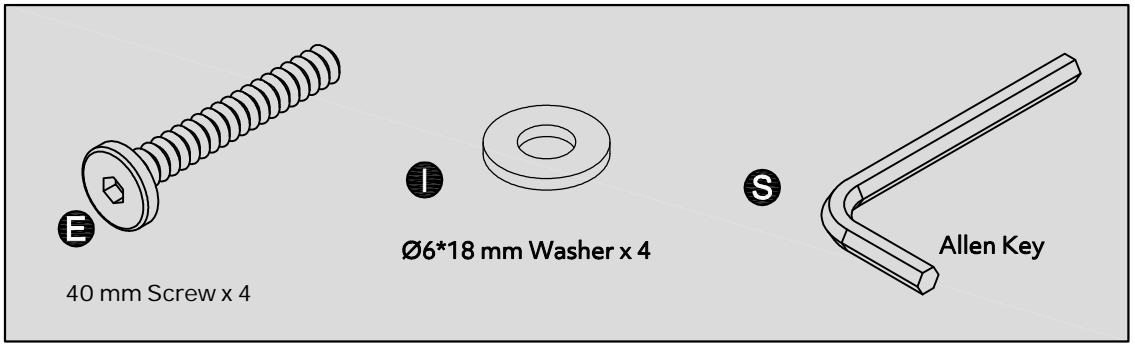
# 5



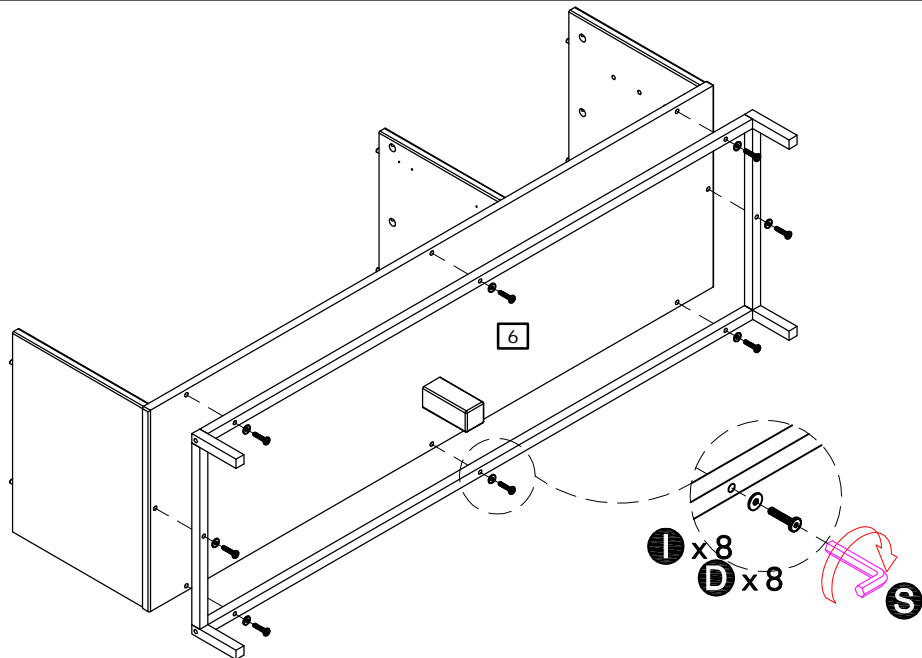
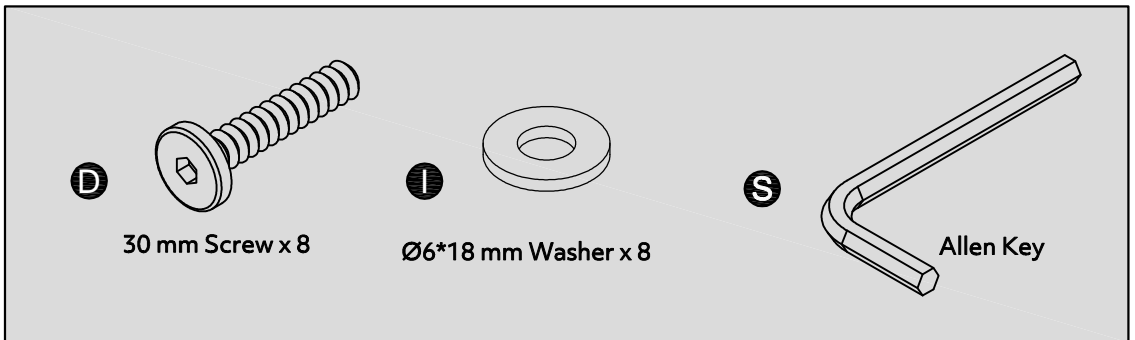
# 6



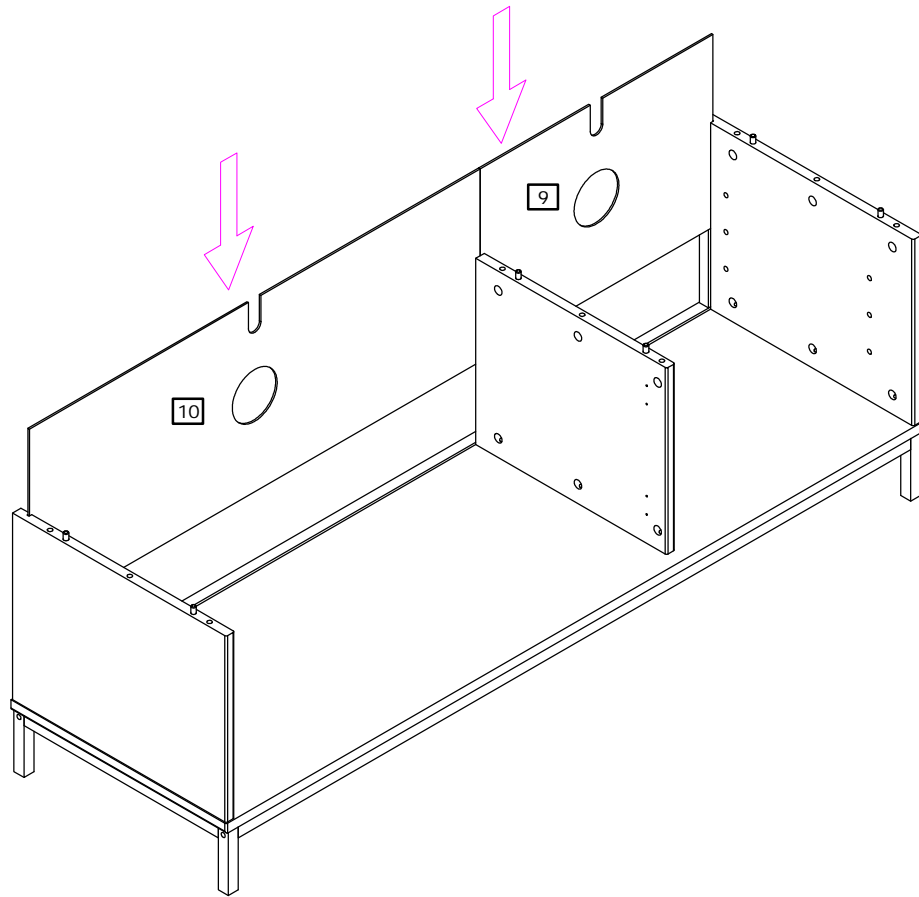
# 7



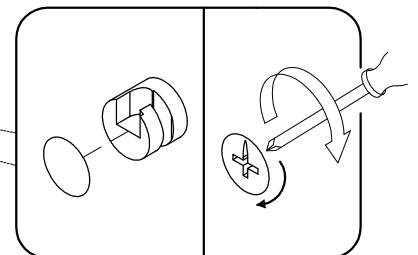
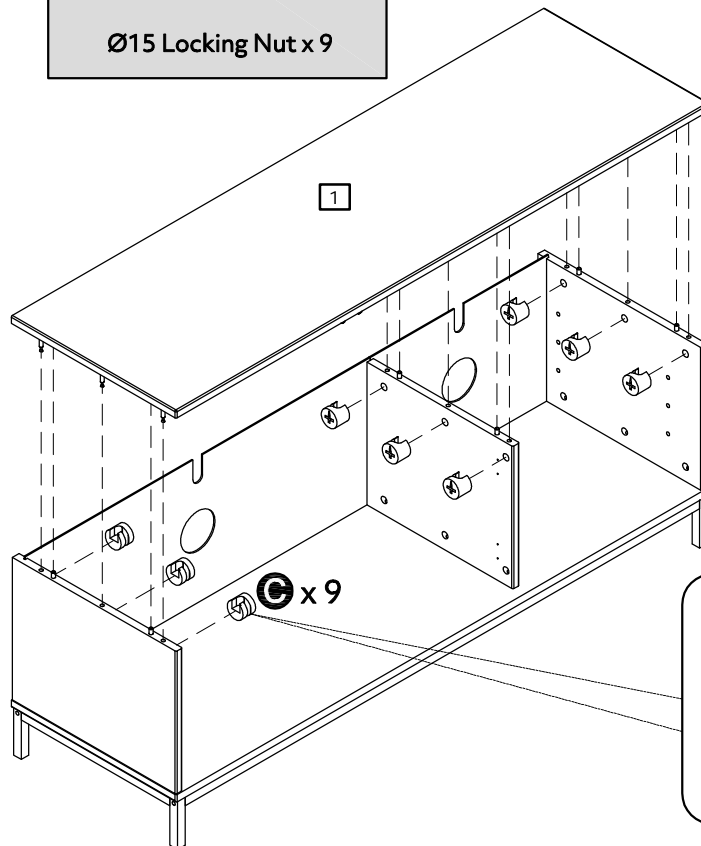
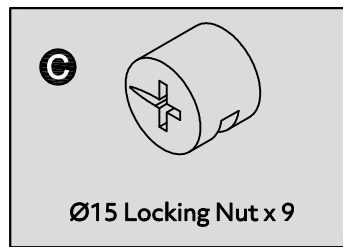
# 8



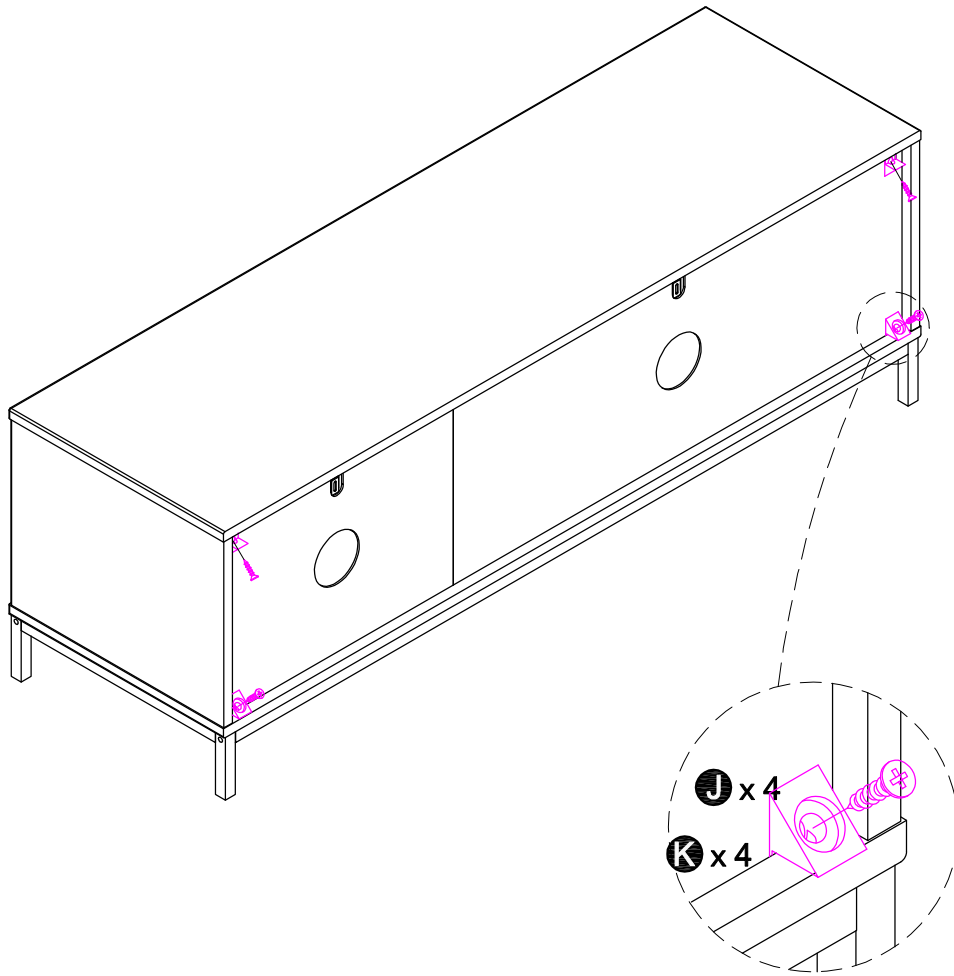
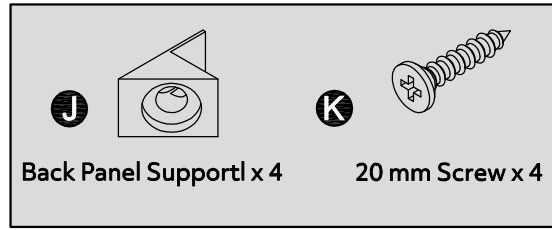
# 9



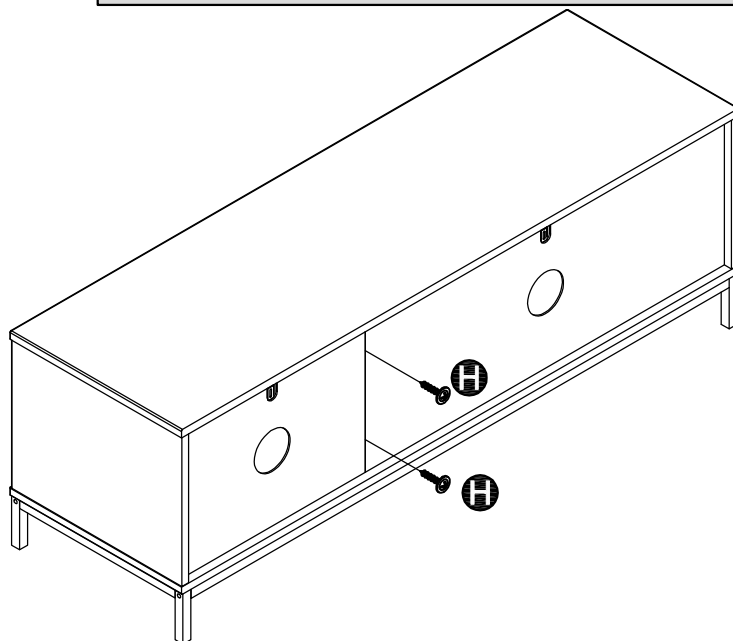
# 10



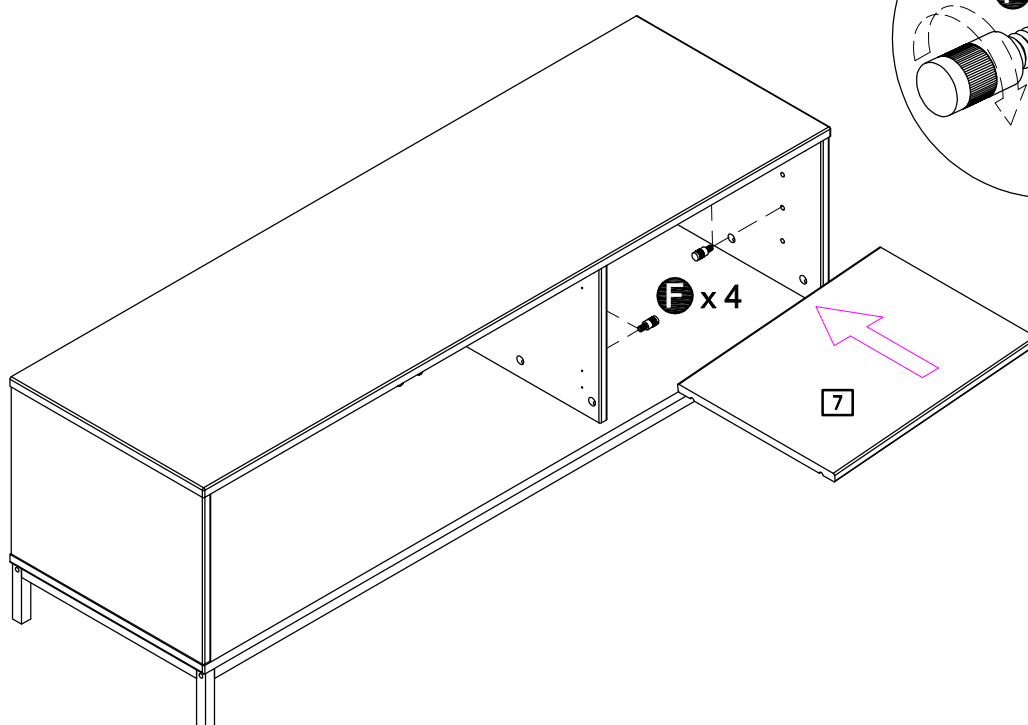
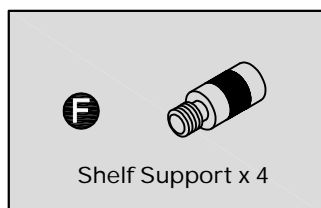
# 11



# 12



# 13

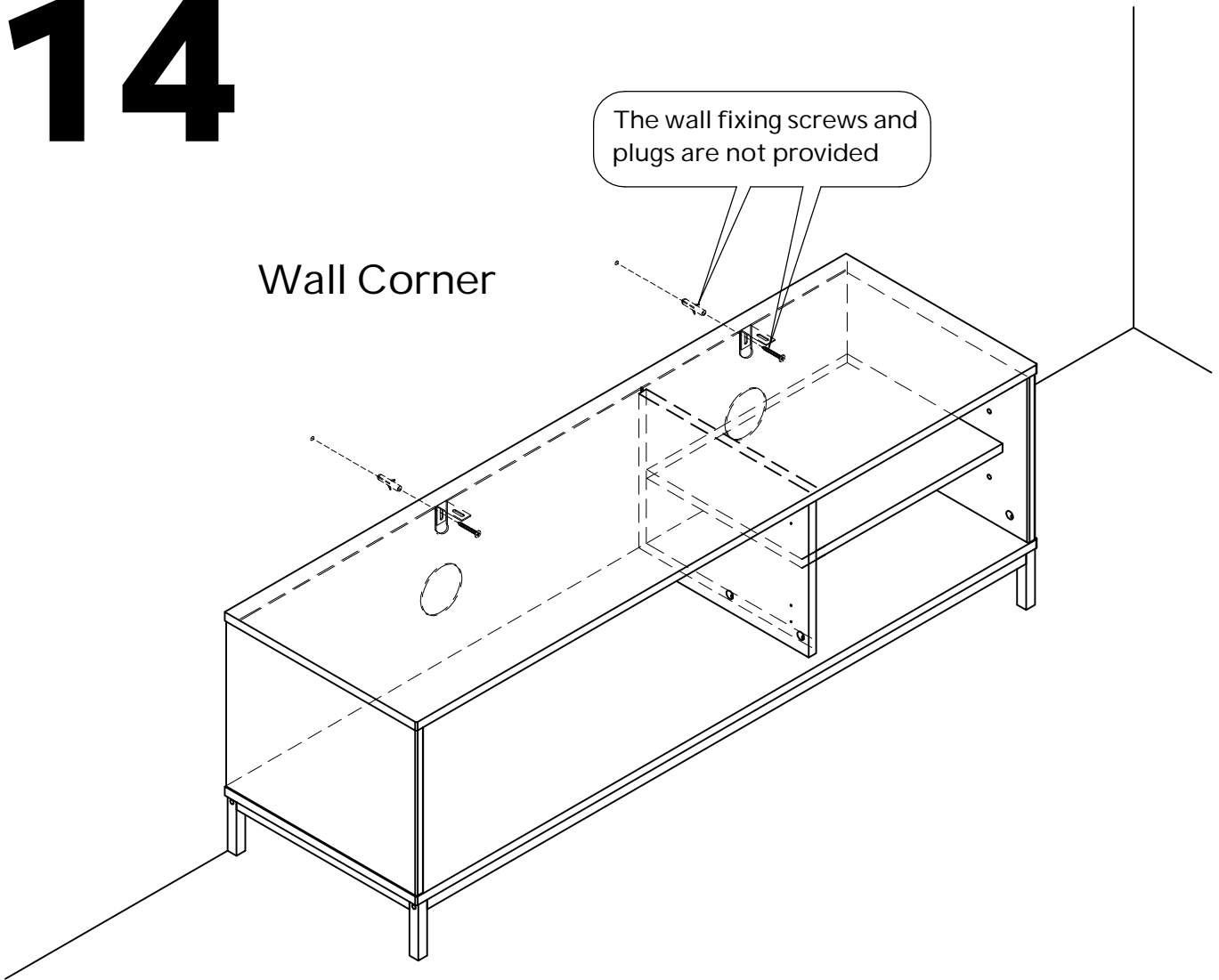




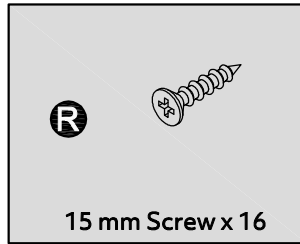
# 14

Wall Corner

The wall fixing screws and plugs are not provided



# 15



With the unit in its final position, the door can be adjusted to fit by moving the hinges up and down on the unit side, and adjusting the screw in the centre of each hinge to alter the angle and fit of the door in its frame.

