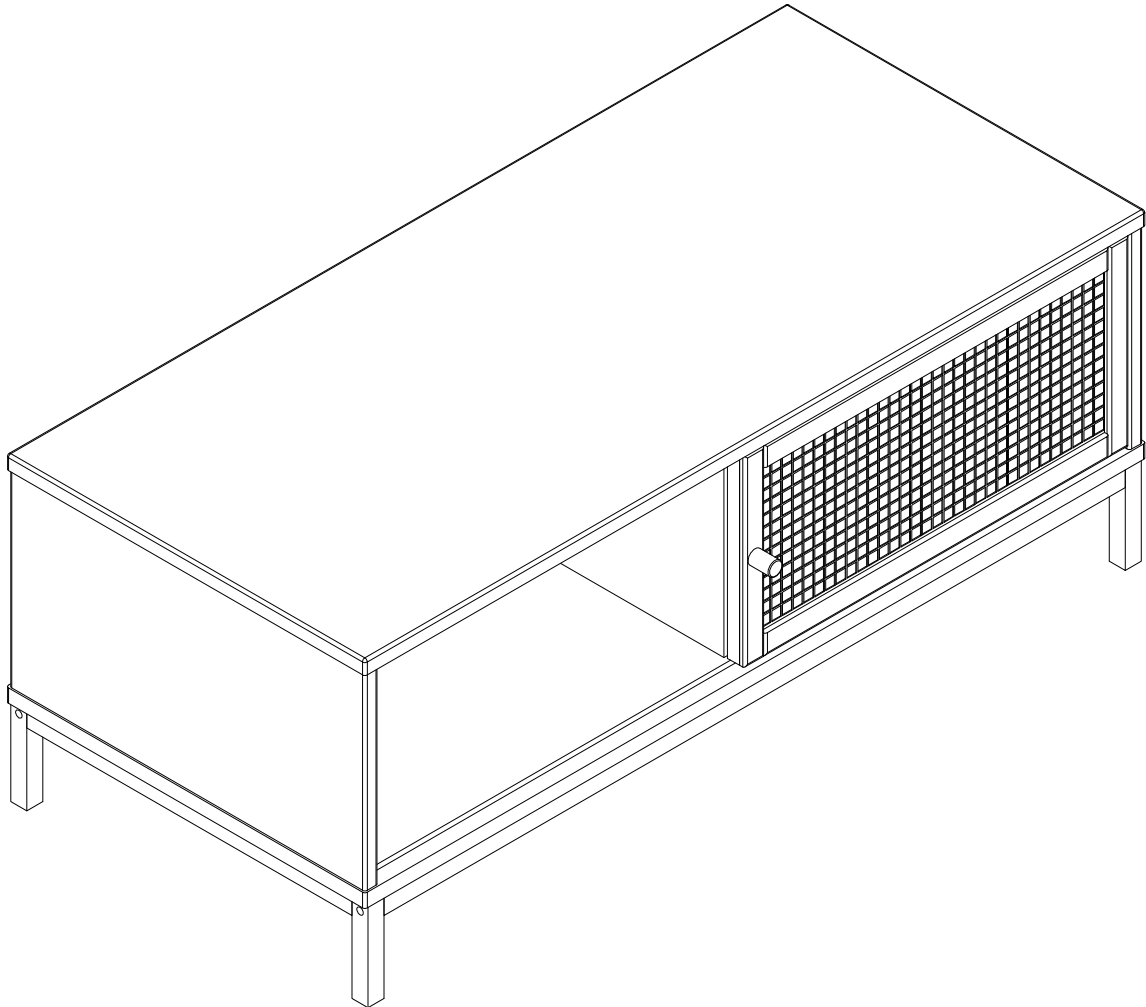



# Elaina


# habitat




## Spare Parts

 [www.argos-support.co.uk](http://www.argos-support.co.uk)

 [Help@ClickSpares.co.uk](mailto:Help@ClickSpares.co.uk)

 0370 112 1928

## Customer Support

 0345 640 2020



# Safety and Care Advice

---

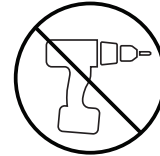
## Product Details

Elaina Woven Front Coffee Table 1935253

## IMPORTANT, RETAIN FOR FUTURE REFERENCE: READ CAREFULLY.

- Keep children and animals away from the work area, small parts could choke if swallowed.
- Make sure you have enough space to layout the parts before starting.
- This product has been constructed to be used in the domestic environment only and not for commercial purposes.

- Assemble the item as close to its final position (in the same room) as possible.
- Assemble on a soft level surface to avoid damaging the unit or your floor.



- We do not recommend the use of power drill/drivers for inserting screws as this could damage the unit. Only use hand screwdrivers.
- Parts of the assembly will be easier with 2 people.
- Dispose of all packaging carefully and responsibly.

## Care and maintenance

---

- Only clean using a damp cloth and mild detergent. Do not use abrasive cleaners.
- Use a dry cloth to clean the product, furniture polish is not recommended.
- From time to time check that there are no loose screws, nuts or bolts. If there are please re-tighten.
- This product should not be discarded with household waste. Take to your local authority waste disposal centre.

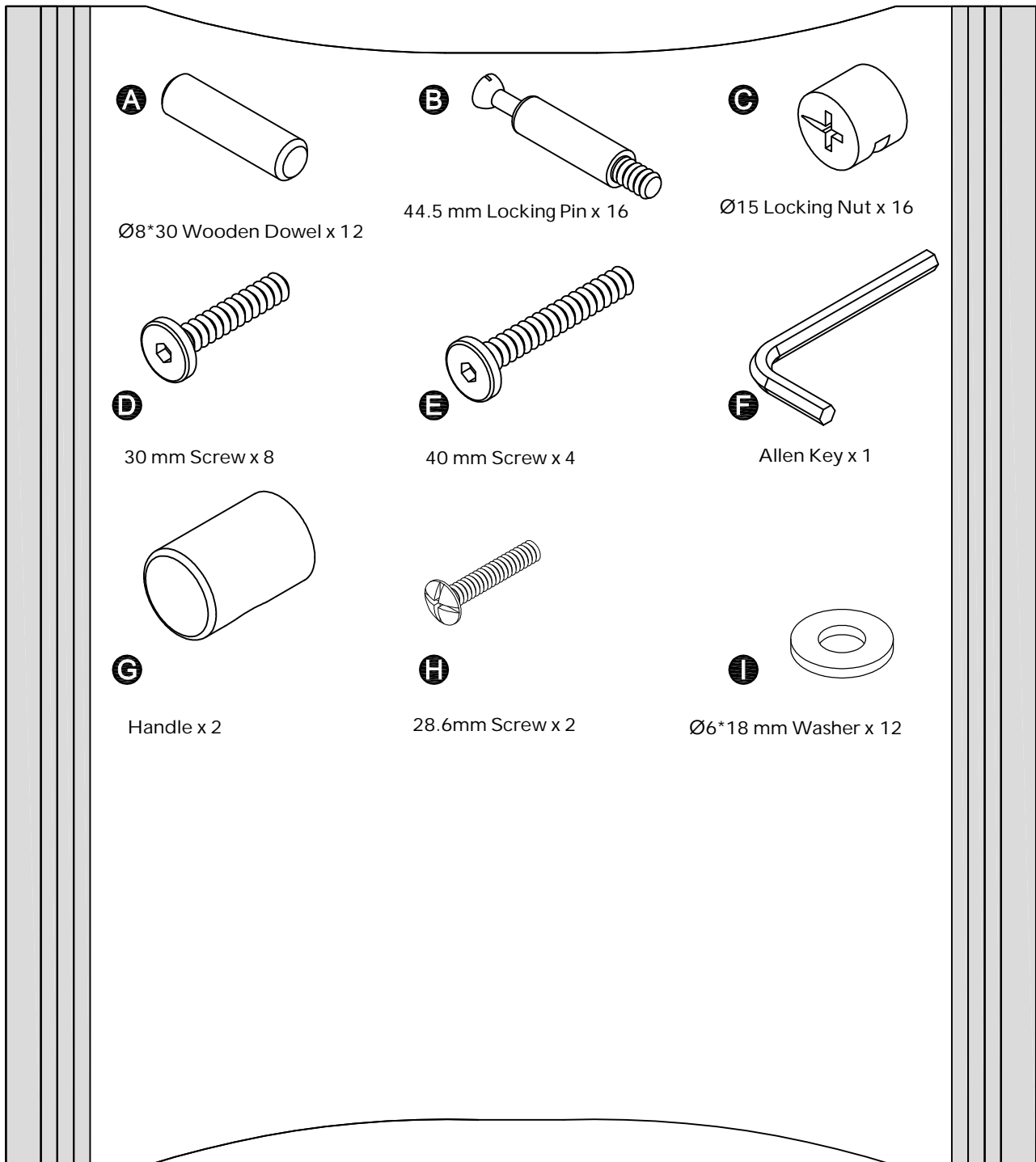
## Additional Guidance

---

- Assemble all parts and bolts loosely during assembly, only once the product is complete should you fully tighten the bolts.
- Regularly check and ensure that all bolts and fittings are tightend properly.
- Maximum loading weight: 100kgs.
- This product is compliant BS 4875-7 ; EN12521.

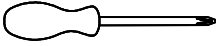
# Fittings (Shown to scale)

## Bag 1

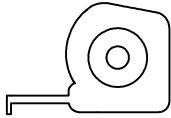


# Tools required

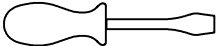
---



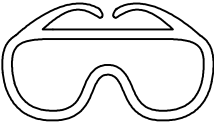
Phillips screwdriver  
(small & medium)



Ruler/tape  
measure



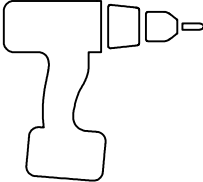
Phillips screwdriver  
(small & medium)



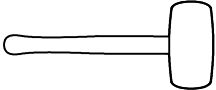
Eye protection  
(when using a  
hammer or glue)



Small  
hammer



Power Drill



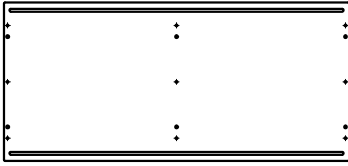
Mallet



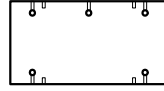
Drill Heads

# Panels

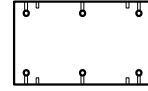
---



1 Top panel × 1  
(980 × 450mm)



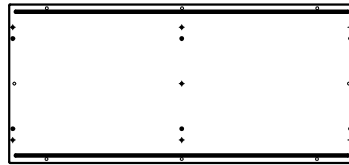
2 Side Panel × 2  
(236 × 446mm)



3 Middle Support Board × 1  
(236 × 388mm)



4 Door × 2  
(230 × 482mm)



5 Base Panel × 1  
(980 × 450mm)

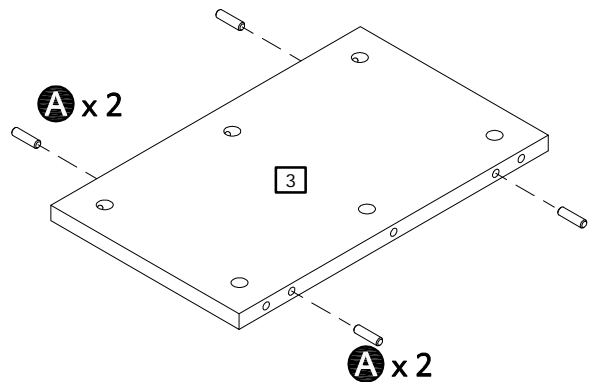
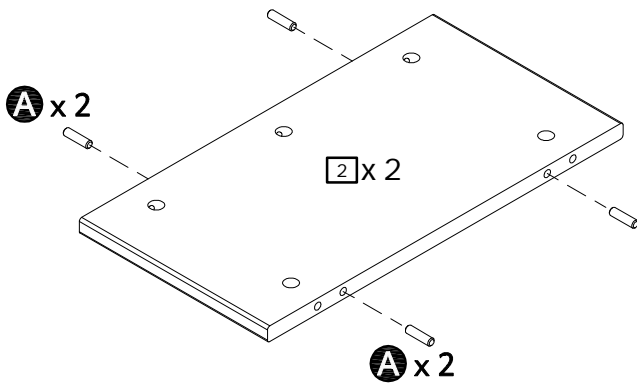
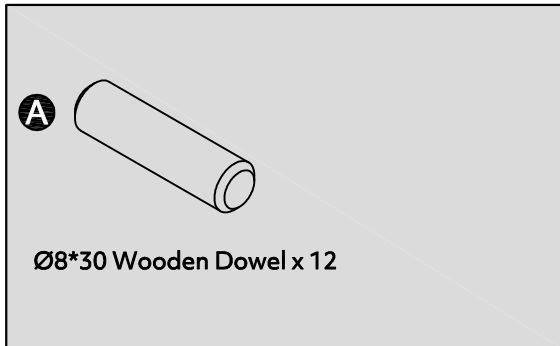
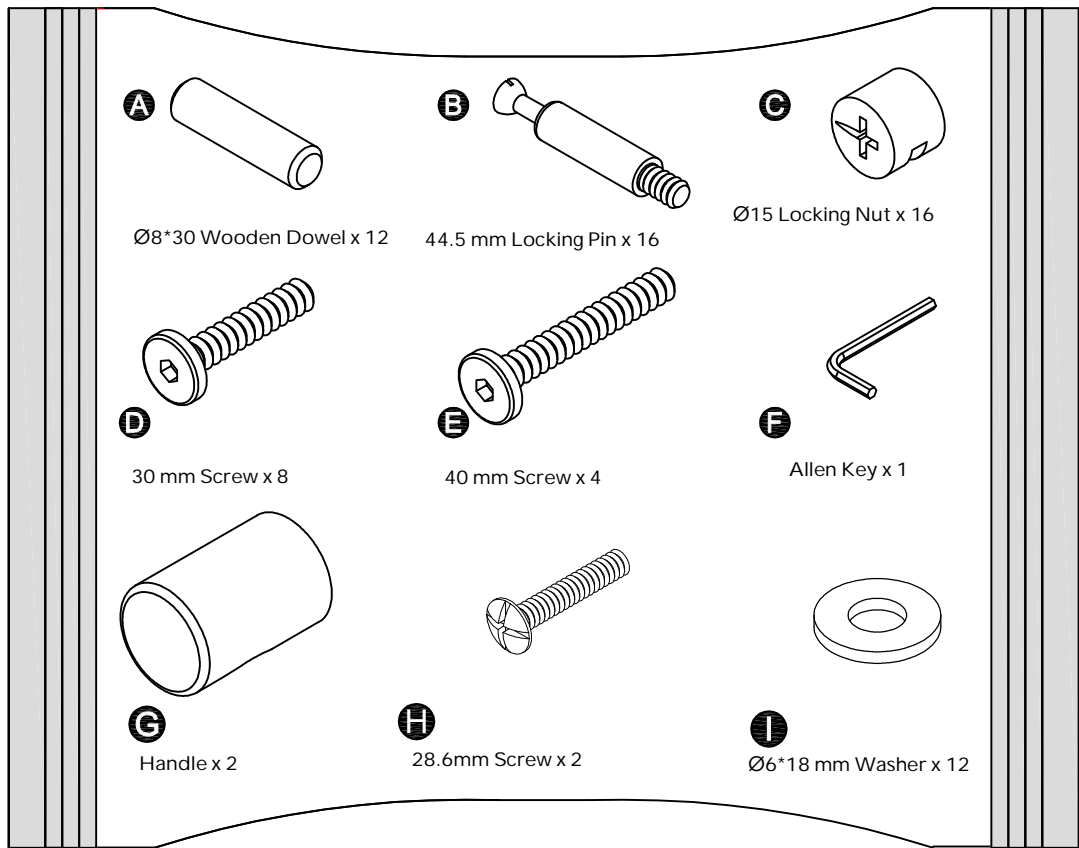


6 Iron Side Frame × 2  
(448 × 110mm)

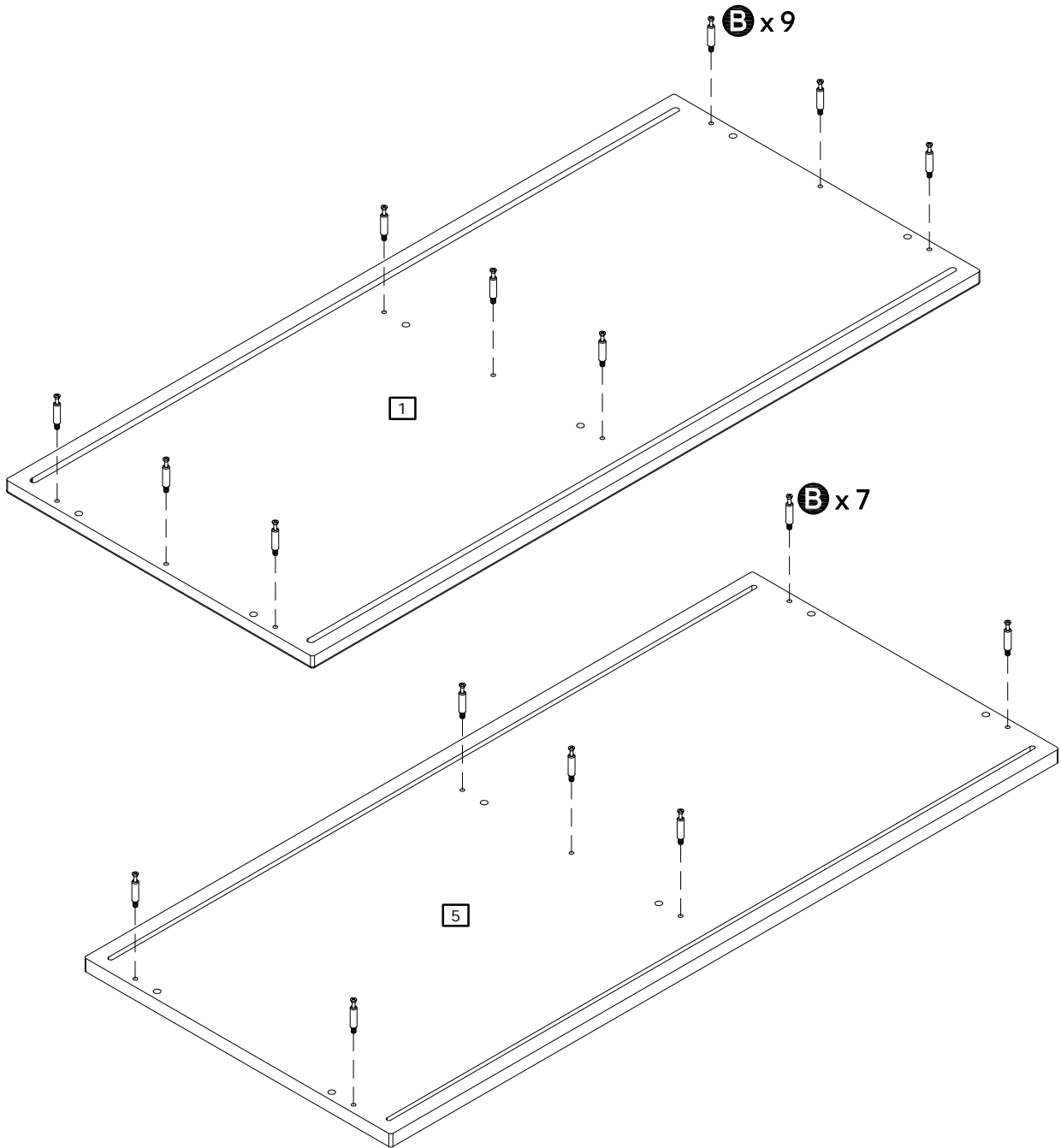
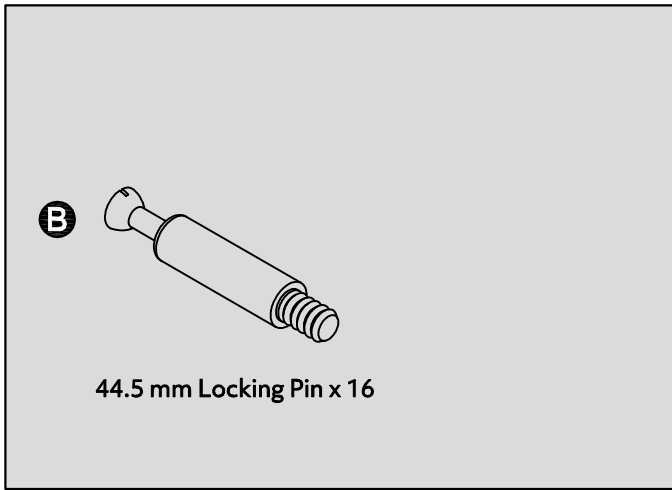


7 Iron Long Bar × 2  
(930 × 20mm)

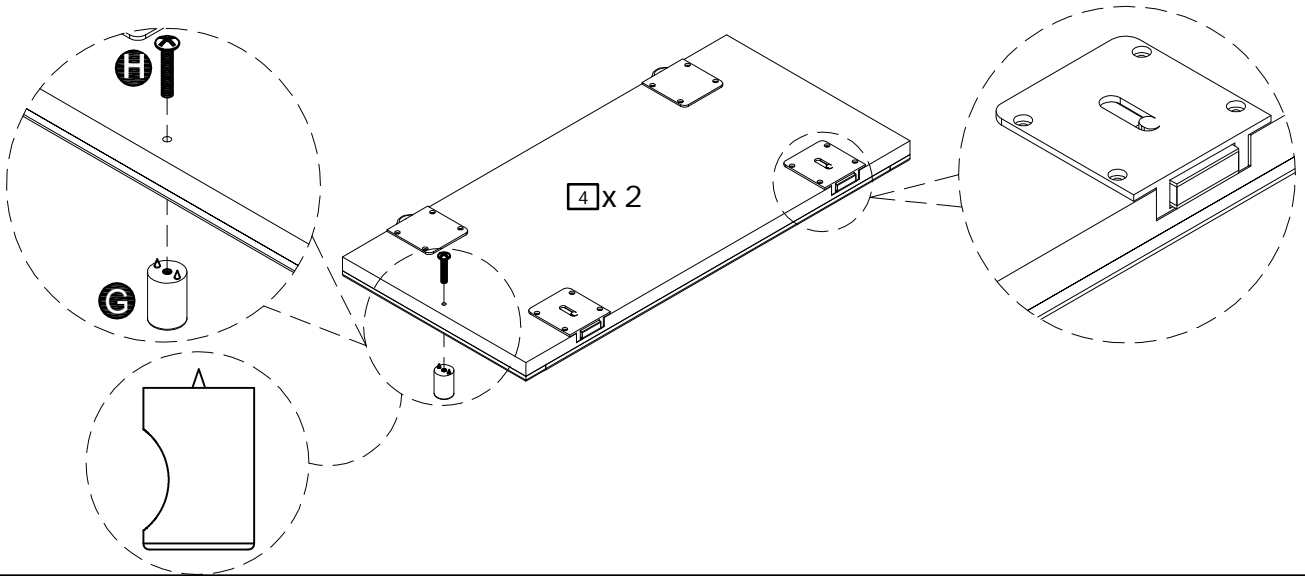
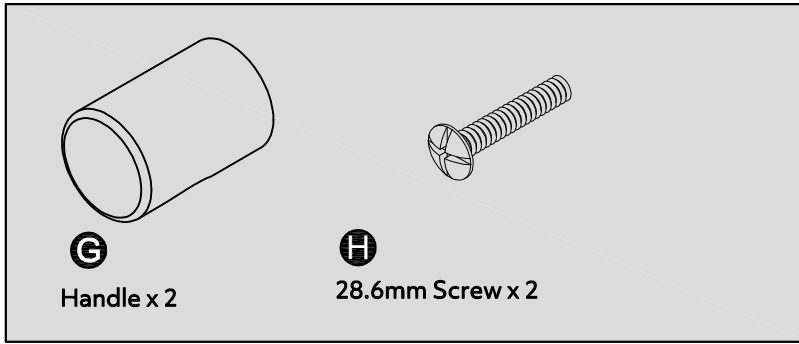
# 1



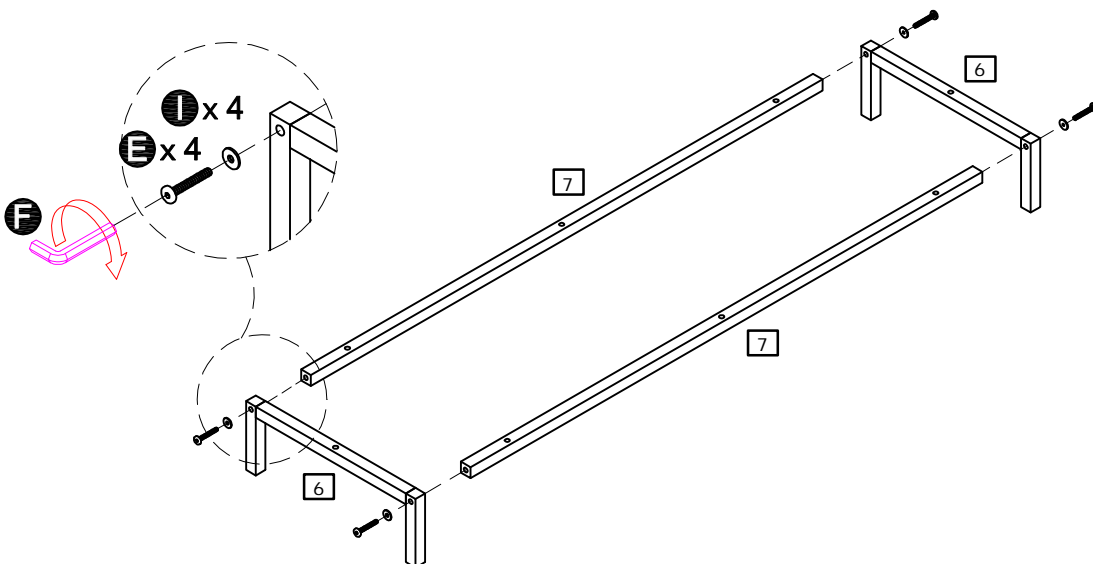
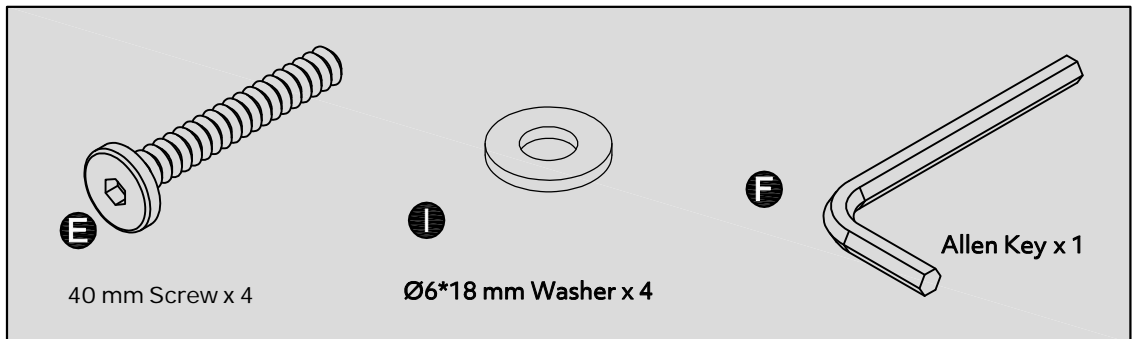
# 2



# 3

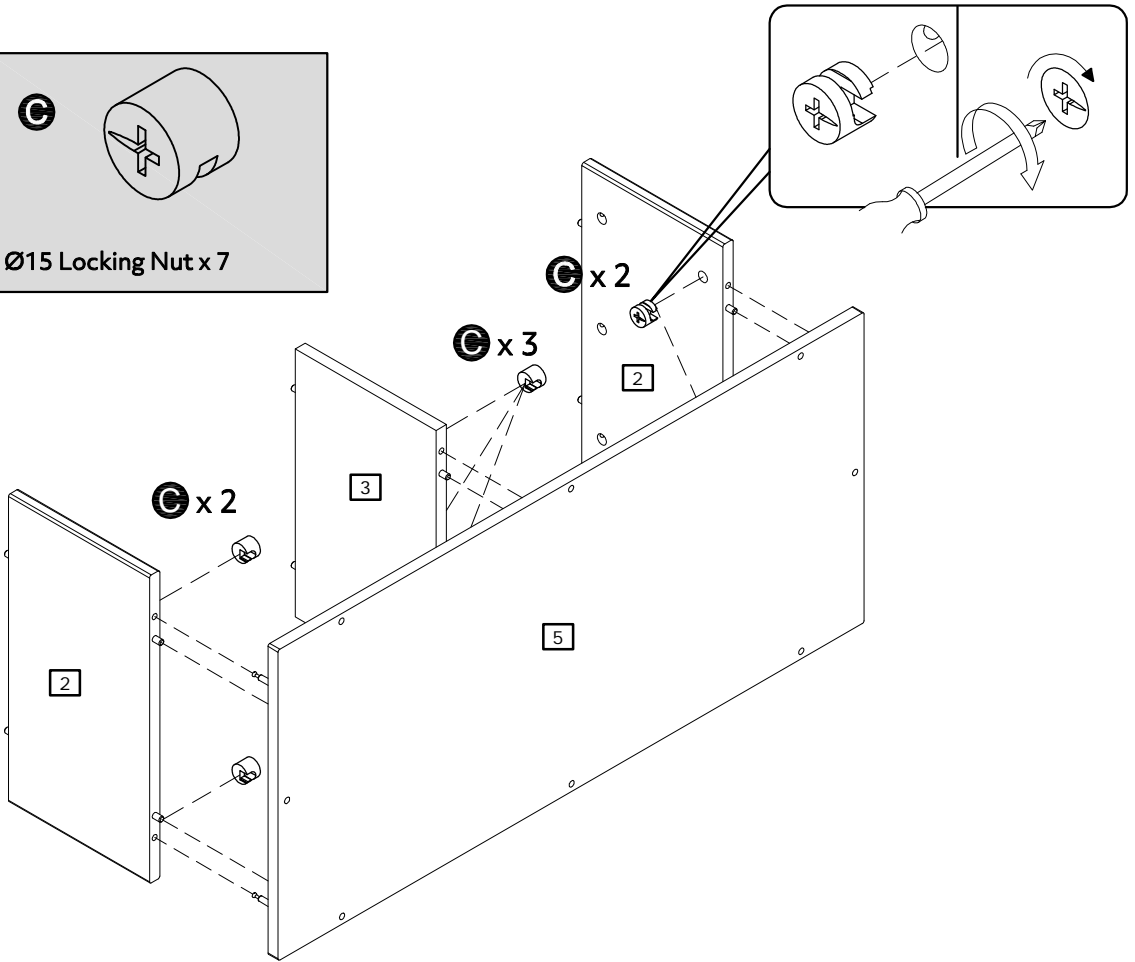
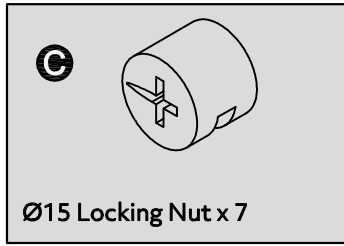


# 4

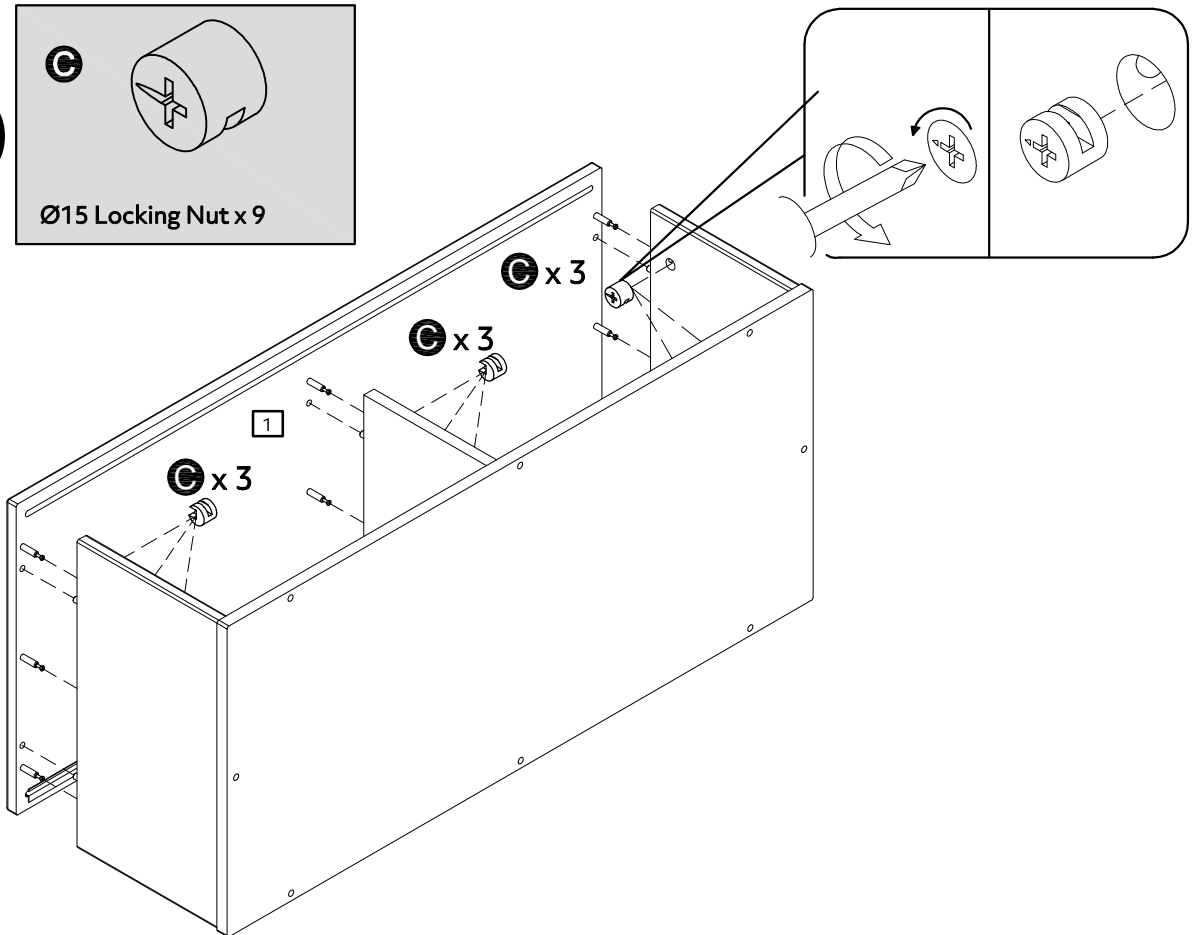
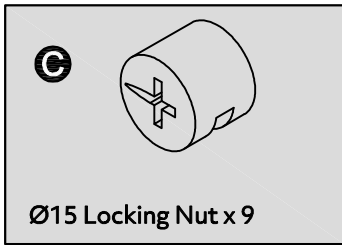




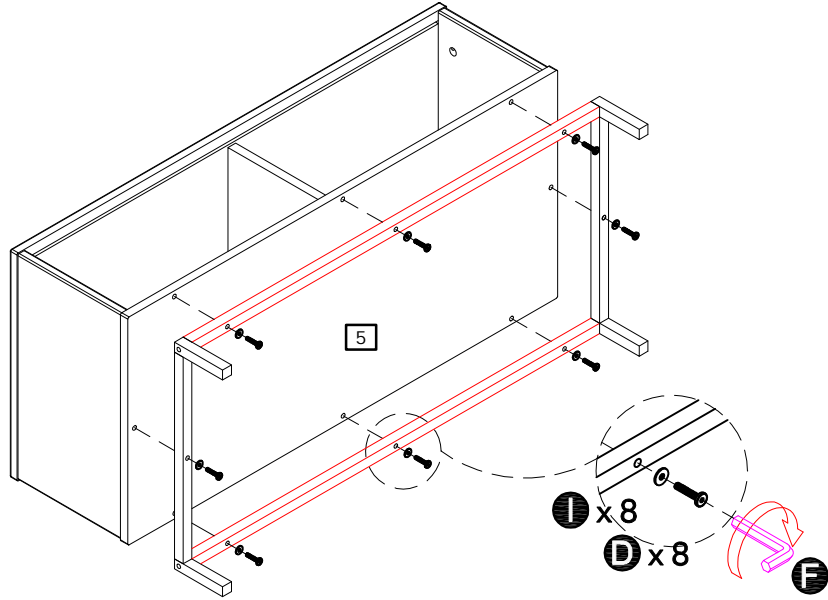
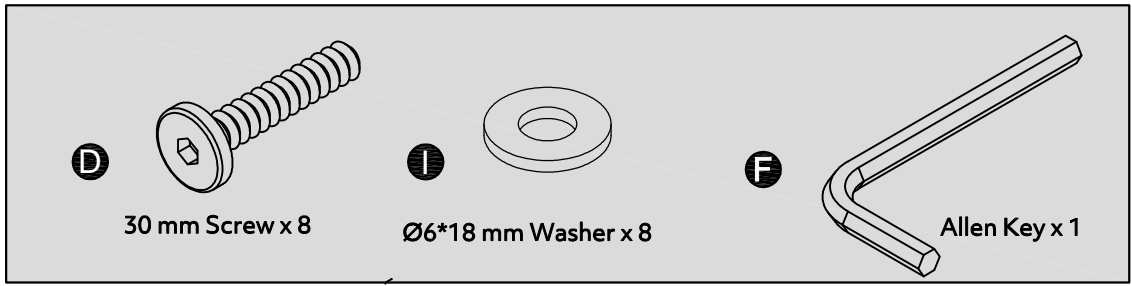
# 5



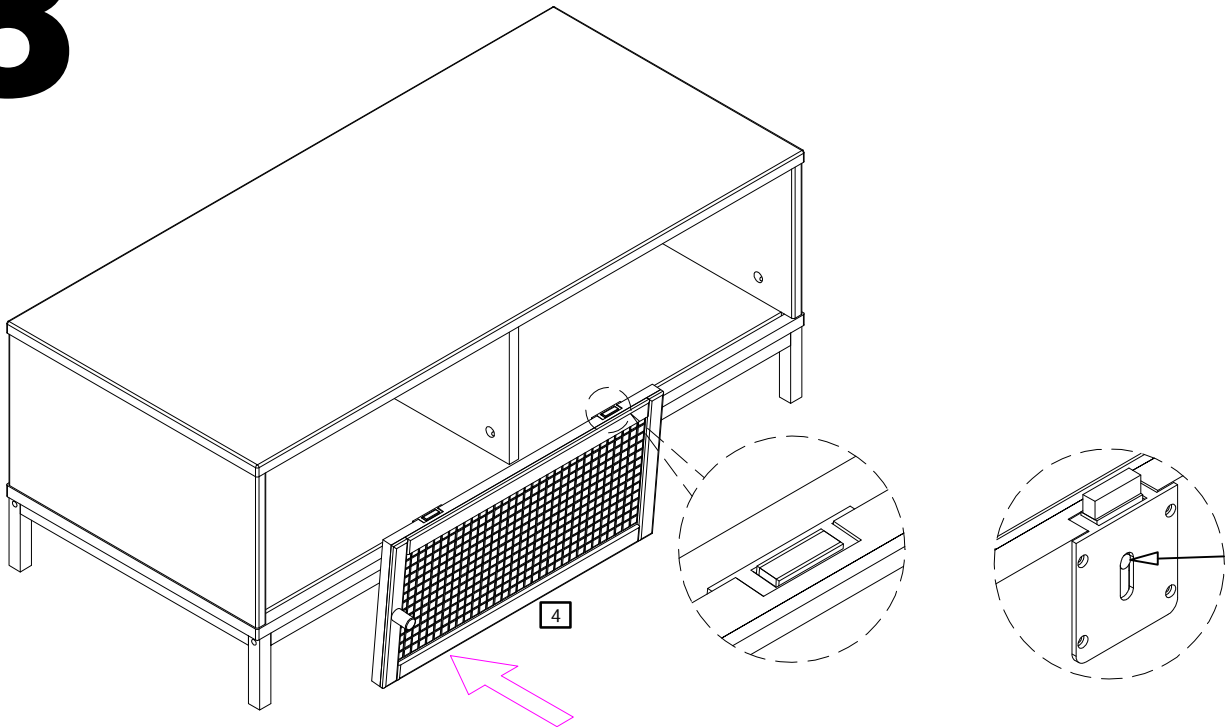
# 6



# 7



# 8



# 9

