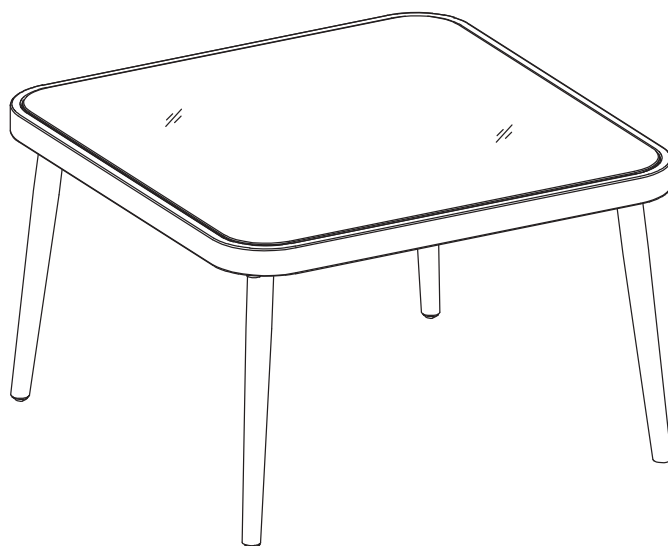



Somerset Corner Sofa Set-Table

habitat 



Spare Parts

 www.argos-support.co.uk

 Help@ClickSpares.co.uk

 0370 112 1928

Customer Support

 0345 640 2020



Safety and Care Advice

Product Details

1935246/1259506

IMPORTANT, RETAIN FOR FUTURE REFERENCE: READ CAREFULLY.

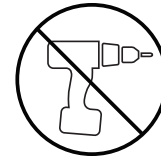
- Keep children and animals away from the work area, small parts could choke if swallowed.

- Make sure you have enough space to layout the parts before starting.

- This product has been constructed to be used in the domestic environment only and not for commercial purposes.

- Assemble the item as close to its final position (in the same room) as possible.

- Assemble on a soft level surface to avoid damaging the unit or your floor.



- We do not recommend the use of power drill/drivers for inserting screws as this could damage the unit. Only use hand screwdrivers.

- Parts of the assembly will be easier with 2 people.

- Dispose of all packaging carefully and responsibly.

Care and maintenance

- During assembly do not lay the glass directly onto hard or rough surfaces. We recommend laying the glass on a blanket or cardboard during assembly. You could even use the box.

- When lifting or moving the product, ask for someone to lend a hand, trying to move a product on your own can lead to accidents.

- Do not place very hot or very cold items, such as saucepans or barbecues, directly on the glass surface. Extreme temperature differences over small areas can damage glass.

- Do not use furniture if any parts are missing or broken. Contact your retailer immediately.

- Do not drag rough or heavy objects over the top of the glass.

- Do not strike the glass with hard or pointed items, or use the glass as a chopping surface.

- We recommend using place mats, coasters and table cloths to help protect against scratches and accidentally dropped items.

- Clean the glass regularly to make sure there are no grit on the top.

- Do not clean glass with washing powders or any other substances containing abrasives, since these substances can scratch glass.

- For tables that can be used outdoors, if your table has a parasol, make sure the edge of the parasol cut-out has a protector in place. In addition always use a weighted parasol base, and remove the parasol in windy conditions. Parasols can put pressure on the table top or even blow the table over in windy weather.

- For tables that can be used outdoors it is advised that the table is kept covered when not in use to protect the glass from the weather and accidental damage.

- Do not sit or stand upon the glass surface.

Additional Guidance

- Assemble all parts and bolts loosely during assembly, only once the product is complete should you fully tighten the bolts.

- Regularly check and ensure that all bolts and fittings are tightened properly.

- The unit weight approximately 10 kgs.

- Do not fully tighten all screws until assembly is completed.

- Make sure the assemble will be easier with 2 people.

- This product is compliant BS EN581-1; BS EN581-3.

Argos Limited, 489-499 Avebury Boulevard, Milton Keynes, MK9 2NW. Argos (N.I.) Ltd, Forestside Shopping Centre, Upper Galwally, Belfast, United Kingdom, BT8 6FX. Argos Distributors (Ireland) Limited, Unit 7, Ashbourne Retail Park, Ballybin Road, Ashbourne, County Meath, Ireland.

Fittings (Shown to scale)

Bag 1



A
15mm Screw x 12



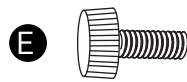
B
Washer x 12



C
Screw cap x 12

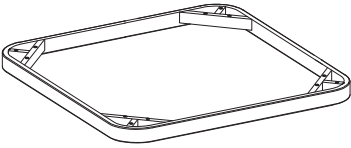


D
Allen key x 1

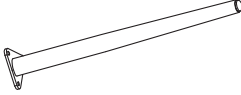


E
Adjustable Screw Foot Cap x 4
(assembled)

Components



9 Table Top Frame
(700x700x35mm)

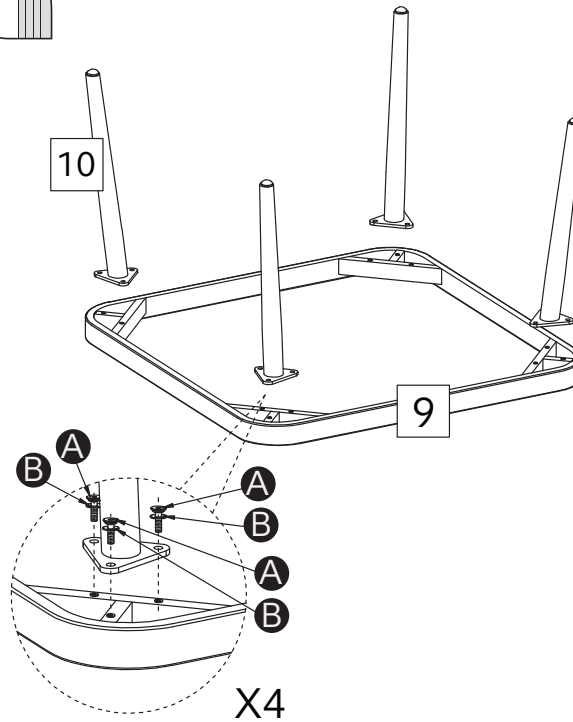
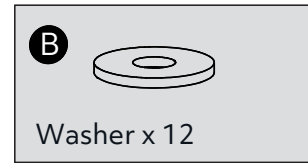
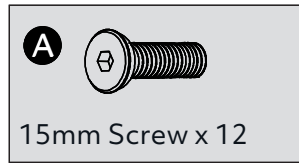
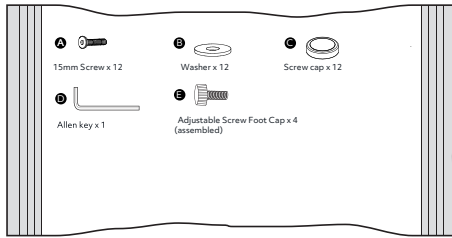


10 Table Leg (x4)
(Diam 35x390mm)



11 Table Glass
(666x666x5mm)

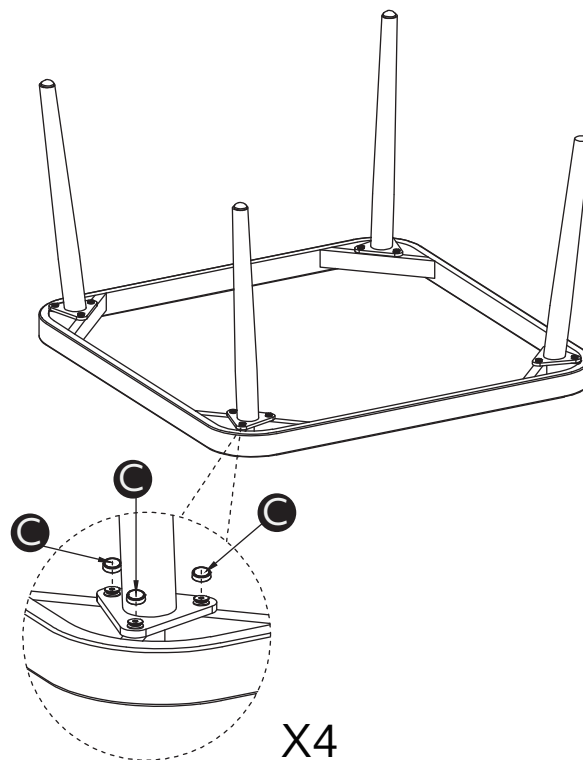
1



Repeat x4

NOTE: During assembly do not lay the glass directly onto hard or rough surfaces. We recommend laying the glass on a blanket or cardboard during assembly. You could even use the box.

2



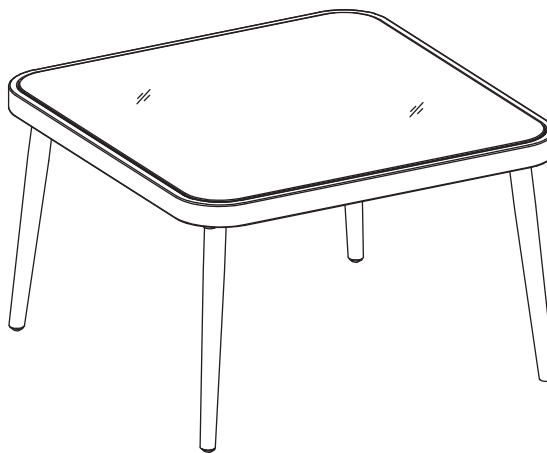
Repeat x4

3



NOTE: Be careful and do not scratch the glass top during the assembling.

4



Assembly is completed.