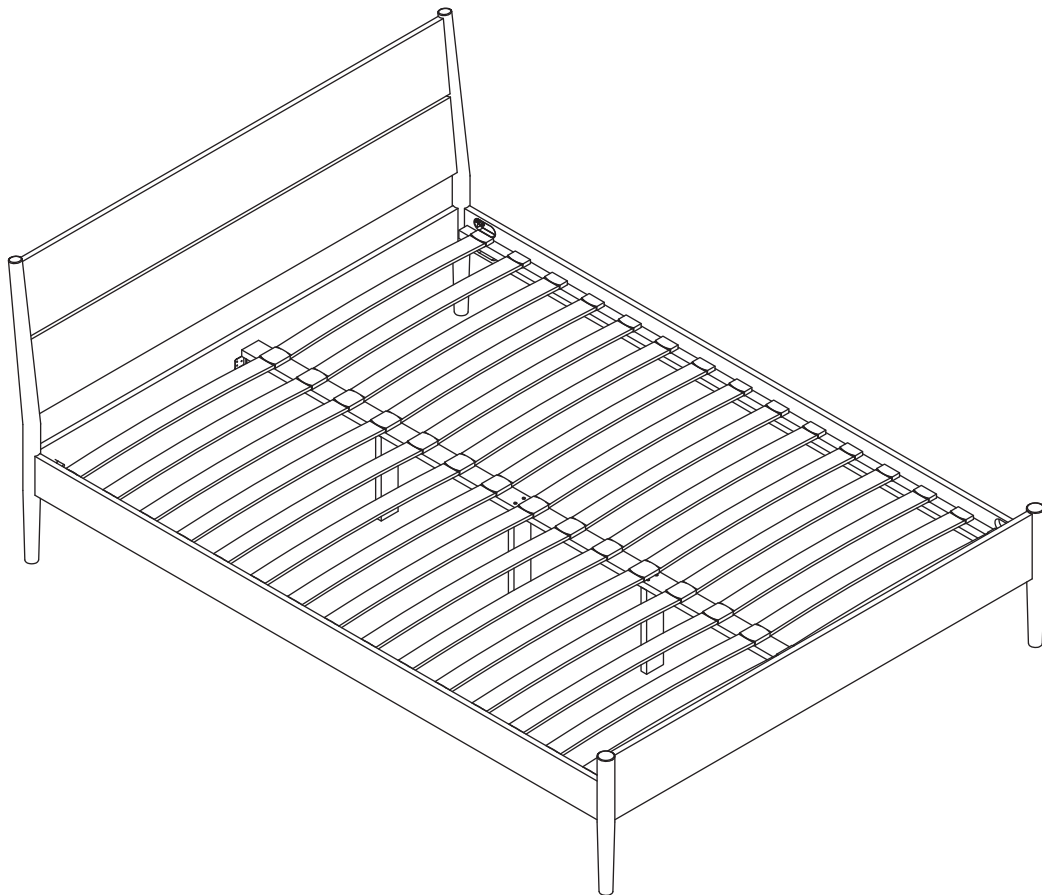


SCOTTIE KING BED

habitat 



Spare Parts

 www.argos-support.co.uk

 Help@ClickSpares.co.uk

 0370 112 1928

Customer Support

 0345 640 2020



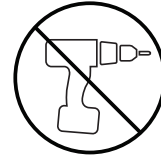
Safety and Care Advice

Product Details

Scottie King Bed 1933774 Oak

IMPORTANT, RETAIN FOR FUTURE REFERENCE: READ CAREFULLY.

- Keep children and animals away from the work area, small parts could choke if swallowed.
- Assemble the item as close to its final position (in the same room) as possible.
- Assemble on a soft level surface to avoid damaging the unit or your floor.
- We do not recommend the use of power drill/drivers for inserting screws as this could damage the unit. Only use hand screwdrivers.
- Parts of the assembly will be easier with 2 people.
- Dispose of all packaging carefully and responsibly.



Care and maintenance

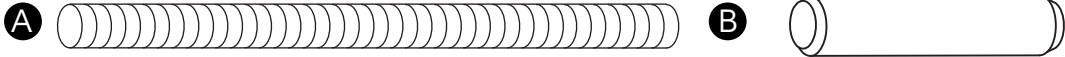
- Only clean using a damp cloth and mild detergent. Do not use abrasive cleaners.
- From time to time check that there are no loose screws, nuts or bolts. If there are please re-tighten.
- This product should not be discarded with household waste. Take to your local authority waste disposal centre.
- Use a dry cloth to clean the product, furniture polish is not recommended.

Additional Guidance

- Assemble all parts and bolts loosely during assembly, only once the product is complete should you fully tighten the bolts.
- Regularly check and ensure that all bolts and fittings are tightened properly.
- Max individual user weight 100kg
- This product is compliant EN1725
- Any additional or replacement parts are obtained from the manufacturer.

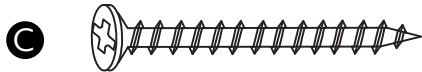
Fittings (Shown to scale)

Bag 1



80mm Bolt x8

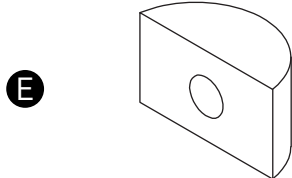
40mm Dowel x4



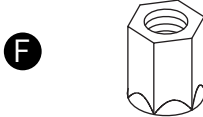
50mm Screw x6



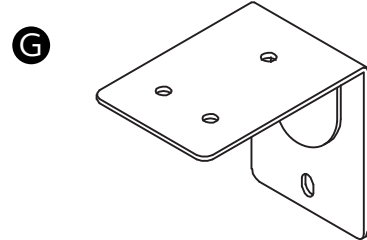
15mm Screw x8



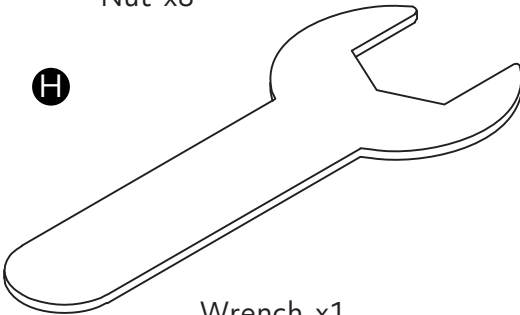
Half moon washer x8



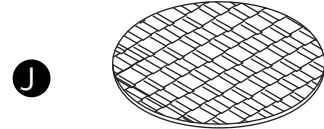
Nut x8



43mm Hanger iron x2

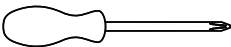


Wrench x1



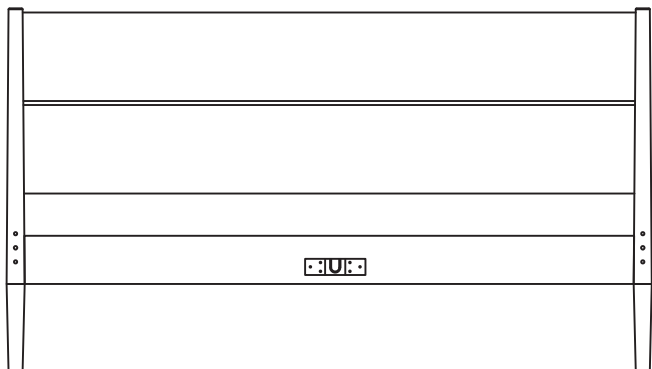
Felt pad x 4

Tools required

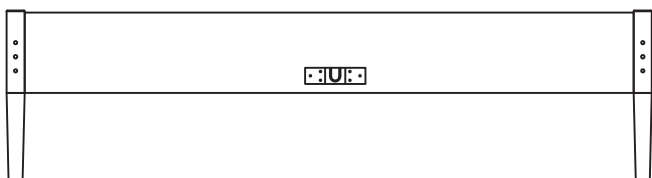


Phillips screwdriver
(small & medium)

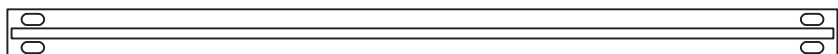
Panels



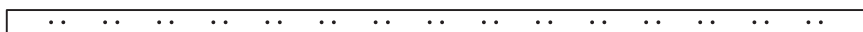
1 Head Board x 1
(1585 x 900mm)



2 Foot Board x 1
(1585 x 420mm)



3 Side Panel x 2
(2010 x 130mm)



4 Center rail x 1
(2025 x 60mm)



5 Support Leg x 3
(265 x 60mm)



6 End Cap x 30

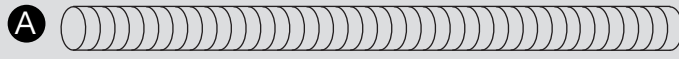


7 Slats x 30
(755 x 55mm)



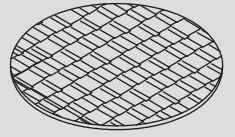
8 Connector x 15

1

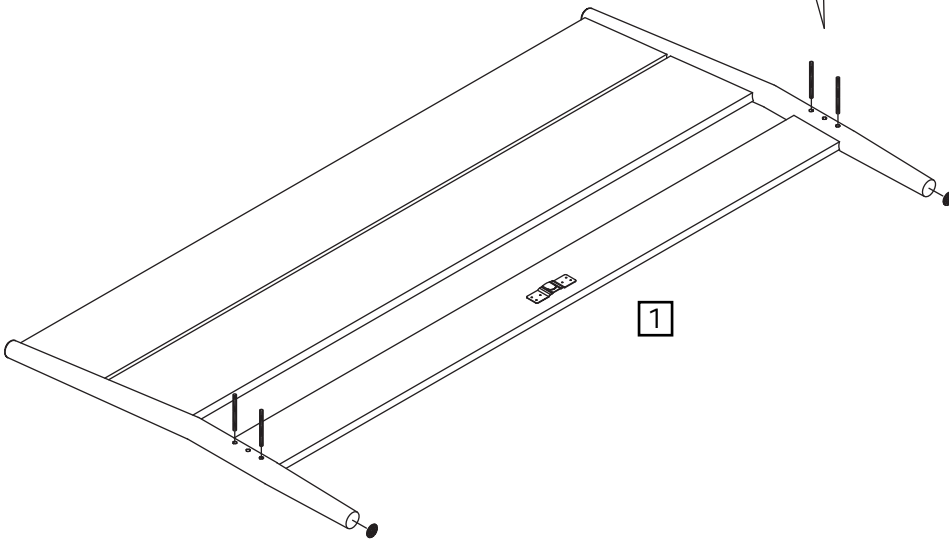
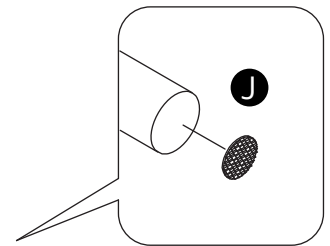
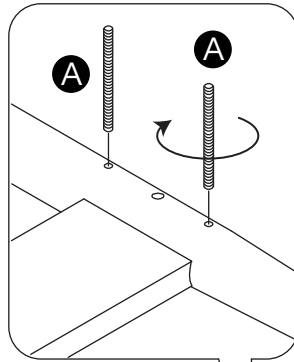


80mm Bolt x8

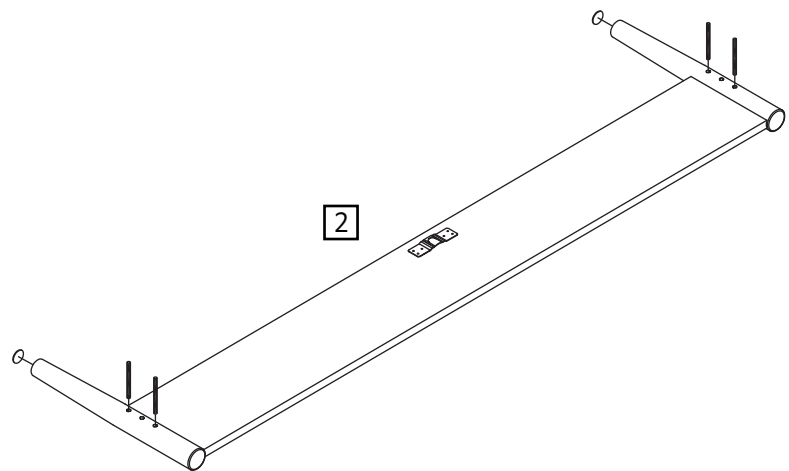
J



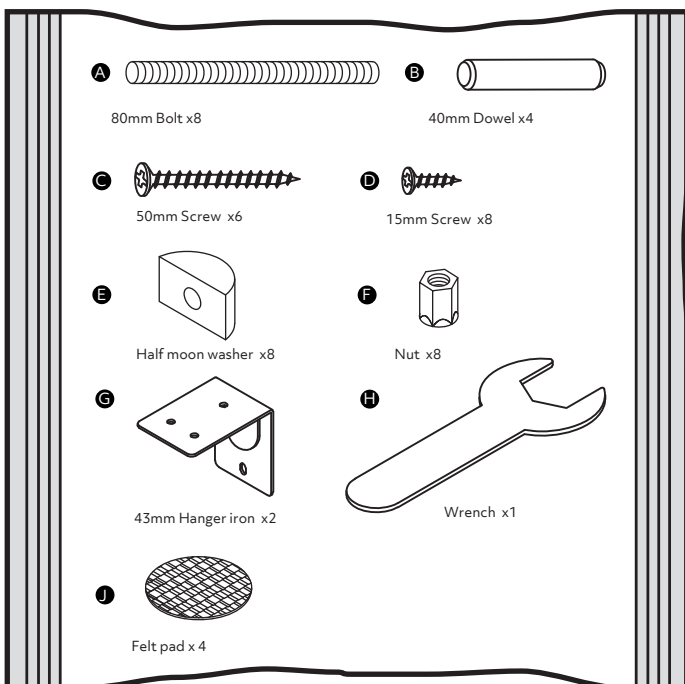
Felt pad x 4



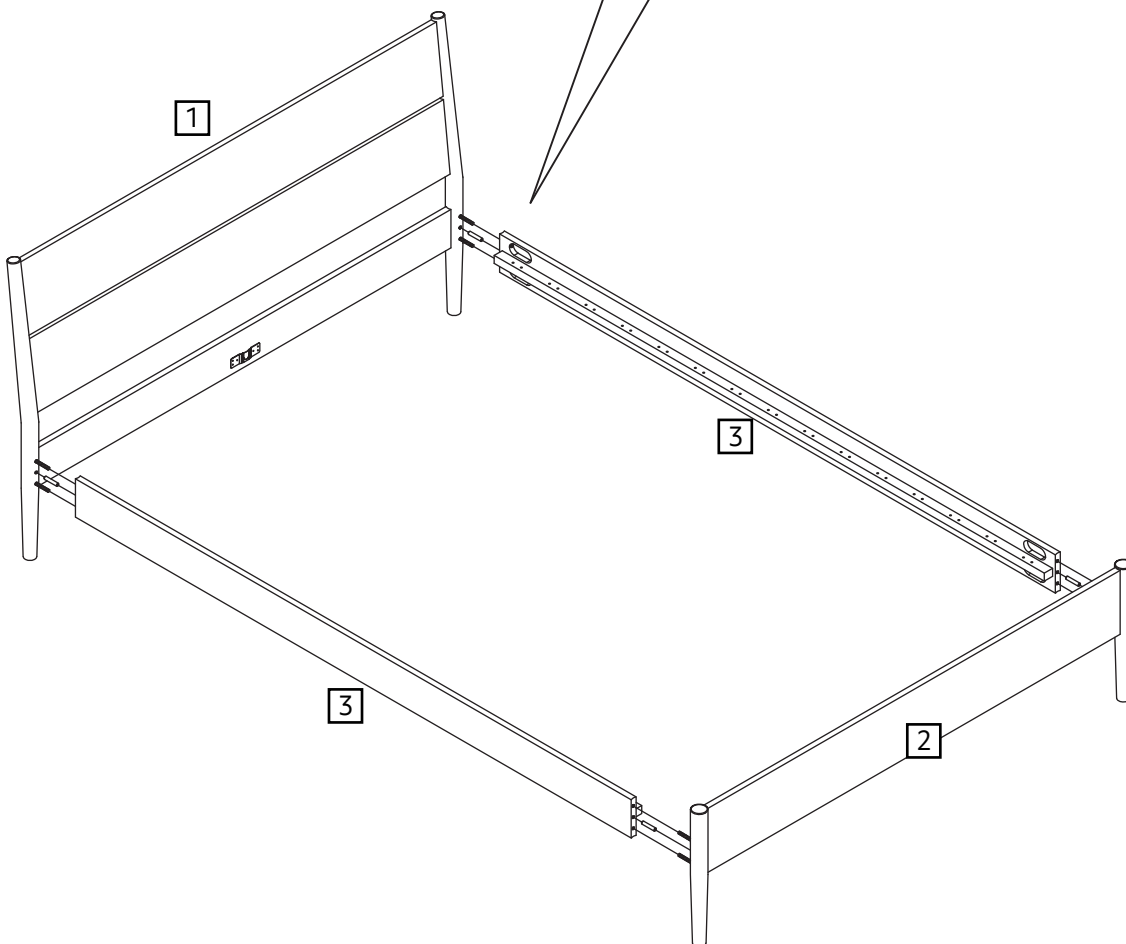
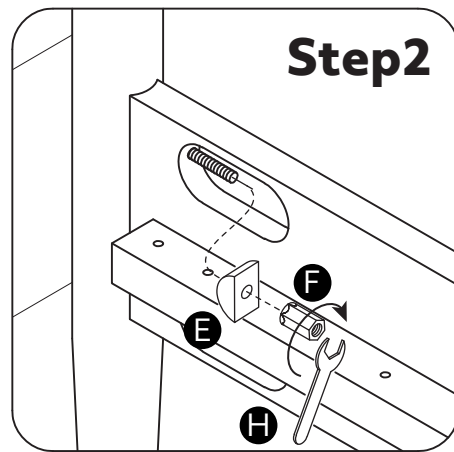
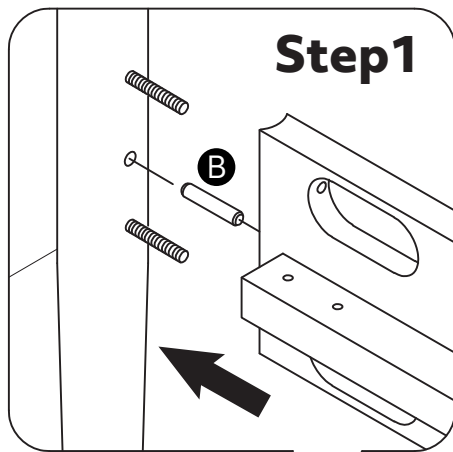
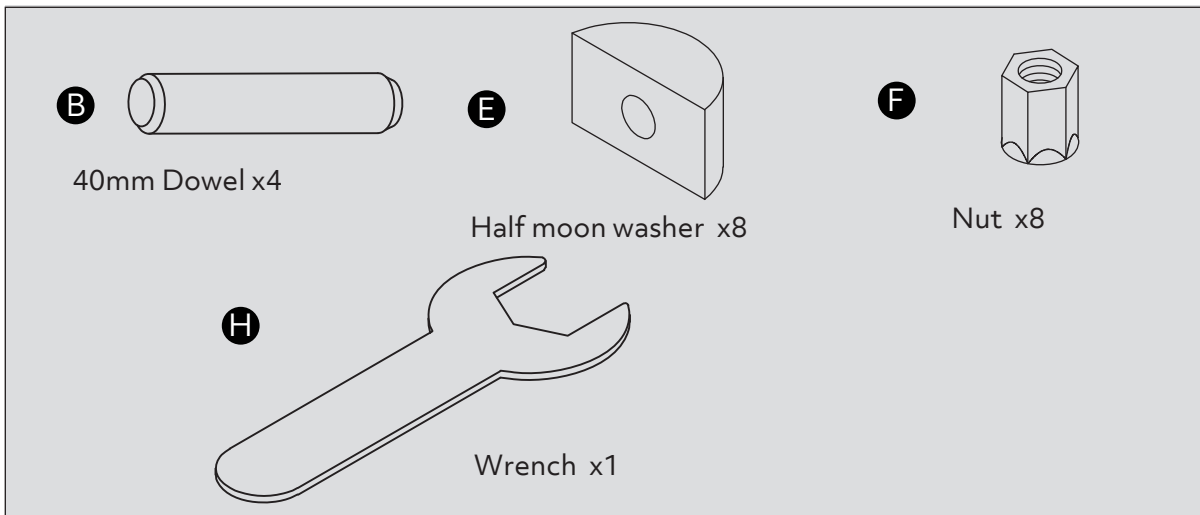
1



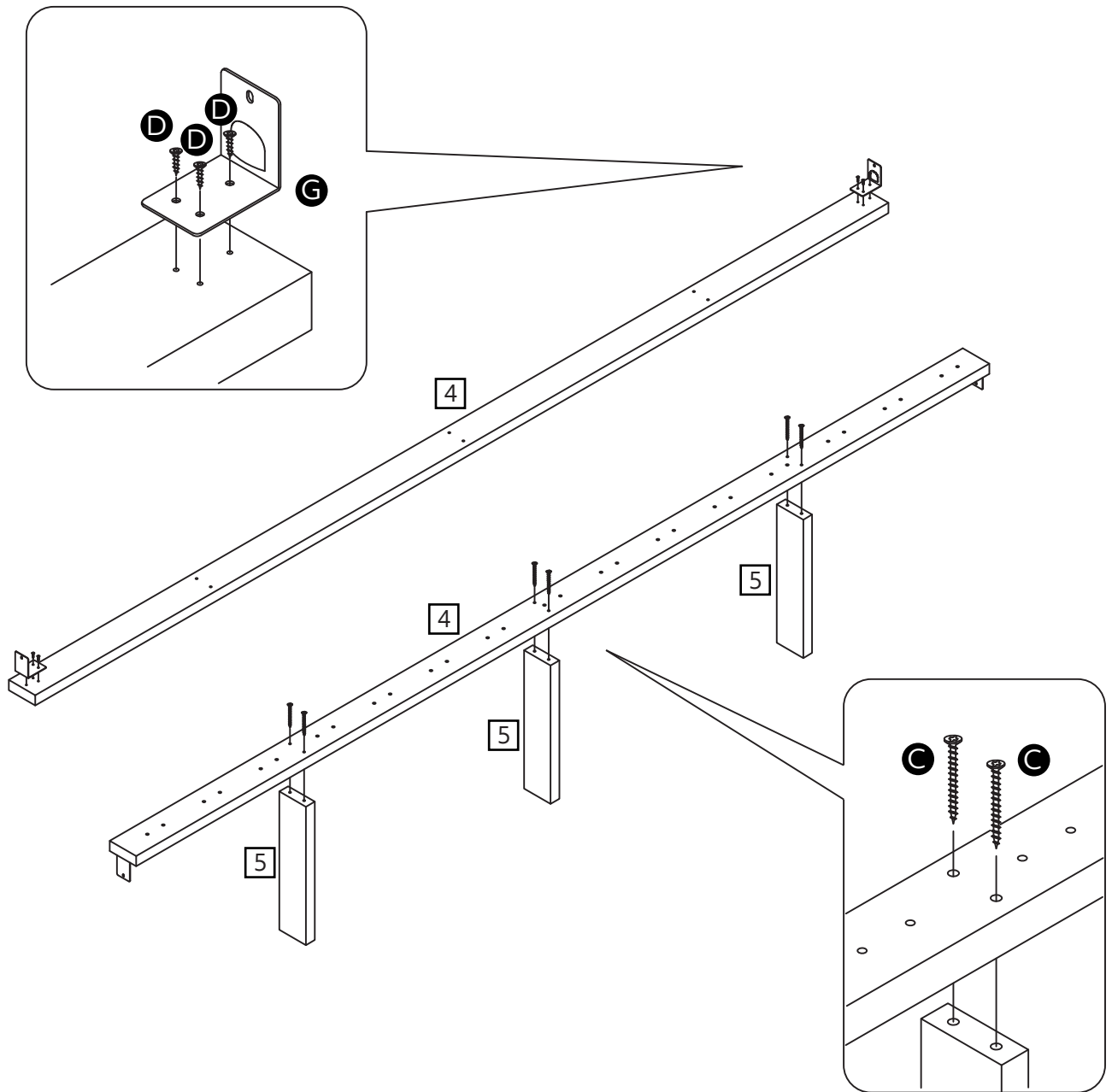
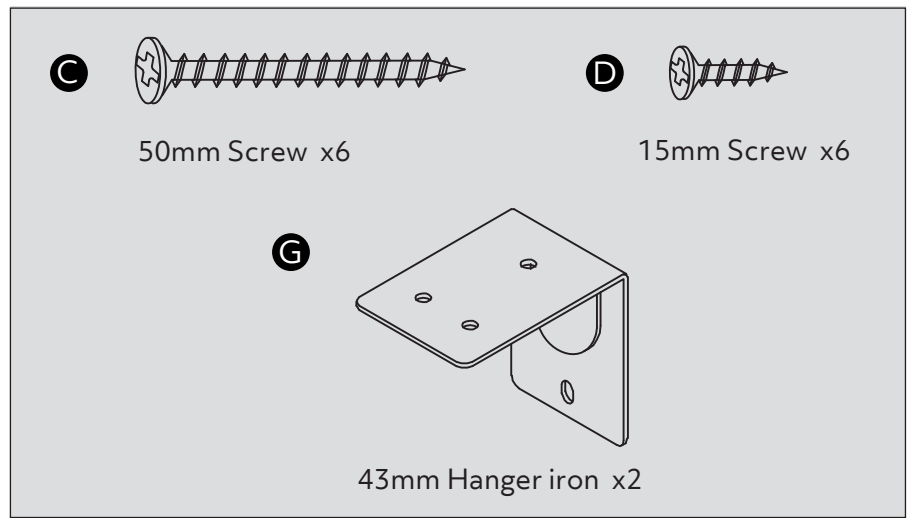
2



2



3

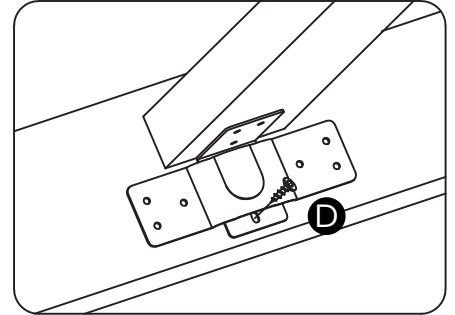
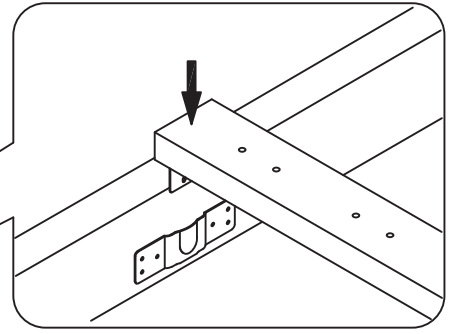
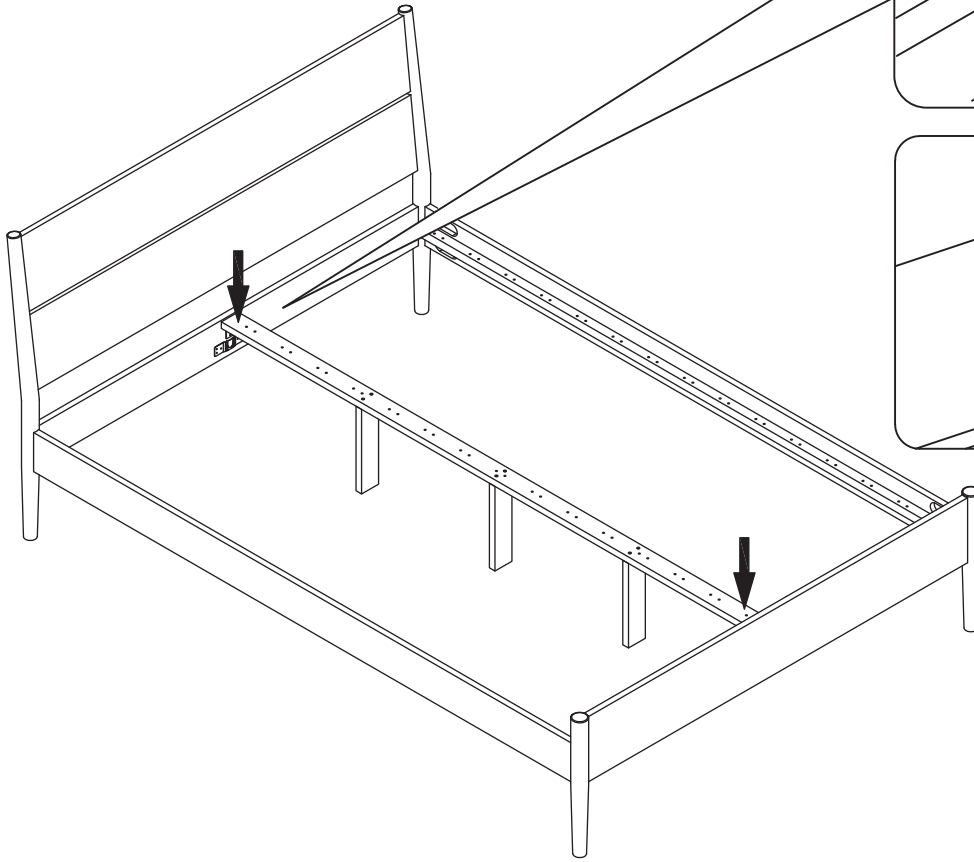


4

D

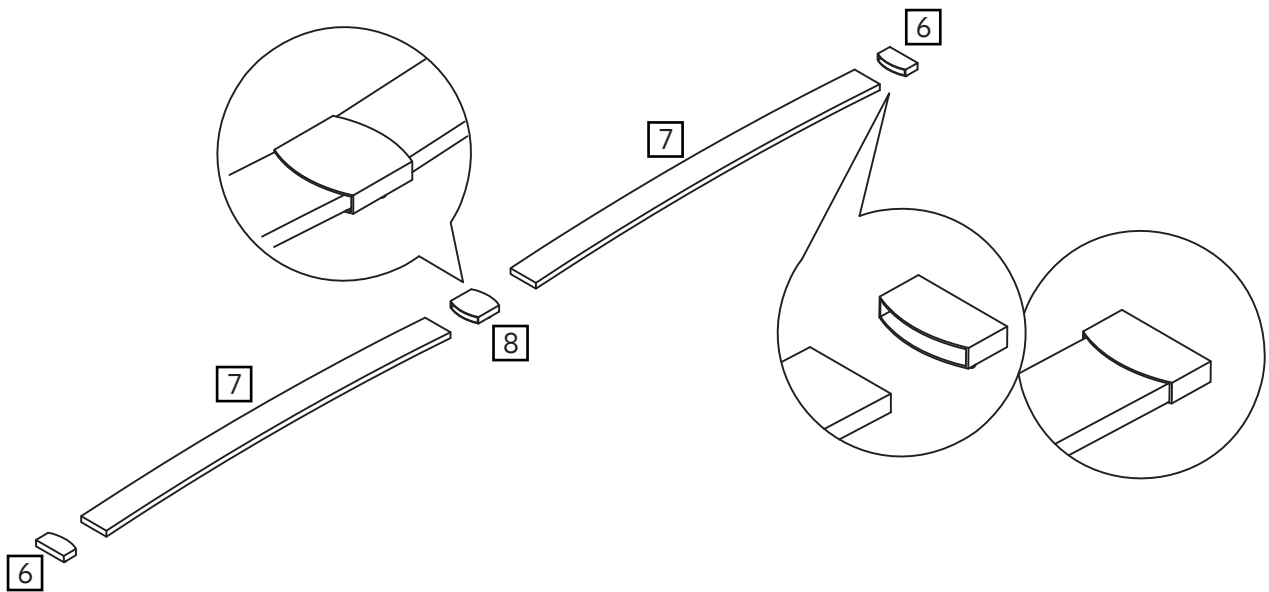


15mm Screw x2

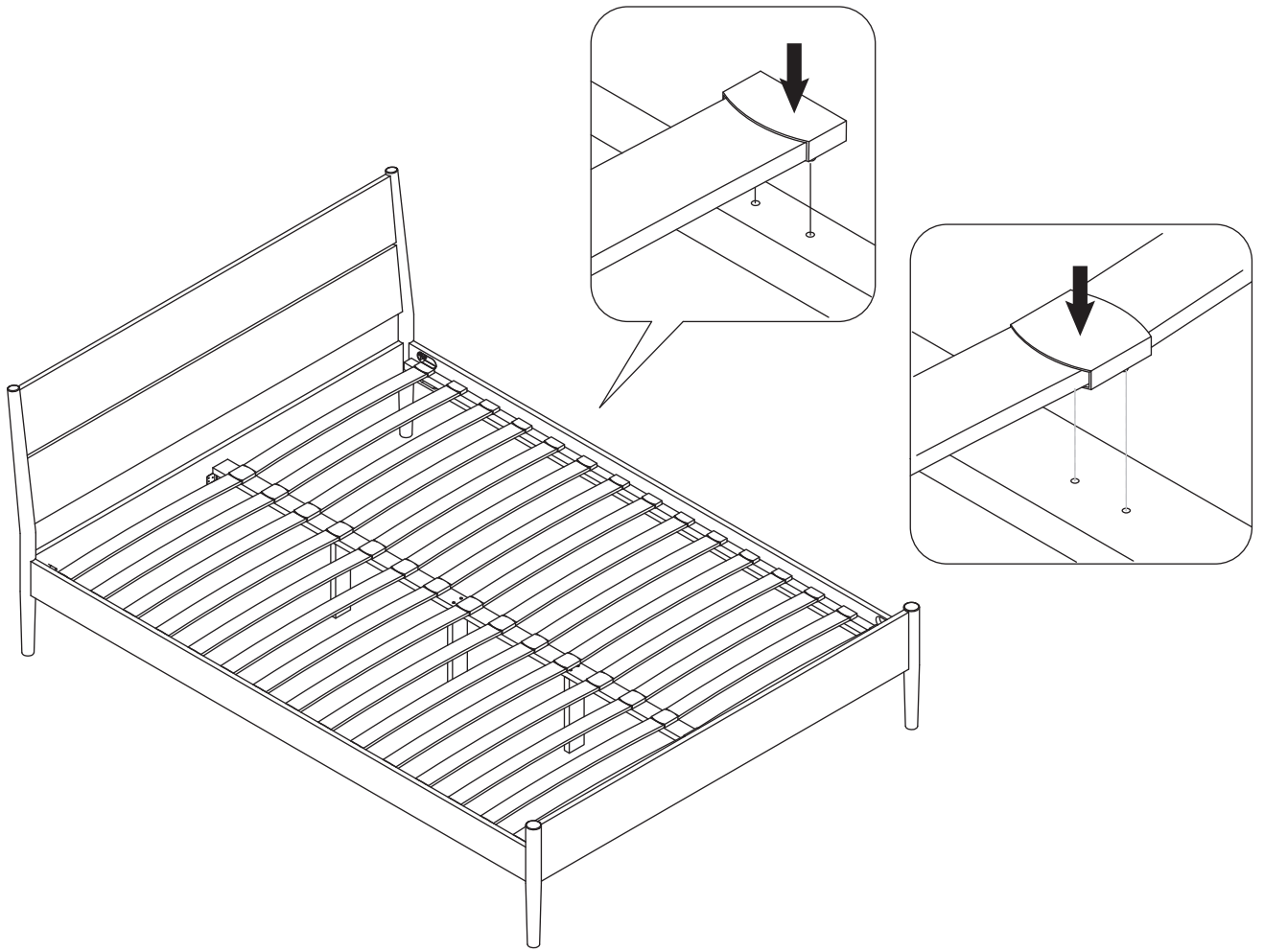


5

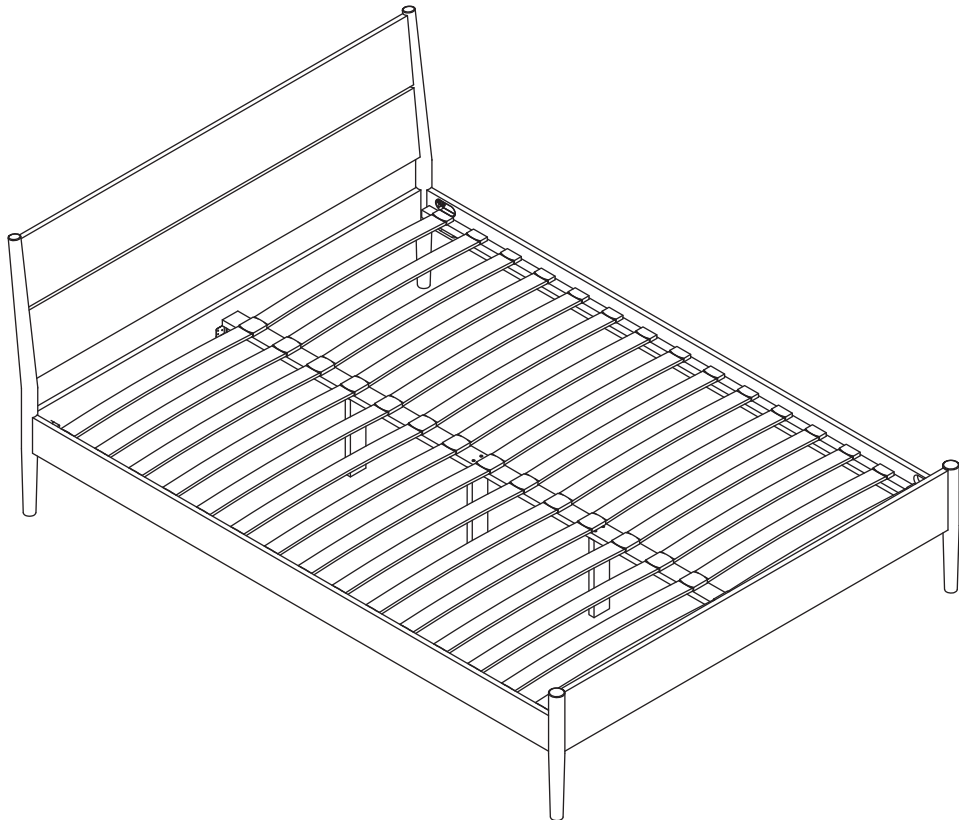
x15



6



7



Assembly is complete.