

Seville - 5 Drawer Chest

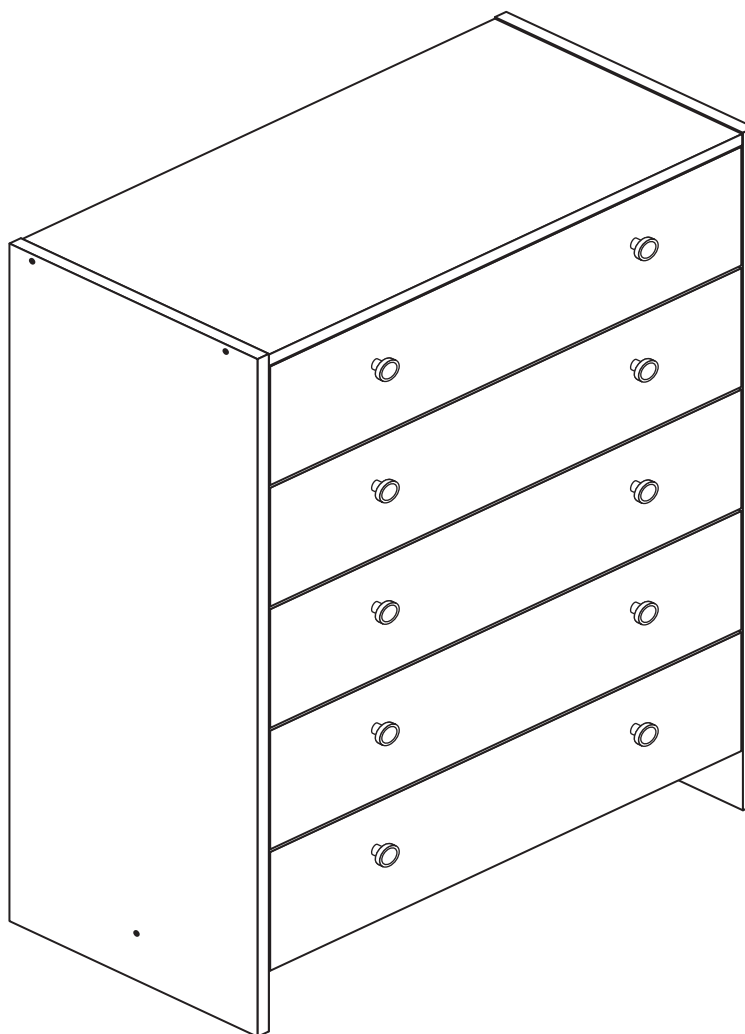
Assembly Instructions - Please keep for future reference

184/9198

189/6385

145/0862

184/8319



Dimensions

Width - 66cm

Depth - 33cm

Height - 91cm



**MADE IN
BRITAIN**

Important - Please read these instructions fully before starting assembly

If you need help or have damaged or missing parts, call the **Customer Helpline: 0870 112 1928** or email: Help@ClickSpares.co.uk (quoting your original order number)



Safety and Care Advice

Important - Please read these instructions fully before starting assembly

- **Warning:** This unit weighs approximately 21kgs. Please lift with care.

- Check you have all the components and tools listed on pages 2 and 3.

- Remove all fittings from the plastic bags and separate them into their groups.

- Keep children and animals away from the work area, small parts could choke if swallowed.

- Parts of the assembly will be easier with 2 people.

- Make sure you have enough space to layout the parts before starting.

- Do not stand or put weight on the product, this could cause damage.

- Assemble the item as close to its final position (in the same room) as possible.

- Assemble on a soft level surface to avoid damaging the unit or your floor (use opened out unit carton).



- We do not recommend the use of power drill/drivers **for inserting screws**, as this could damage the unit. Only use hand screwdrivers.

- **Safety note:** It is recommended that this unit is secured to a wall using the bracket supplied.

- Dispose of all packaging carefully and responsibly.

Care and maintenance

- Only clean using a damp cloth and mild detergent, do not use bleach or abrasive cleaners.

- From time to time check that there are no loose screws on this unit.

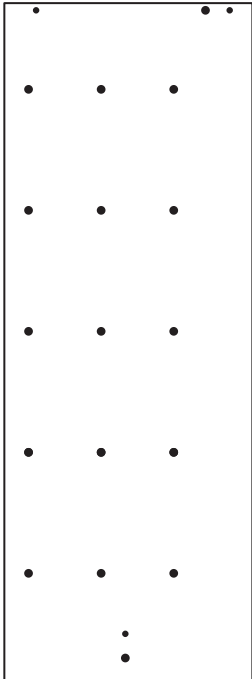
- This product should not be discarded with household waste. Take to your local authority waste disposal centre.

Note: If required the next page can be cut out and used as reference throughout the assembly. Keep this page with these instructions for future reference.

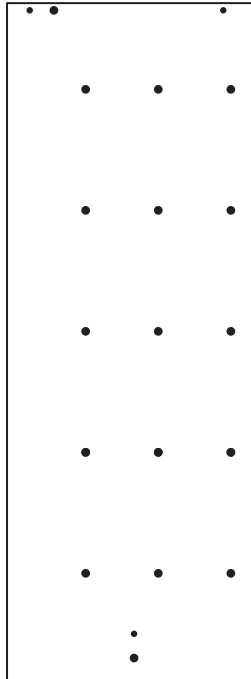
Components - Panels

If you have damaged or missing components, call the **Customer Helpline: 0870 112 1928** or email: **Help@ClickSpares.co.uk** (quoting your original order number and the reference numbers below)

Please check you have all the panels listed below



1 Left Side (D2503A)
(896 x 328mm)



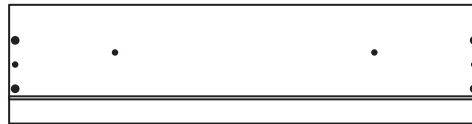
2 Right Side (D2504A)
(896 x 328mm)



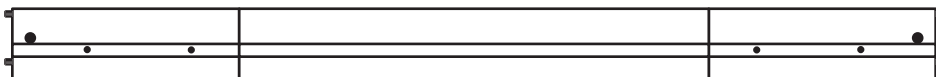
3 Top (D2488A)
(627 x 327mm)



4 Plinth (D2491A)
(627 x 80mm)



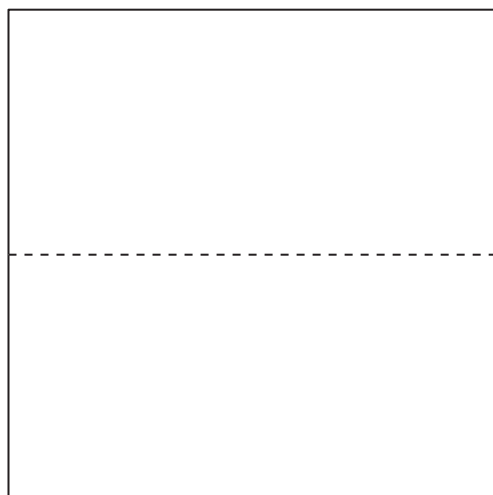
5 Drawer Front (D2492A)
(623 x 157mm) x 5



6 Drawer Wrap (WSAV)
(1221 x 95mm) x 5



7 Drawer Base (TSAV)
(299 x 608mm) x 5



8 Back (X653-648)
(653 x 648mm)

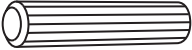
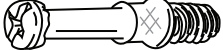





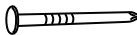
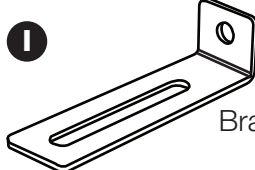
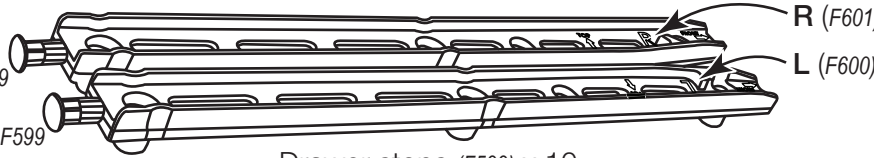


Components - Fittings

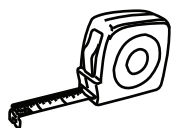
If you have damaged or missing components, call the **Customer Helpline: 0870 112 1928** or **email: Help@ClickSpares.co.uk** (quoting your original order number and the reference numbers below)

Please check you have all the fittings listed below

Note: The quantities below are the correct amount to complete the assembly. In some cases more fittings may be supplied than are required.

<p>A </p> <p>Wooden dowel (F22) x 4</p>	<p>B </p> <p>Metal dowel (F901) x 10</p>	<p>C </p> <p>Small locking nut (F3) x 10</p>
<p>D </p> <p>40mm Screw (F910) x 6</p>	<p>E </p> <p>25mm Screw (F95) x 10</p>	<p>F </p> <p>13mm Screw (F79) x 1</p>
<p>G </p> <p>Handle (F300) x 10</p>	<p>H </p> <p>Nail (F51) x 15</p>	<p>I </p> <p>Bracket (F327) x 1</p>
<p>J </p> <p>Drawer stops (F599) x 10 Runners (F600) x 5 and (F601) x 5</p>		

Tools required



Rule



Cross-head screwdriver



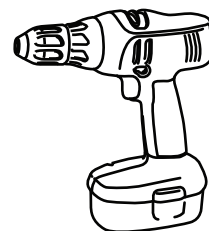
Scissors



Hammer

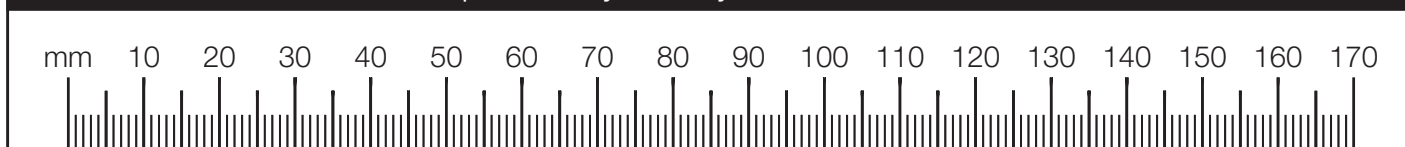


Eye protection (when using a hammer or drill)



Electric drill (do not use for fitting screws)

Ruler - Use this ruler to help correctly identify the screws



Assembly Instructions

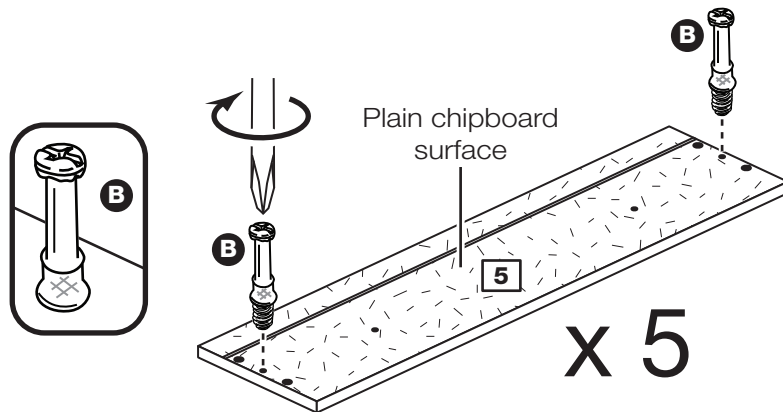
If you have damaged or missing components, call the Customer Helpline: 0870 112 1928 or email: Help@ClickSpares.co.uk (quoting your original order number and the reference numbers below)

Step 1

Prepare the drawer fronts

Screw 2 metal dowels **B** into each of the drawer fronts **5**.

Note: Tighten the metal dowels up fully against the panel.

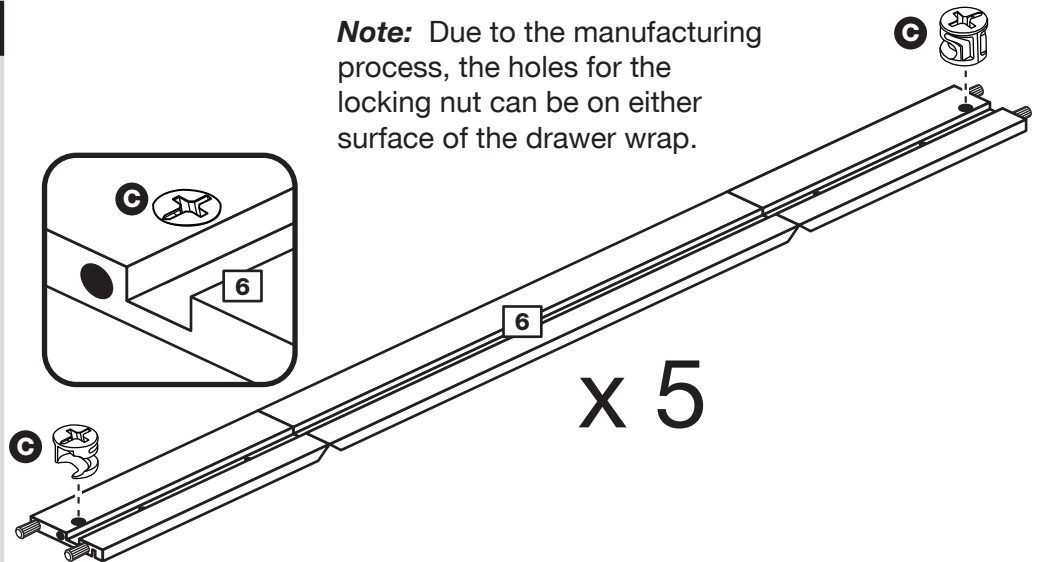


Step 2

Prepare the drawer wraps

Insert 2 small locking nuts **C** into each of the drawer wraps **6**.

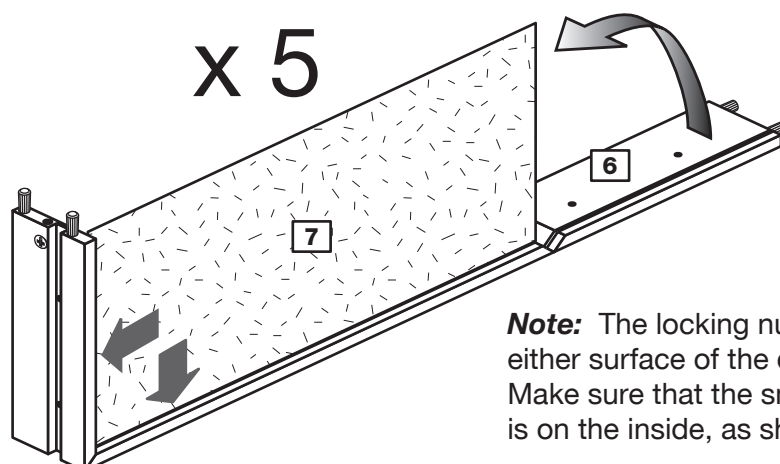
Note: The arrow on the locking nut **must** point towards the hole in the edge of the panel.



Step 3

Fit the drawer base

Place the drawer base **7** into the narrow slot on the drawer wrap **6**. Fold the wrap around the drawer base.



Note: The locking nuts can be on either surface of the drawer sides. Make sure that the small groove is on the inside, as shown.

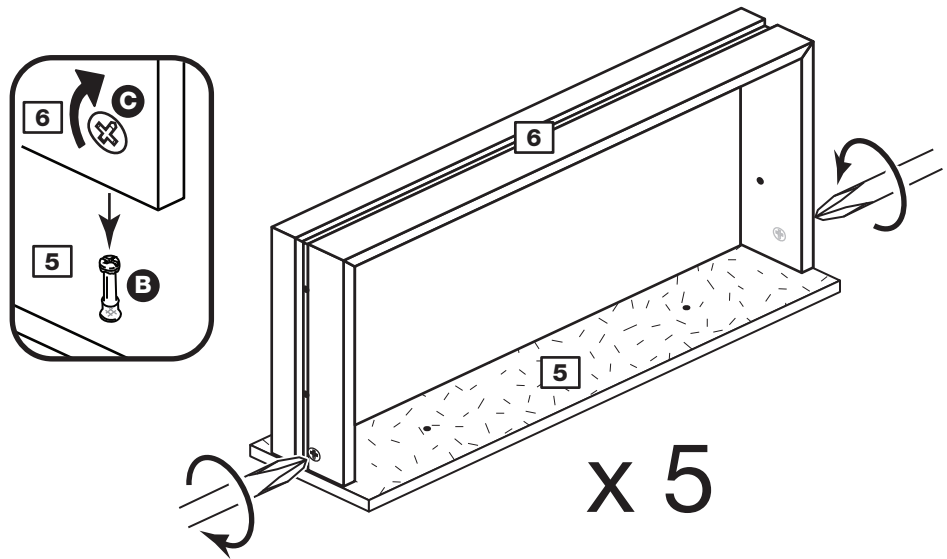
Assembly Instructions

Step 4

Fit the drawer front

Turn drawer wrap **6** assembly over and push it onto the back of the drawer front **5**.

Note: Turn the locking nuts **C** clockwise to secure the panels - more than 1/2 a turn.

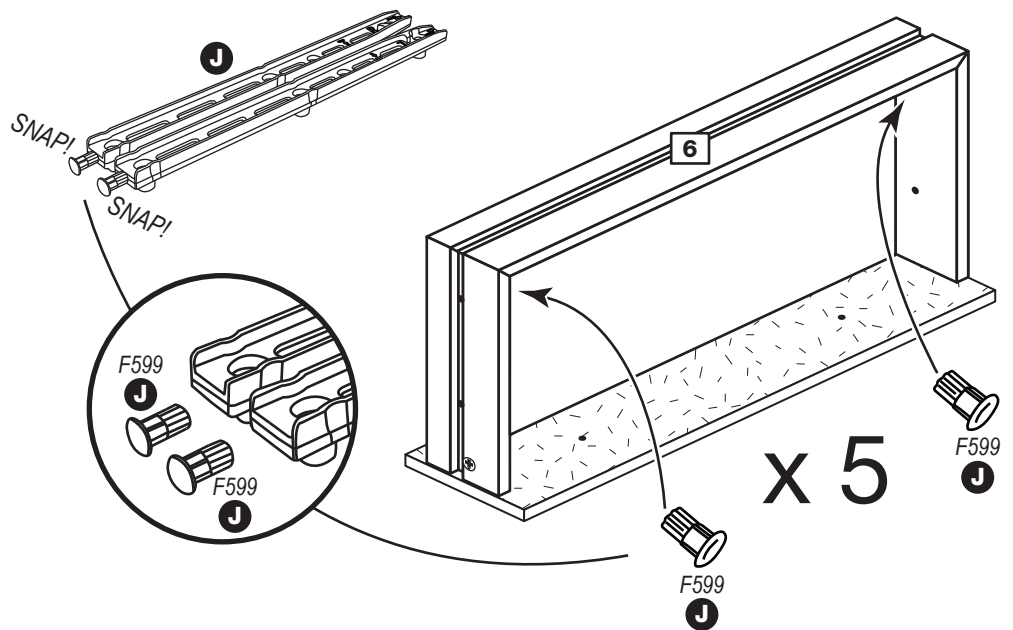


Step 5

Attach the drawer stops

Carefully break off 2 drawer stops (F599) from a set of drawer runners **J**.

Push the drawer stops fully through the drawer wrap **6** from the inside.

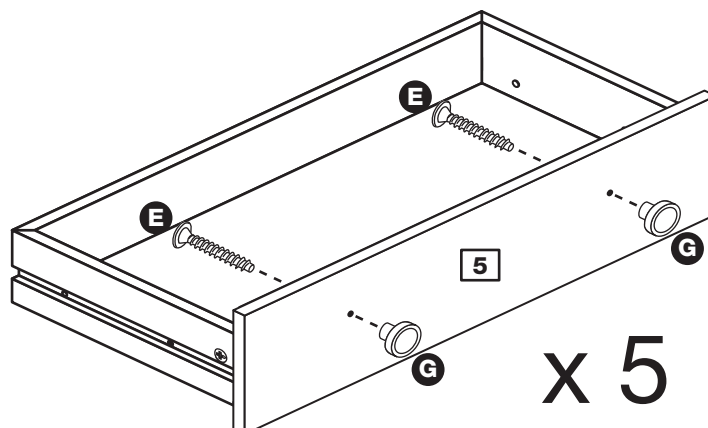


Step 6

Attach the handles

Attach 2 handles **G** to each of the 5 drawer fronts **5** using 2 screws **E**.

Note: Do not overtighten the screws.



Assembly Instructions

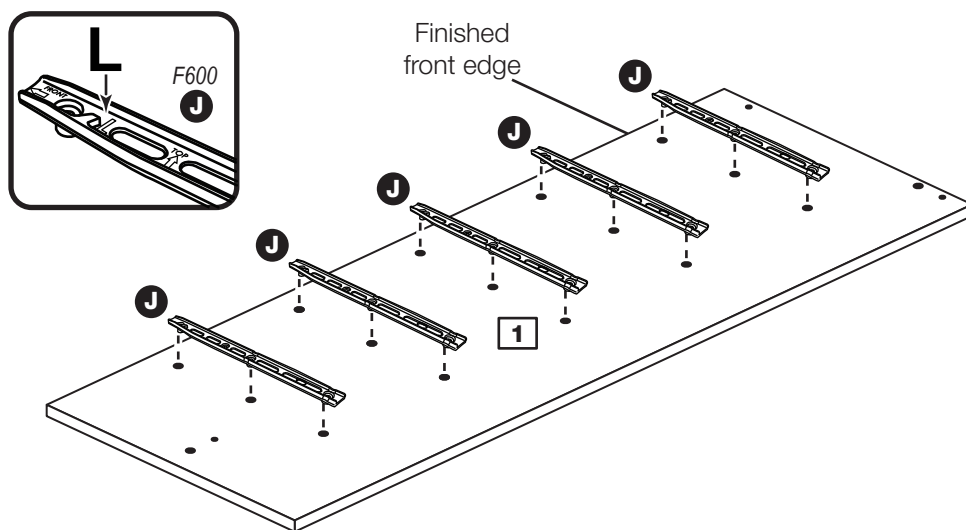
Step 7

Prepare the left side

Separate the runners **J**.

Push fit 5 left runners **J** marked 'L' into the left side **1**.

Note: Runners must be fitted flat against the panel. If necessary gently tap into final position.

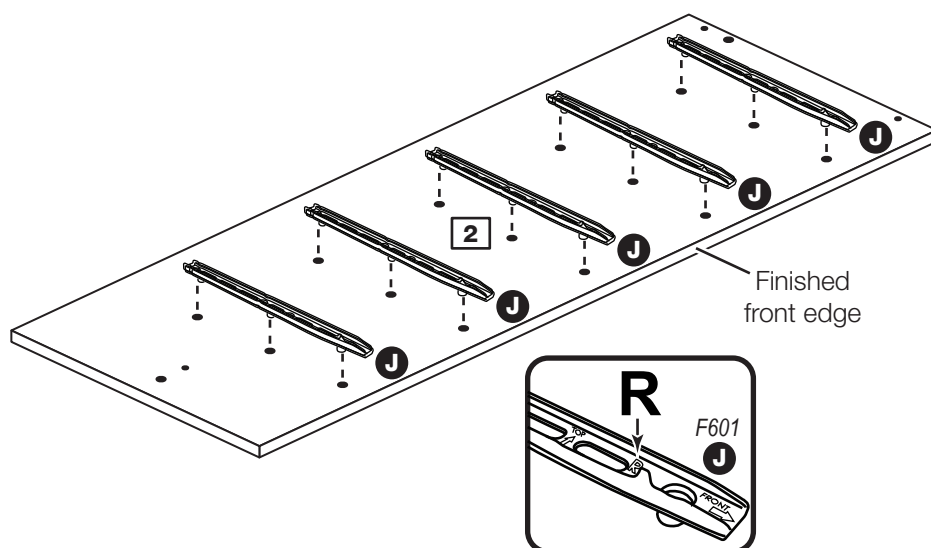


Step 8

Prepare the right side

Push fit 5 right runners **J** marked 'R' into the right side **2**.

Note: Runners must be fitted flat against the panel. If necessary gently tap into final position.

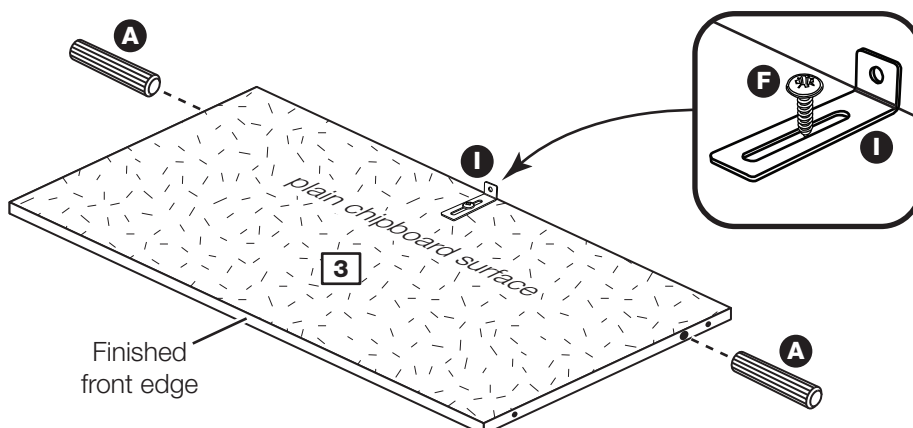


Step 9

Prepare the top

Tap 2 wooden dowels **A** into the top **3**.

Fix the bracket **I** in the middle of the top **3**, flush to the back edge using screw **F**.

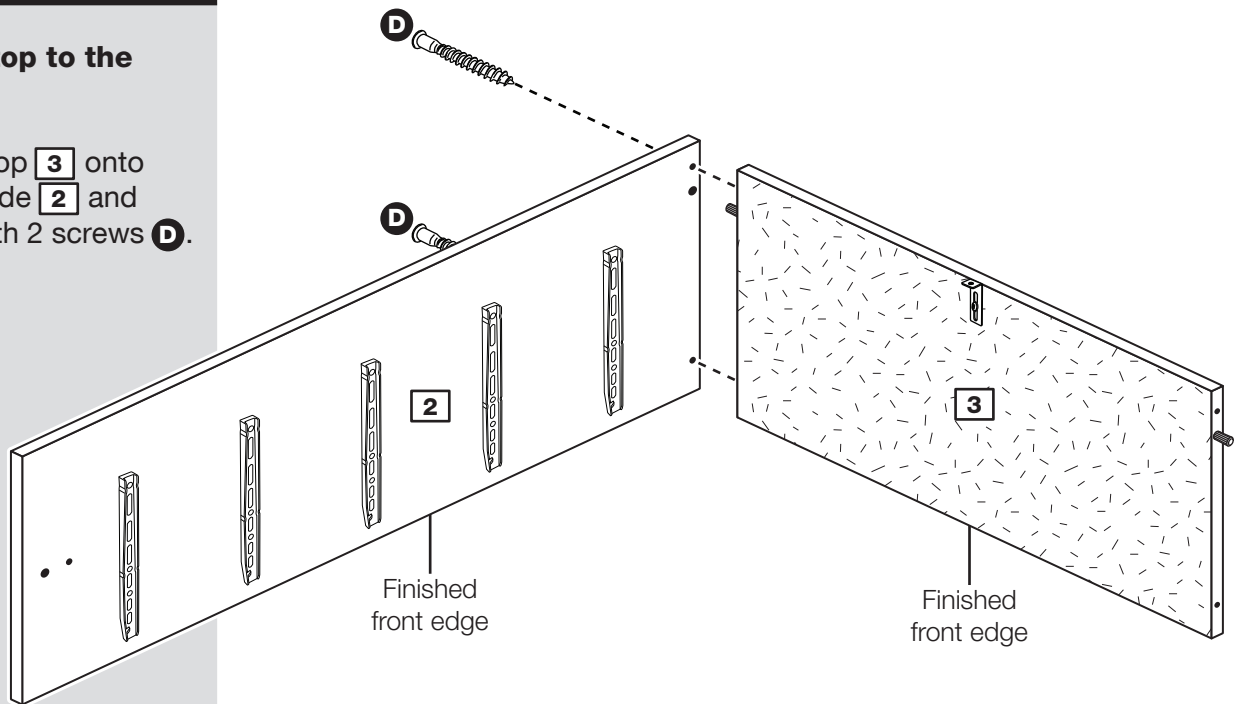


Assembly Instructions

Step 10

Join the top to the right side

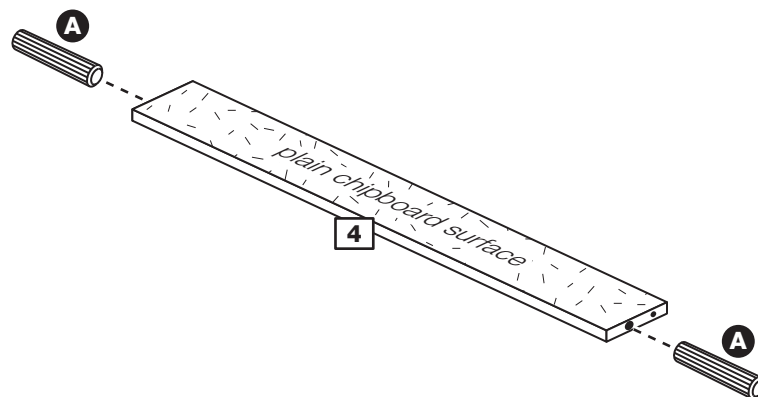
Push the top **3** onto the right side **2** and secure with 2 screws **D**.



Step 11

Prepare the plinth

Tap 2 wooden dowels **A** into the plinth **4**.

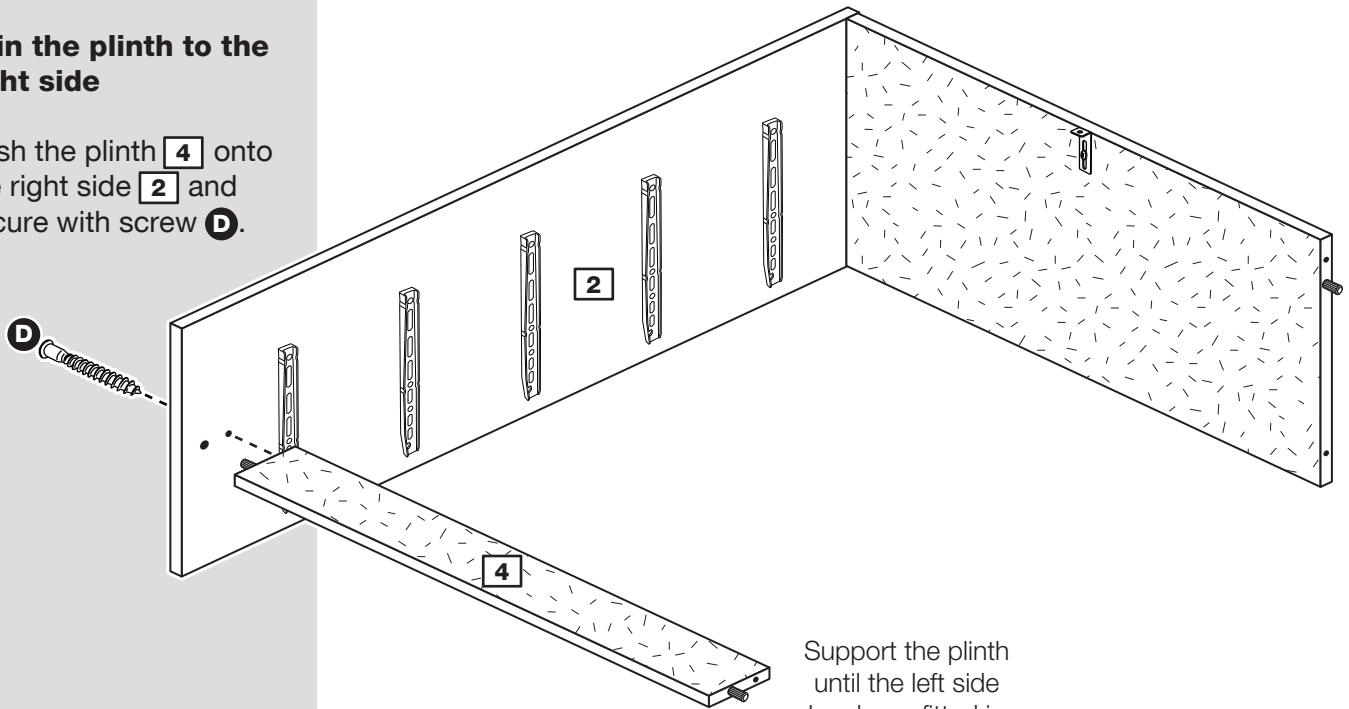


Assembly Instructions

Step 12

Join the plinth to the right side

Push the plinth **4** onto the right side **2** and secure with screw **D**.

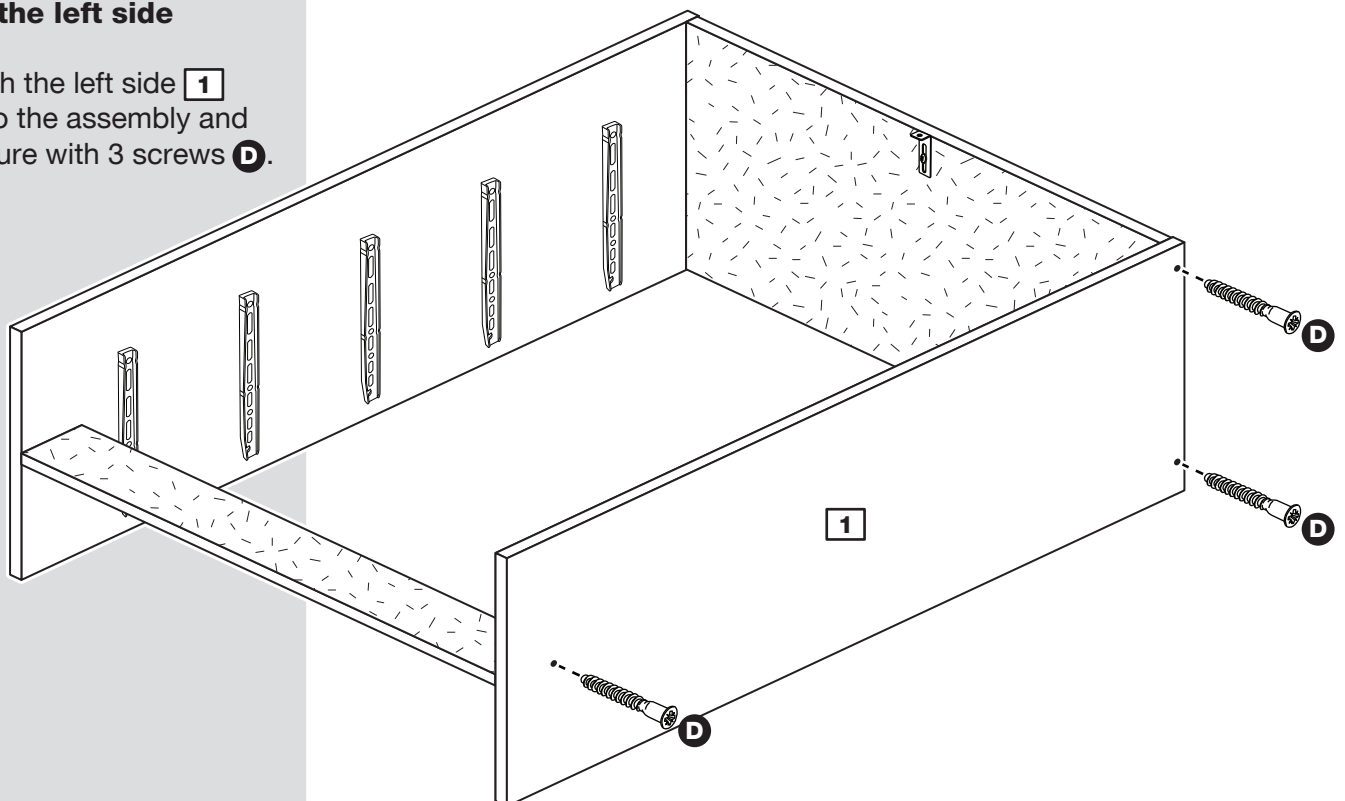


Support the plinth until the left side has been fitted in the next step.

Step 13

Fit the left side

Push the left side **1** onto the assembly and secure with 3 screws **D**.



Assembly Instructions

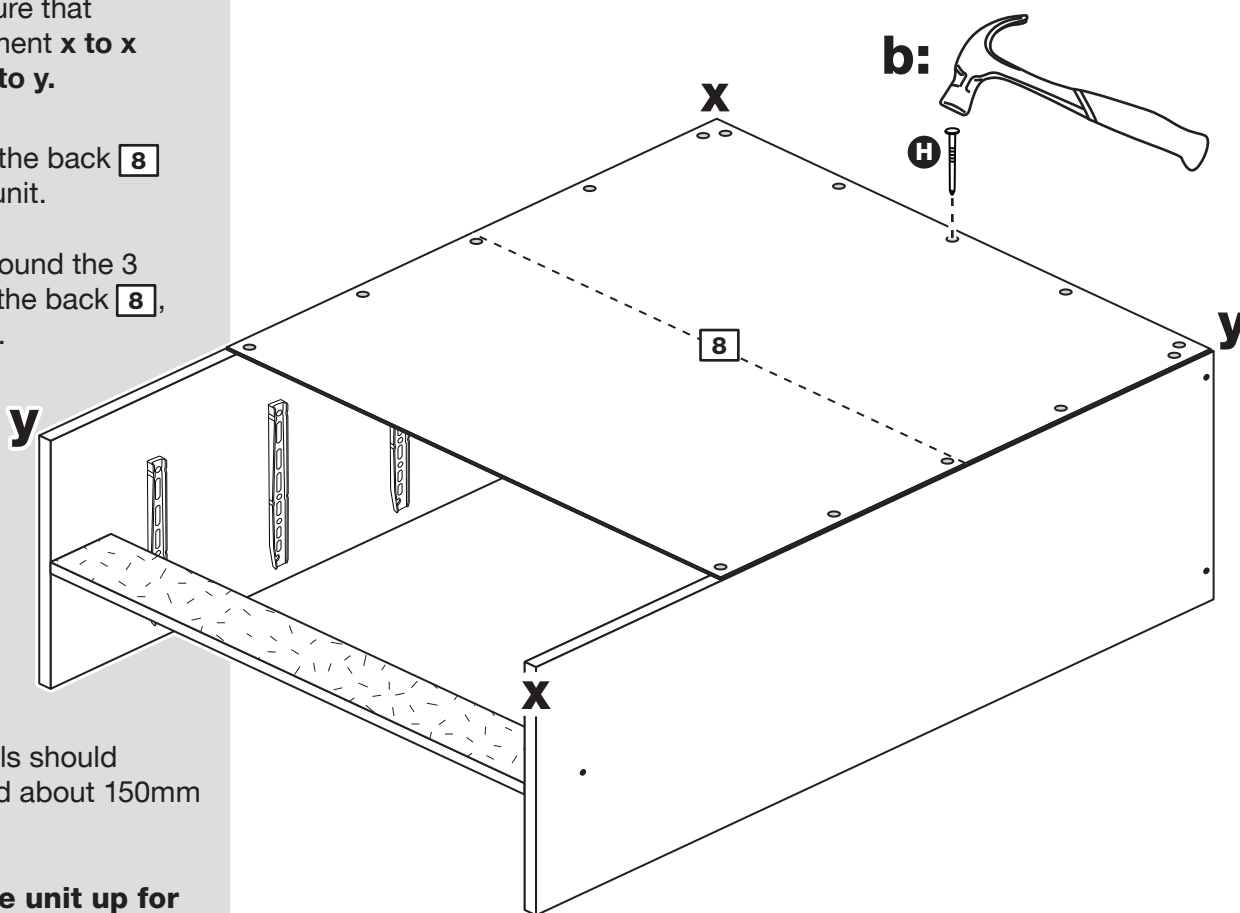
Step 14

Fit the back

a: Square up the unit by making sure that measurement **x to x** equals **y to y**.

b: Place the back **8** onto the unit.

Nail **H** around the 3 edges of the back **8**, as shown.



Note: Nails should be spaced about 150mm apart.

Stand the unit up for the next step.



Warning: The unit is heavy. Lift with care.

Assembly Instructions

Step 15

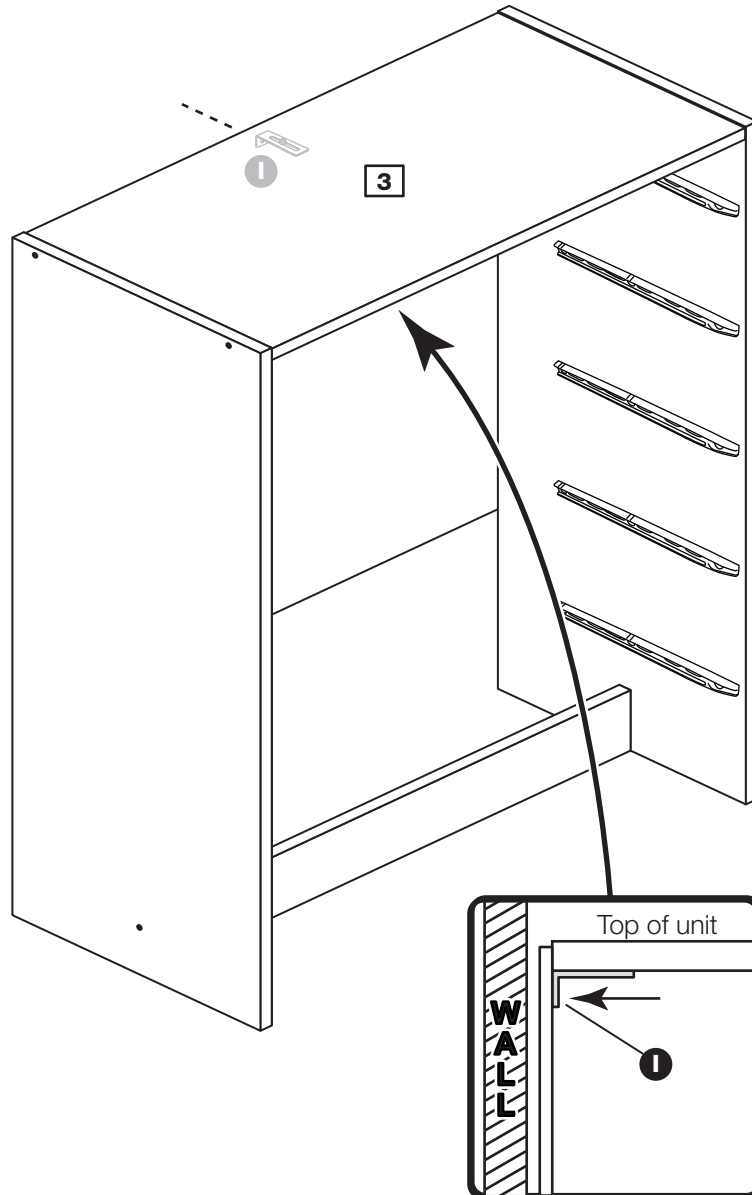
Secure unit to a wall

To prevent possible overbalancing we recommend that this unit is secured to a suitable wall by use of the metal bracket **1** fitted to the top **3**.

Fixings are not supplied as they will need to suit the wall type, and the length of screw will depend on the distance of the back of the unit to the wall.



Warning: Take care when drilling the wall that you do not drill into any pipes, wires etc. If in doubt, consult an expert.



Assembly Instructions

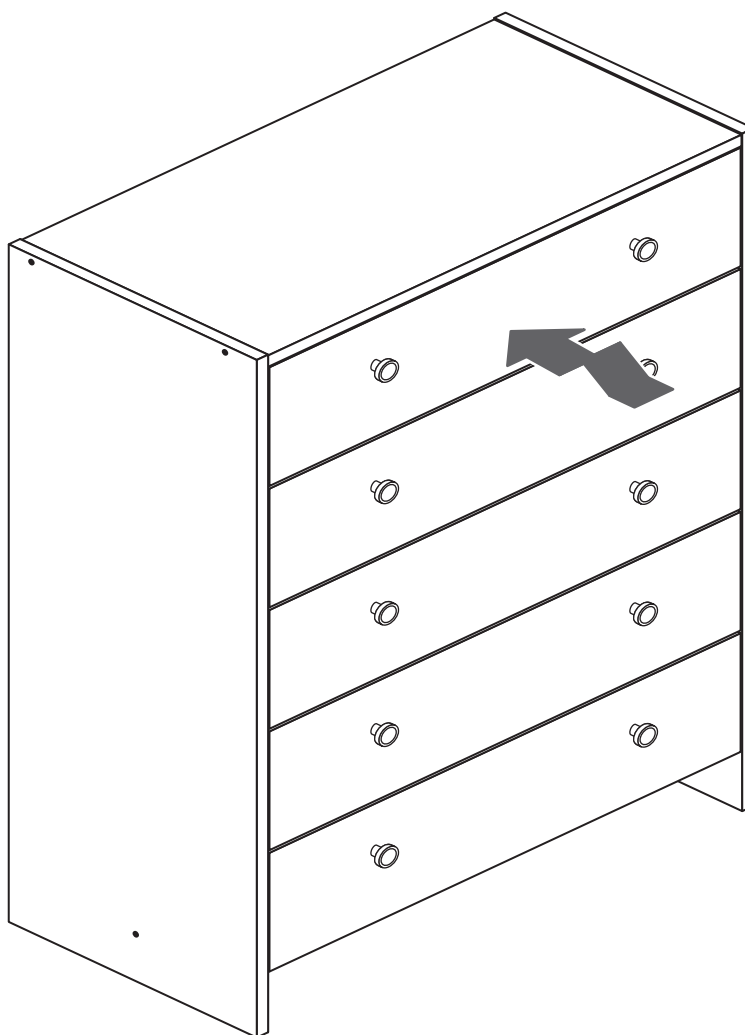
Step 16

Insert the drawers

Lift the front of the drawers whilst inserting to overcome the 'stop' system.

Note: To ensure that your drawers run smoothly, spray a small amount of furniture polish into the grooves.

Assembly is complete



If you need help or have damaged or missing parts, call the **Customer Helpline: 0870 112 1928** or email: **Help@ClickSpares.co.uk** (quoting your original order number and the reference numbers on the component pages)
Argos Ltd, 489-499 Avebury Boulevard, Central Milton Keynes, MK9 2NW