

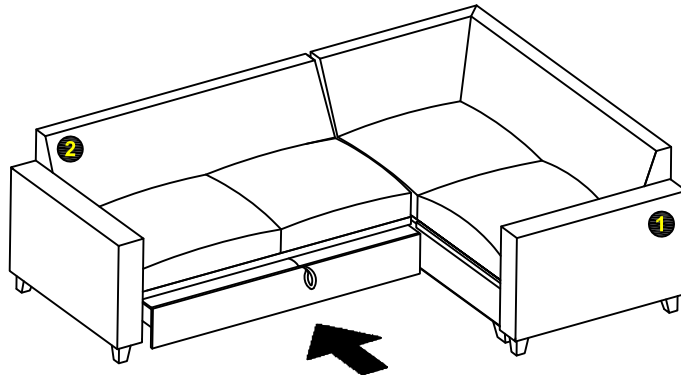
Assembly Instructions

Step 9

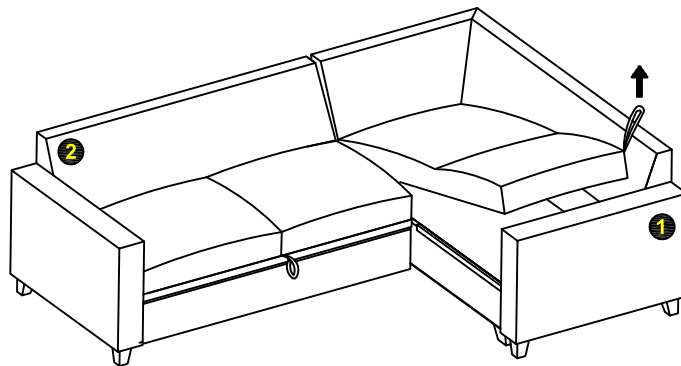
Reassembling the sleeping function

a: Lift the handle up and push the mattress down backrest.

b: Move the bed action in.



Step 10



Seattle - RH/LH multifunctional sofa

Assembly Instructions - Please keep for future reference

Cat.no 166 / 4706

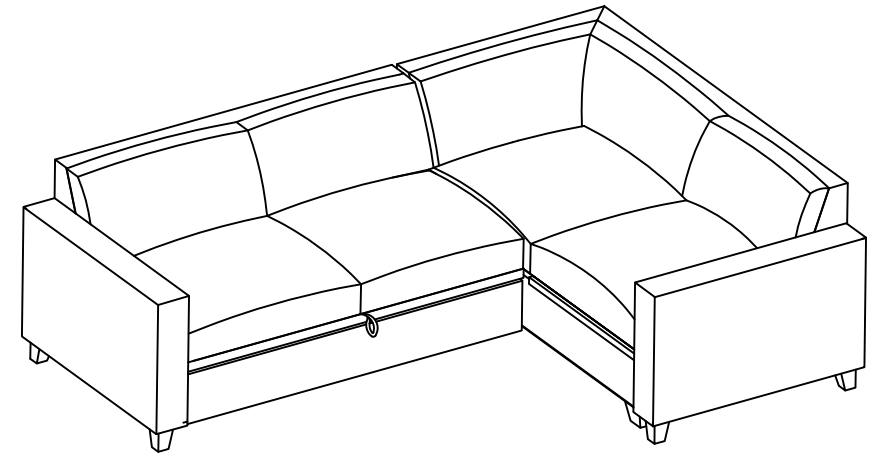
Cat.no 166 / 3123

Cat.no 146 / 6447

Cat.no 170 / 6334

Cat.no 183 / 4196

Cat.no 145 / 6835



Dimension

Width - 230cm
Length - 164cm
Height - 88cm

Important - Please read these instructions fully before starting assembly

If you need help or have damaged or missing parts, call the **Customer Helpline: 08456 400800**



Safety and Care Advice

Important - Please read these instructions fully before starting assembly

- Make sure you have enough space to layout the parts before starting.
- Assemble the item as close to its final position (in the same room) as possible.
- Assemble on a soft level surface to avoid damaging the unit or your floor.
- Parts of the assembly will be easier with 2 people.
- Dispose of all packaging carefully and responsibly.

Care and maintenance

- Only clean using a damp cloth and mild detergent, do not use bleach or abrasive cleaners.
- This product should not be discarded with household waste. Take to your local authority waste disposal centre.

Important

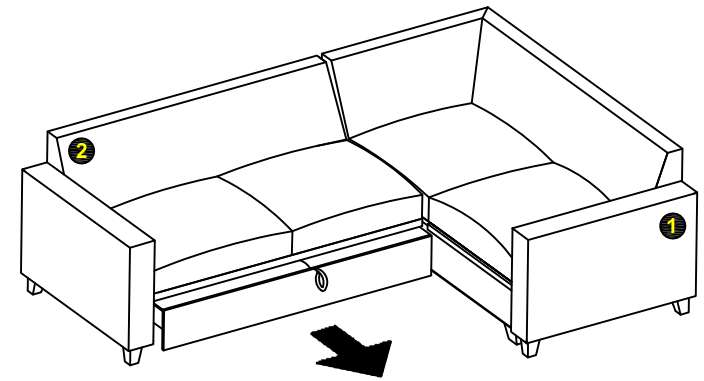
- The opening and closing function is not to be by a child.
- Care must be taken when opening and closing the bed to avoid the hands or fingers getting caught in the mechanism.
- Do not close with the bedding in place.

Note: if required the next page can be cut out and used as reference throughout the assembly. Keep this page with these instructions for future reference.

Assembly Instructions

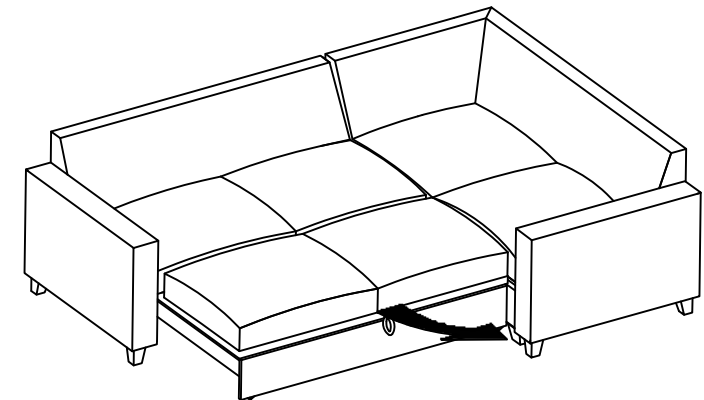
Step 7

- a:** Take the front of the bed action of the part 2.
- b:** Pull the bed action out.
- c:** Move the bed action maximum to the front.



Step 8

- a:** Take the handle and lift the mattress slightly up and pull towards yourself.
- b:** Overall view of the adopted sleeping area.
- c:** Please note that the plinth of the bed action does not meet the front of the ottoman.



Sleeping function is complete.

If you need help or have damaged or missing parts, call the **Customer Helpline: 08456 400800**

Assembly Instructions

Step 1

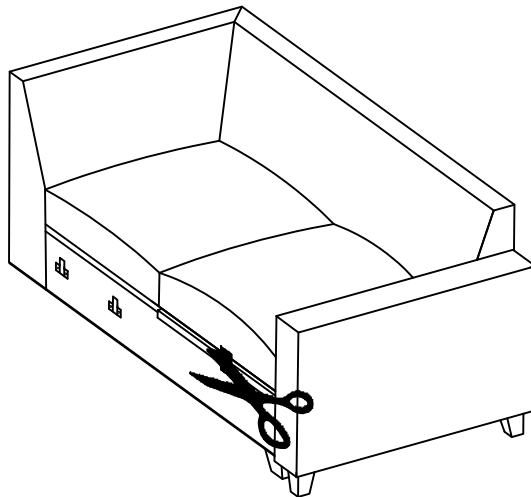
Protection removing

a: Lift the couch up and cut protection strips with scissors.



Step 2

a: Cut the ottoman protection strips with scissors.



If you need help or have damaged or missing parts, call the **Customer Helpline:08456 400800**

Assembly Instructions

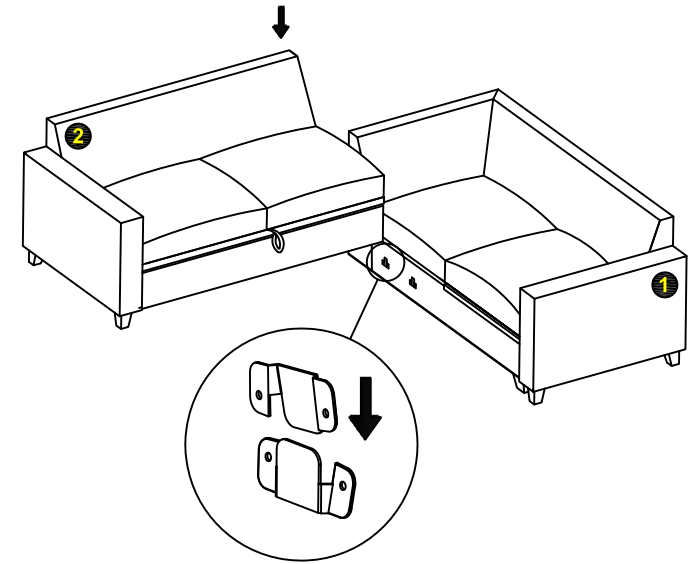
Step 3

Attaching part

a: Lift up the part, 2 couch.

b: Fit the metal joining plates of part 2 in to part 1 metal plates and lower the parts 2 until the metal plates are joined.

c: Press the part 2 down, make sure that the height of seats is the same and that there is no gap between part 1 and part 2.

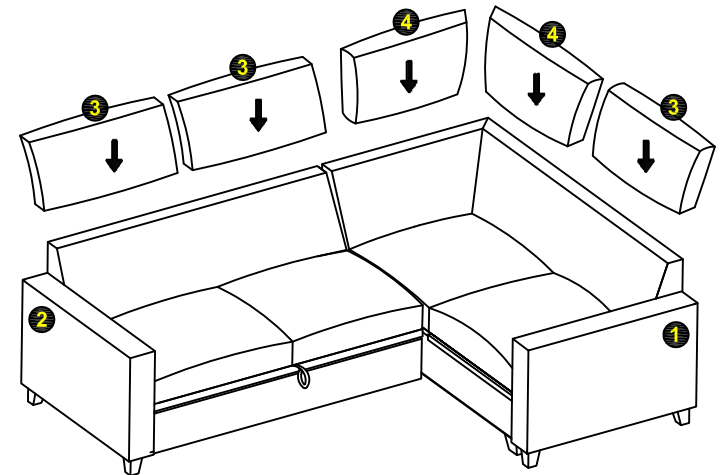


Step 4

Attaching cushions

a: Down the back cushions 3 and 4 in the right arrangement.

b: Make sure the cushions are fastened with the velcro to avoid position changing and seating inconvenience.

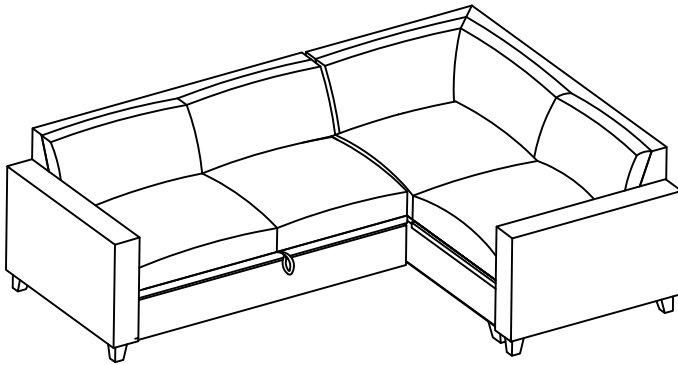


If you need help or have damaged or missing parts, call the **Customer Helpline:08456 400800**

Assembly Instructions

Step 5

a: Overall view of the ready assembled furniture, composed of part 1 and part 2.

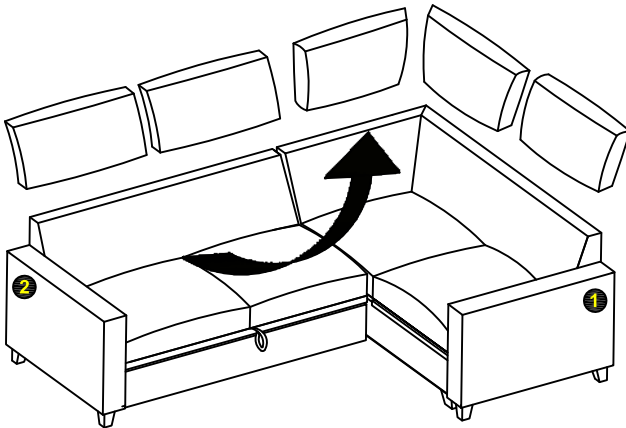


Assembly is now complete.

Step 6

Sleeping function

a: Take the cushions off.

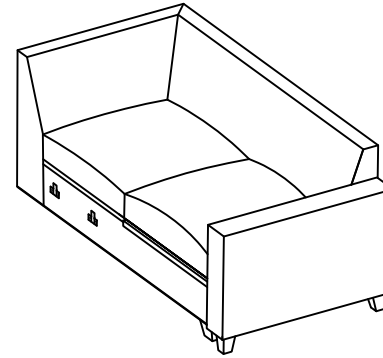


If you need help or have damaged or missing parts, call the **Customer Helpline: 08456 400800**

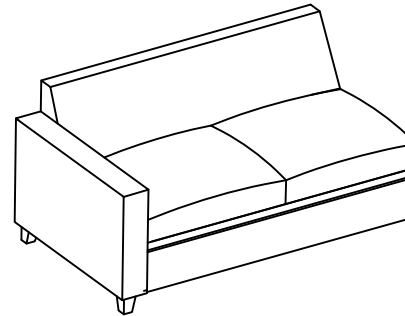
Components - Parts

If you have damaged or missing components, call the **Customer Helpline: 08456 400800**

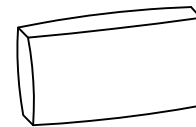
Please check you have all the parts listed below



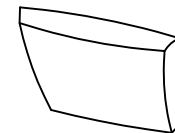
1 Ottoman (164x88cm)



2 Couch (148x88cm)



3 Back cushions x 3 (65x45cm)



4 Back corner cushions x 2 (81x45cm)