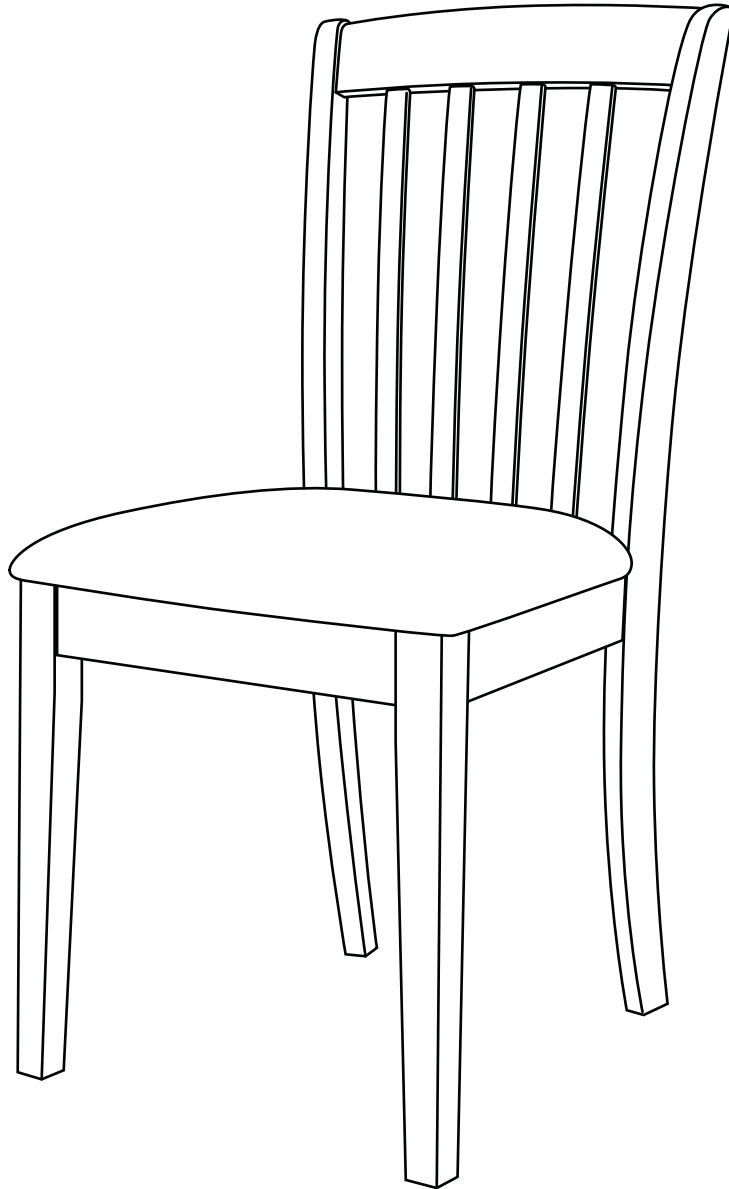



Banbury

habitat



Spare Parts

 www.argos-support.co.uk

 Help@ClickSpares.co.uk

 0370 112 1928

Customer Support

 0345 640 2020



Safety and Care Advice

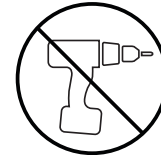
Product Details

Habitat Banbury Pair of Dining Chairs - Natural 8375768
Habitat Banbury Solid Wood Extending Table & 4 Chairs 2582887

IMPORTANT, RETAIN FOR FUTURE REFERENCE: READ CAREFULLY.

- Keep children and animals away from the work area, small parts could choke if swallowed.
- Make sure you have enough space to layout the parts before starting.
- This product has been constructed to be used in the domestic environment only and not for commercial purposes.

- Assemble the item as close to its final position (in the same room) as possible.
- Assemble on a soft level surface to avoid damaging the unit or your floor.
- Please note wood is a natural material, some slighty colour and grain variation and natural marks will be present.



- We do not recommend the use of power drill/drivers for inserting screws as this could damage the unit. Only use hand screwdrivers.
- Parts of the assembly will be easier with 2 people.
- Dispose of all packaging carefully and responsibly.

Warnings

- Do not stand on the chair.
- Do not use the chair as a step stool/ladder.
- Do not sit with sharp objects in back pockets as this may damage the seat surface.
- Do not rock the chair whilst seated.
- Beware of the risk of falling and tipping.
- Pregnant women should take additional care when using this product.
- Do not leave the child unattended.
- Children should always be under direct adult supervision whilst using this product.
- If the product is broken or damaged, discontinue use immediately.

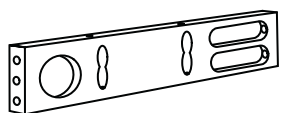
Care and maintenance

- Please clean the seat surface using either damp (not wet) cloth and a mild domestic soap solution or by using an appropriate polish.
- Do not use any abrasive materials when cleaning.
- From time to time check that there are no loose screws, nuts or bolts. If there are please re-tighten.
- Keep away from fire.

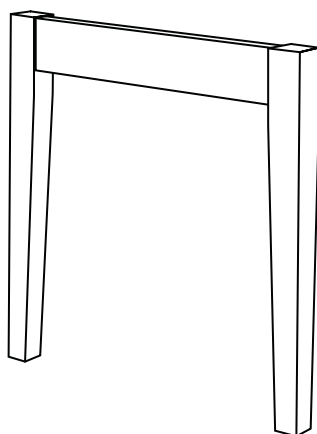
Additional Guidance

- Assemble all parts and bolts loosely during assembly, only once the product is complete should you fully tighten the bolts.
- Regularly check and ensure that all bolts and fittings are tightend properly.
- Maximum weight capacity : 110 kg
- This product is compliant BS EN 12520: 2015; EN 1022:2018.

Components - Parts



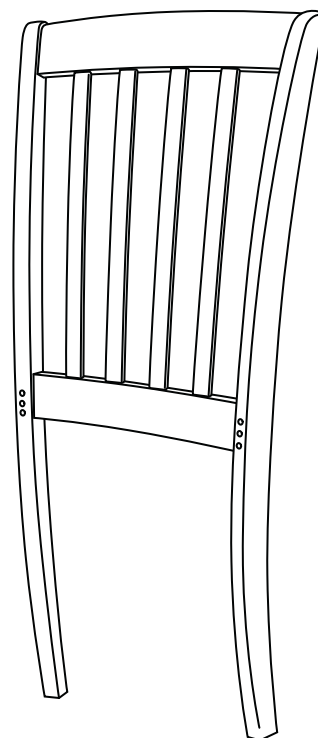
1 Left / Right Side Rail (310 x 60mm) (x4)



2 Front Leg (430 x 415mm) (x2)

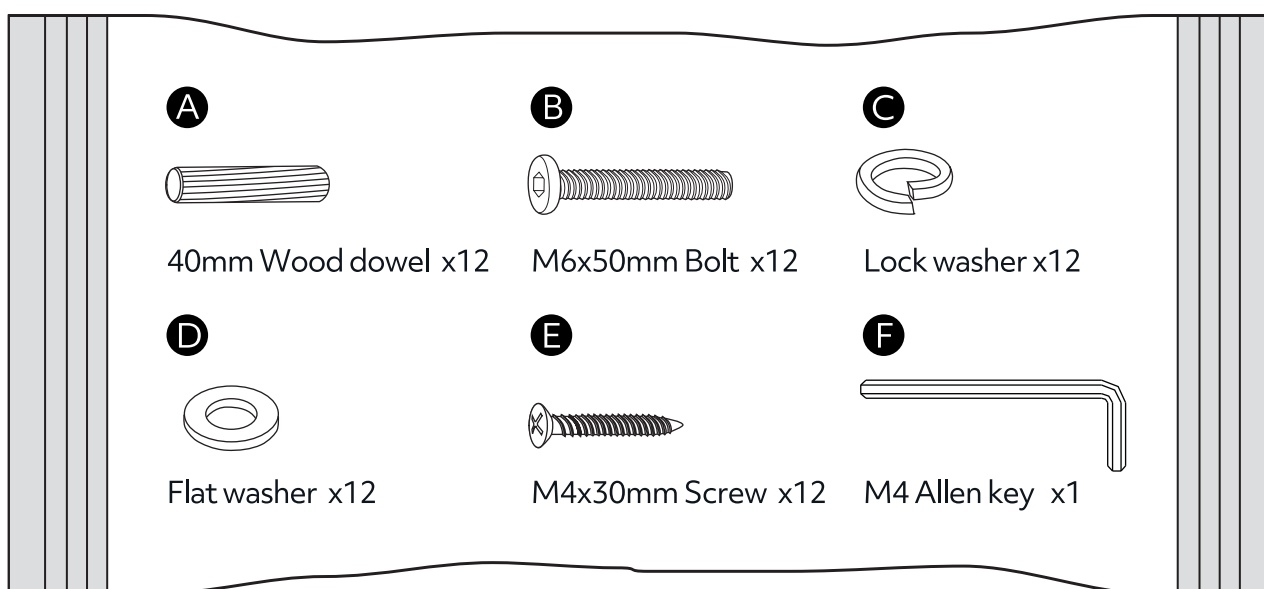


3 Seat Pad (450 x 355mm) (x2)

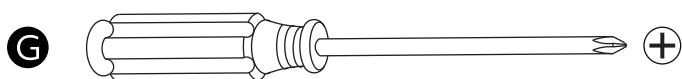


4 Chair Back (905 x 403mm) (x2)

Components - Fittings

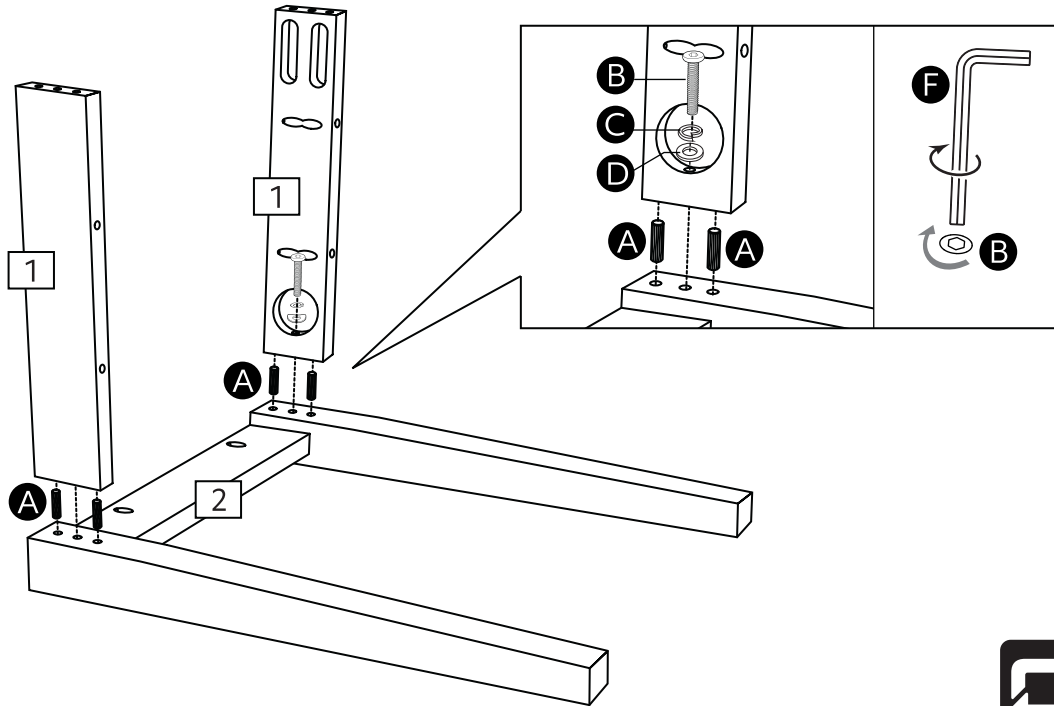
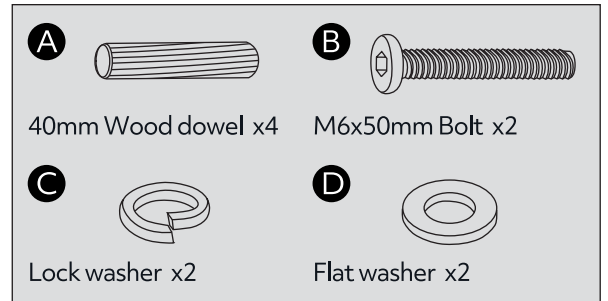
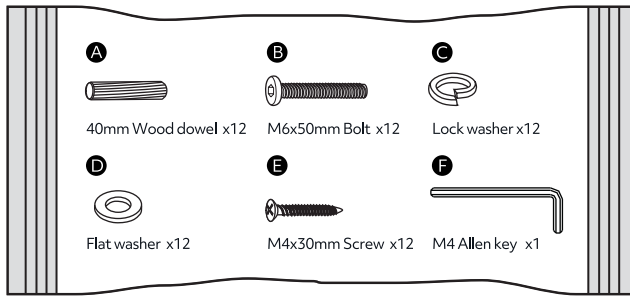


Tool required

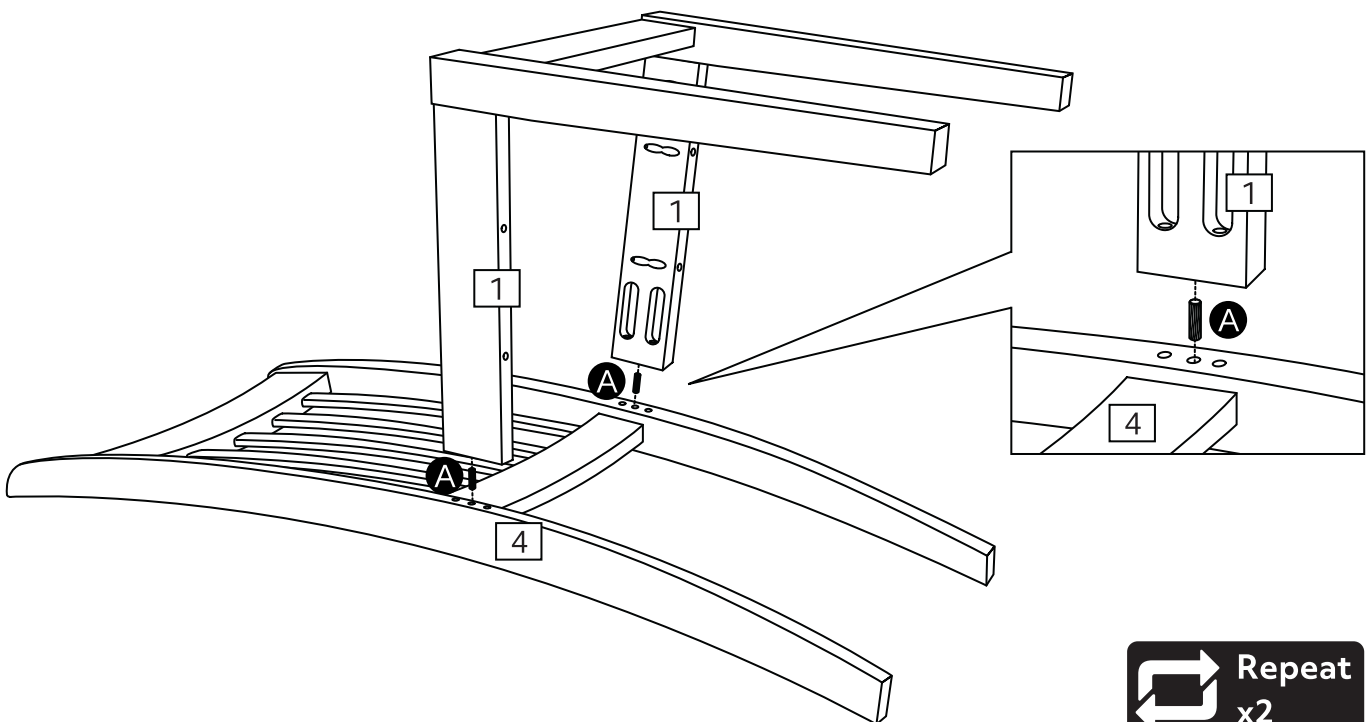
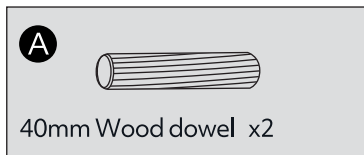


Cross head Screwdriver (Not provided)

1



2



3



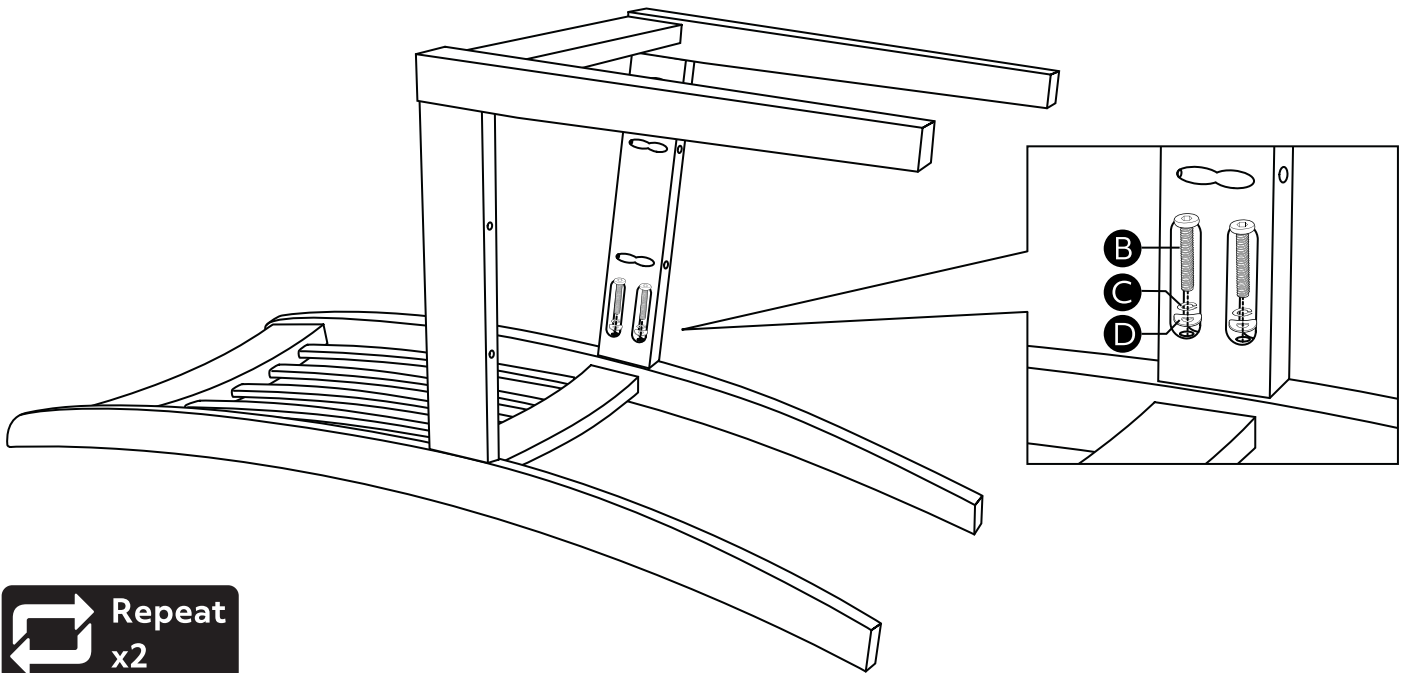
M6x50mm Bolt x4



Lock washer x4



Flat washer x4

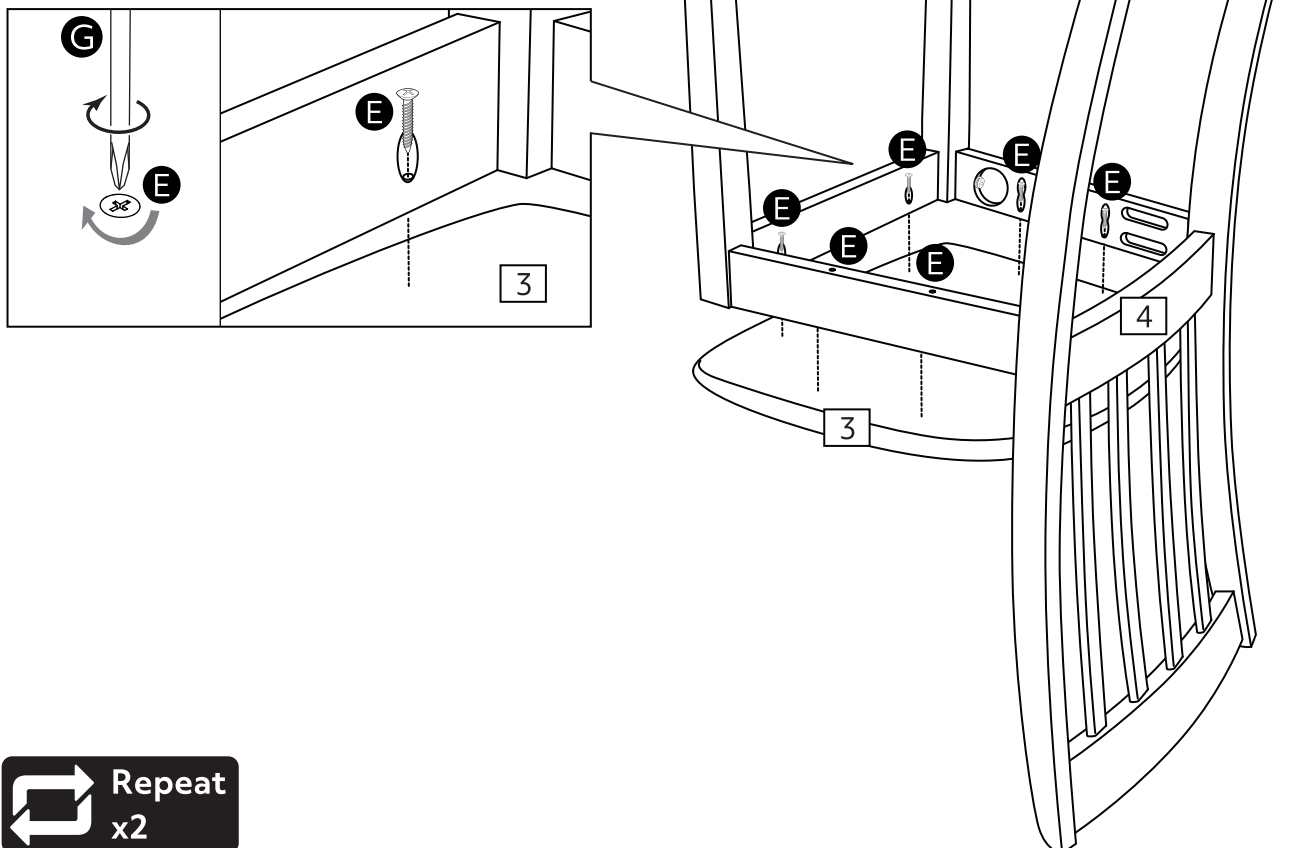


Repeat
x2

4

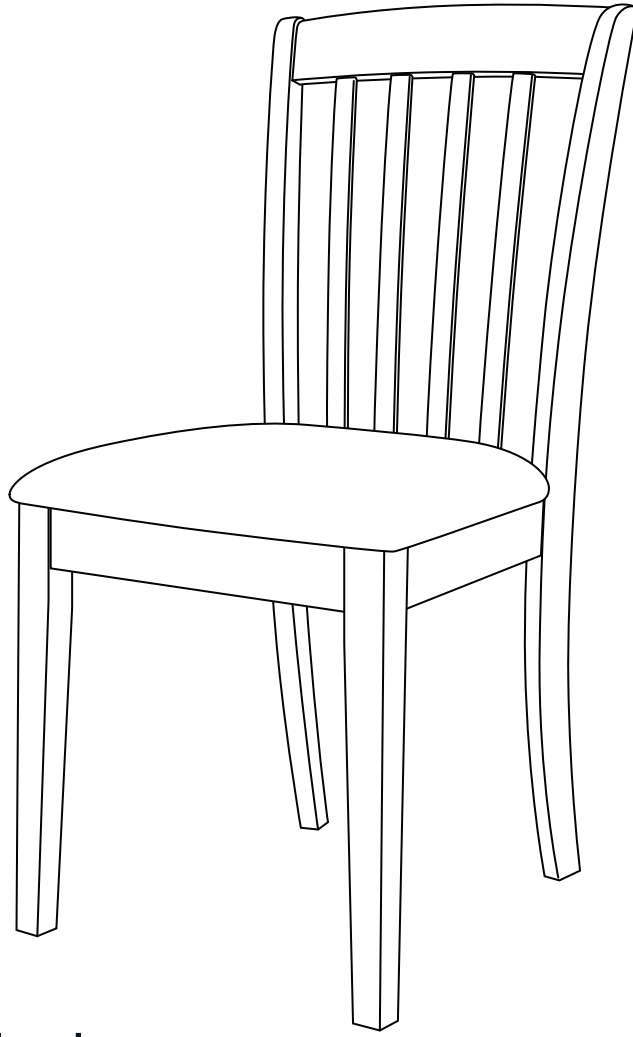


M4x30mm Screw x6



Repeat
x2

5



Assemble is completed