

Birlea®

Assembly Instructions

**Thank you for
purchasing a
Birlea product**

For a chance to win a Love2Shop voucher simply post a picture of your new product on your preferred social channels tagging Birlea Furniture. One winner will be selected at random each month.

*Terms & conditions may apply.

Are you happy with your purchase?

Yes: That's great, we would love to hear more from you. Please leave us a review on our Trustpilot link on the QR code here. Your feedback will be greatly appreciated.



No: If for any reason there is something missing, indifferent or incorrect with your order, please contact the retailer that you purchased your item from.

The products takes 2 hours 30 minutes to build along with 2 man builds.



www.birlea.com

ASSEMBLY INSTRUCTIONS
135CM STOCKWELL BED
RUSTIC OAK EFFECT

IMPORTANT : READ THESE INSTRUCTIONS CAREFULLY BEFORE ATTEMPTING TO ASSEMBLE OR USE YOUR 135CM STOCKWELL BED RUSTIC.

PLEASE KEEP THESE INSTRUCTIONS FOR FUTURE REFERENCE.

ASSEMBLY:

Assembly should be carried out with this item laying flat, not standing upright.

Assemble on a soft, clean surface to prevent damages.

To erase the numbers printed on the pieces, use the rubber inside the accessories pack.

HEALTH & SAFETY:

DO NOT use this product if any parts are missing, damaged or worn.

DO NOT use this product unless all fixings are secured.

Always use on a level, even surface.

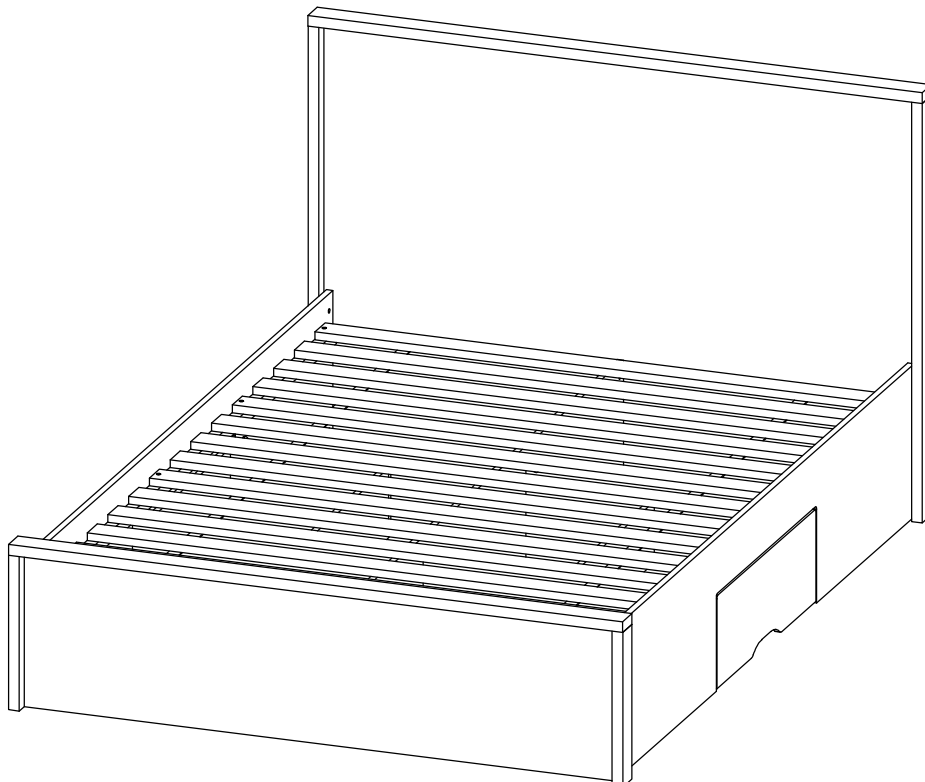
CARE & MAINTENANCE:

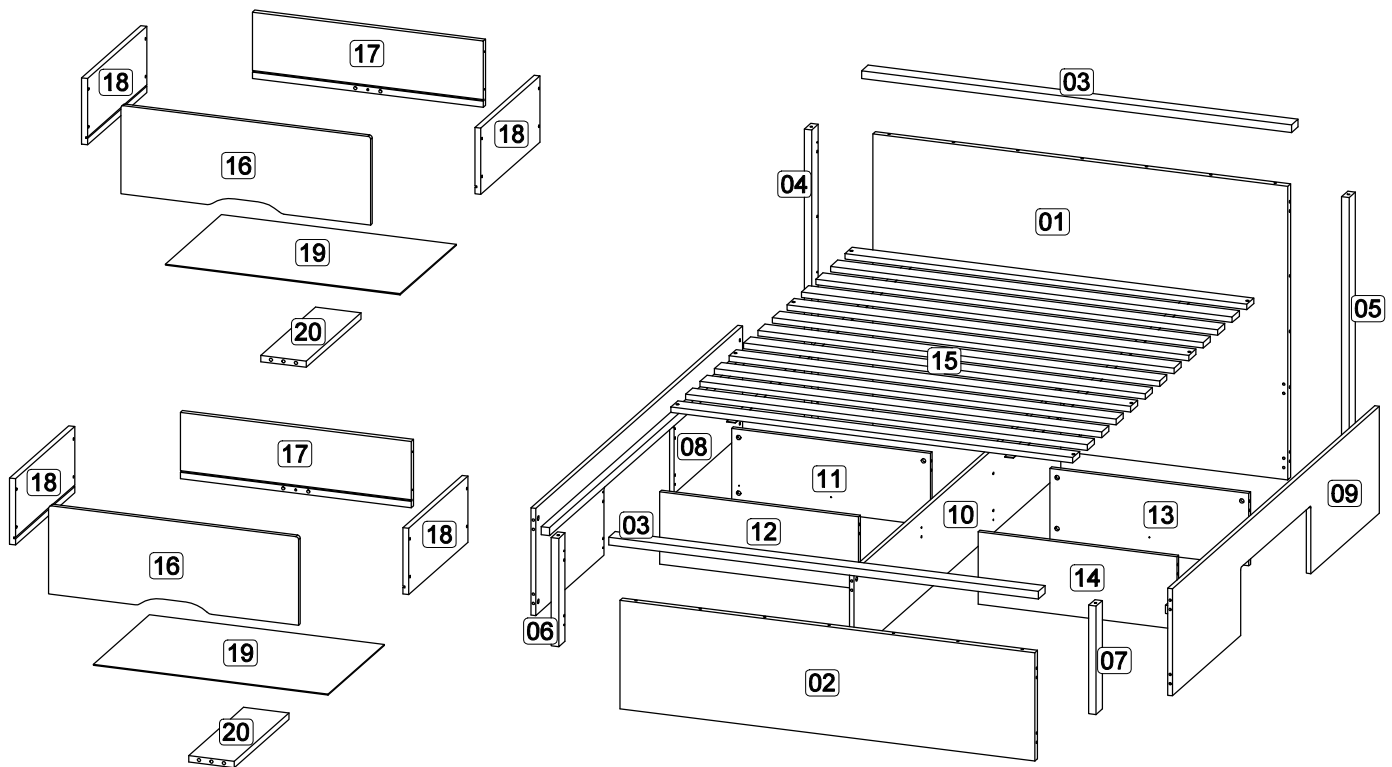
Periodically check all screws & fixings to ensure they are secure.





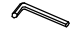






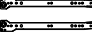
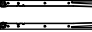

DO NOT push this product as this will cause damage.

Always lift this product with two people to reposition.

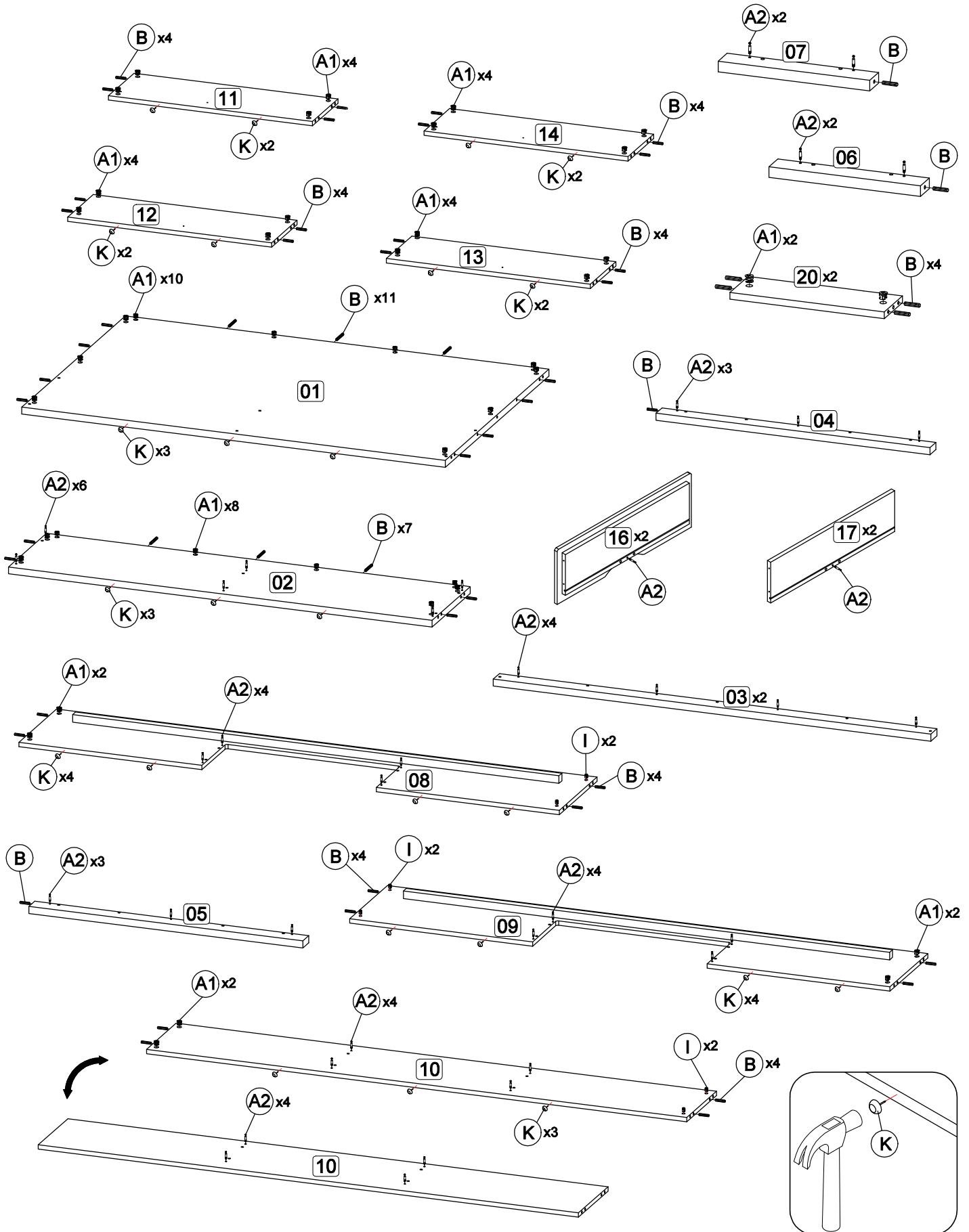
Keep any sharp objects away from this product.





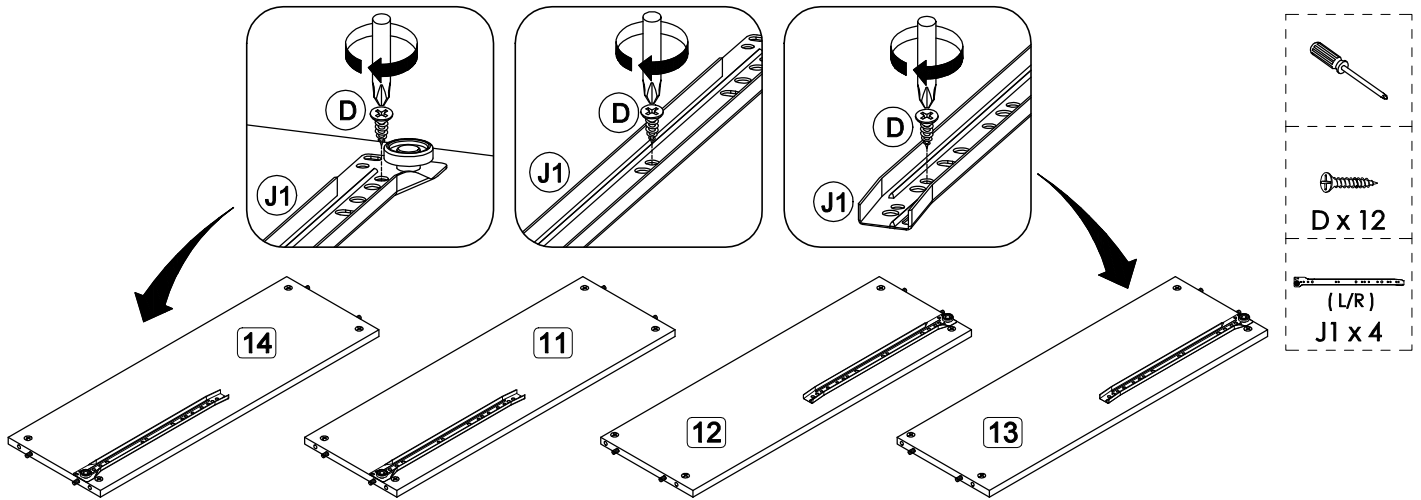
Parts List				Hardware List (BOX 3)			
Part	Description	Box	Qty	Part	Description		Qty
01	Headboard panel	1	1	A1	Cam lock		44
02	Tailstock panel	3	1	A2	Minifix screw		44
03	Headboard & tailstock bone	2	2	A3	Plastic cap		44
04	Headboard bone (Left)	2	1	B	M8 x 30mm Wood Dowel		58
05	Headboard bone (Right)	2	1	C	Allen key M4		1
06	Tailstock bone (Left)	2	1	D	M3.5 x 16mm C.B Screw		24
07	Tailstock bone (Right)	2	1	E	M4 x 32mm C.B Screw		8
08	Bed side panel (Left)	2	1	F	M4 x 38mm C.B Screw		16
09	Bed side panel (Right)	2	1	G	JCBC Screw M6 x 60mm		6
10	Center panel	2	1	H	Flat washer M6 x 20mm		6
11	Middle panel (1)	3	1	I	JRN nut		6
12	Middle panel (2)	3	1	J1	16" Drawer slide (Left / Right)		4
13	Middle panel (3)	3	1	J2	16" Drawer slide (Left / Right)		4
14	Middle panel (4)	3	1	K	5/8 PVC Nail Leg		25
15	Bed slat panel	4	1	** You will need a small mallet and a screwdriver for assembly. ** Some screws and wooden dowel may remain.			
16	Drawer front	3	2				
17	Drawer back	2	2				
18	Drawer side	3	4				
19	Drawer bottom	1	2				
20	Drawer bone	3	2				

Step 1: Prepare these parts for assembly using hardware parts A1, A2, B, C, I and K.
DO NOT use any power tools as this may damage the frame and will invalidate any claim.



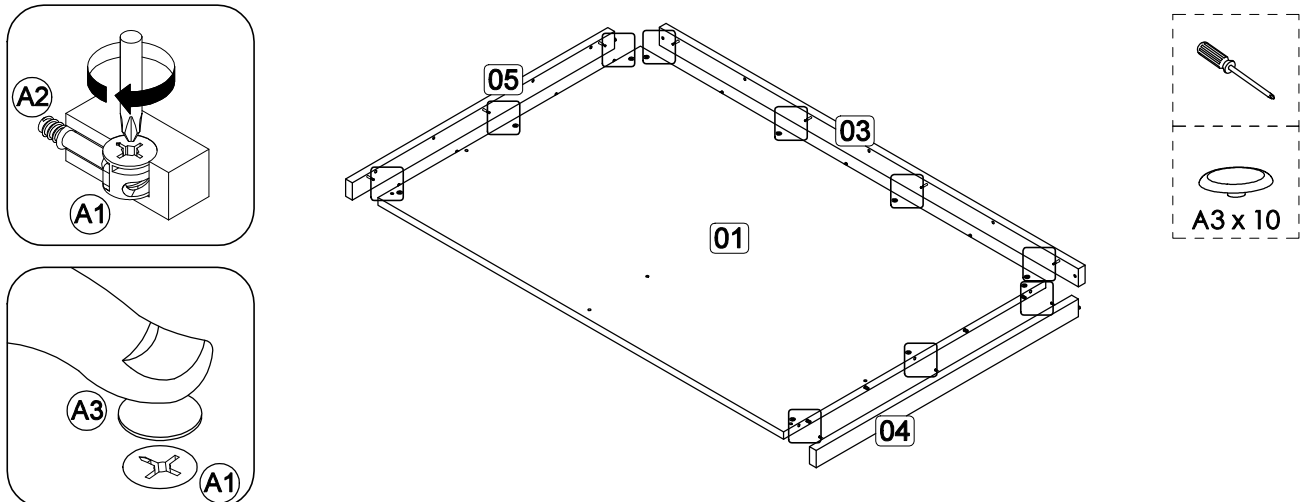
Step 2: Fix hardware J1 into middle panel (11), (12), (13) and (14) using hardware D with a screwdriver (not provided).

DO NOT use any power tools as this may damage the frame and will invalidate any claim.



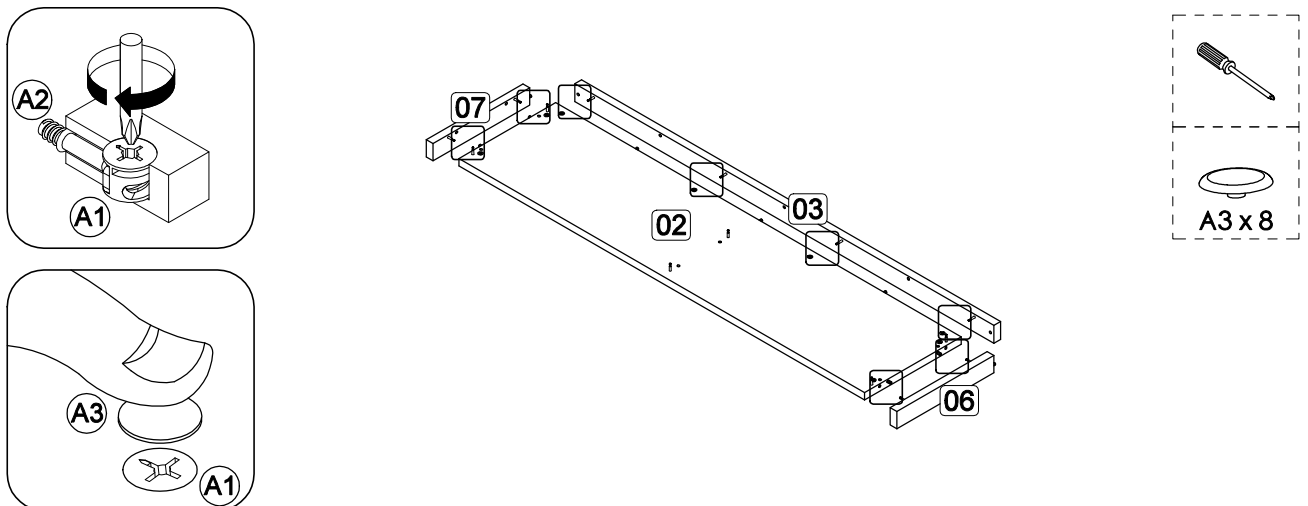
Step 3: Attach headboard bone (3), (4) and (5) to headboard panel (1) using hardware A1 and A2 with a screwdriver (not provided).

DO NOT use any power tools as this may damage the frame and will invalidate any claim.



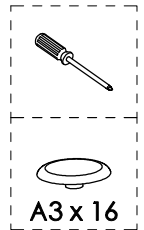
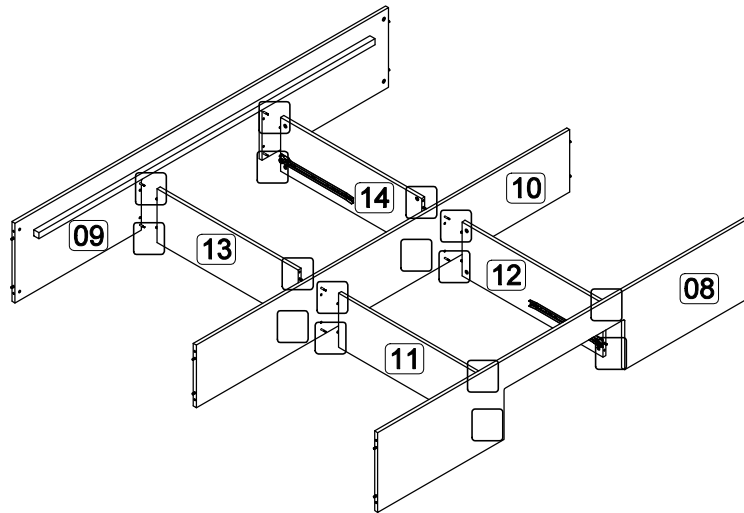
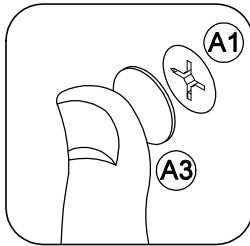
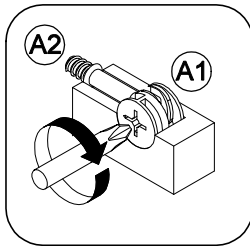
Step 4: Attach tailstock bone (3), (6) and (7) to tailstock panel (2) using hardware A1 and A2 with a screwdriver (not provided).

DO NOT use any power tools as this may damage the frame and will invalidate any claim.



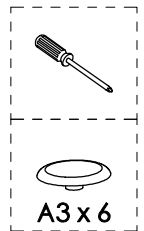
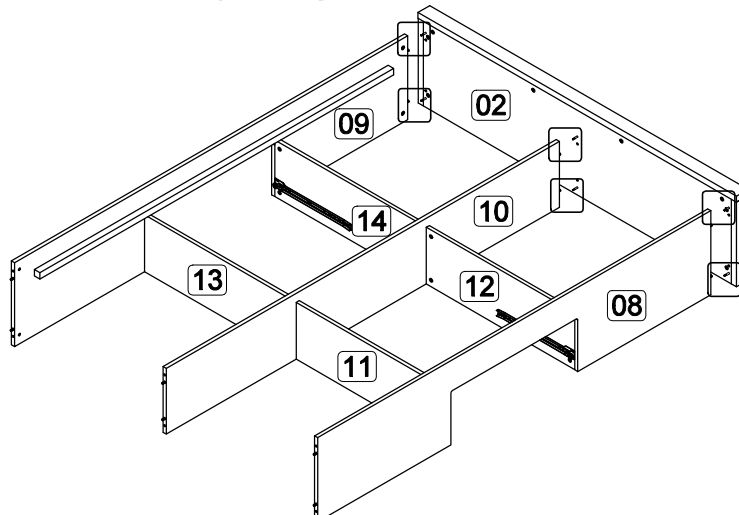
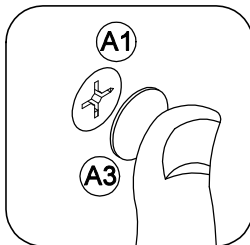
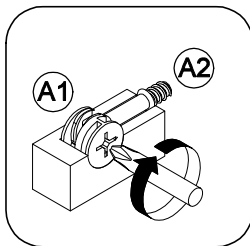
Step 5: Attach middle panel (11) and (12) to bed side panel (8) and center panel (10) then attach middle panel (13) and (14) to bed side panel (9) and center panel (10) using hardware A1 and A2 with a screwdriver (not provided).

DO NOT use any power tools as this may damage the frame and will invalidate any claim.



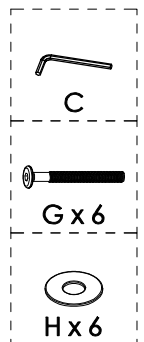
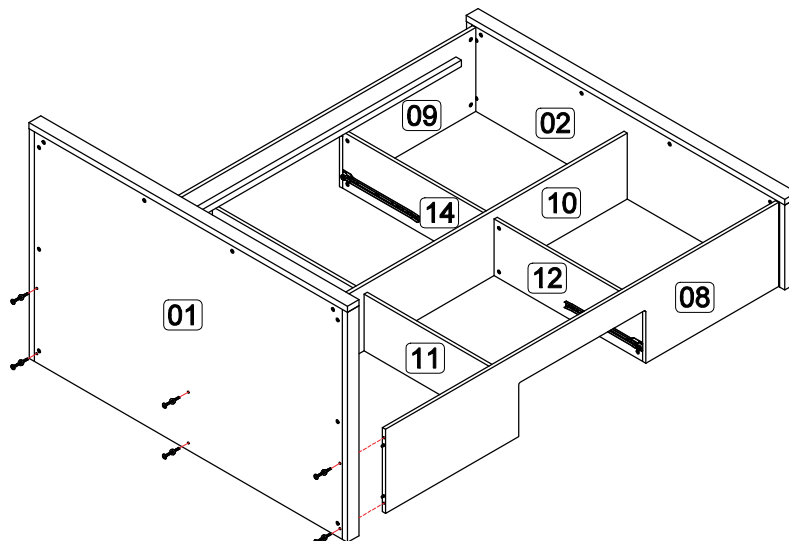
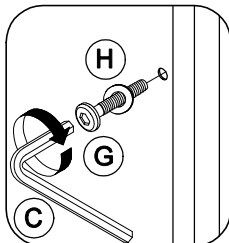
Step 6: Attach bed side panel (8), (9) and center panel (10) to tailstock panel (2) using hardware A1 and A2 with a screwdriver (not provided).

DO NOT use any power tools as this may damage the frame and will invalidate any claim.

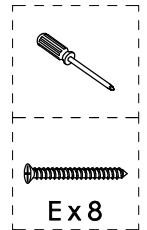
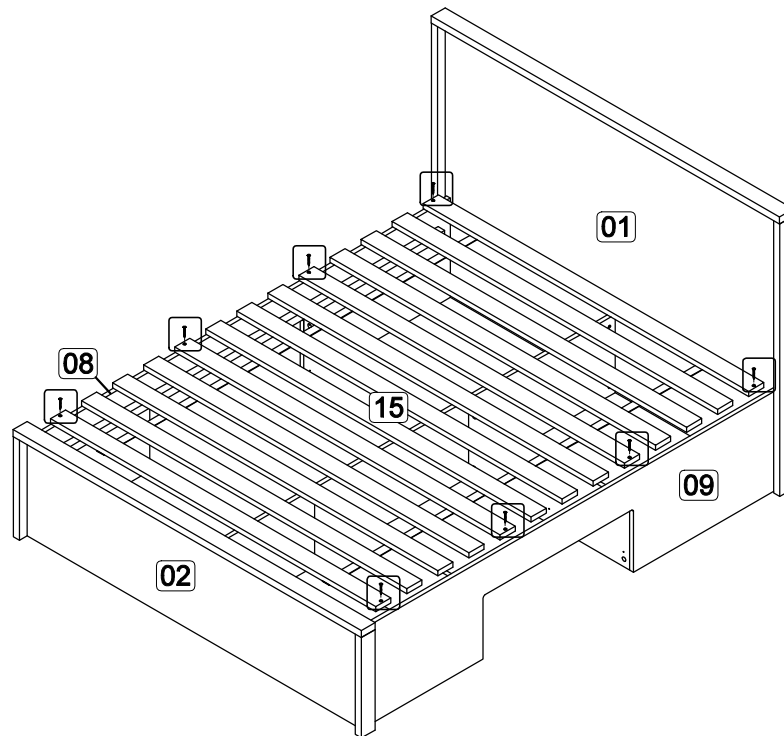
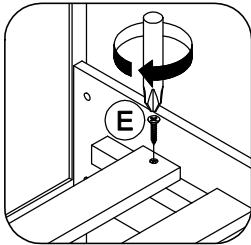


Step 7: Attach headboard panel (1) to bed side panel (8), (9) and center panel (10) using hardware C, G and H.

DO NOT use any power tools as this may damage the frame and will invalidate any claim.



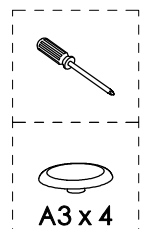
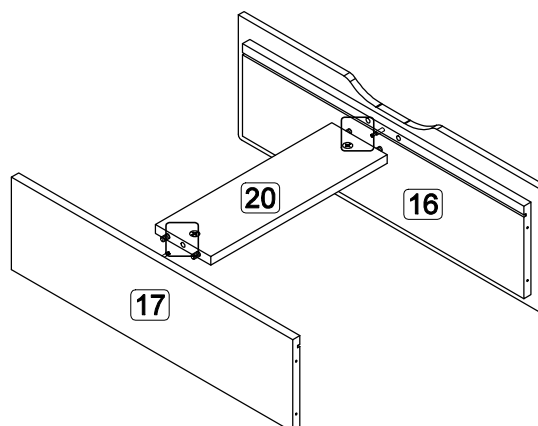
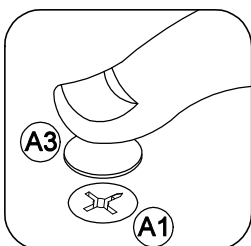
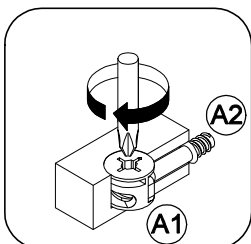
Step 8: Attach bed slat panel (15) to bed side panel (8) and (9) using hardware E with a screwdriver (not provided). DO NOT use any power tools as this may damage the frame and will invalidate any claim.



Step 9: Attach drawer bone (20) to drawer front (16) and drawer back (17) using hardware A1 and A2 with a screwdriver (not provided).

In this step only show one of the drawers.

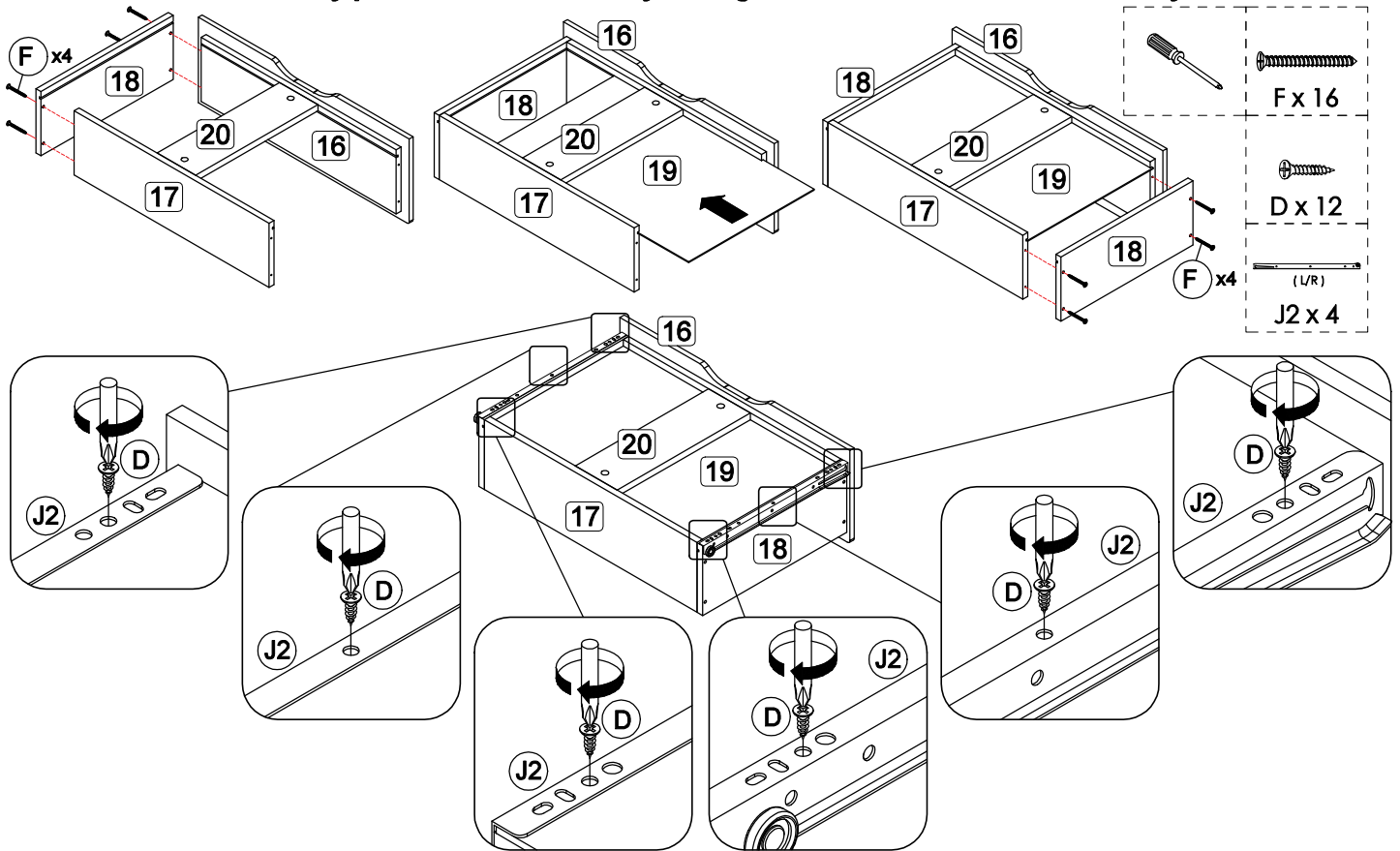
DO NOT use any power tools as this may damage the frame and will invalidate any claim.



Step 10: Assemble the drawer components using hardware D, F and J2.

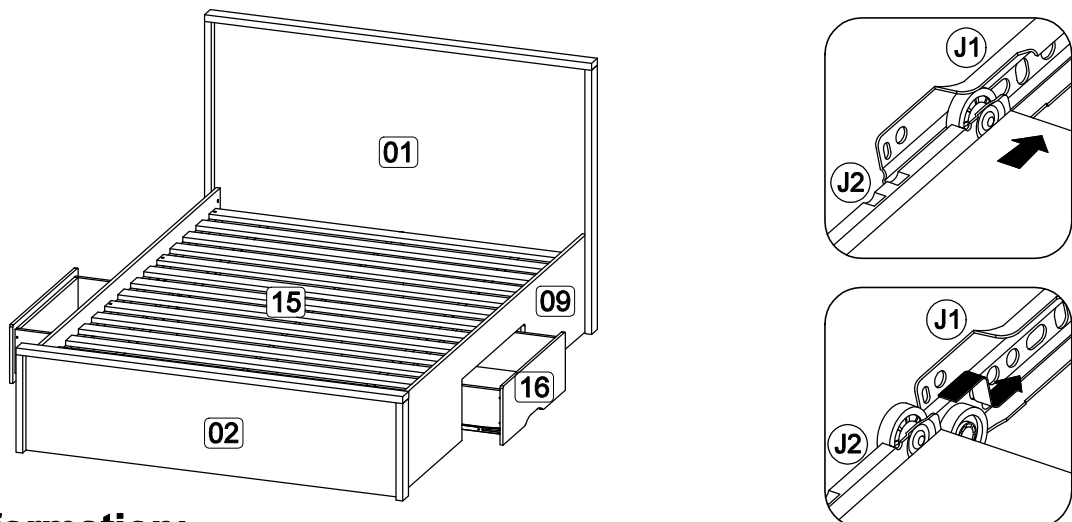
In this step only show one of the drawers.

DO NOT use any power tools as this may damage the frame and will invalidate any claim.



Step 11: Assemble the drawer in place along the drawer slides.

DO NOT use any power tools as this may damage the frame and will invalidate any claim.



Additional Information:

- For complete product information, images and dimension diagrams please visit the website www.birlea.com
- If you have any issues with your item please contact the retailer directly you purchased it from who will be able to resolve any issues with Birlea.
- Why don't you send us photos of your assembled furniture to info@birlea.com to be shared in our #birleahome feature on instagram.