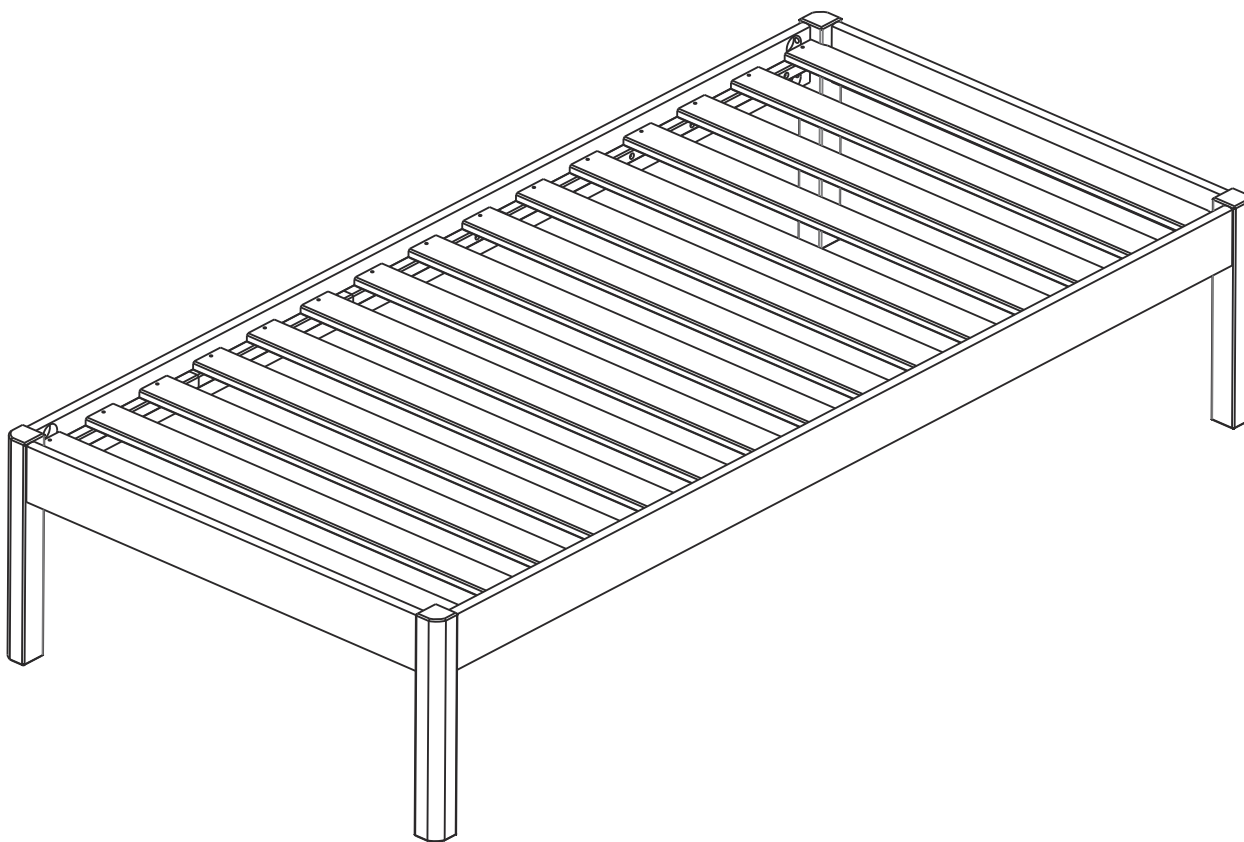


# Odin

# habitat




## Spare Parts

 [www.argos-support.co.uk](http://www.argos-support.co.uk)

 [Help@ClickSpares.co.uk](mailto:Help@ClickSpares.co.uk)

 0370 112 1928

## Customer Support

 0345 640 2020



# Safety and Care Advice

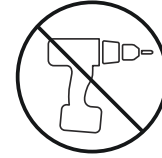
---

**Product Details** Platform Bed Pine 964/ 4474  
Platform Bed white 140/ 3314

## IMPORTANT! KEEP IT FOR FUTURE REFERENCE: READ CAREFULLY.

- Keep children and animals away from the work area, small parts could choke if swallowed.
- Make sure you have enough space to layout the parts before starting.
- This product has been constructed to be used in the domestic environment only and not for commercial purpose.

- Assemble the item as close to its final position (in the same room) as possible.
- Assemble on a soft level surface to avoid damaging the unit or your floor.



- We do not recommend the use of power drill/drivers for inserting screws as this could damage the unit. Only use hand screwdrivers.
- Parts of the assembly will be easier with 2 people.
- Dispose of all packaging carefully and responsibly.

## Care and maintenance

---

- Use a dry cloth to clean the product, furniture polish is not recommended.
- From time to time check that there are no loose screws, nuts or bolts. If there are please re-tighten.
- This product should not be discarded with household waste. Take to your local authority waste disposal centre.

## Additional Guidance

---

- Assemble all parts and bolts loosely during assembly, only once the product is complete should you fully tightened the bolts.
- Regularly check and ensure that all bolts and fittings are tightened properly.
- Maximum user weight 100kg
- This product is compliant BS 8509



# Safety and Care Advice

---

**Product Details** Platform Bed Pine 964/ 4474  
Platform Bed white 140/ 3314

## IMPORTANT! KEEP IT FOR FUTURE REFERENCE: READ CAREFULLY.

### Warnings for the bed

Warning: Do not place this child's bed near heat sources, windows and other furniture

Warning: Do not use this child's bed if any part is broken, torn or missing.

Warning: Not suitable for children under 4 years.

-Designed and manufactured to BS 8509: 2008 + A1: 2011

-Model: 964/4474 - 140/ 3314

-Retailer: Argos

- The bed is suitable for children age from 4 years and older.

- The bed is suitable for a mattress of 190cm in length and 91.0cm in width.

- Periodically check that all fittings are always properly tightened.

- Children are likely to play, bounce, jump and climb on beds,

herefore the child's bed should not be placed too close to other,

furniture or windows, blind cords, curtain pulls or other strings or cords and should be placed either tight to any wall or have a gap of 300mm between the wall and side of the bed.

This bed is not designed to be dismantled for storage or transportation.

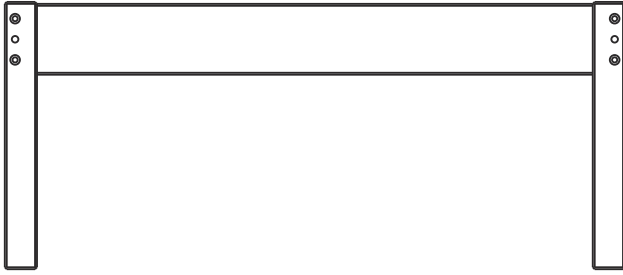
Any additional or replacements parts are obtained from Customer Support: 0345 640 2020, or Spare Parts 0370 112 1928.

- Assembly to be carried out by a competent adult!

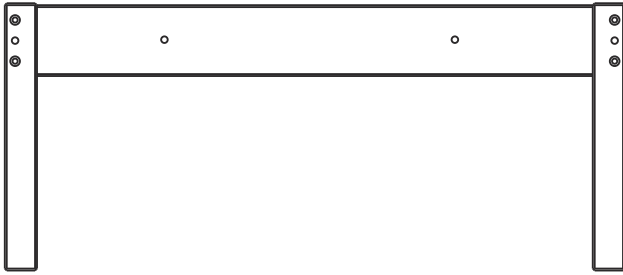
-During assembly children should be kept away from the product due to possible risk of injury.

- Do not use this item if any components are missing or damaged.

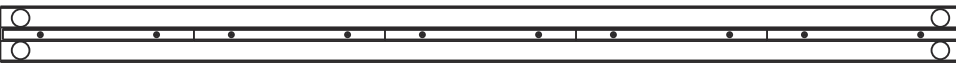
# Panels



**1** Footboard (963 x 415mm)



**2** Headboard (963 x 415mm)



**3** Side rail (x02) (1900 x 110mm)



**4** Slat (910 x 70mm)

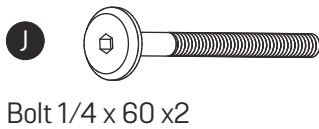
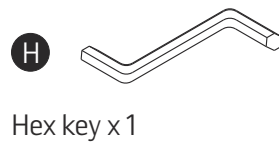
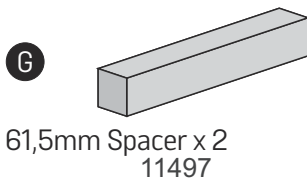
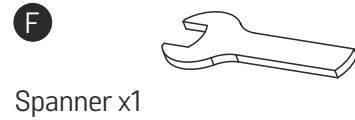
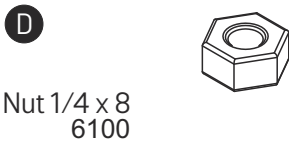
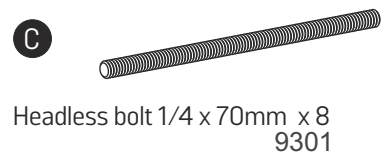
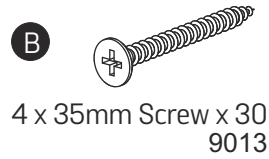
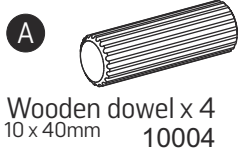


**5** Slat (x13) (910 x 70mm)

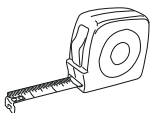


**6** Slat (910 x 70mm)

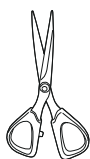
# Fittings



## Tools required



Ruler/tape  
measure



Scissors

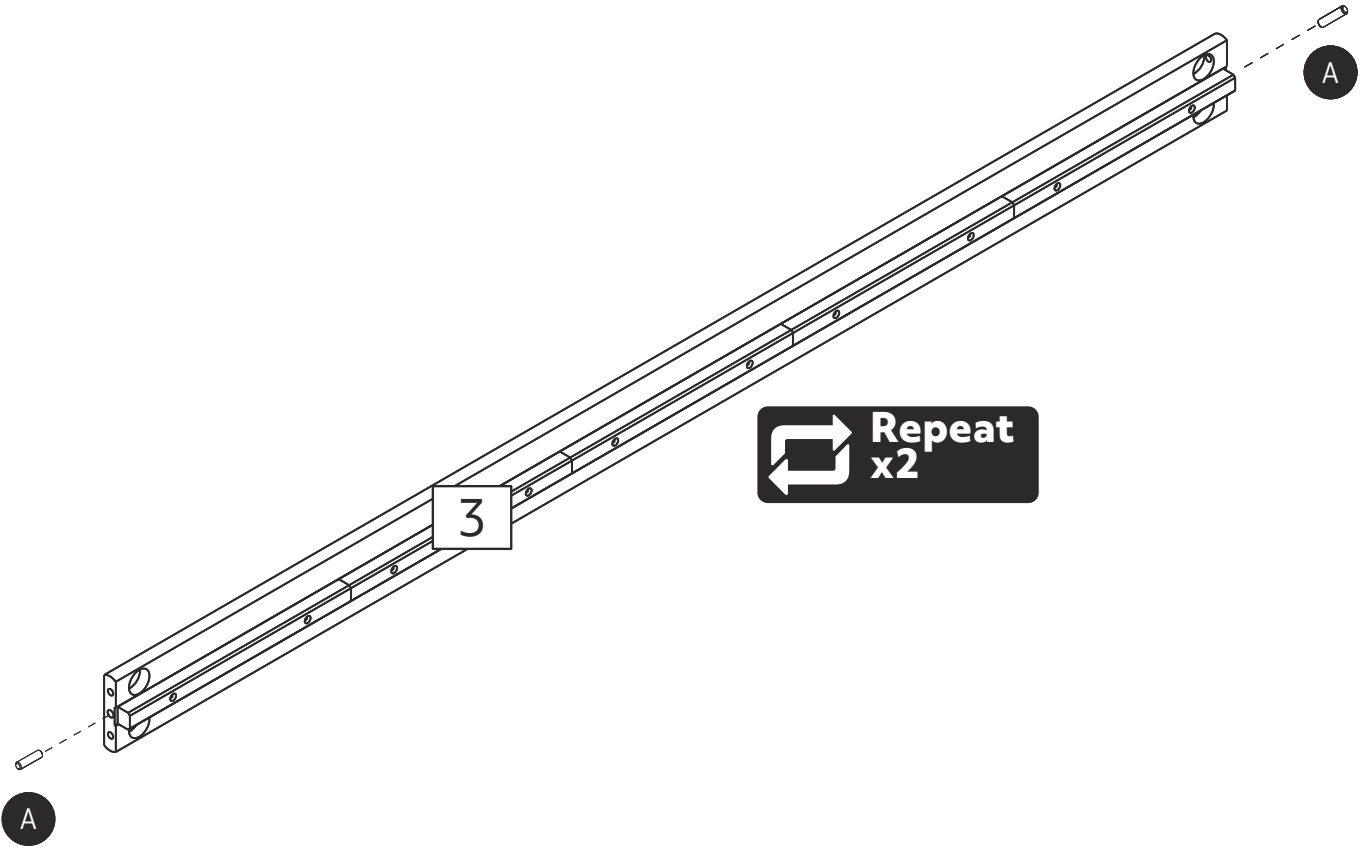
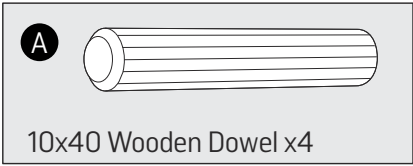
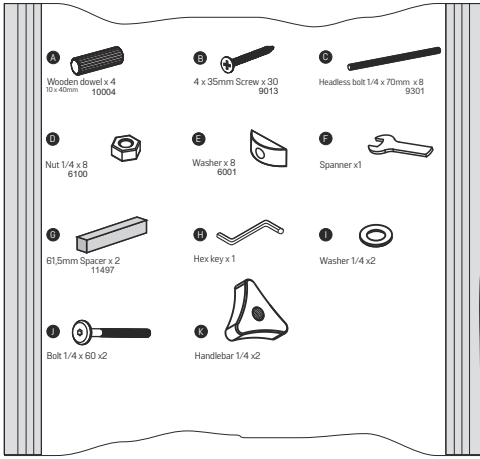


Cross-head screwdriver  
(small & medium)

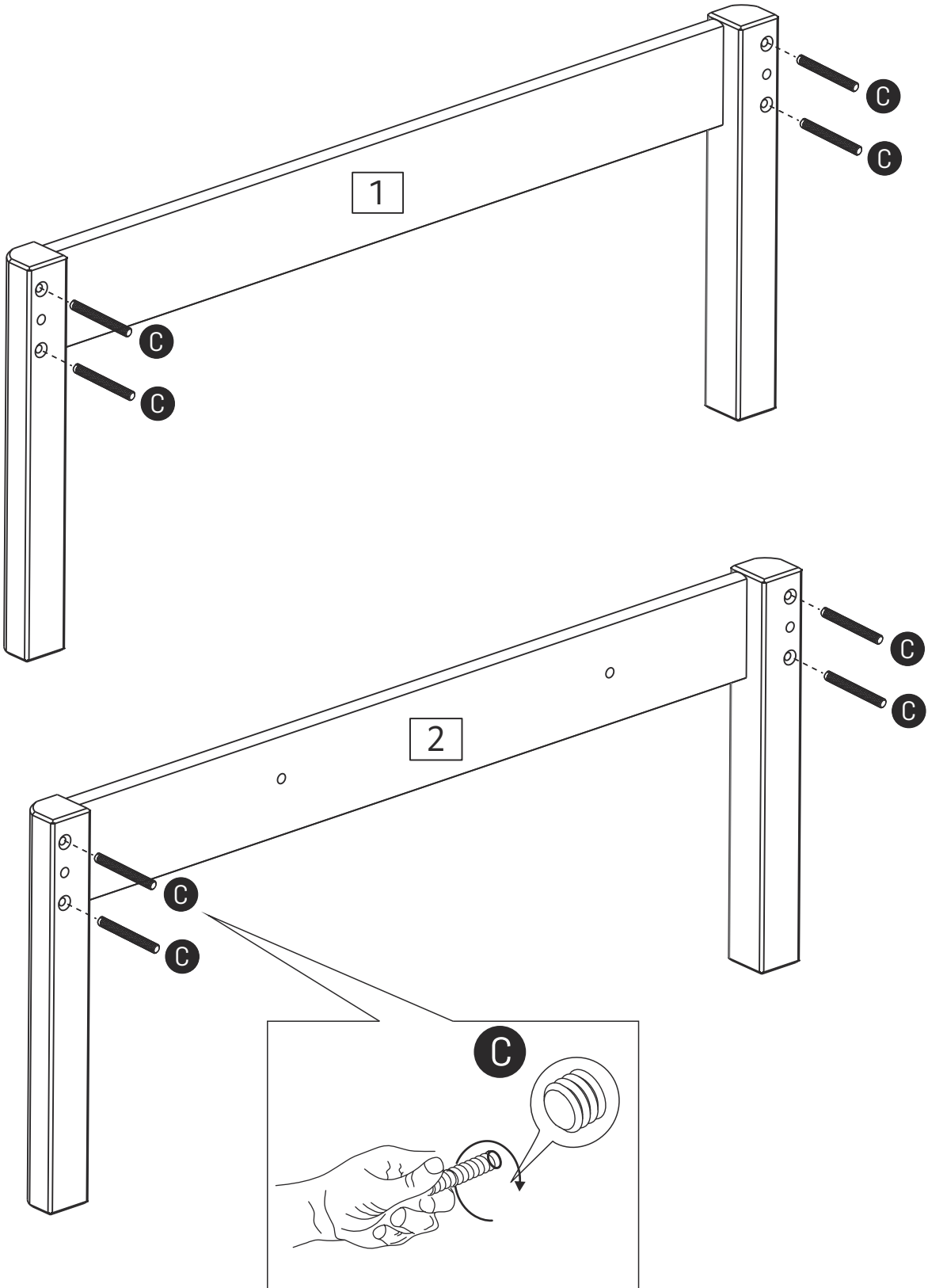
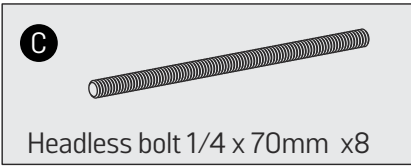


Small  
hammer

# 1

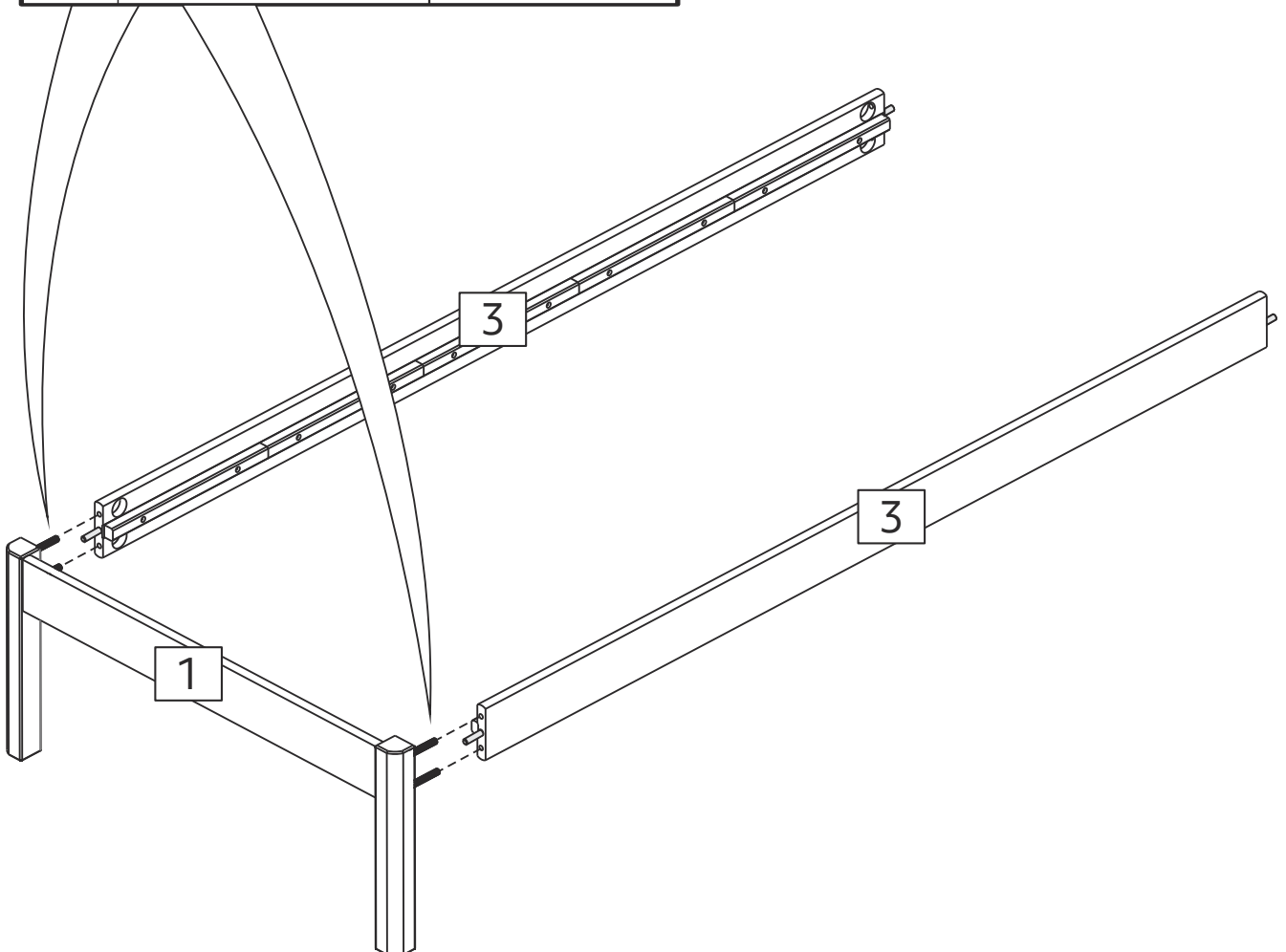
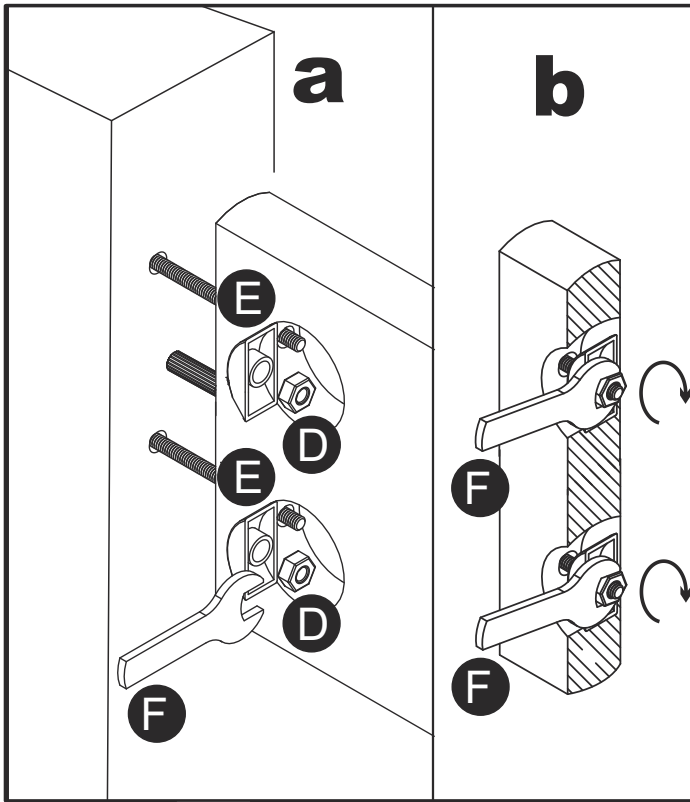
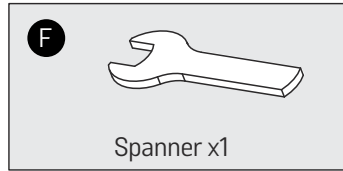
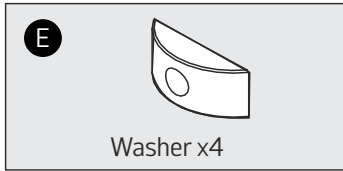
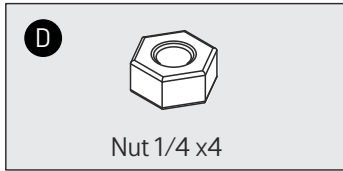


# 2



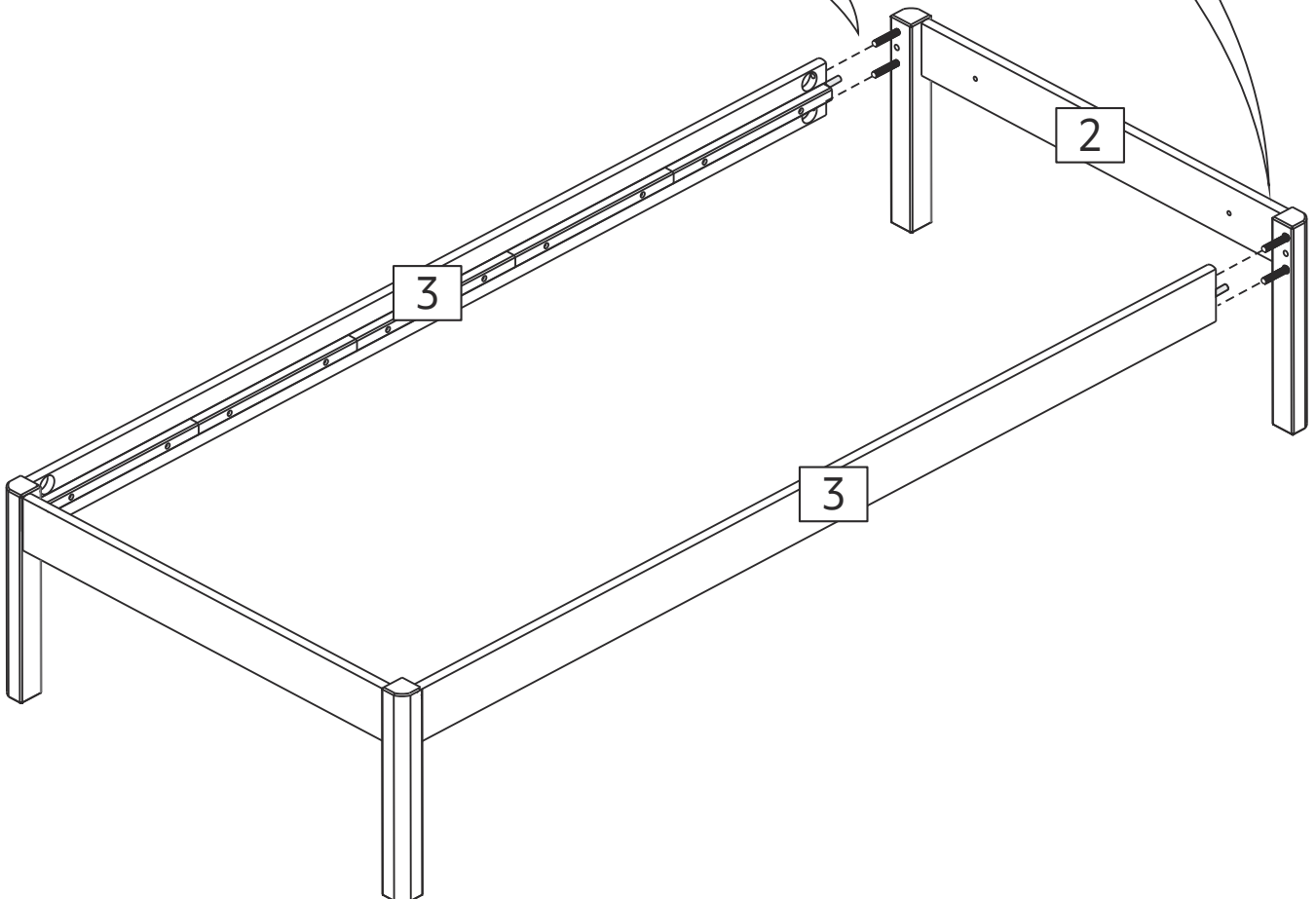
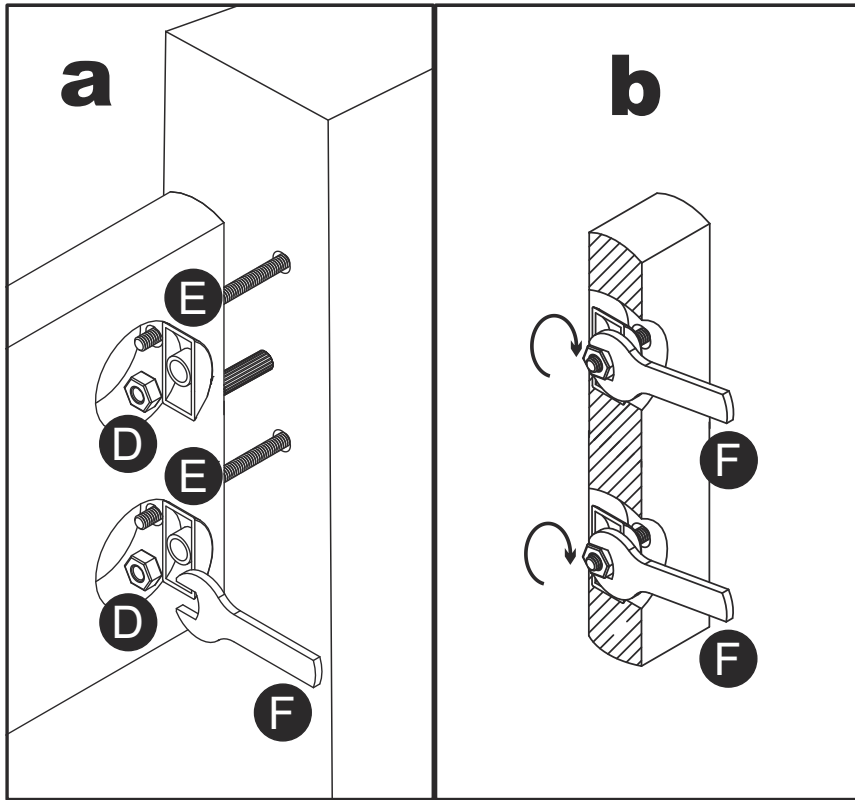
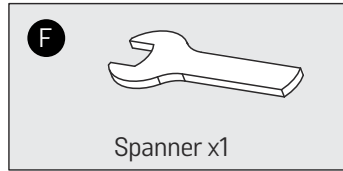
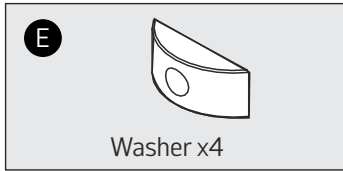
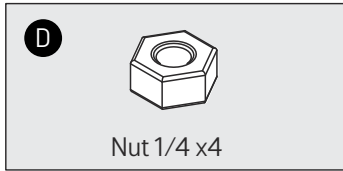
**MAKE SURE TO SCREW  
THE HEADLESS BOLT ALL THE WAY**

# 3

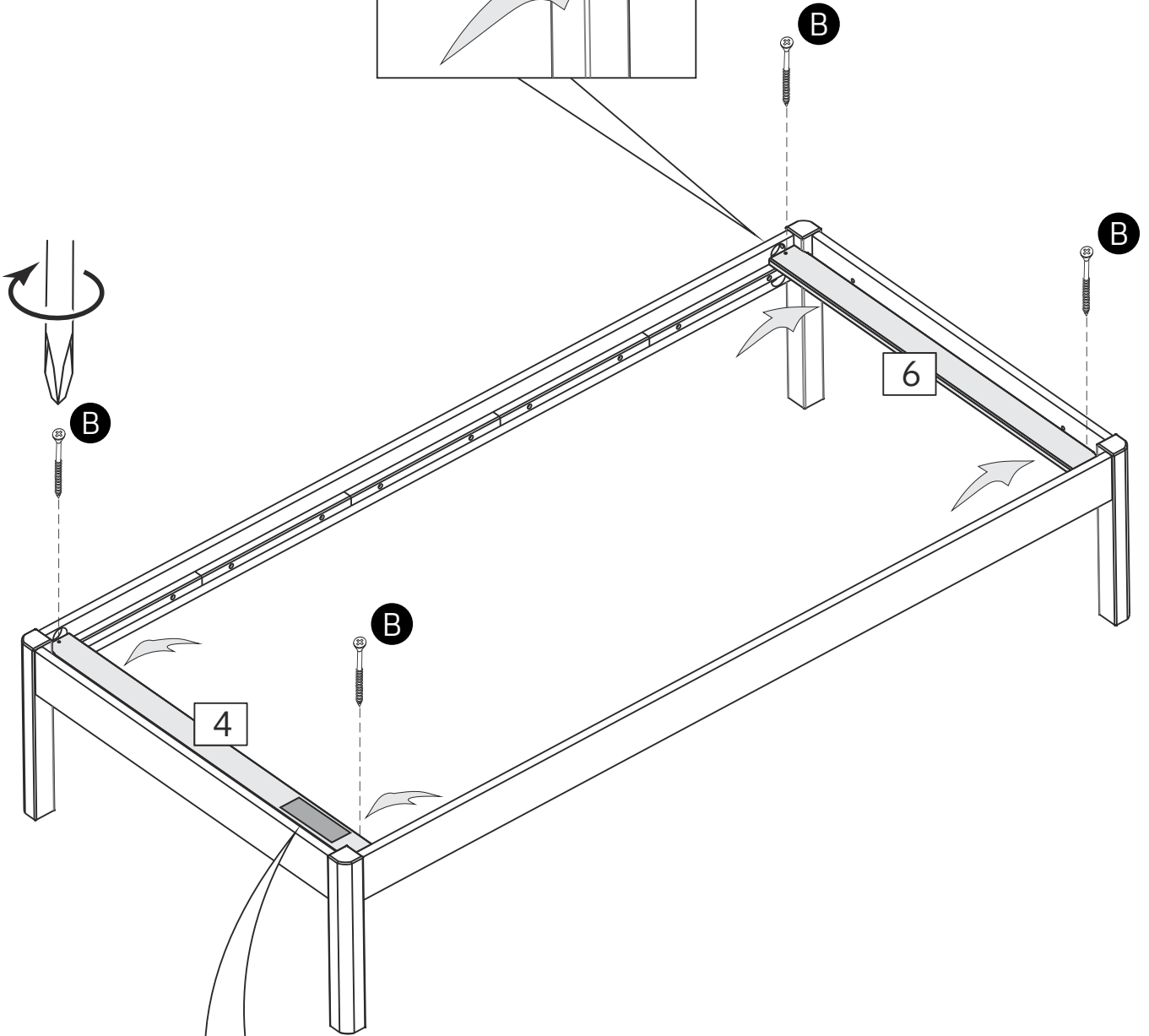
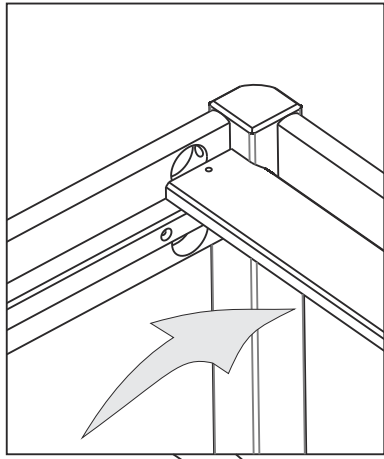
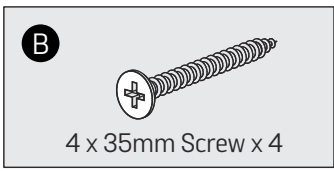




# 4



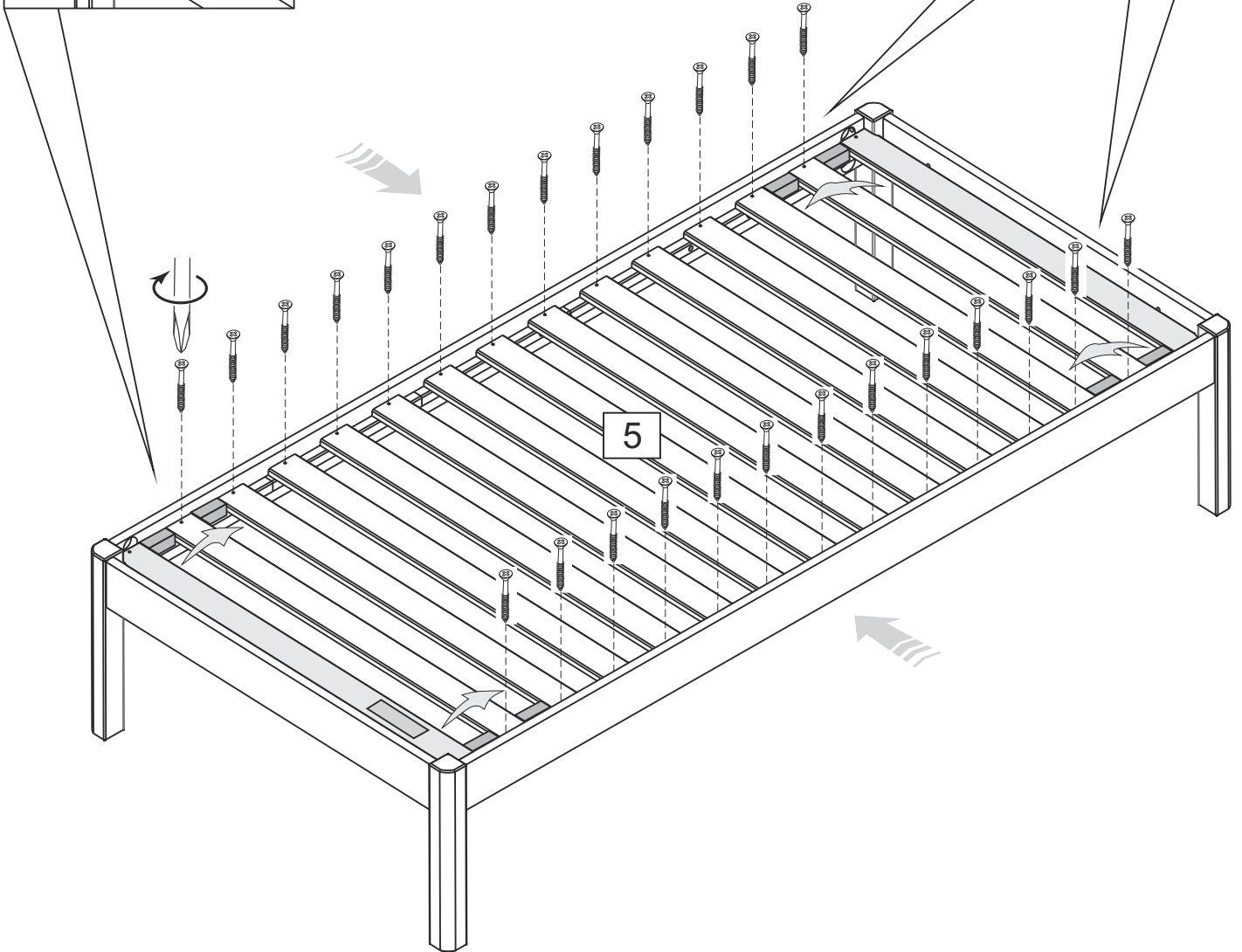
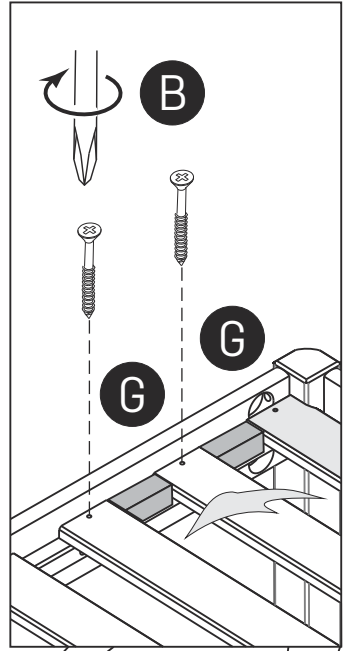
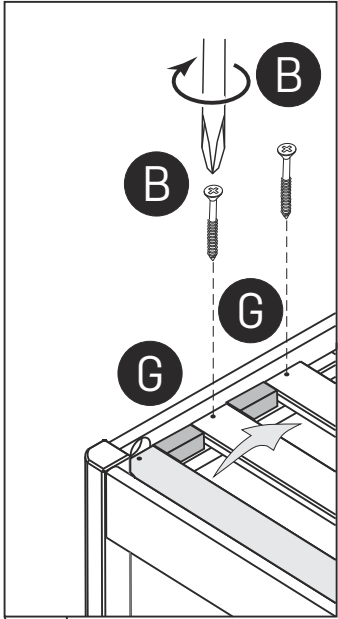
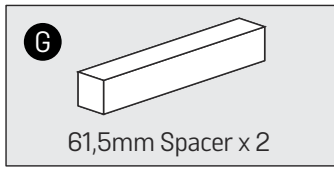
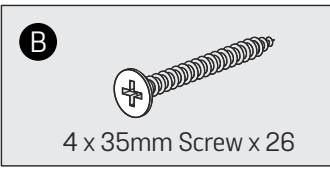
5



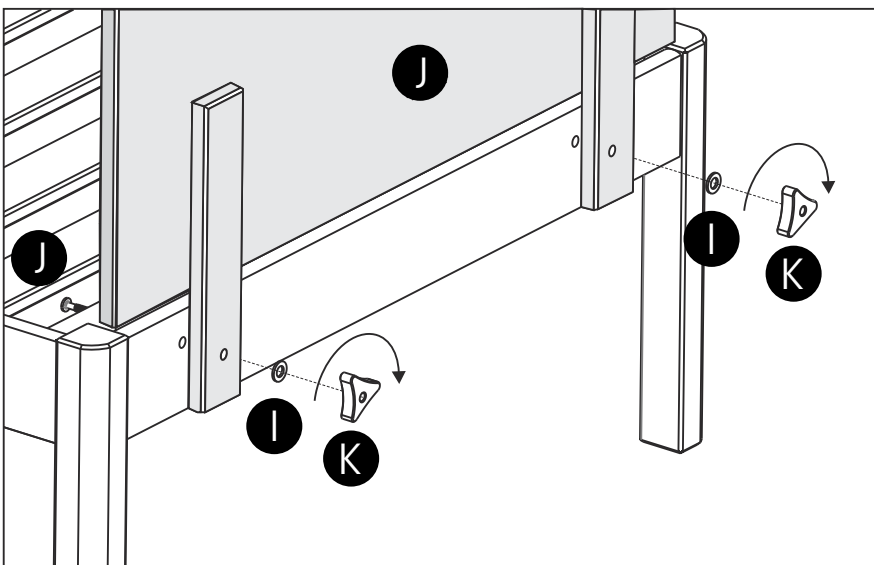
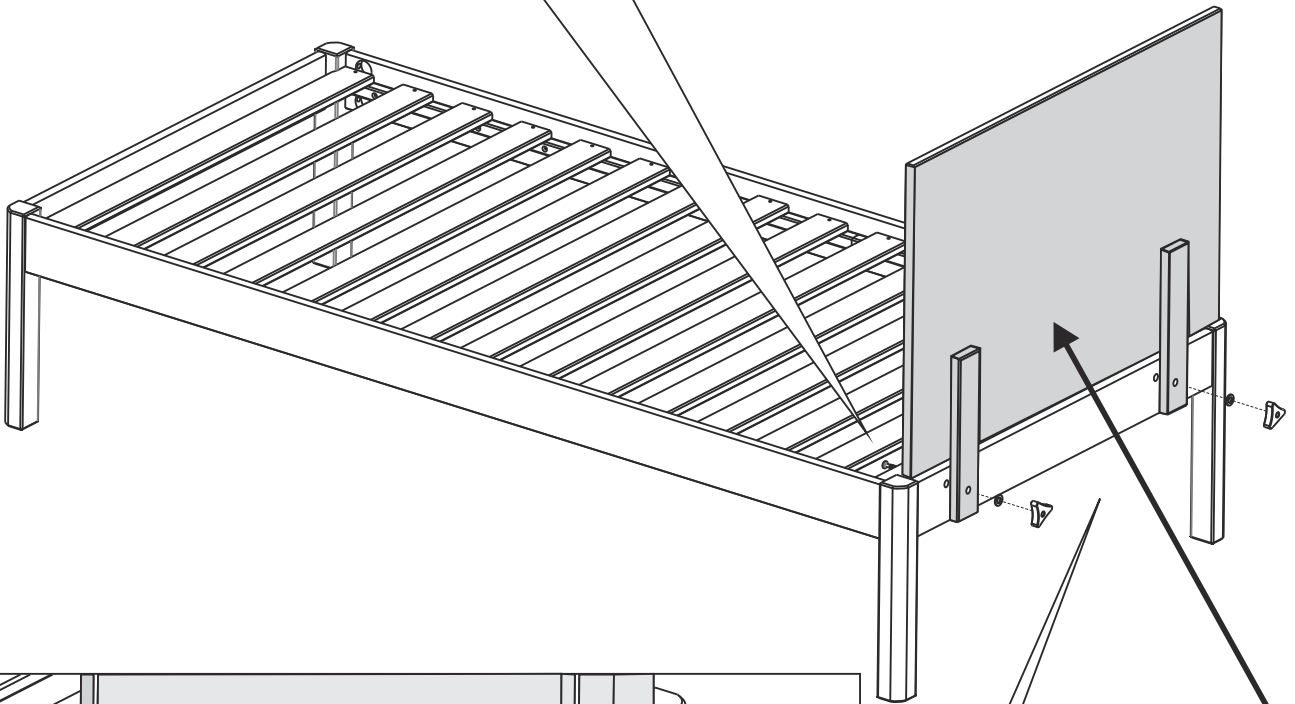
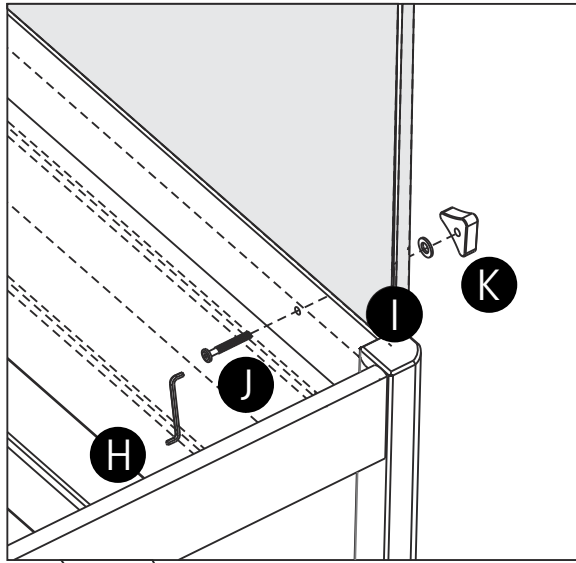
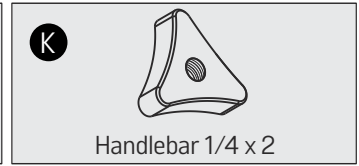
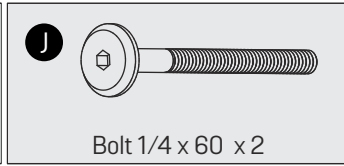
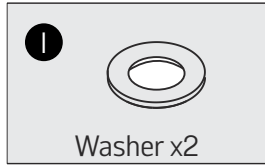
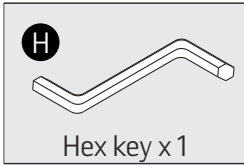
**ARGOS LTD**  
**B 8509: 2008**  
**+A1: 2011**

WARNING NOT SUITABLE  
FOR CHILDREN  
UNDER 4 YEARS

# 6



# 7



**HEADBOARD  
SOLD  
SEPARATELY!**