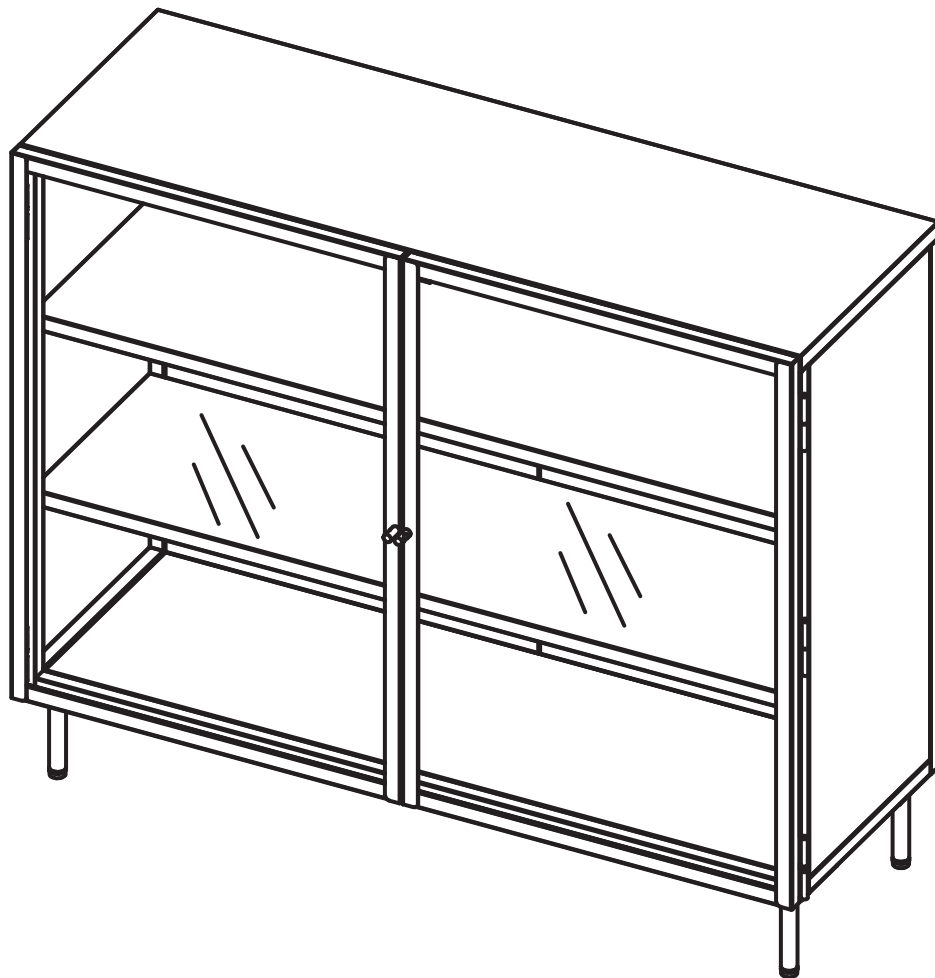


Morillo reeded habitat glass sideboard




Spare Parts

 www.argos-support.co.uk

 Help@ClickSpares.co.uk

 0370 112 1928

Customer Support

 0345 640 2020



Safety and Care Advice

Product Details

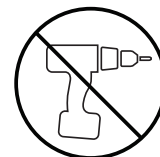
MORILLO REEDED GLASS SIDEBOARD BLACK 1358359

MORILLO REEDED GLASS SIDEBOARD BLUE 1930193

IMPORTANT, RETAIN FOR FUTURE REFERENCE: READ CAREFULLY.

- Keep children and animals away from the work area, small parts could choke if swallowed.
- Make sure you have enough space to layout the parts before starting.
- This product has been constructed to be used in the domestic environment only and not for commercial purposes.

- Assemble the item as close to its final position (in the same room) as possible.
- Assemble on a soft level surface to avoid damaging the unit or your floor.



as this could damage the unit. Only use hand screwdrivers.

- We do not recommend the use of power drill/drivers for inserting screws
- Parts of the assembly will be easier with 2 people.
- Dispose of all packaging carefully and responsibly.

Care and maintenance

- Use a dry cloth to clean the product, furniture polish is not recommended.
- The door with tempered glass, please handle with care.
- Clean glass with a damp cloth. Use only water/glass-cleaner. Wipe dry with clean a cloth.
- Do not use abrasives cleaning agents, as these may scratch the glass.
- If the glass is chipped or broken, stop using the product.
- From time to time check that there are no loose screws, nuts or bolts. If there are please re-tighten.
- Do not place very hot or very cold items directly on glass surfaces.
- Do not sit or stand on glass surfaces.
- Do not strike the glass with hard or pointed items, or use the glass as a chopping surface.
- Always supervise young children around glass products.
- This product should not be discarded with household waste. Take to your local authority waste disposal centre.
- In exceptional circumstances a scratched surface or damaged edge may cause the glass to break unexpectedly. The glass in this product is designed to break into small fragments rather than large/sharp pieces. Avoid impacts on the side or edges of the glass, as this is where the glass is most vulnerable.

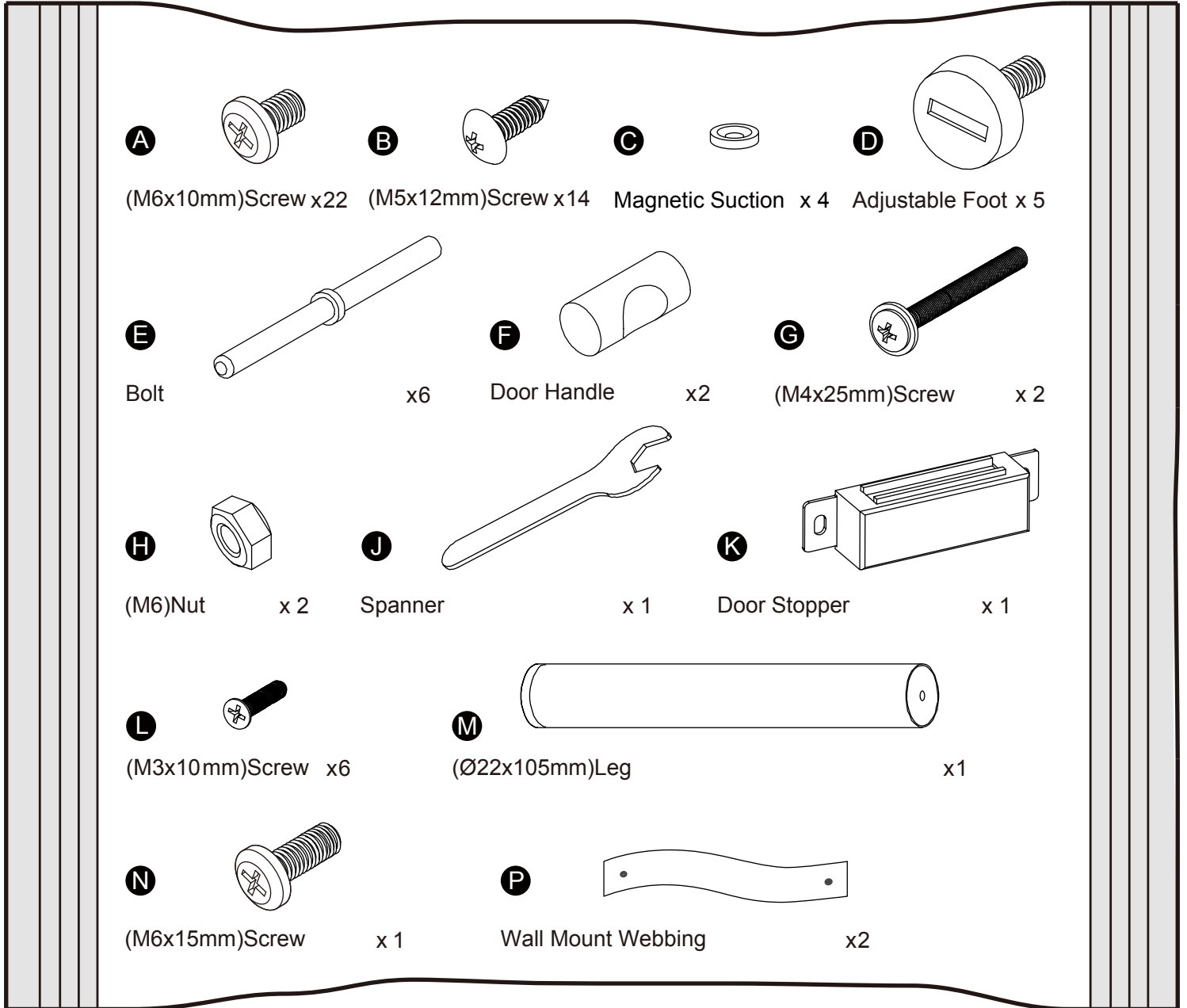
Additional Guidance

- Assemble all parts and bolts loosely during assembly, only once the product is complete should you fully tighten the bolts.
- Regularly check and ensure that all bolts and fittings are tightened properly.
- Maximum loading weight 50 kg, Shelf maximum loading weight 10 kg.
- This product is compliant BS 4875-7 & EN 14749.
- Keep the instructions for future reference.

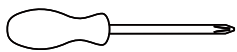
Argos Limited, 489-499 Avebury Boulevard, Milton Keynes, MK9 2NW. [Argos \(N.I.\) Ltd, Forestside Shopping Centre, Upper Galwally, Belfast, United Kingdom, BT8 6FX.](#) Argos Distributors (Ireland) Limited, Unit 7, Ashbourne Retail Park, Ballybin Road, Ashbourne, County Meath, Ireland.

Fittings

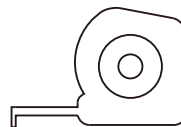
Bag 1



Tools required



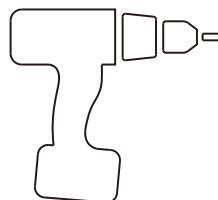
Phillips screwdriver
(small & medium)



Ruler/tape
measure

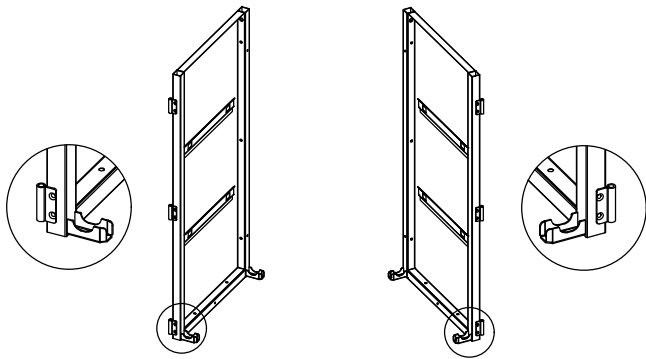


Drill Heads (M8)

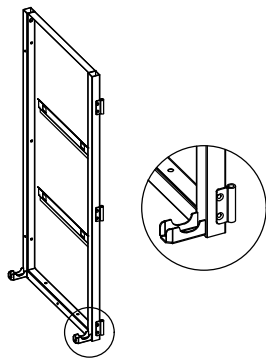


Power Drill
Only used for
drilling walls

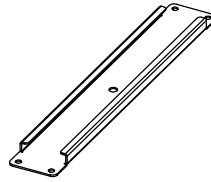
Panels and tubes



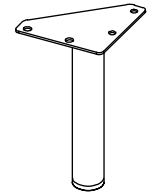
1 Side Panel
(335 x 698mm)



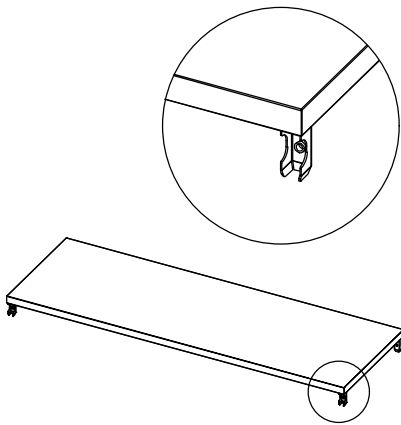
2 Side Panel
(335 x 698mm)



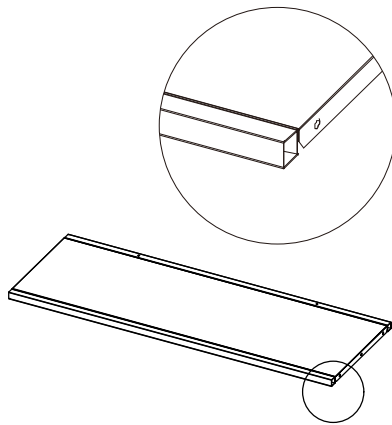
3 Middle Frame
(330 x 50mm)



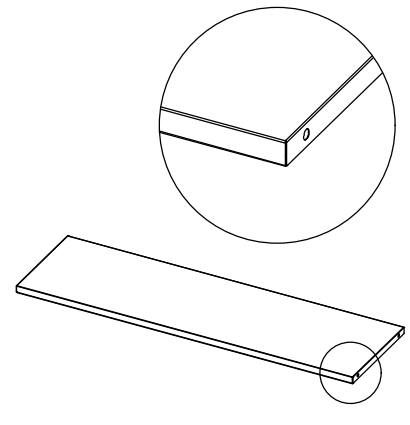
4 Leg x4



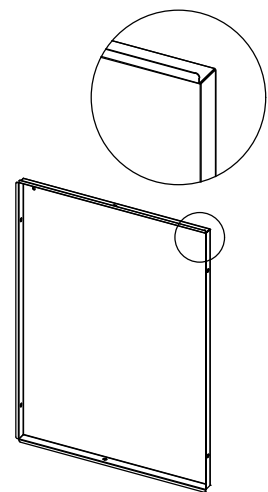
5 Top
(335 x 1000mm)



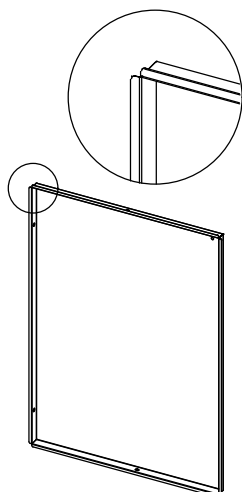
6 Bottom
(294 x 960mm)



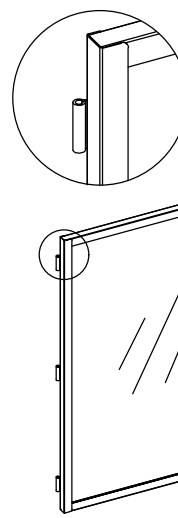
7 Shelf
(289 x 997mm) x2



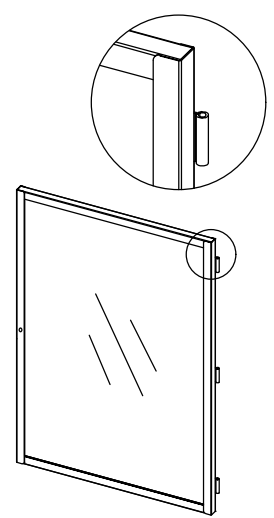
8 Back
(486 x 692mm)



9 Back
(493 x 692mm)

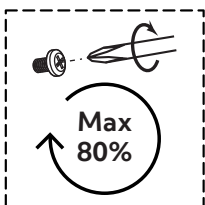
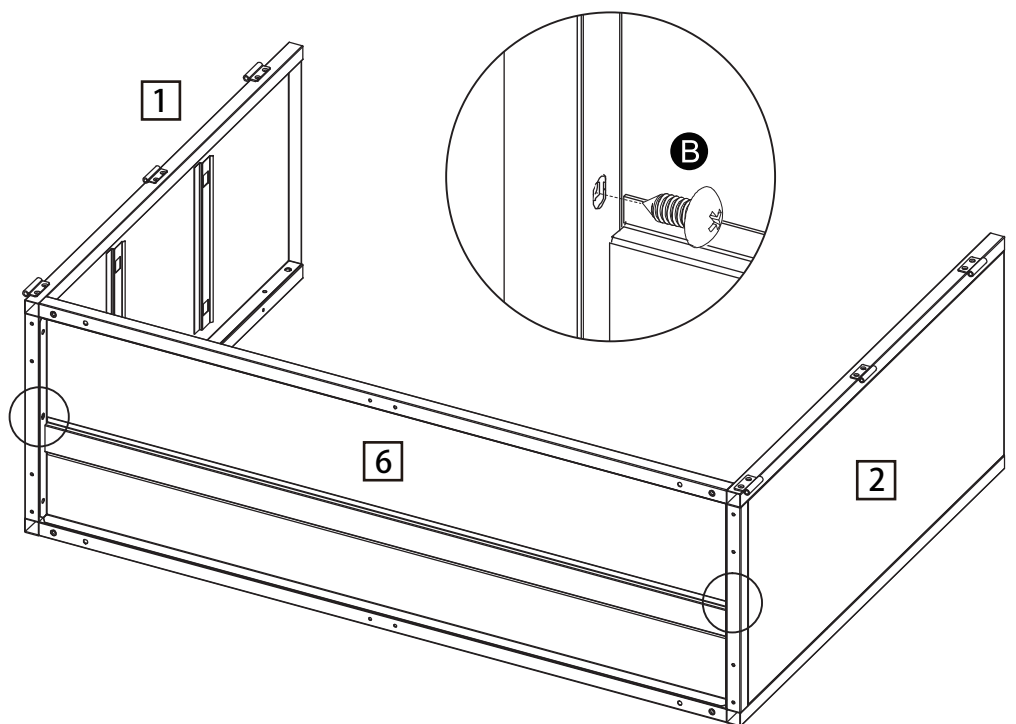
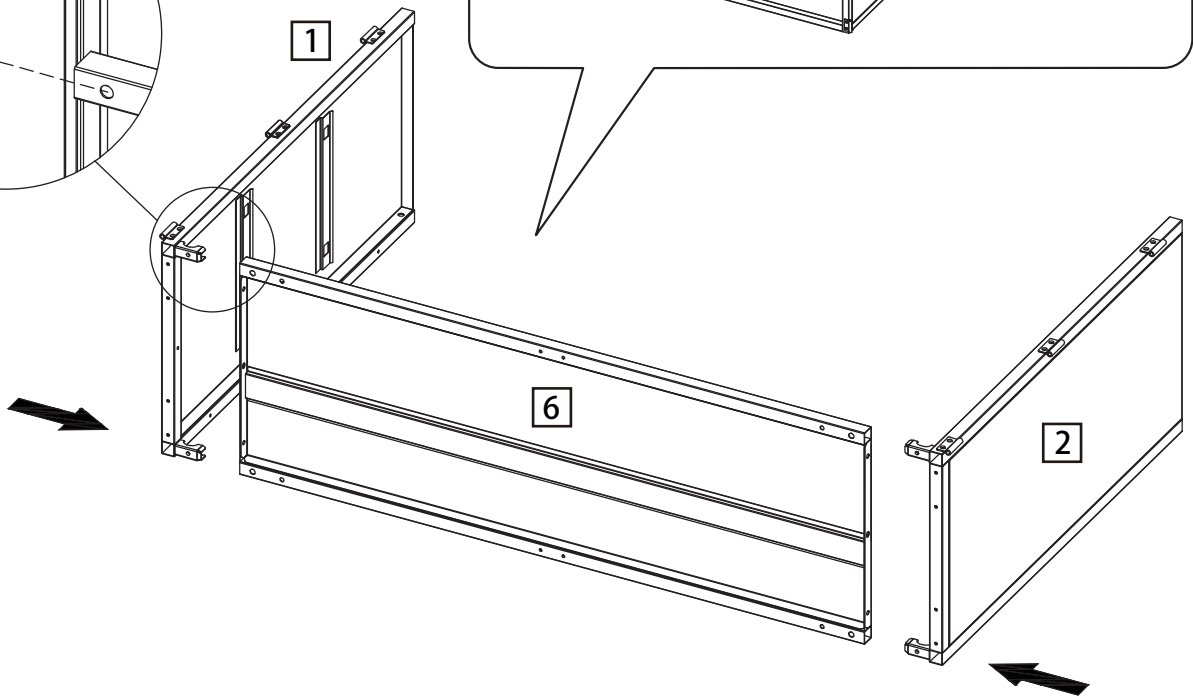
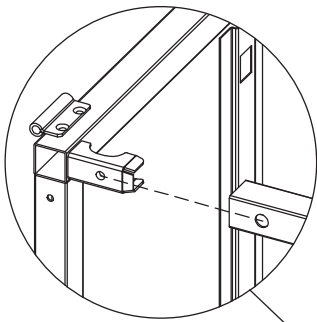
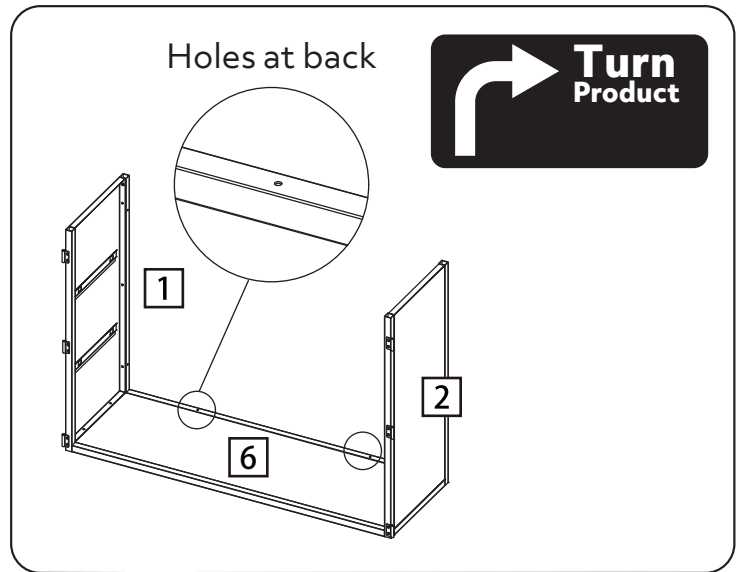
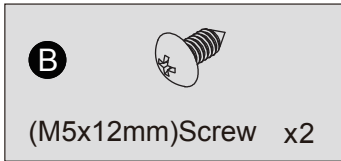


10 Door
(499 x 720mm)



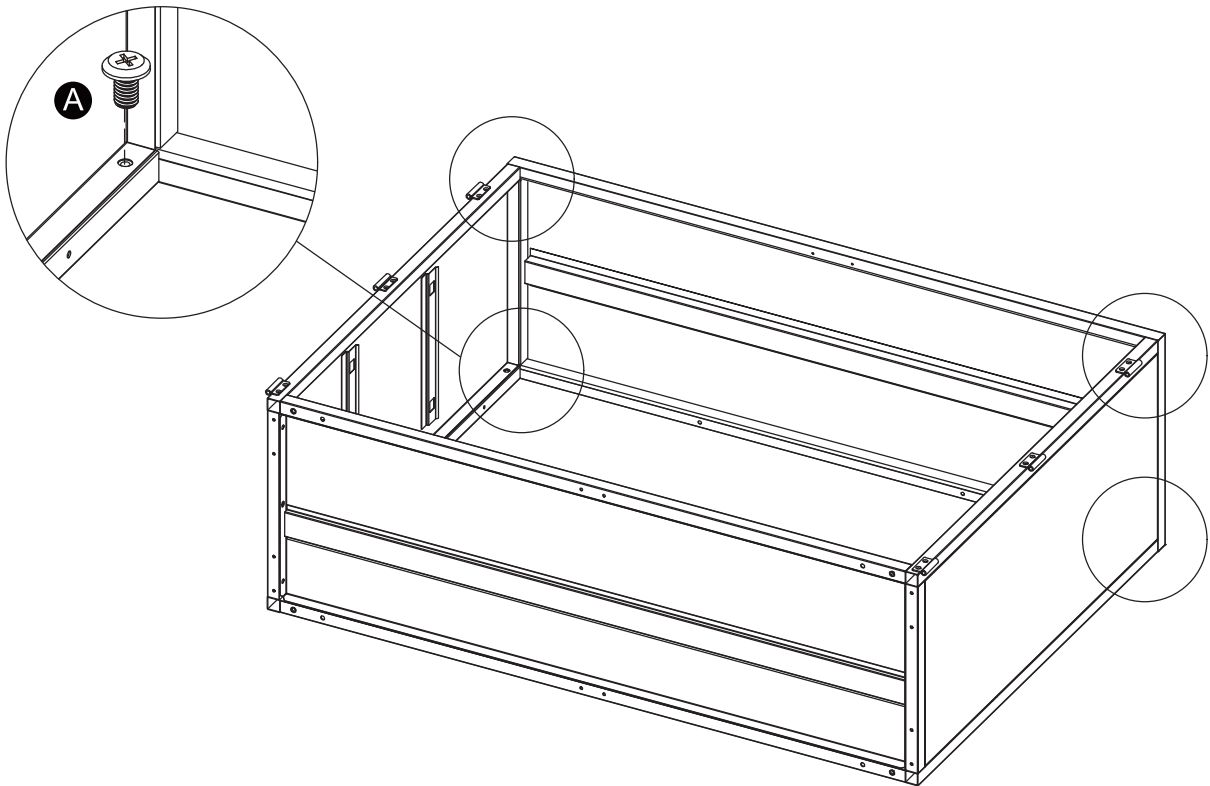
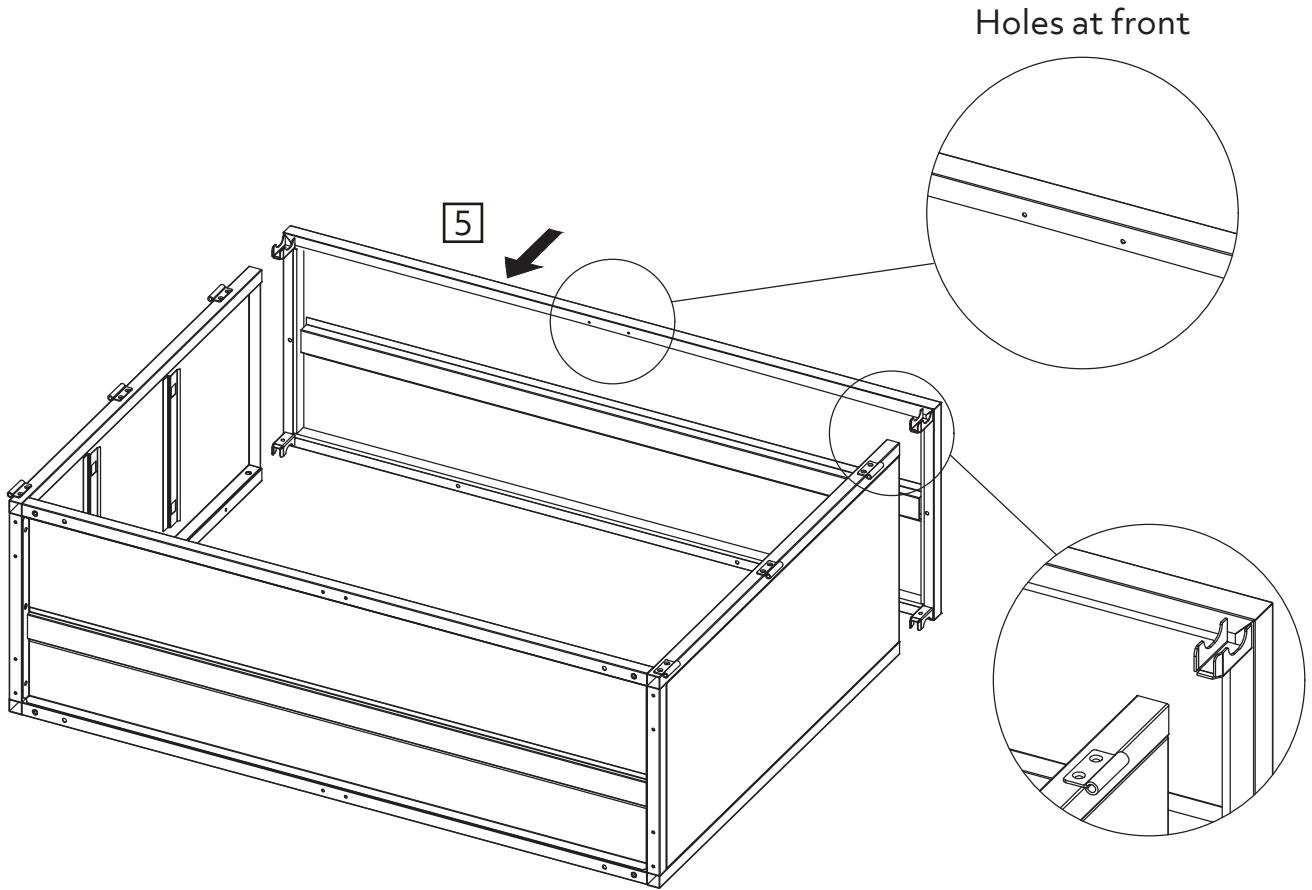
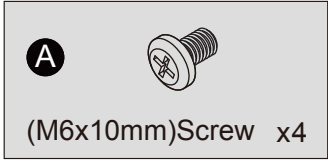
11 Door
(499 x 720mm)

1



Important:
Do not fully tighten the screws until the last step.

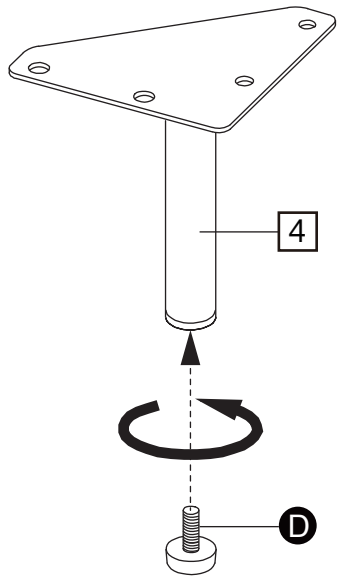
2



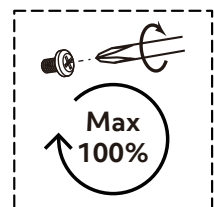
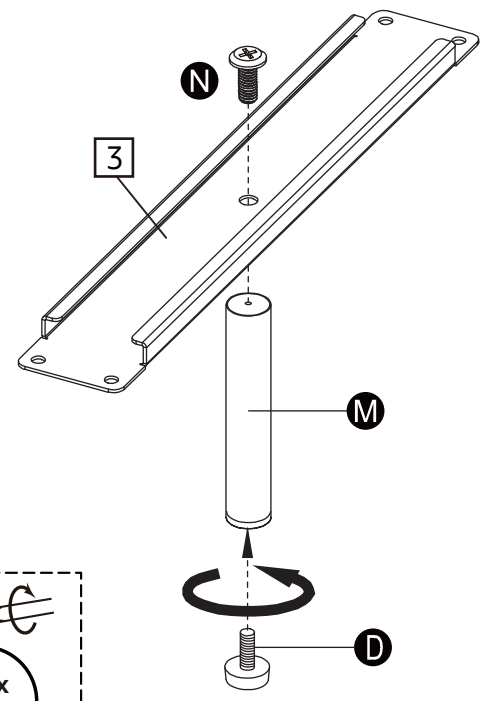
3

- A** (M6x10mm)Screw x16
- B** (M5x12mm)Screw x4
- D** Adjustable Foot x5
- N** (M6x15mm)Screw x1

- M** (Ø19x105mm)Leg x1



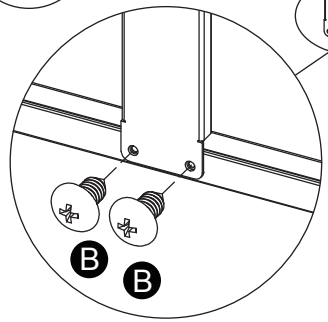
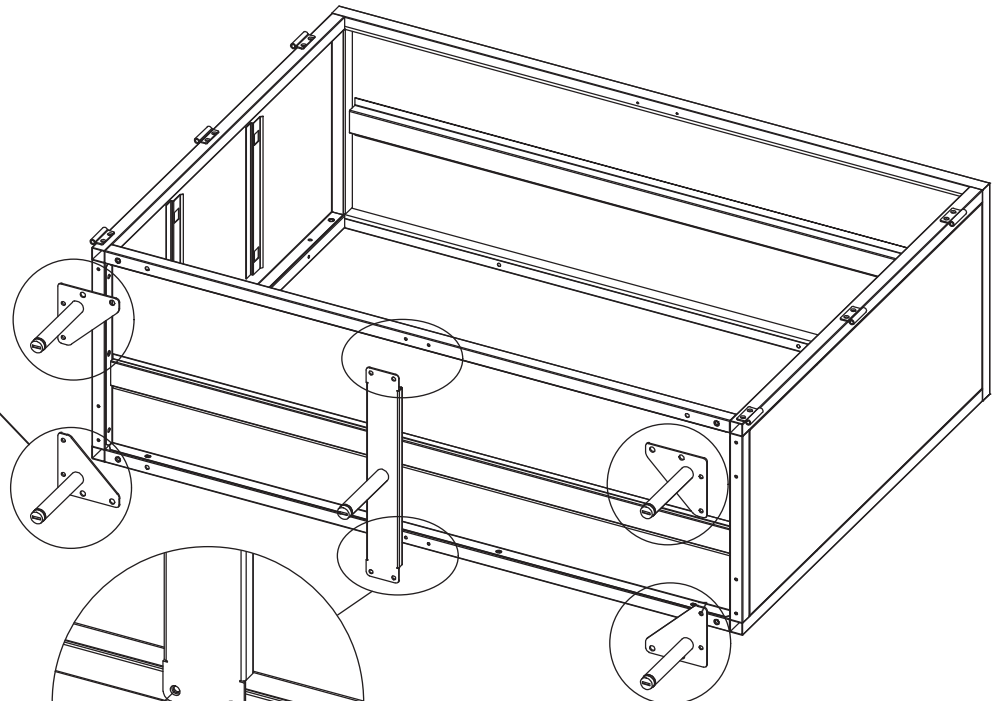
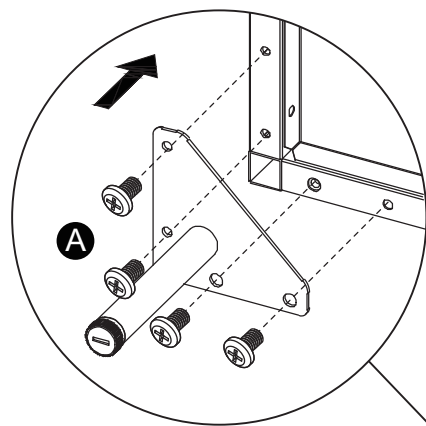
Repeat x4



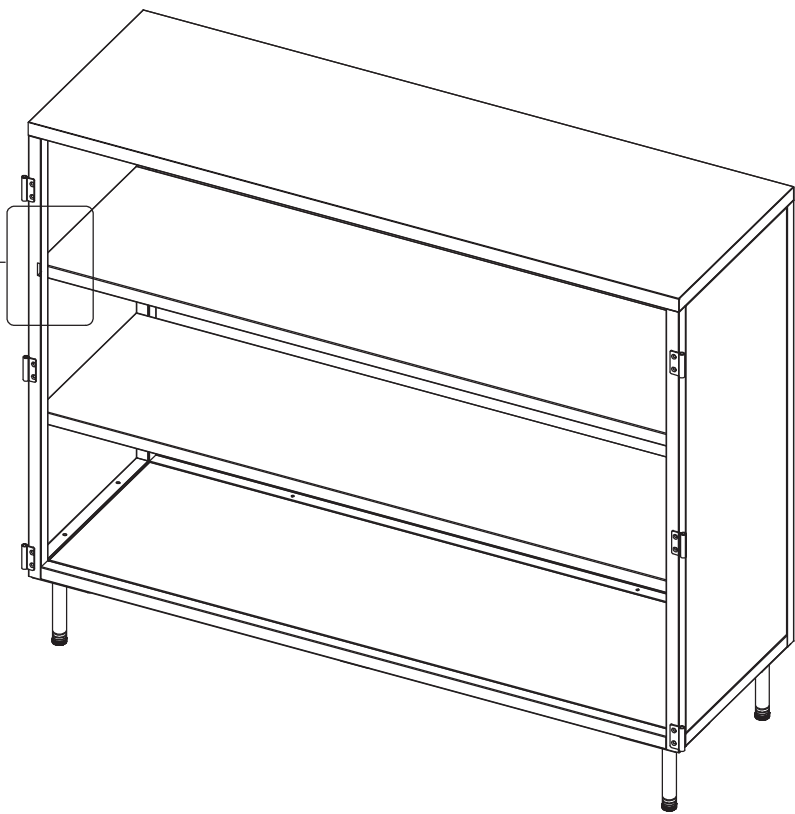
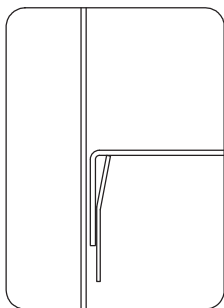
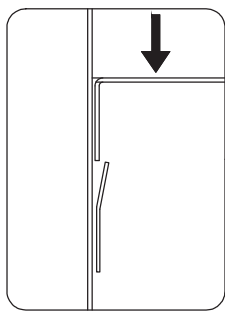
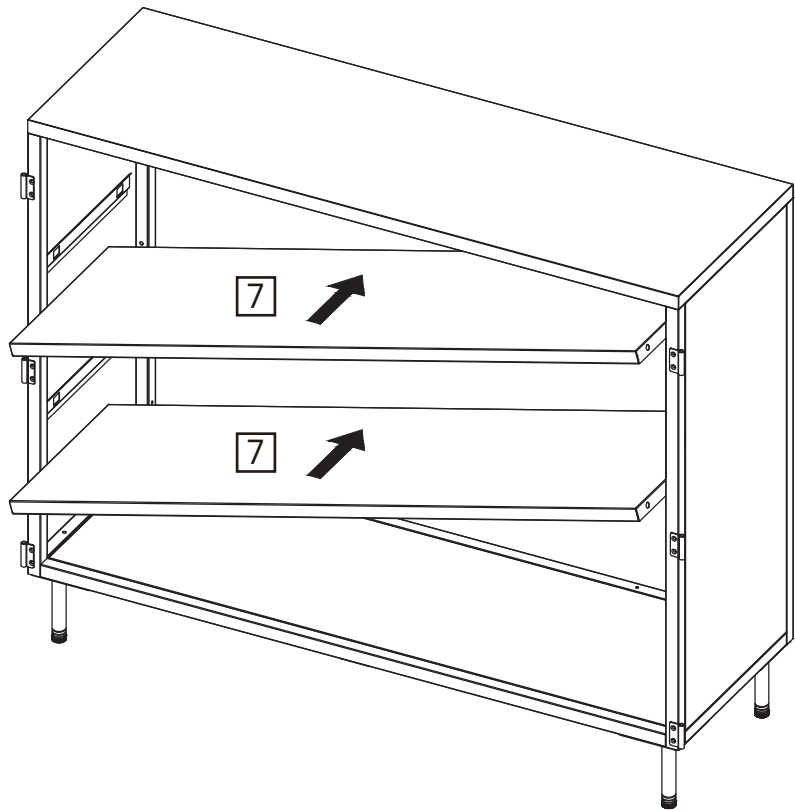
After fully assembled, part D can be loosen to make the unit stable on uneven floor.







Important: Fully tighten the screws N at this step.




4

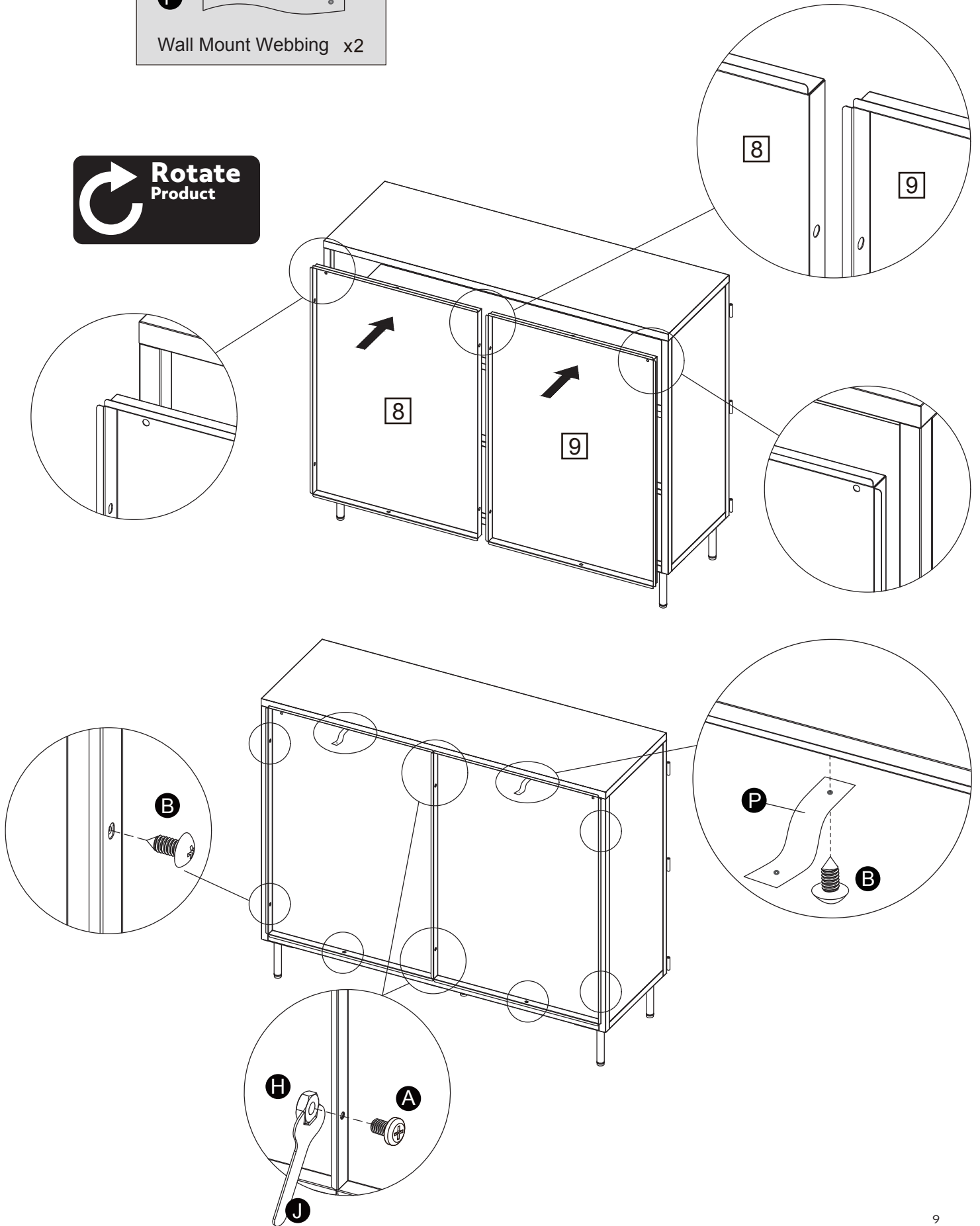


5

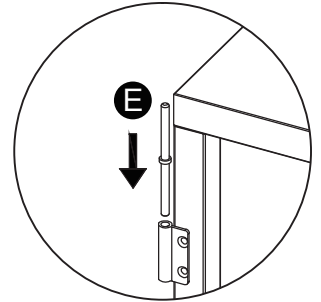
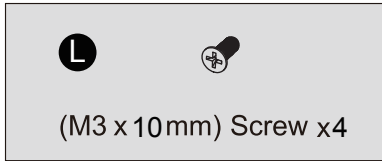
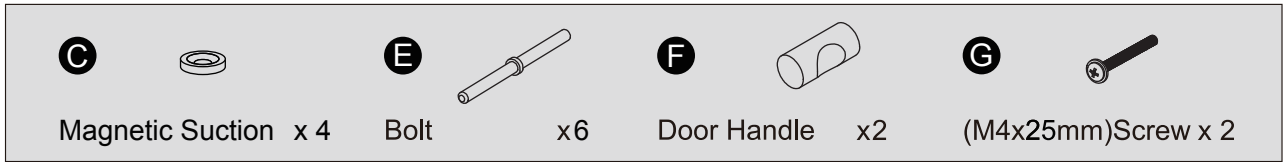
A		B		H		J	
(M6x10mm)Screw x2		(M5x12mm)Screw x8		(M6)Nut x 2		Spanner x 1	

P 
Wall Mount Webbing x2

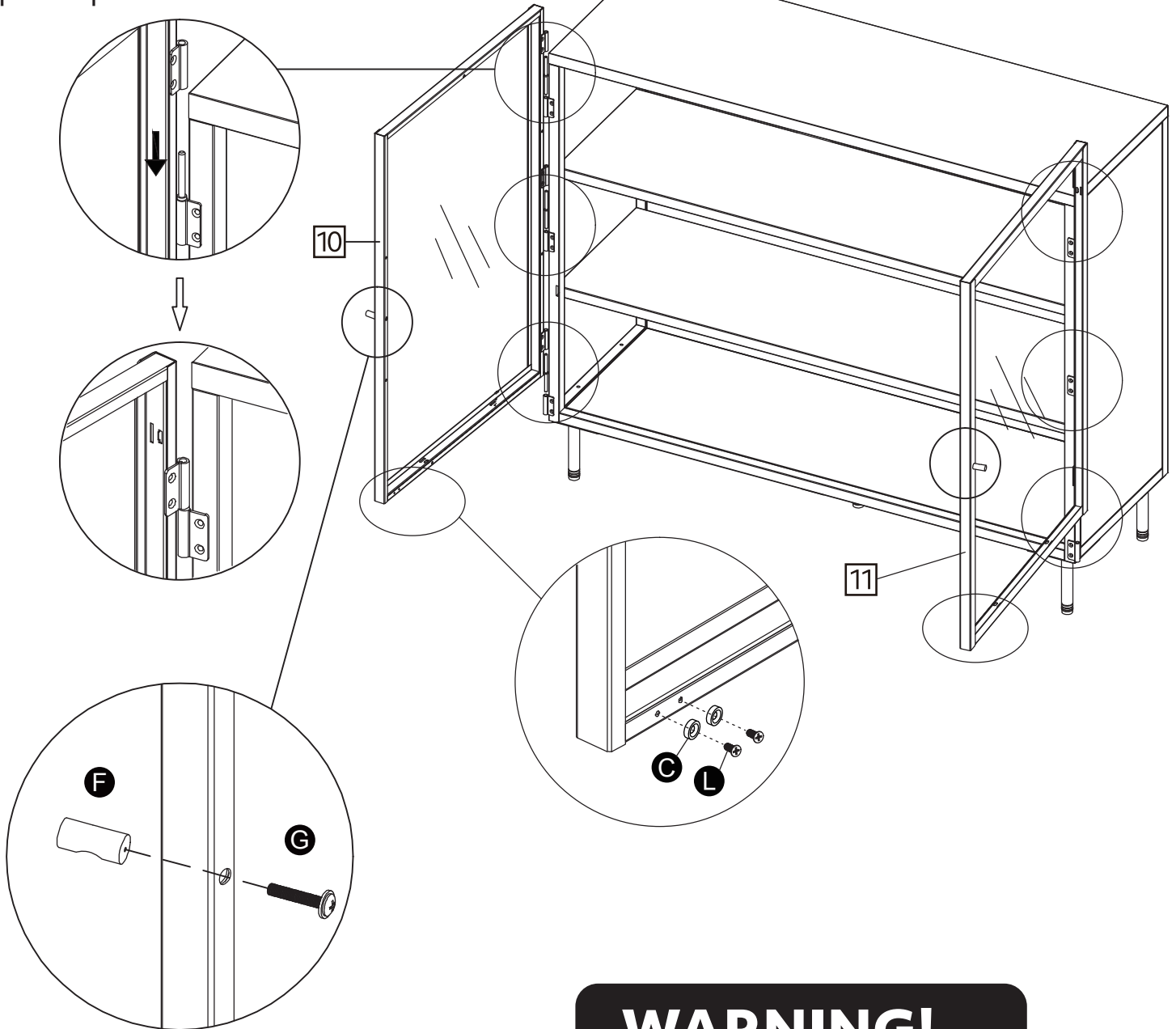
 **Rotate Product**



6



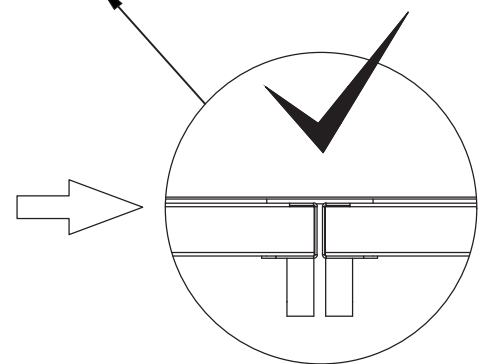
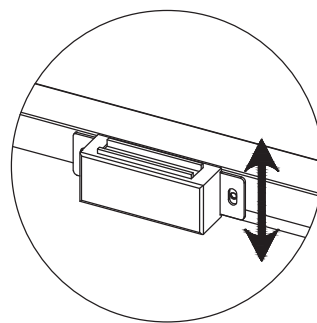
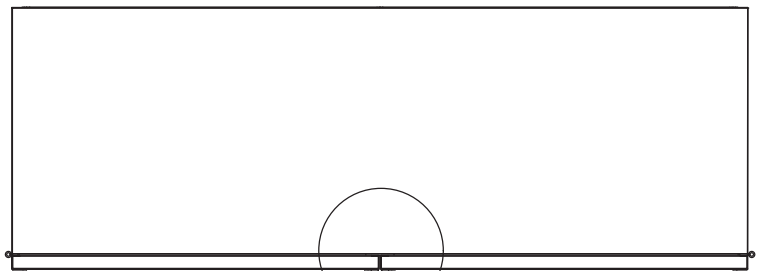
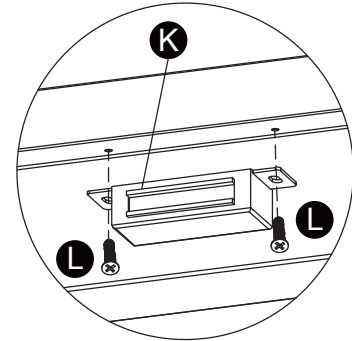
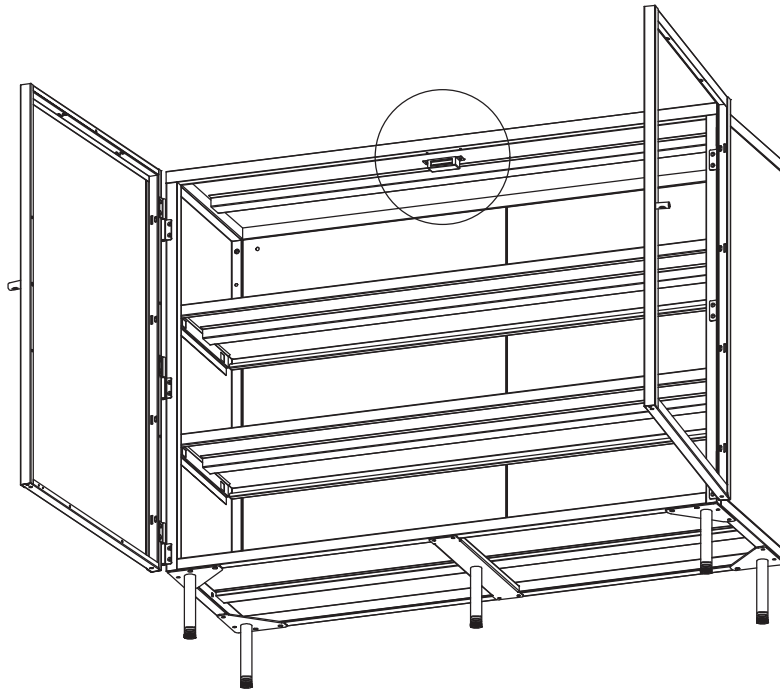
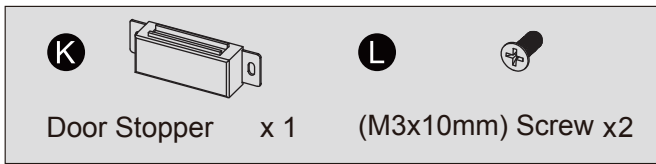
Part Ex3 on each door need to put in place at the same time.



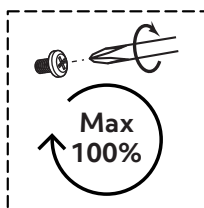
The groove on the handle should face down.

WARNING!
The door bolts are inserted, please do not lift the door up when in use to prevent falling off.

7



Do not fully tighten the screws before part K is in the correct position where the doors can be closed tightly.



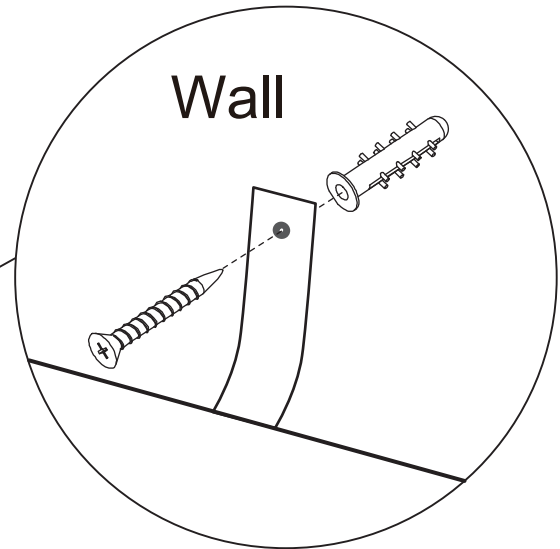
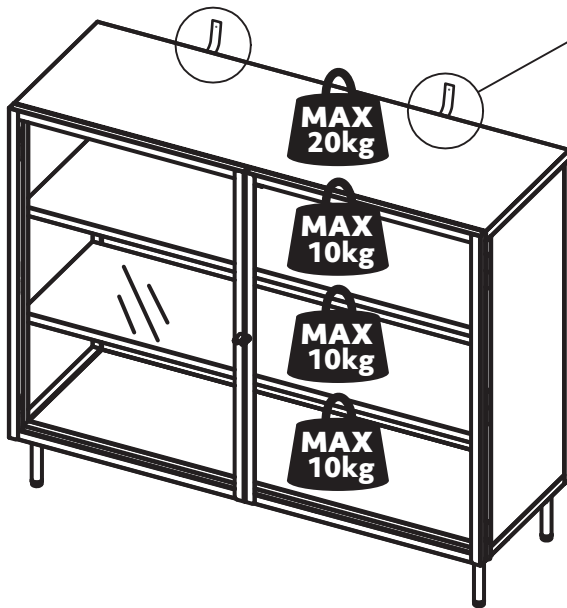
Important:

After all the parts are positioned, you can now fully tighten all screws fixed on previous steps.

8

WARNING!

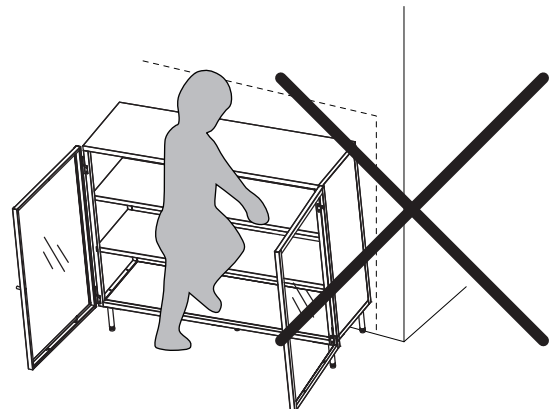
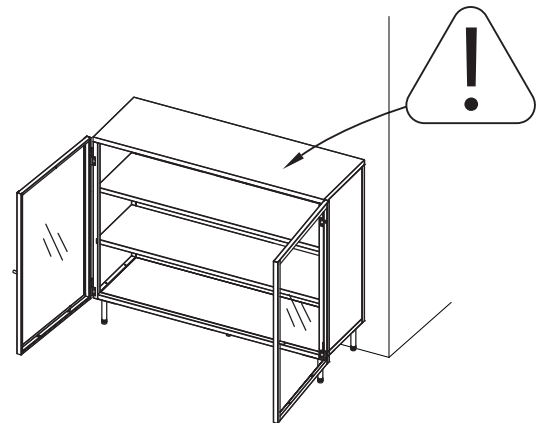
IN ORDER TO PREVENT OVERTURNING
THIS PRODUCT MUST BE USED WITH
THE WALL ATTACHMENT DEVICE
PROVIDED



Assembly is complete

- **WARNING:** To prevent possible overbalancing this unit must be secured to a wall using the overbalance protector kit supplied.

- A unit that is allowed to topple can cause serious or fatal injury. In addition to wall fixing the unit, place heavy items on the lower shelves, do not put any heavy objects on top of the unit and never allow children to climb or hang on drawers, doors or shelves.



A Guide to - Wall Mounting & Fixings

Important note:

If plastic wall plugs are supplied with your product:



- these are only suitable for use in masonry walls.

If you are in any doubt about the correct wall plugs for your wall, seek professional advice.


Failure of the product due to using incorrect fixings is the responsibility of the installer.



Important: When drilling into walls always check that there are no hidden wires or pipes etc.

Make sure that the screws and wall plugs being used are suitable for supporting your unit. Consult a qualified tradesperson if you are unsure.

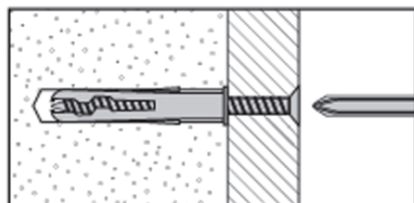
Hints:

- 1: General rule:**  Always use a larger screw and wall plug if you are not sure.
- 2:** Ensure you use the recommended drill bit to match the wall plug and hole size.
- 3:** Ensure you drill the hole horizontally, do not force the drill or enlarge the hole.
- 4:** Take extra care when drilling high walls, ceilings and ceramic tiles. Ensure wall plugs are inserted beyond the thickness of the ceramic tiles to avoid the tiles splitting or cracking.
- 5:** Ensure wall plugs are well fitted and are a tight fit in the drilled hole.

Types of walls

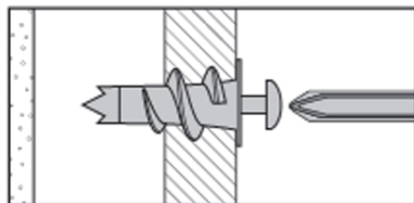
You can use one of the following types of wall plug if your walls are made of brick, breeze block, concrete, stone or wood.

No.1 "General Purpose" wall plug



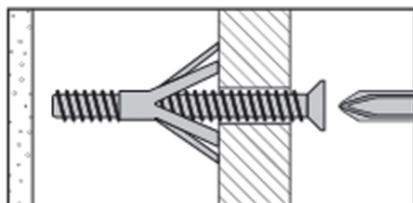
Generally aerated blocks should not be used to support heavy loads, use a specialist fitting in this case. For light loads, general purpose wall plugs can be used.

No.2 "Plasterboard" wall plug



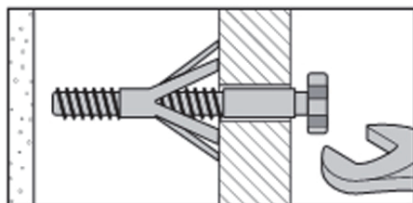
For use when attaching light loads on to plasterboard partitions.

No.3 "Cavity Fixing" wall plug



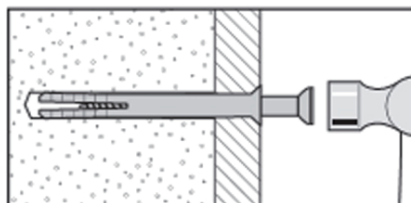
For use with plasterboard partitions or hollow wooden doors.

No.4 "Cavity Fixing-Heavy Duty" wall plug



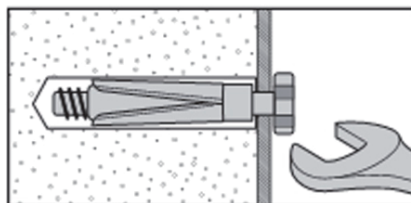
For use when fitting or supporting heavy loads such as shelving, wall cabinets and coat racks.

No.5 "Hammer Fixing" wall plug



For use with walls stuck with plasterboard. The hammer fixing allows it to be fixed to the wall rather than the plasterboard. Always check the fixing is secure to the retaining wall.

No.6 "Shield Anchor" wall plug Heavy loads



For use with heavier loads such as TV & HiFi speakers and satellite dishes etc.



Care & Maintenance

Safety: Always check the fitting and location to ensure your safety in and around the home.

Fitting: From time to time check the fitting to ensure the wall plugs or screws do not become loose.