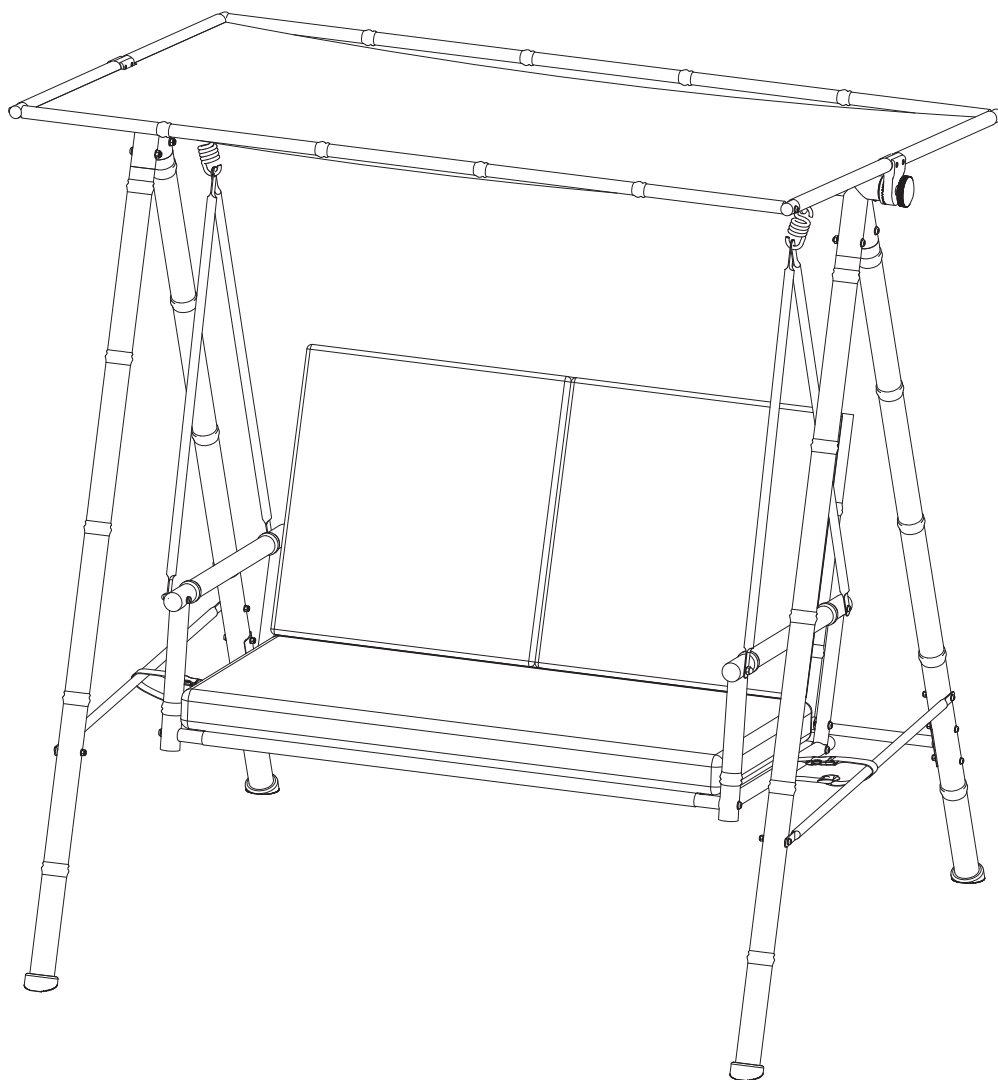


HONOLULU BAMBOO 2 SEATER SWING

habitat 



Spare Parts

 www.argos-support.co.uk

 Help@ClickSpares.co.uk

 0370 112 1928

Customer Support

 0345 640 2020



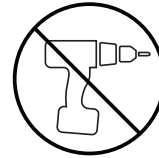
Safety and Care Advice

Product Details

134/7085

IMPORTANT, RETAIN FOR FUTURE REFERENCE: READ CAREFULLY.

- Keep children and animals away from the work area, small parts could choke if swallowed.
- Assemble the item as close to its final position (in the same room) as possible.
- Assemble on a soft level surface to avoid damaging the unit or your floor.
- We do not recommend the use of power drill/drivers for inserting screws as this could damage the unit. Only use hand screwdrivers.
- Parts of the assembly will be easier with 2 people.
- Dispose of all packaging carefully and responsibly.



Care and maintenance

- Only clean using a damp cloth and mild detergent, do no use bleach or abrasive cleaners.
- From time to time check that there are no loose screws, nuts or bolts. If there are please re-tighten.
- This product should not be discarded with household waste. Take to your local authority waste disposal centre.
- Use a dry cloth to clean the product, furniture polish is not recommended.

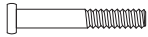
Additional Guidance

- Assemble all parts and bolts loosely during assembly, only once the product is complete should you fully tighten the bolts.
- Regularly check and ensure that all bolts and fittings are tightened properly.
- Maximum user weight 220kg,
- This product is compliant BS EN581-1; BS EN581-2

Made in (China) for Habitat. Argos Limited, 489-499 Avebury Boulevard, Milton Keynes, MK9 2NW. Argos (N.I.) Ltd, Forestside Shopping Centre, Upper Galwally, Belfast, United Kingdom, BT8 6FX. Argos Distributors (Ireland) Limited, Unit 7, Ashbourne Retail Park, Ballybin Road, Ashbourne, County Meath, Ireland.

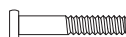
Fittings (Shown to scale)

A



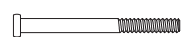
M8 x 60mm Screw x 4

B



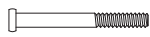
M8 x 50mm Screw x 6

C



M6 x 75mm Screw x 2

D



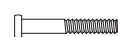
M6 x 60mm Screw x 8

E



M6 x 50mm Screw x 2

F



M6 x 40mm Screw x 4

G



M8 Metal washer x 14

H



M6 Metal washer x 28

I



M8 Metal washer x 4

J



M6 Metal washer x 12

K



M6 Plastic cap x 2

L



M6 Plastic cap x 2

M



Adjustable knob x 2

N



Foot cap x 4

O



Chain x 2

P



Allen key x 1

Q



Spanner x 1

Components - Parts



1 Top support tube x 1



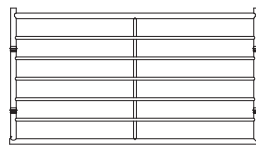
2 Front leg x 2



3 Back leg x 2



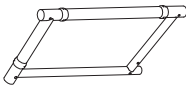
4 Middle support tube x 1



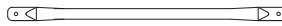
5 Swing back x 1



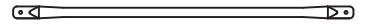
6 Swing seat x 1



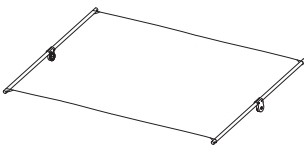
7 Hand tube x 2



8 Front connector x 2



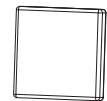
9 Back connector x 4



10 Swing top x 1



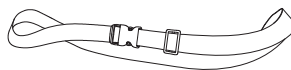
11 Swing top tube x 2



12 Back cushion x 2

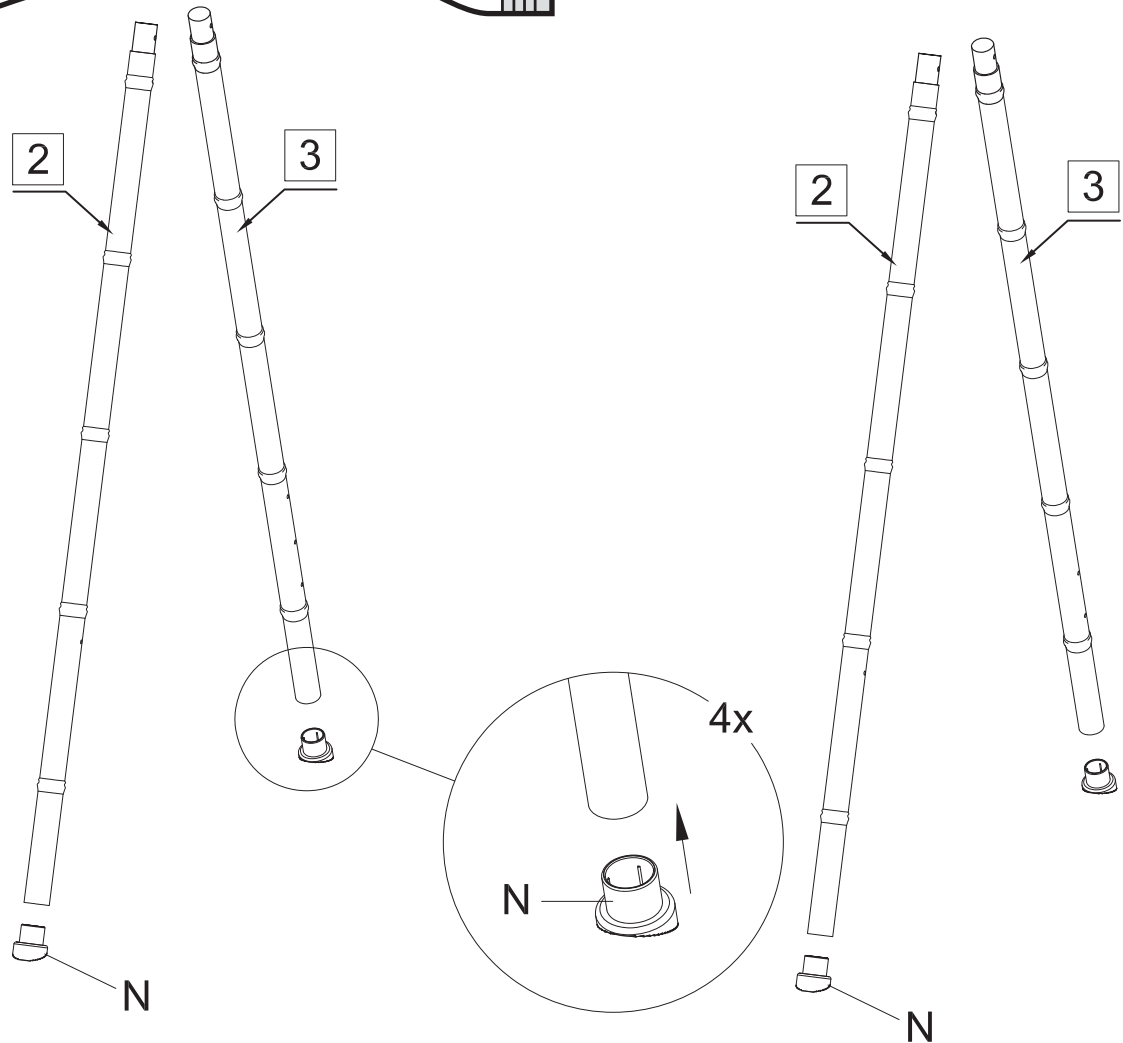
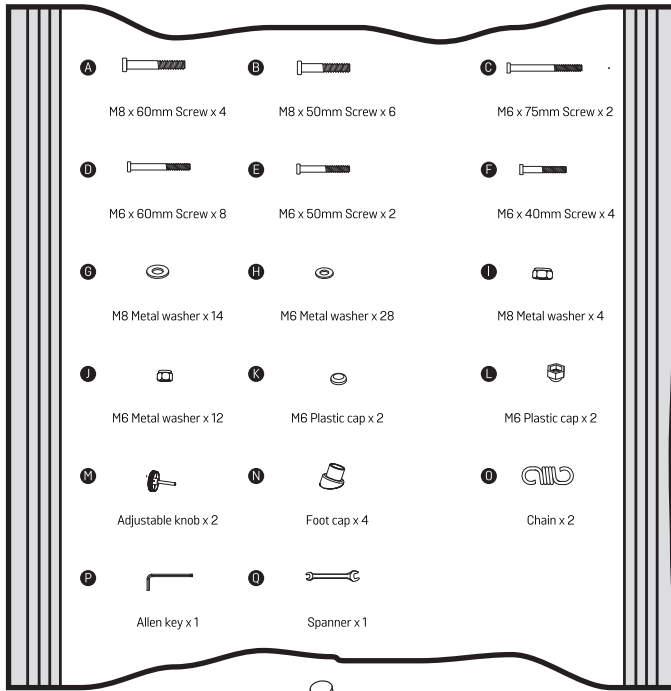


13 Seat cushion x 1

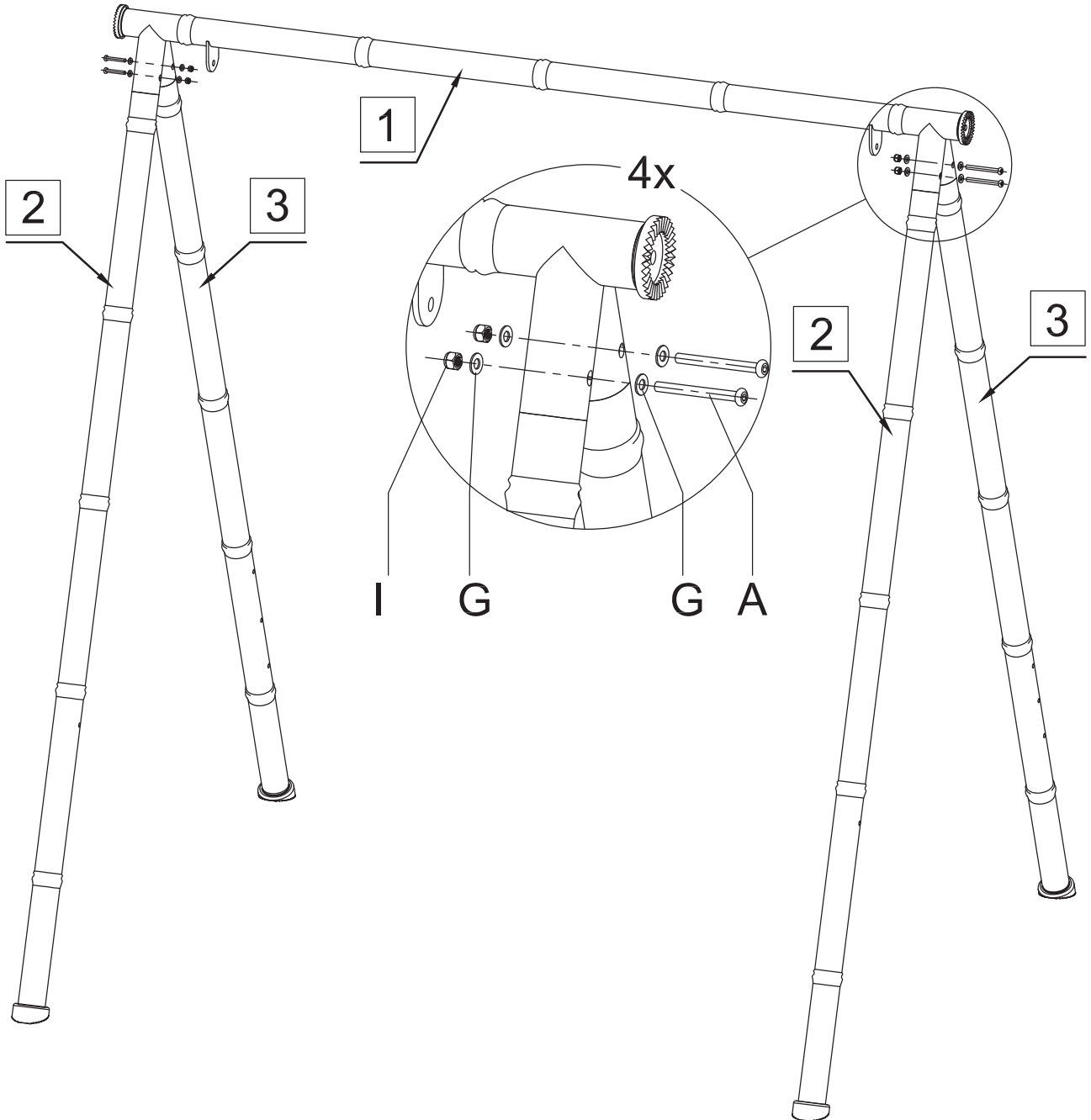
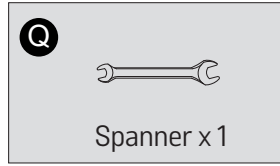
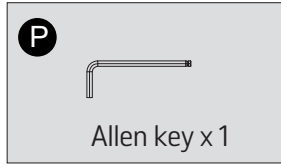
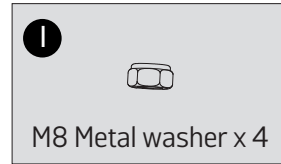
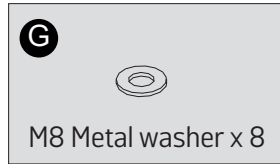
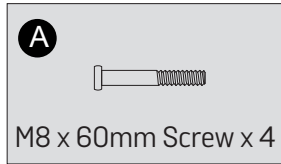


14 Safety belt x 2

1



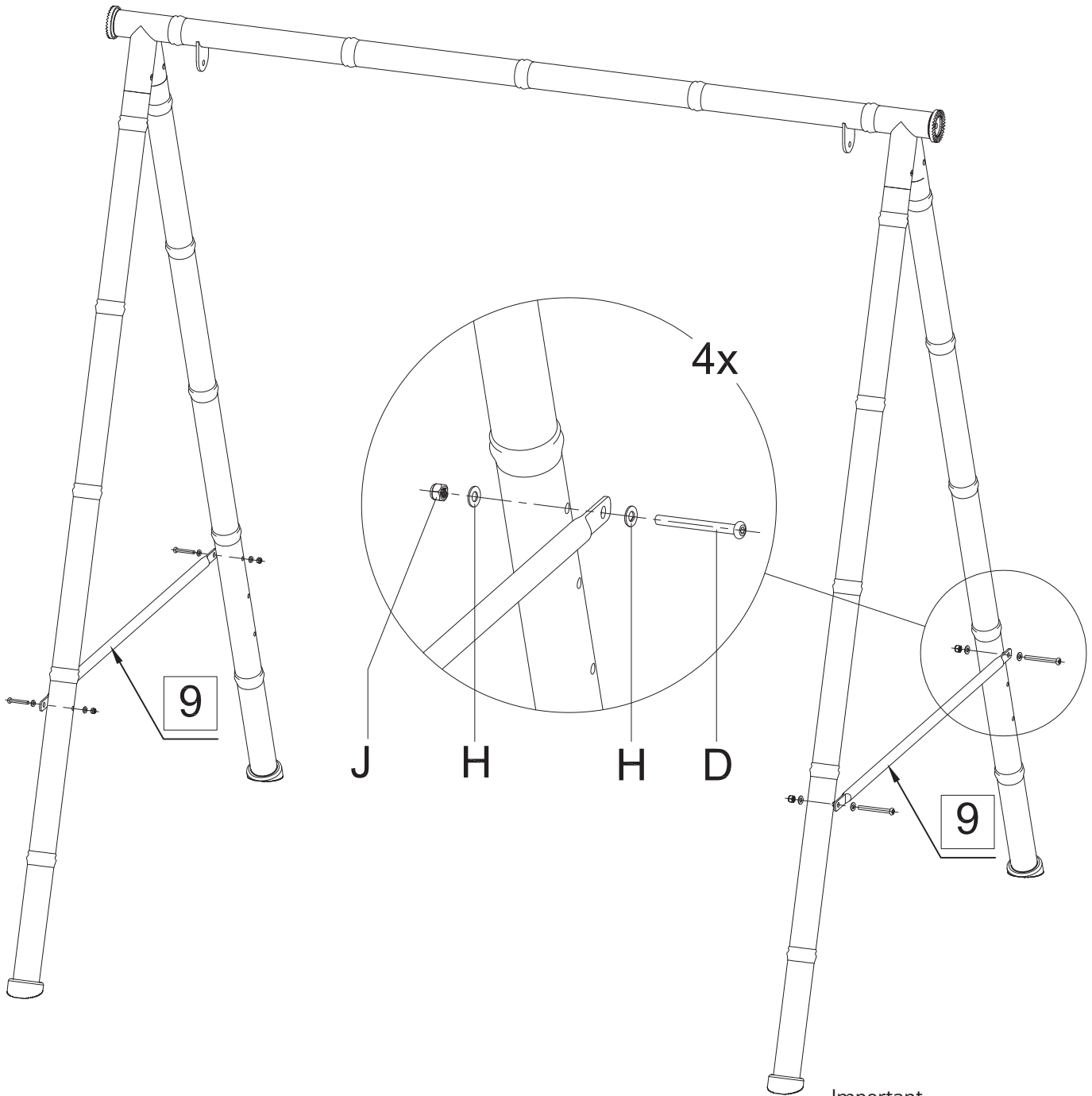
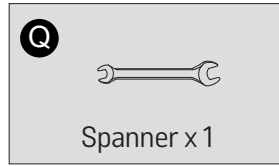
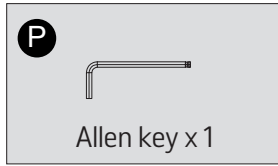
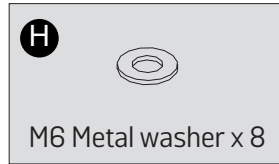
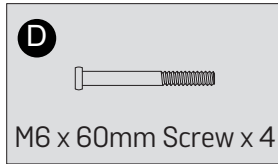
2



Important:
Do not fully tighten
all screws until
assembly is complete.



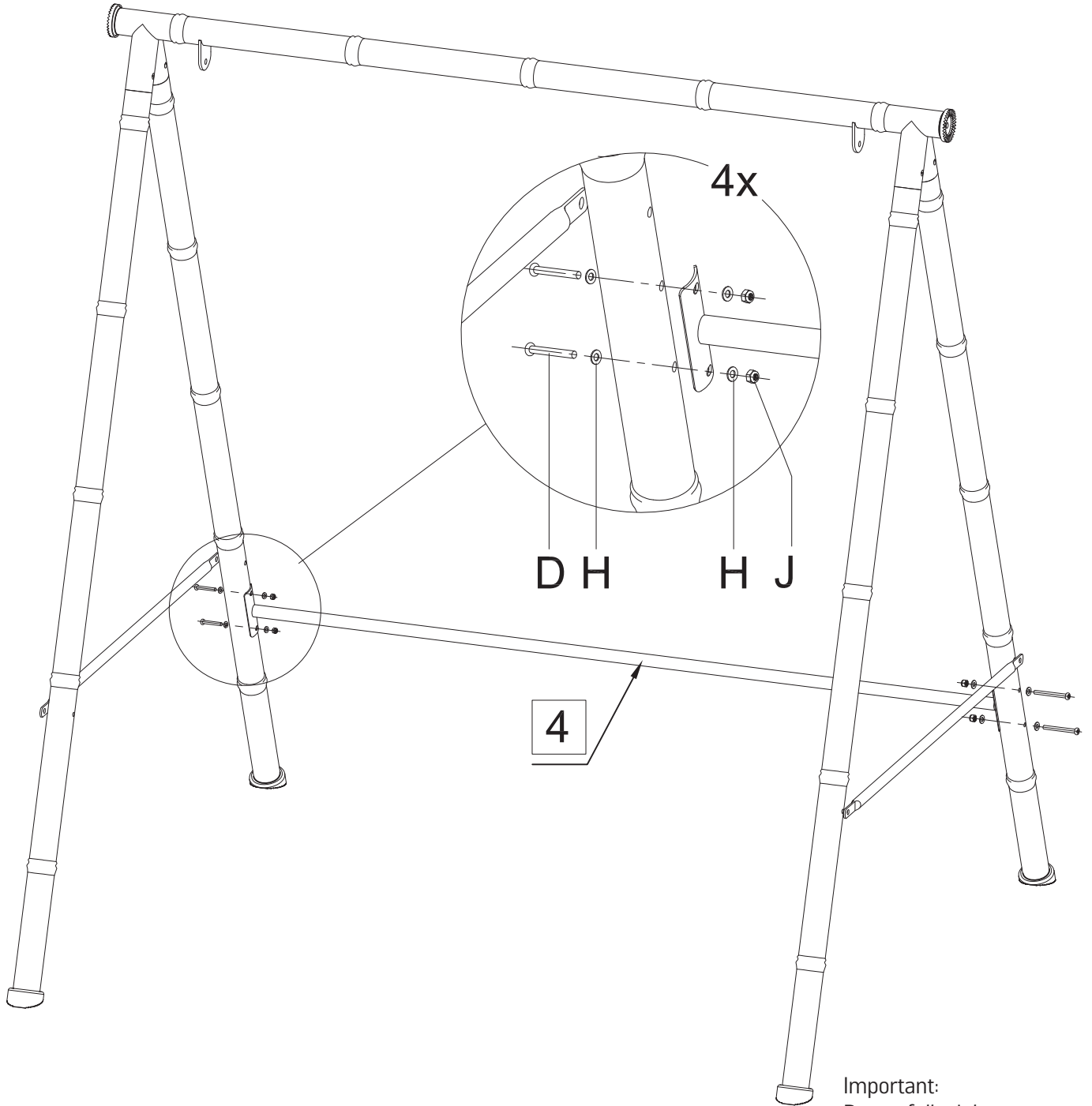
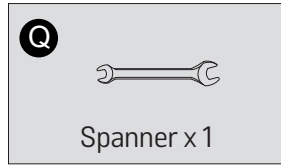
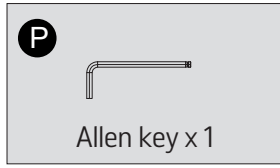
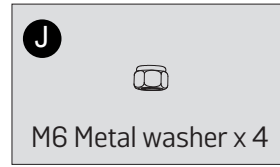
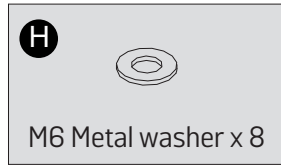
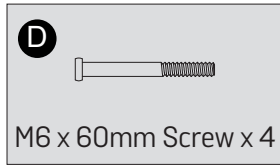
3



Important:
Do not fully tighten
all screws until
assembly is complete.



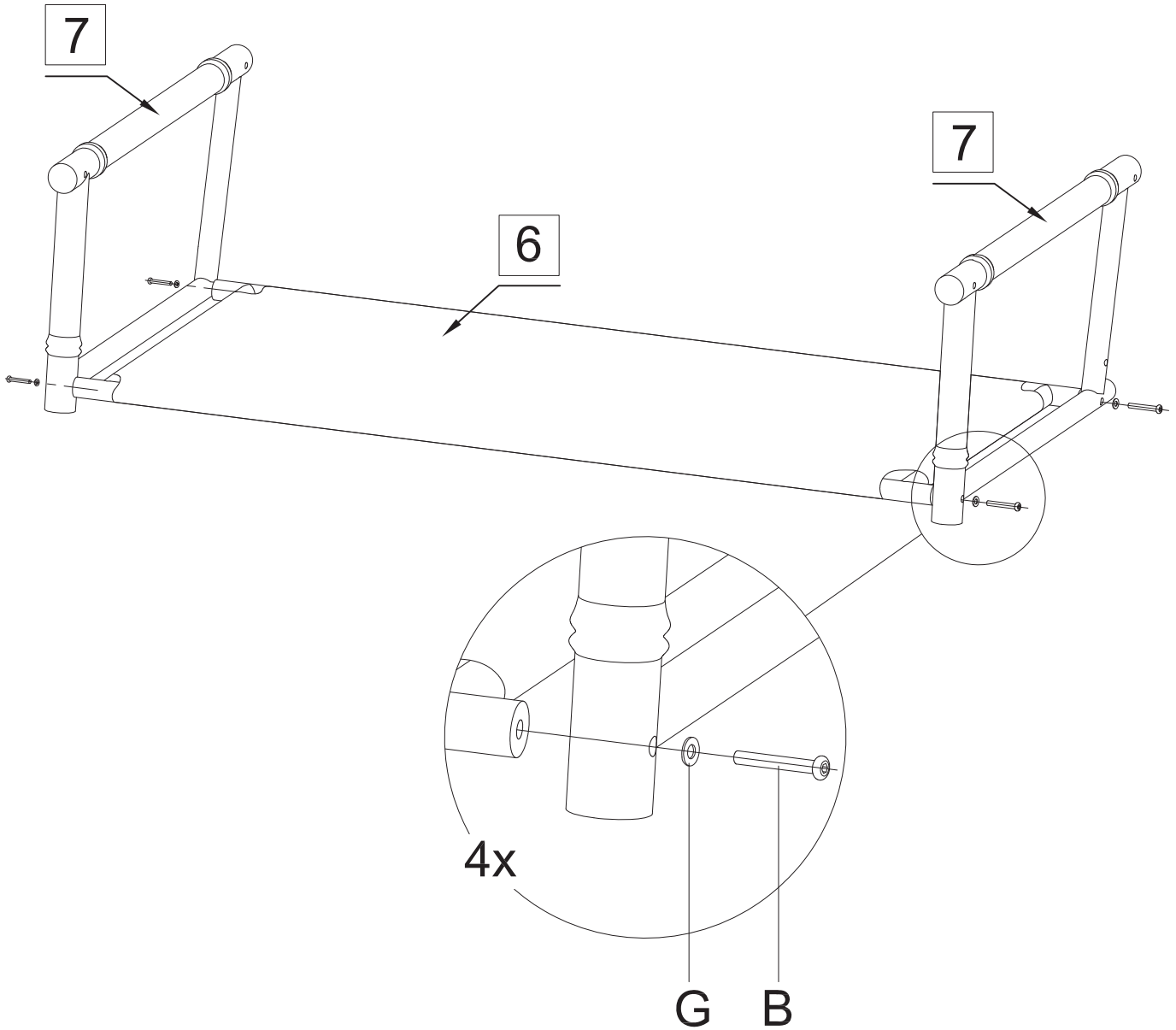
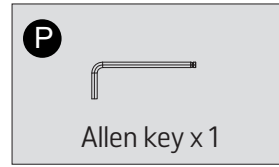
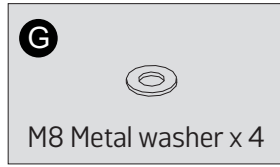
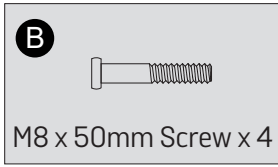
4



Important:
Do not fully tighten
all screws until
assembly is complete.



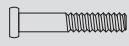
5

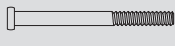



Important:
Do not fully tighten
all screws until
assembly is complete.





6

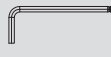
B

M8 x 50mm Screw x 2


C

M6 x 75mm Screw x 2

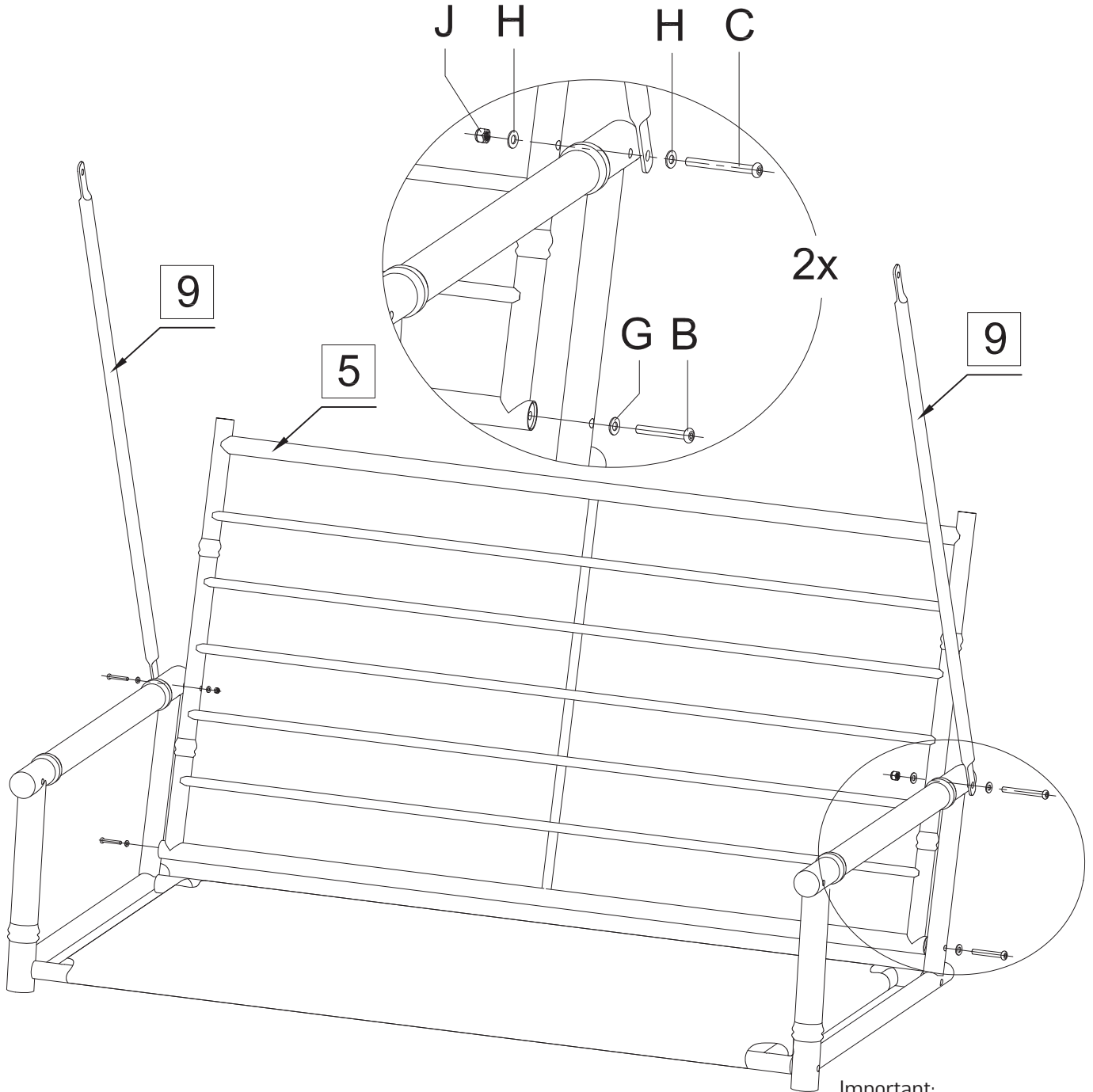
G

M8 Metal washer x 2

H

M6 Metal washer x 4

J

M6 Metal washer x 2

P

Allen key x 1

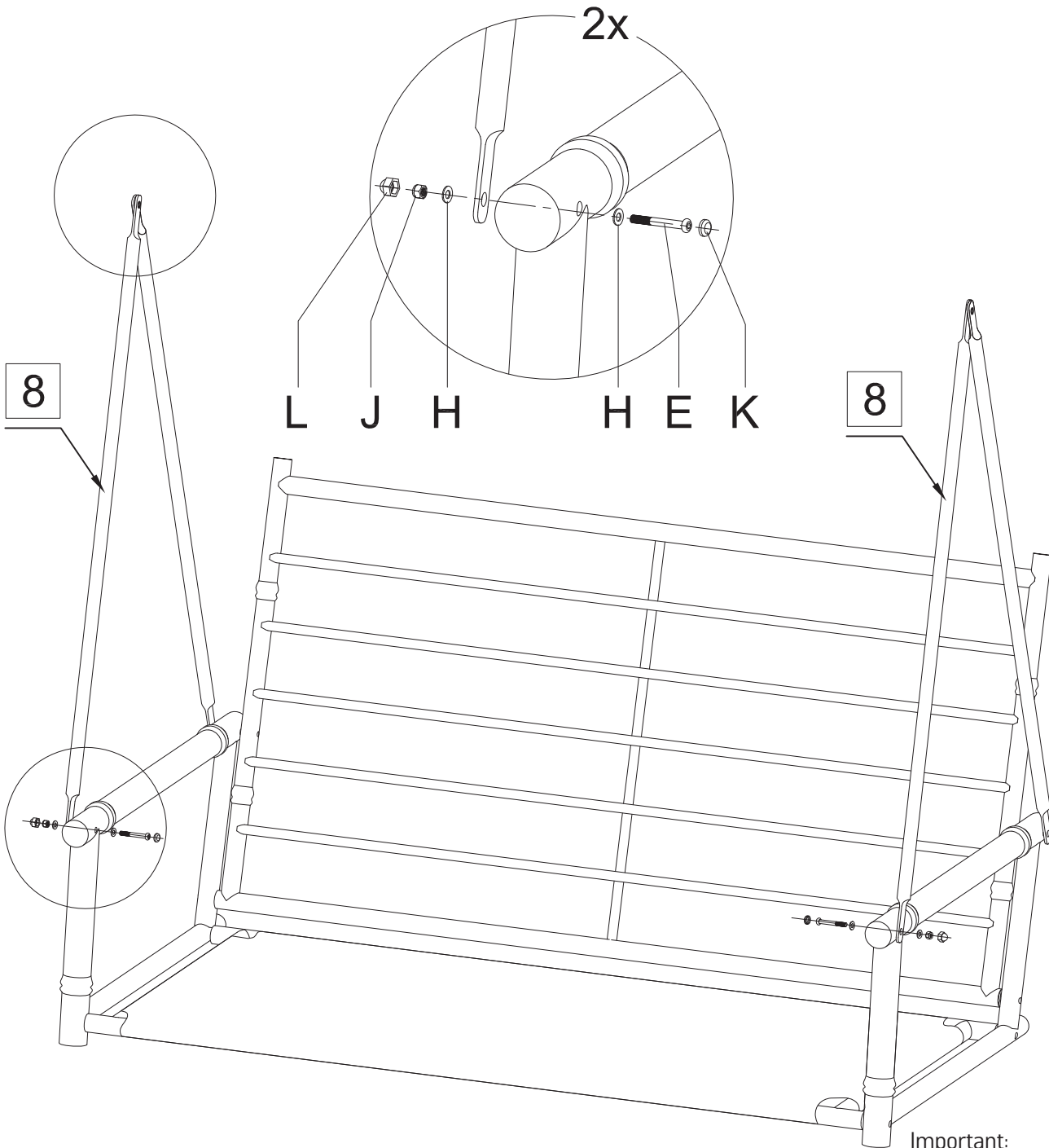
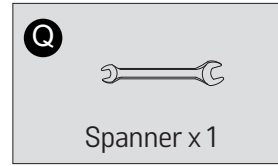
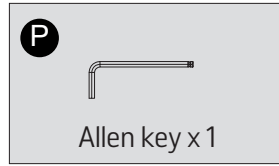
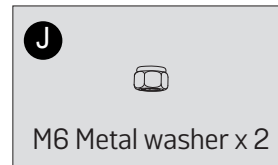
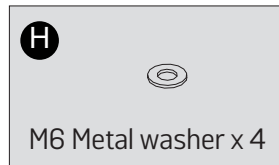
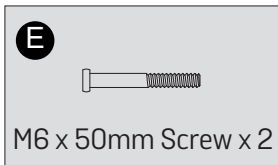
Q

Spanner x 1



Important:
Do not fully tighten
all screws until
assembly is complete.



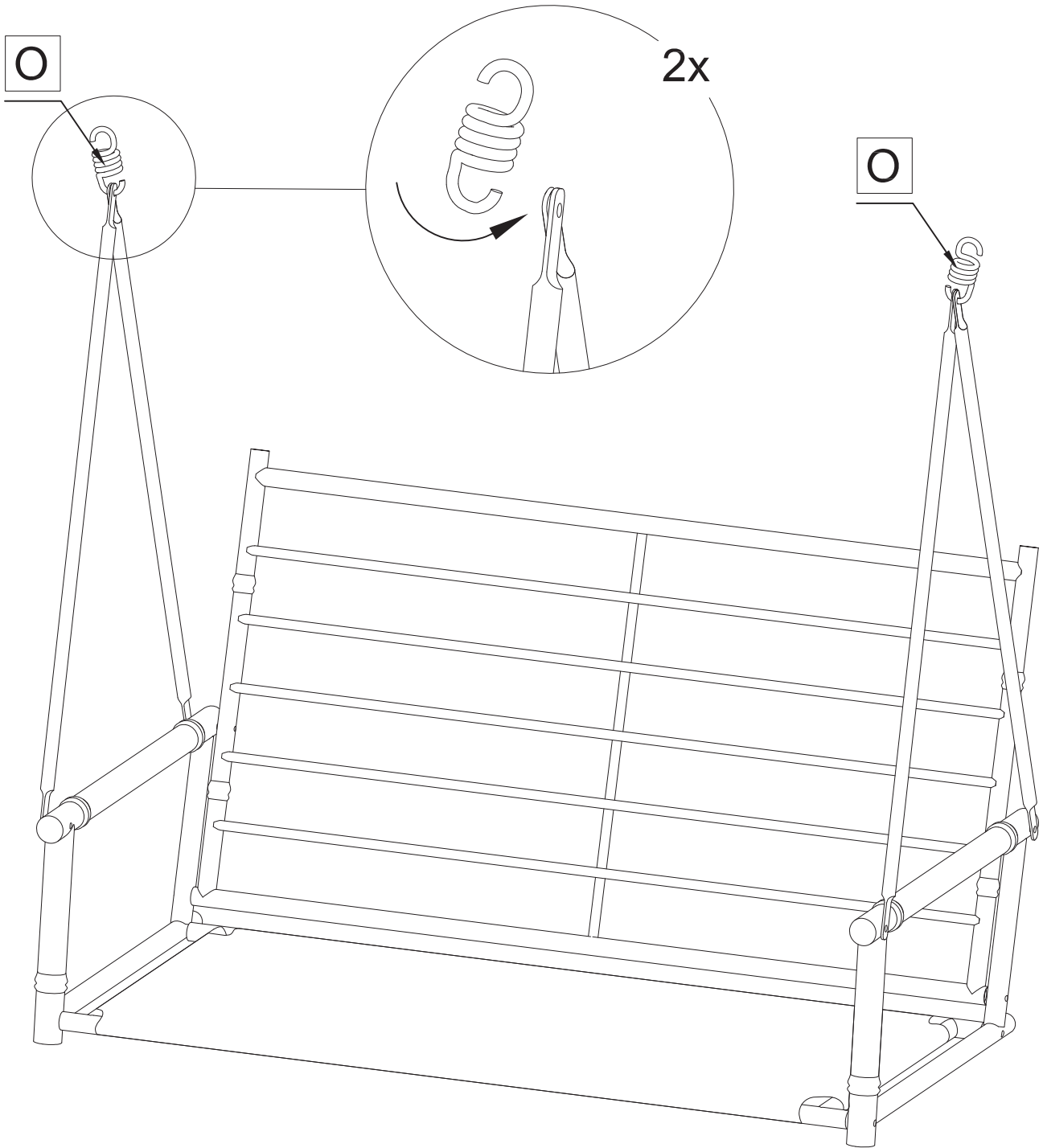
7



Important:
Do not fully tighten
all screws until
assembly is complete.

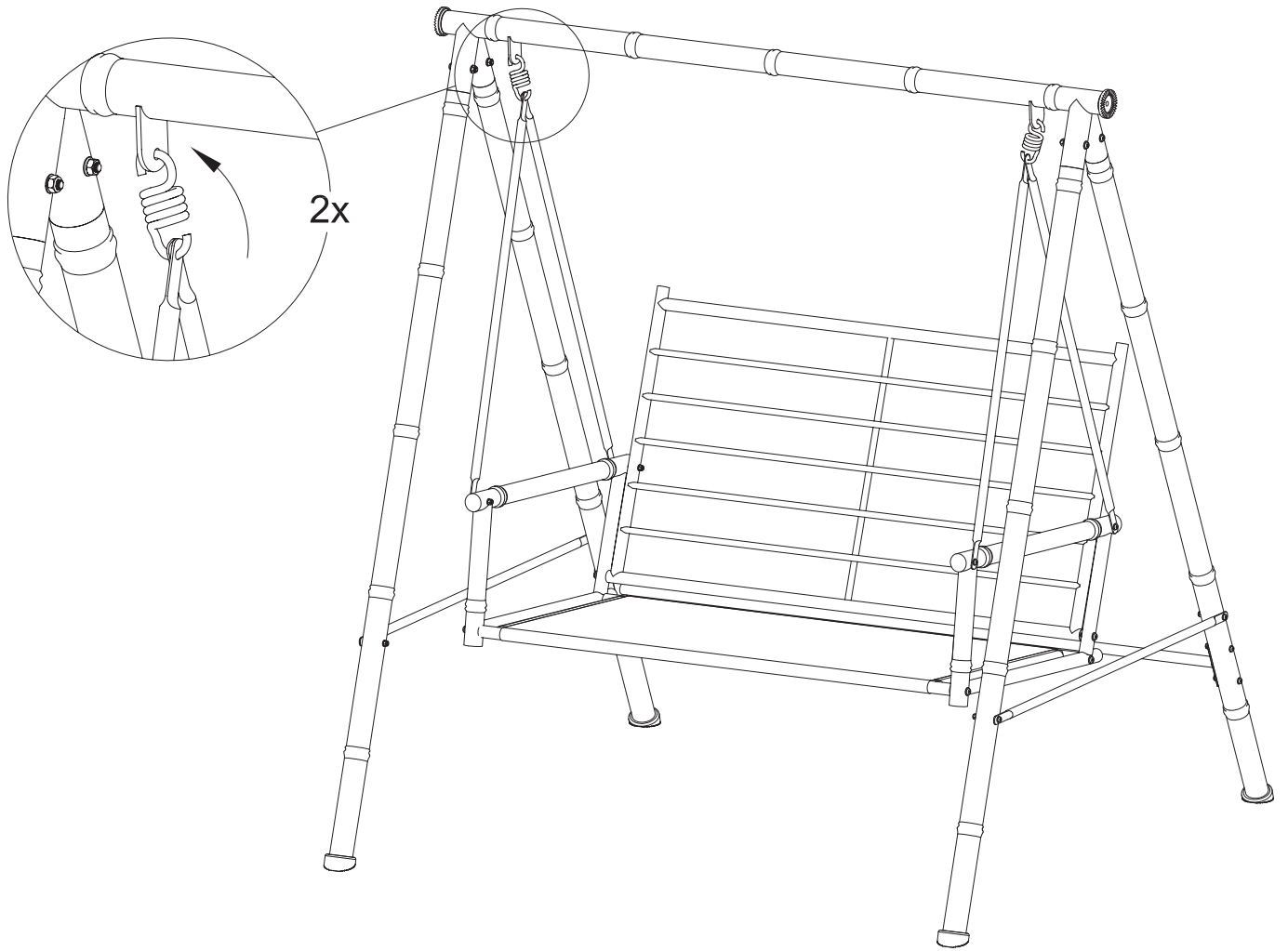
8

D 
Chain x 2

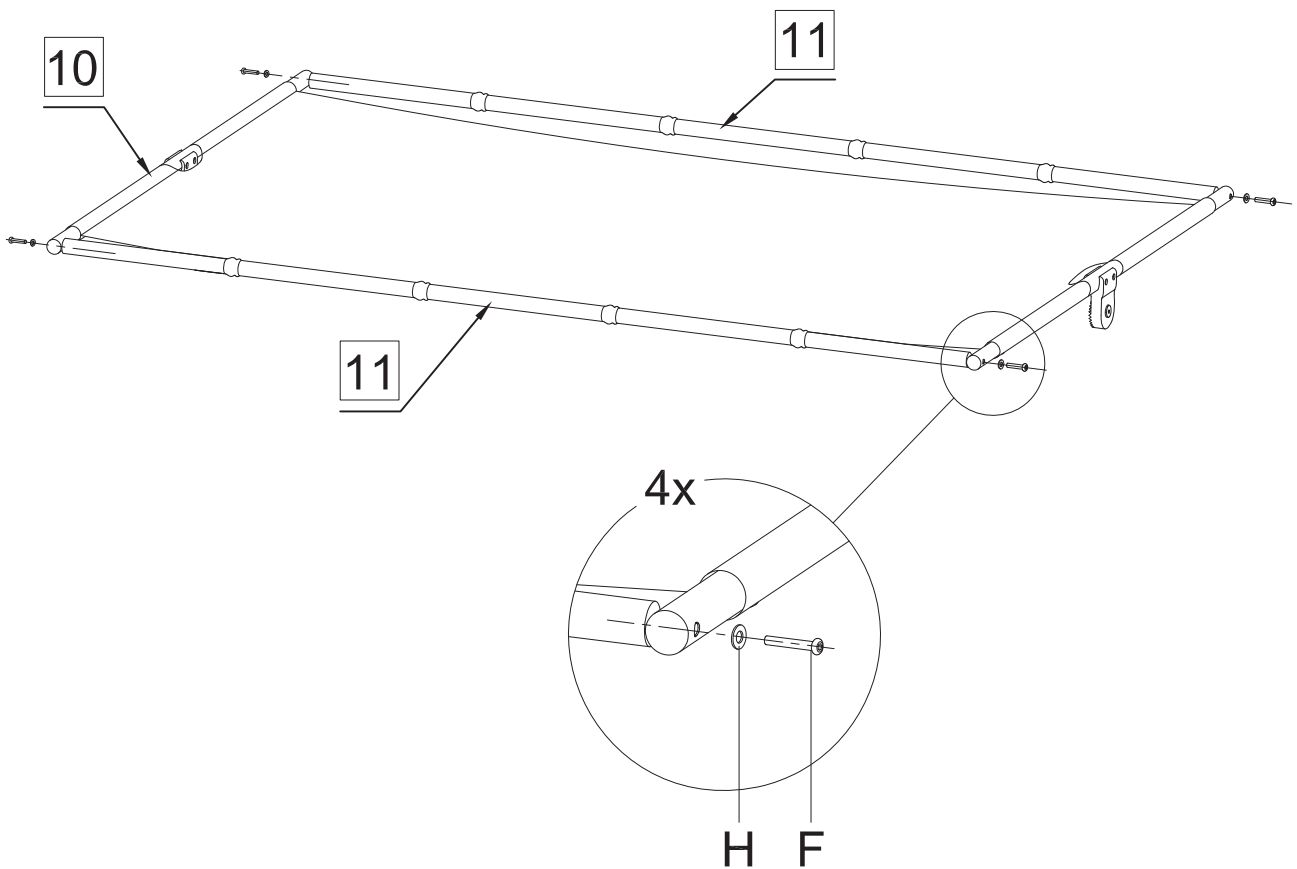
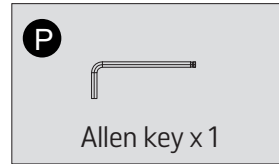
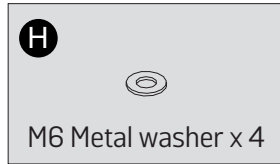
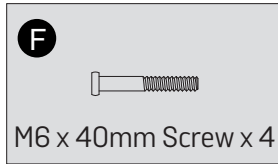


 Repeat
x2

9



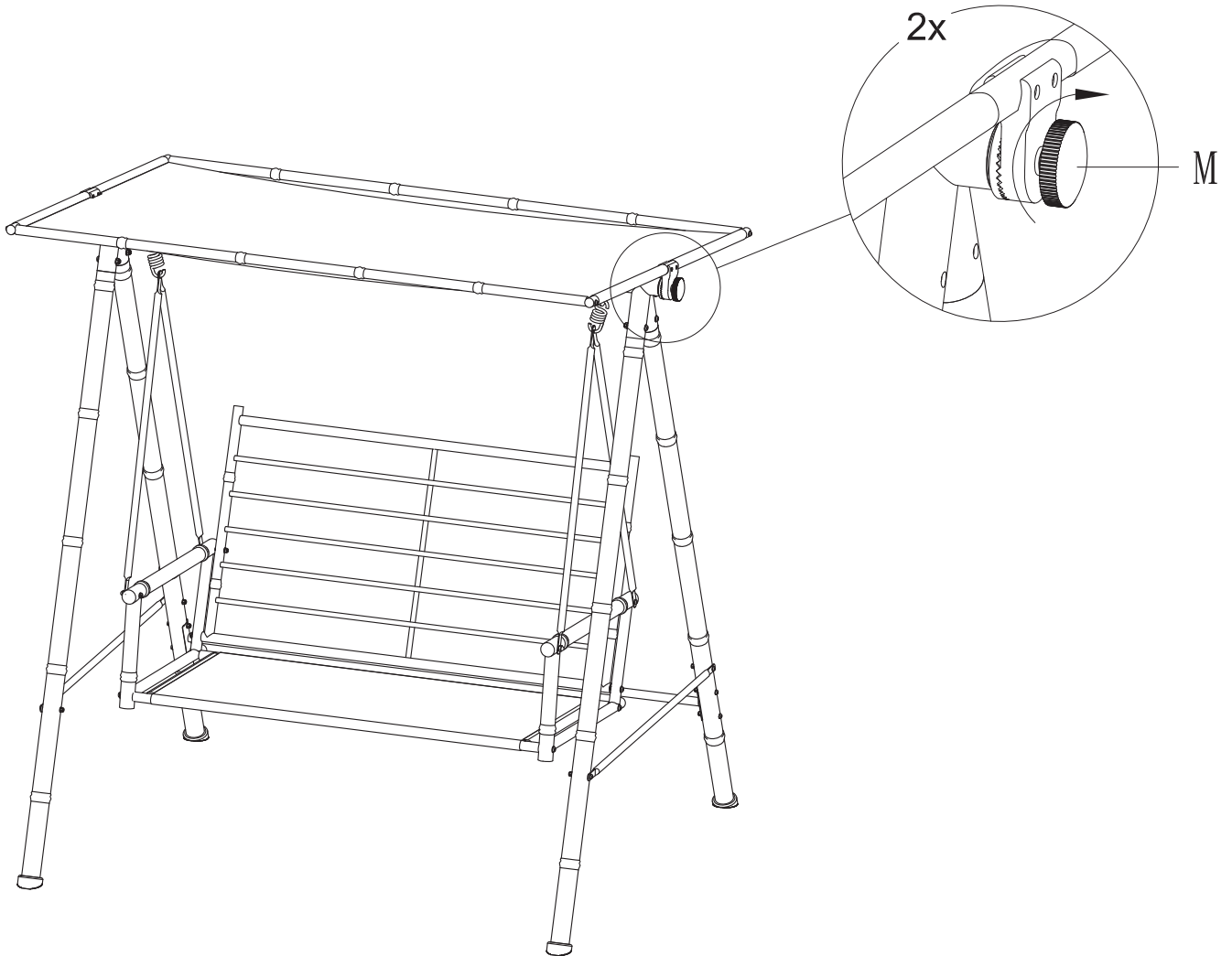
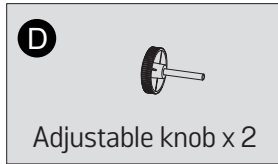
10



Important:
Do not fully tighten
all screws until
assembly is complete.



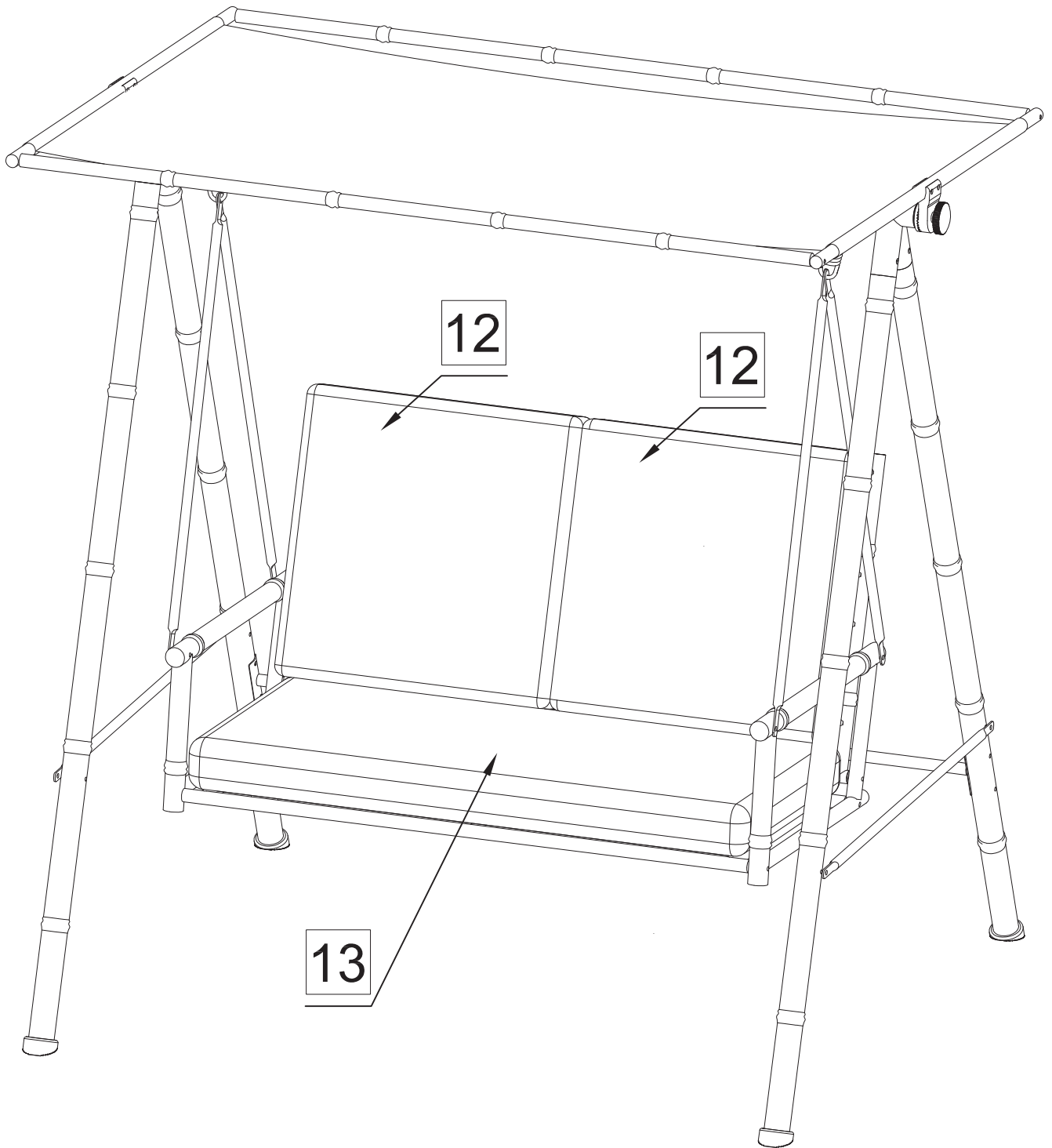
11



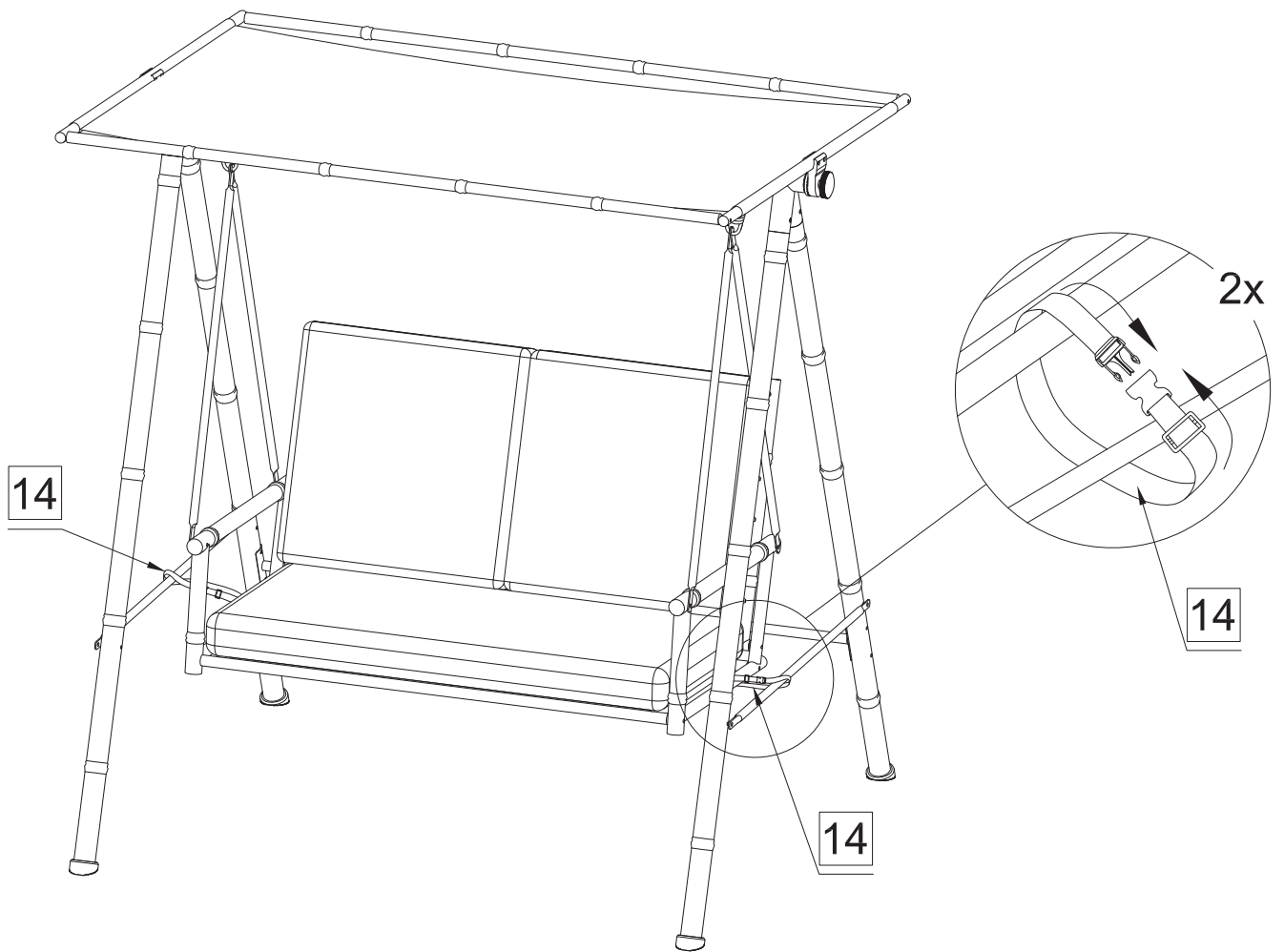
Important:
Do not fully tighten
all screws until
assembly is complete.



12



13



 Repeat
x2

