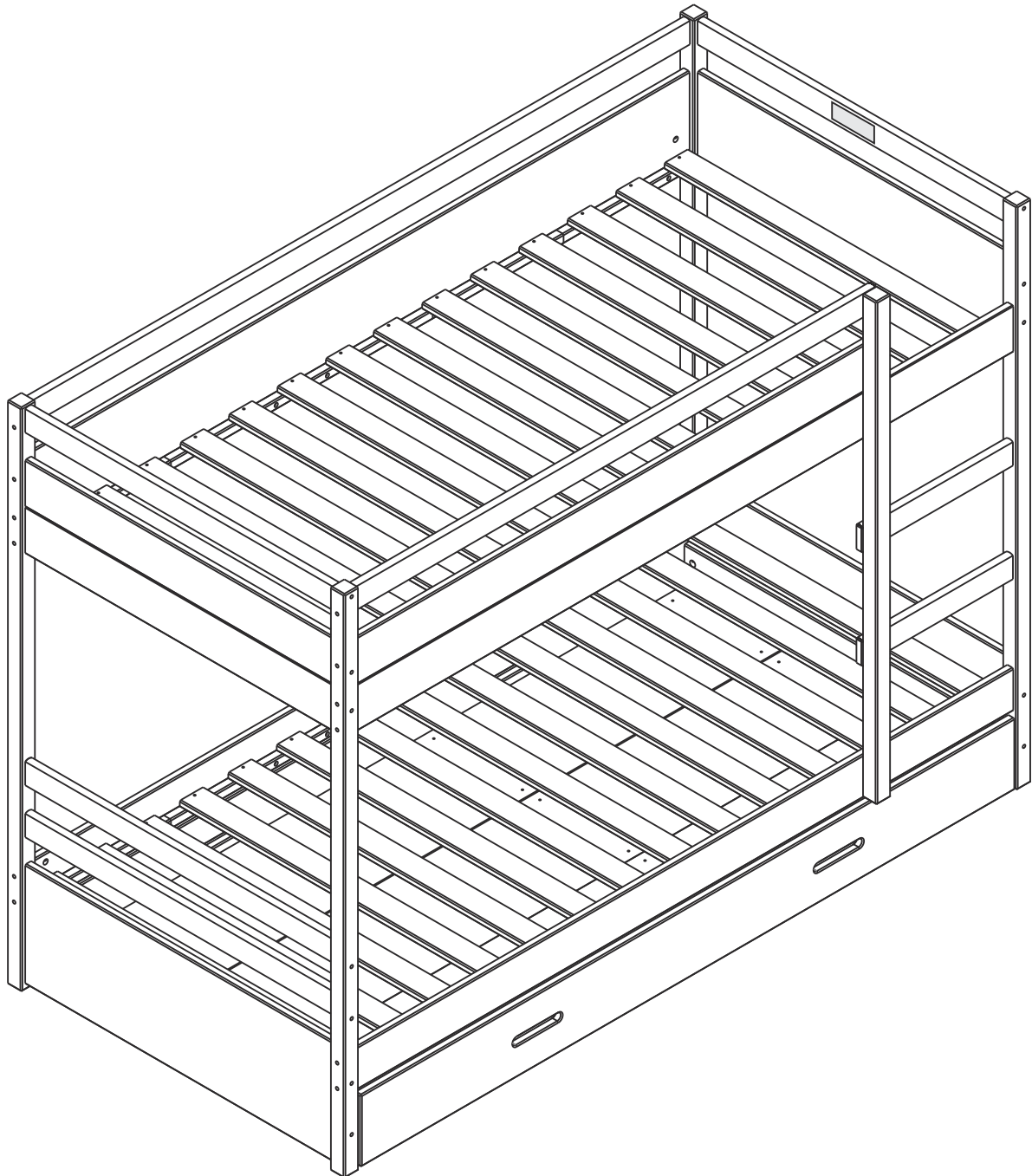




Rico

habitat



Spare Parts

-  www.argos-support.co.uk
-  Help@ClickSpares.co.uk
-  0370 112 1928

Customer Support

-  0345 640 2020

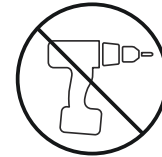


Safety and Care Advice

Product Details 3ft Pine 951/ 2197
3ft White 948/ 0188
3ft Blue 130/ 9418

IMPORTANT! KEEP IT FOR FUTURE REFERENCE: READ CAREFULLY.

- Keep children and animals away from the work area, small parts could choke if swallowed.
- Make sure you have enough space to layout the parts before starting.
- This product has been constructed to be used in the domestic environment only and not for commercial purpose.
- Assemble the item as close to its final position (in the same room) as possible.
- Assemble on a soft level surface to avoid damaging the unit or your floor.



- We do not recommend the use of power drill/drivers for inserting screws as this could damage the unit. Only use hand screwdrivers.
- Parts of the assembly will be easier with 2 people.
- Dispose of all packaging carefully and responsibly.

Care and maintenance

- Use a dry cloth to clean the product, furniture polish is not recommended.
- From time to time check that there are no loose screws, nuts or bolts. If there are please re-tighten.
- This product should not be discarded with household waste. Take to your local authority waste disposal centre.

Additional Guidance

- Assemble all parts and bolts loosely during assembly, only once the product is complete should you fully tightened the bolts.
- Regularly check and ensure that all bolts and fittings are tightened properly.
- Maximum user weight 100kg
- This product is compliant BS EN 747



Safety and Care Advice

Product Details 3ft Pine 951/ 2197
3ft White 948/ 0188
3ft Blue 130/ 9418

IMPORTANT! KEEP IT FOR FUTURE REFERENCE: READ CAREFULLY.

Warnings for the bed

Current legislation requires that the bunk bed must be fitted with 4 safety-rails and a ladder or platform for the upper bunk bed. The bunk bed meets the European BS EN 747-1: 2012 + A1: 2015. standards for security and durability.

Mattress:

This bed is designed to use a mattress size 190 cm long and 91 cm wide.

The total thickness must not exceed 15 cm. The mattress top must not pass the marking on the ladder.

Warning: "Bunk beds and high beds can present a serious risk of injury from strangulation if not used correctly. Never attach or hang items to any part of the bunk bed that are not designed to be used with the bed, for example, but not limited to ropes, strings, cords, hooks, belts and bags";

WARNING "Children can become trapped between the bed and the wall, a roof pitch the ceiling adjoining pieces of furniture (e.g. cupboards) and the like. To avoid risk of serious injury the distance between the top safety barrier and the adjoining structure shall not exceed 75 mm or shall be more than 230 mm";

WARNING:

High beds and the upper bed of bunk beds are not suitable for children under six years due to the risk of injury from falls. Do not use the bed if any structural part is broken or missing. Be aware that children can strangle in items such as ropes, strings, cords, harnesses and belts attached to or hung on a bunk bed/high bed.

It is recommended that you always follow the manufacturer's instructions to assemble this product.

It is necessary to frequently ventilate the room in order to keep the humidity low and to prevent mold in and around the bed.

MAINTENANCE INSTRUCTIONS:

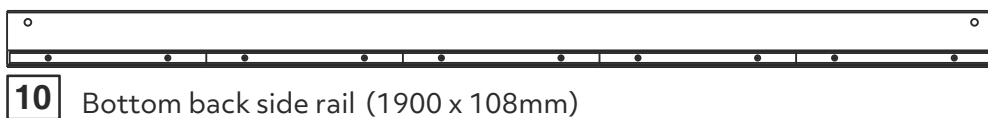
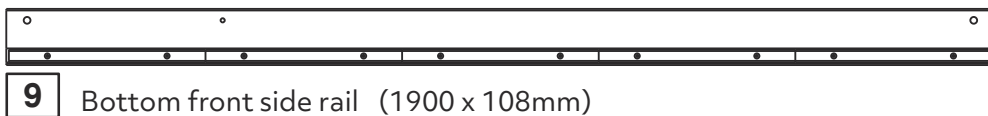
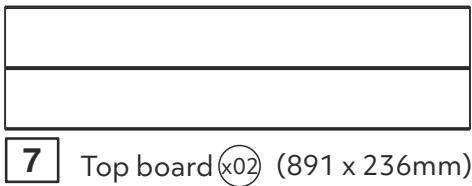
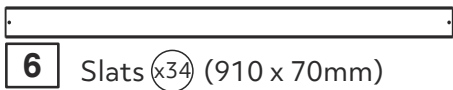
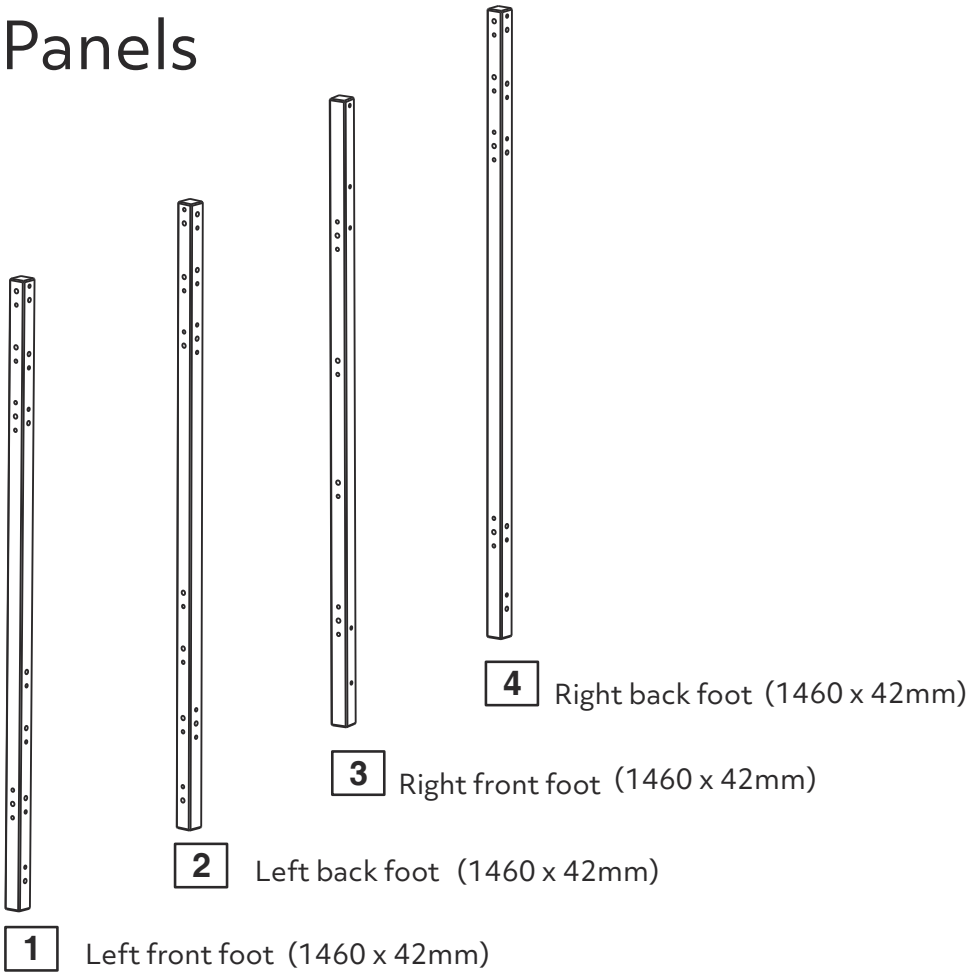
All assembly fastenings should always be tightened properly and that care should be taken that no fittings are loose.

CLEANING:

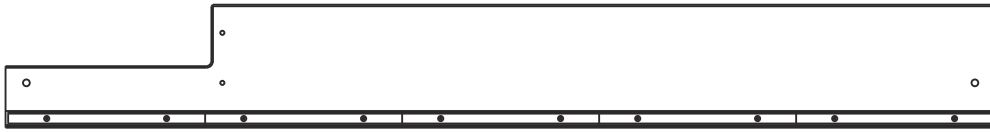
LACQUERED: Wooden, lacquered and painted as well as laminated surfaces should be wiped over with a cloth and a mild soap.

OIL: Oiled surfaces can be cleaned with soapy water, e.g. brown soap. Wipe with a clean cloth. To maintain the natural life in the furniture which is provided by the oil treatment, we recommend an oil aftercare of the furniture 1-2 times a year. The colourless natural oil for maintenance of oil-treated furniture is available at your local furniture store.

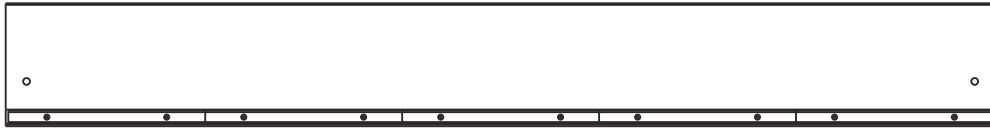
Panels



Panels



11 Top front side rail (1900 x 236mm)



12 Top back side rail (1900 x 236mm)



13 Short guard rail (1505 x 65mm)



14 Long guard rail (1900 x 65mm)



15 Step (x2) (435 x 65mm)



16 Ladder side rail (1258 x 42mm)



17 Narrow bar (x3) (891 x 65mm)



18 Drawer Front / Back (x2) (1886 x 174mm)

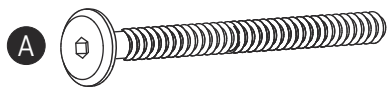


19 Drawer Side (x2) (913 x 138mm)



20 Drawer Base (x3) (1842 x 303mm)

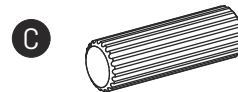
Fittings



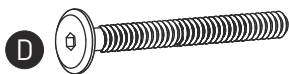
A
1/4 x 90mm Bolt x 8
Cab. 17 9205



B
1/4 Barrel nut x 8
11302



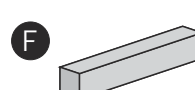
C
Wooden dowel x 44
10 x 40mm 10004



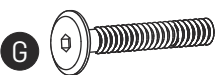
D
7 x 80mm Bolt x 40
Cab. 17 9114



E
4 x 35mm Screw x 68
9013



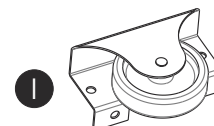
F
70 x 17 x 17mm Spacer x 2
11513



G
7 x 50mm Bolt x 6
Cab. 17 9110



H
Hex key x 2



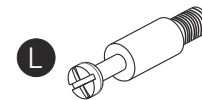
I
Wheel x 4
11231



J
3.5 x 16mm Screw x 40
9002

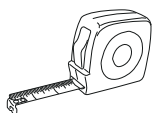


K
Locking nut x 8
4102

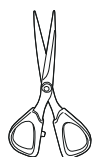


L
Metal dowel x 8
4002

Tools required



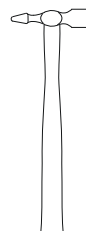
Ruler/tape
measure



Scissors

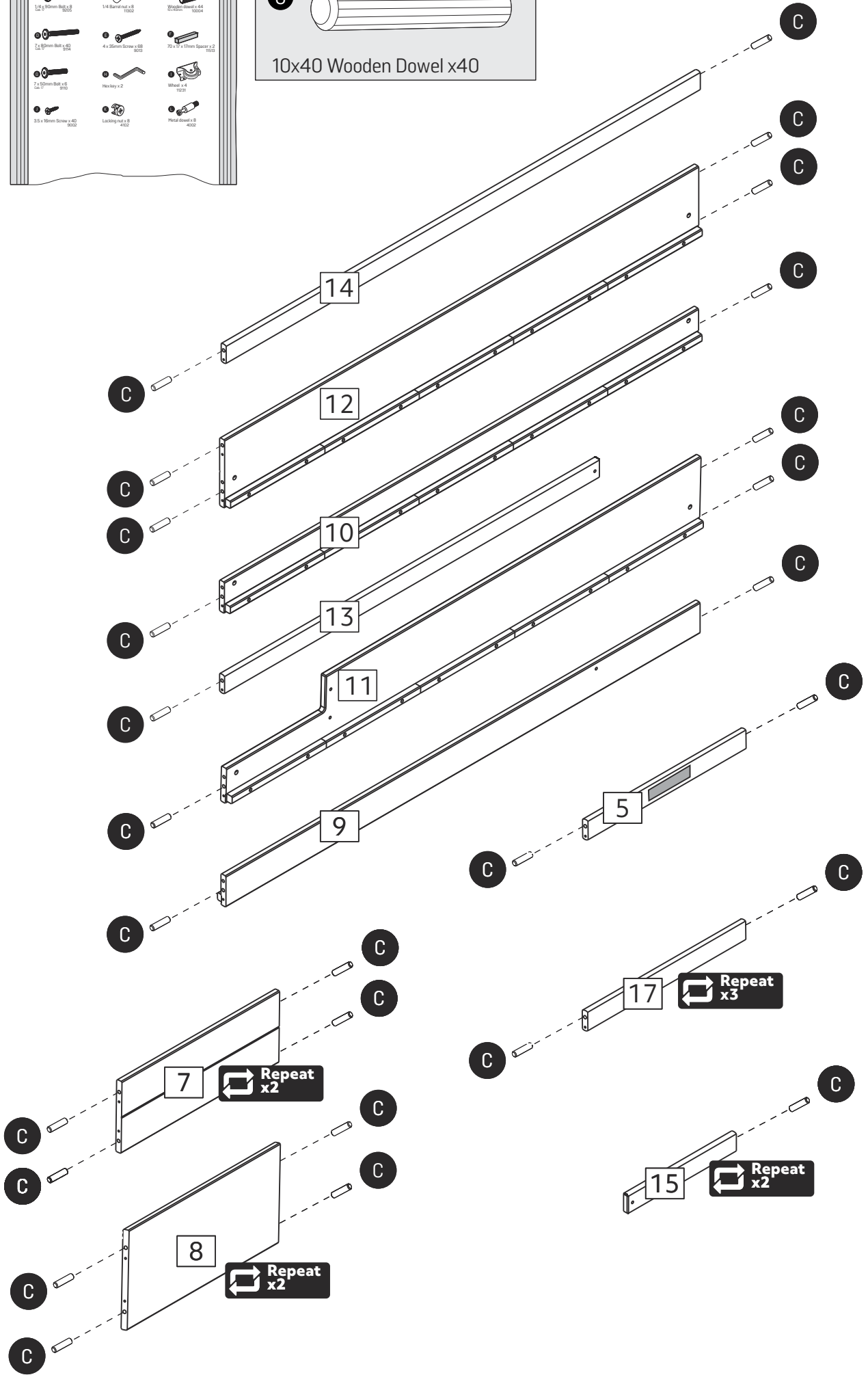
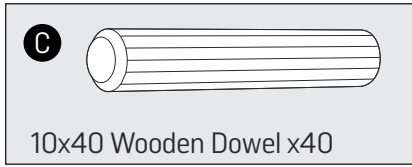
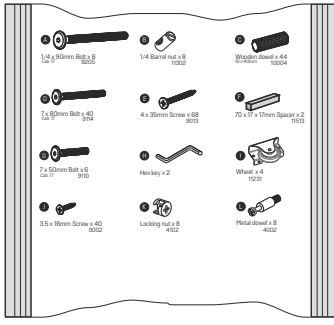


Cross-head screwdriver
(small & medium)

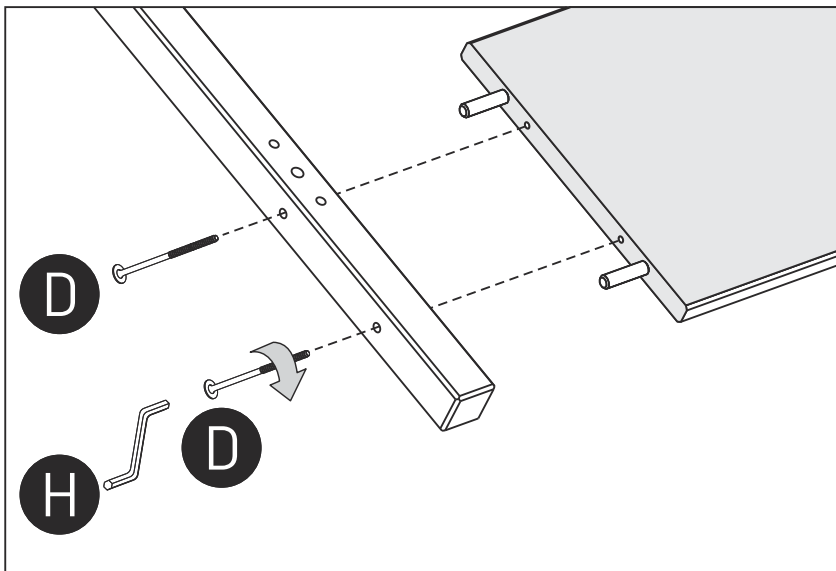
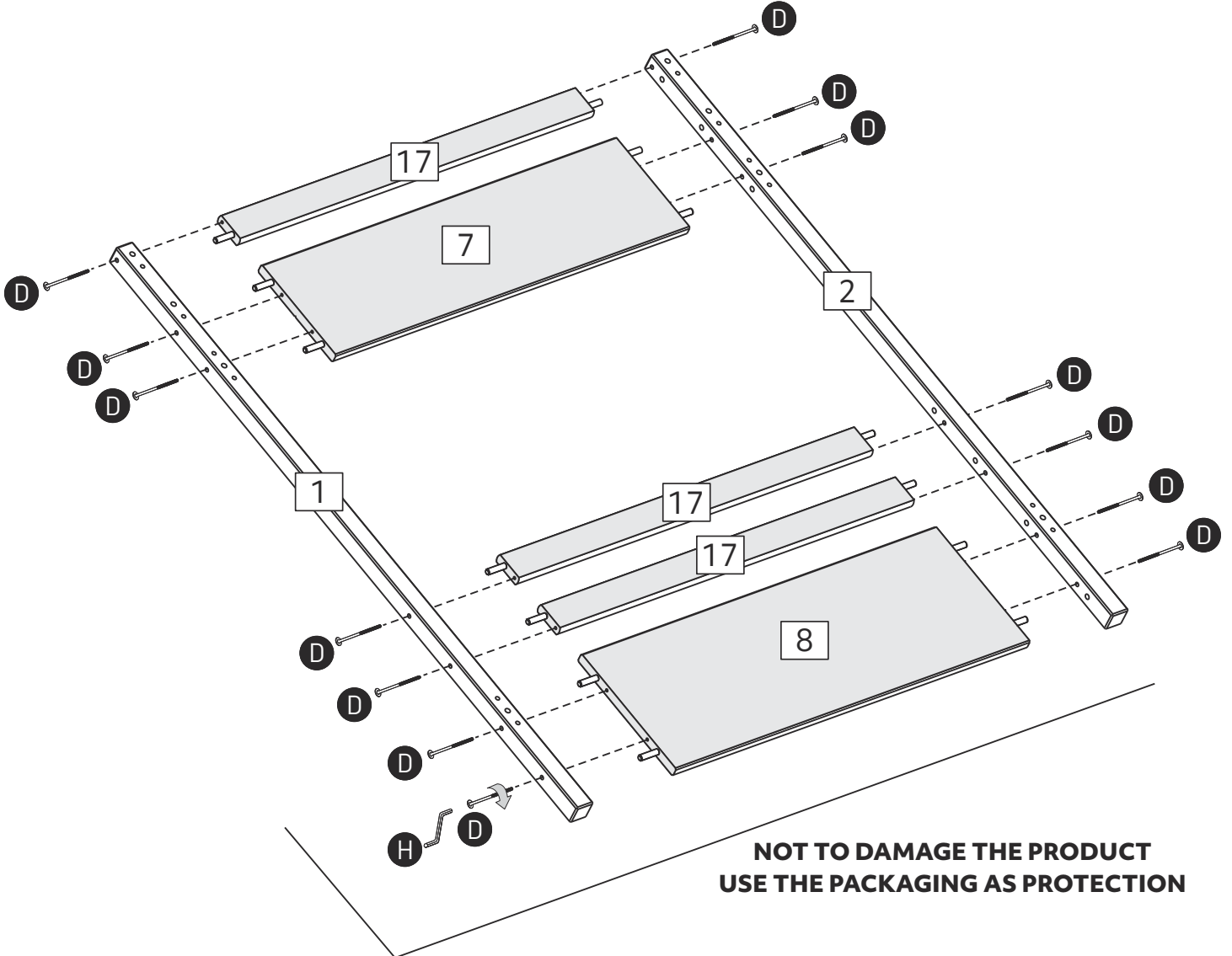
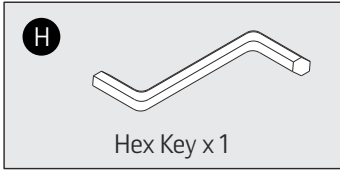
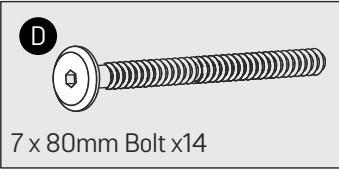


Small
hammer

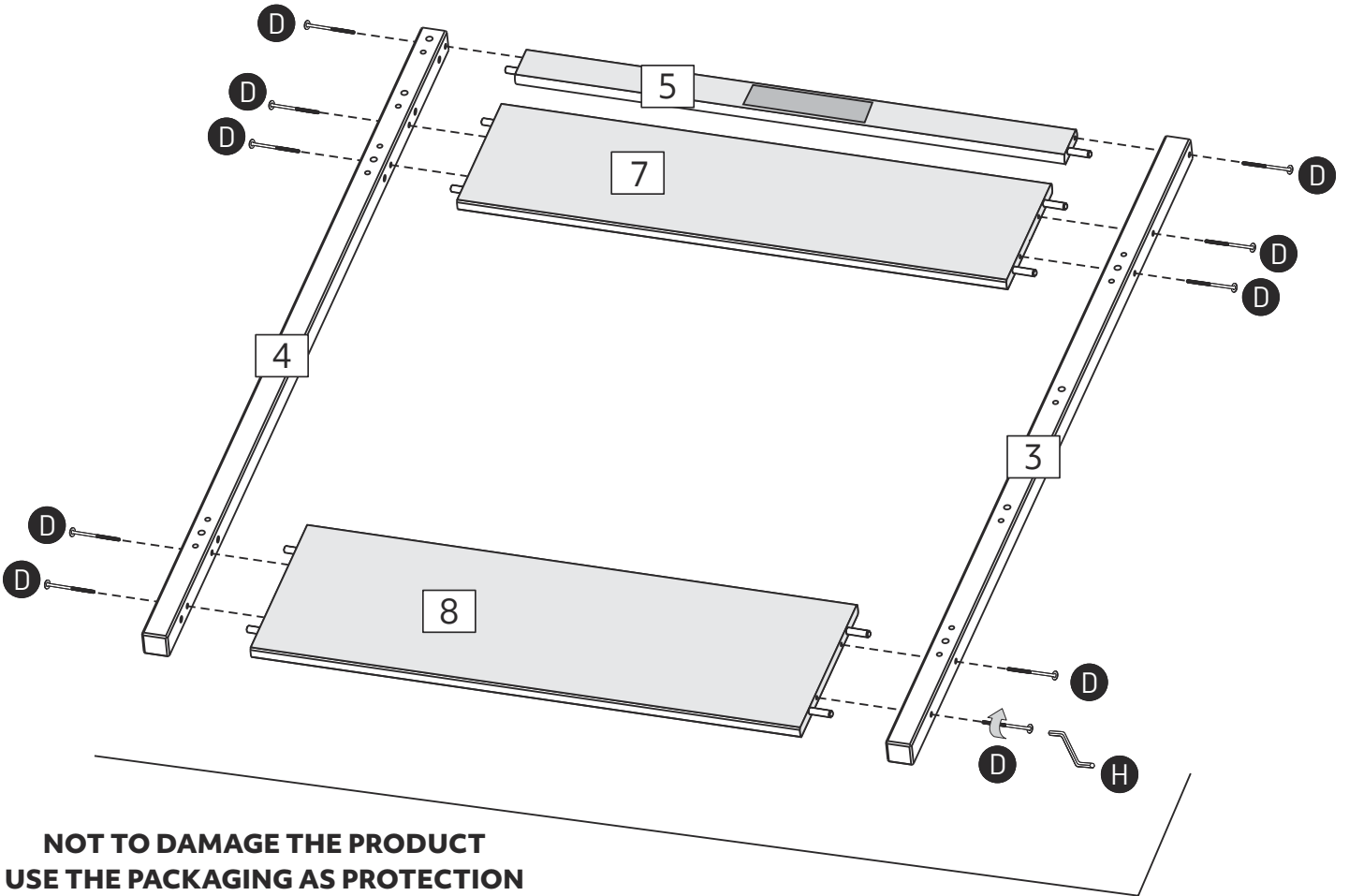
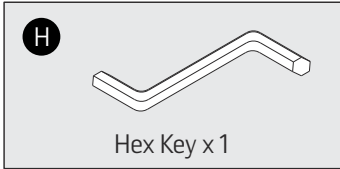
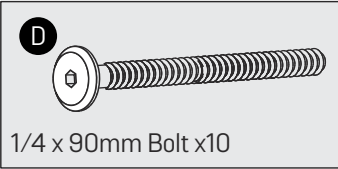
1



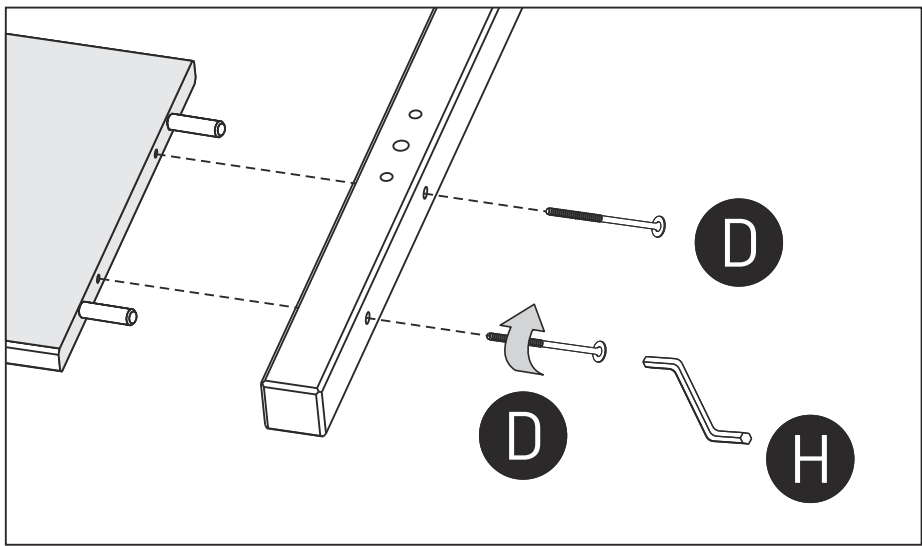
2



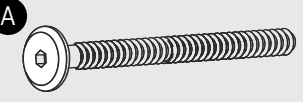

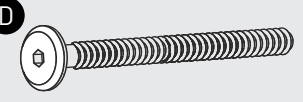
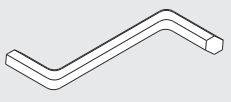
3




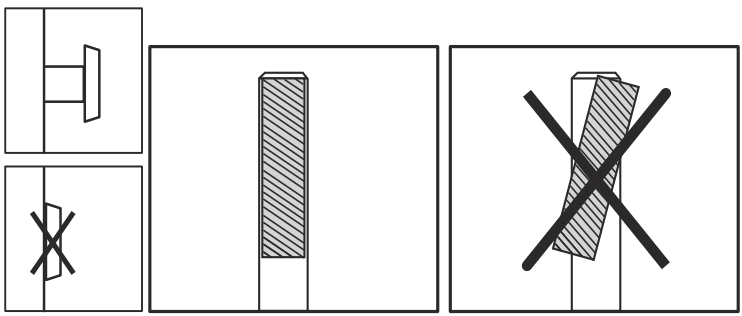
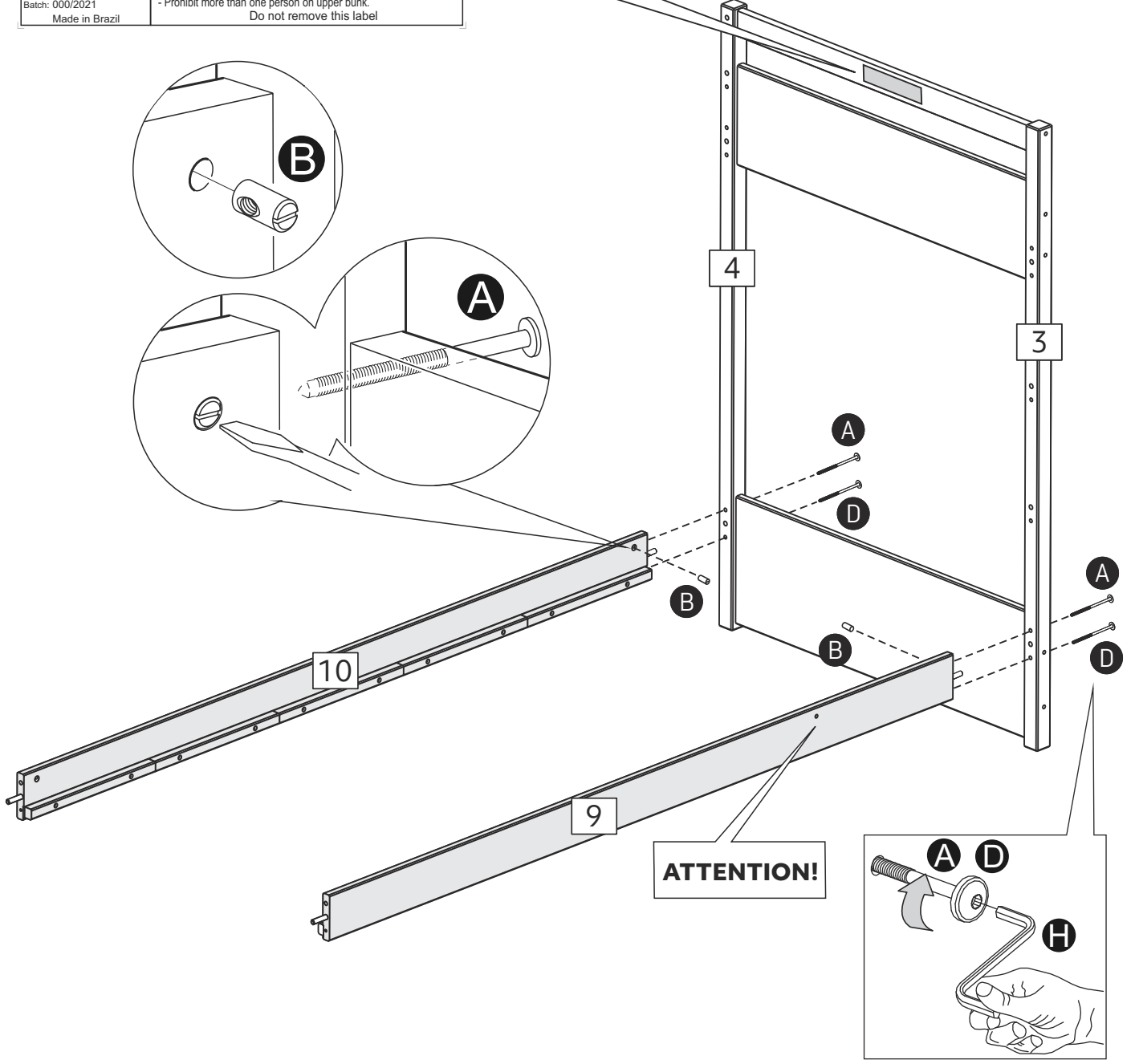
**NOT TO DAMAGE THE PRODUCT
USE THE PACKAGING AS PROTECTION**



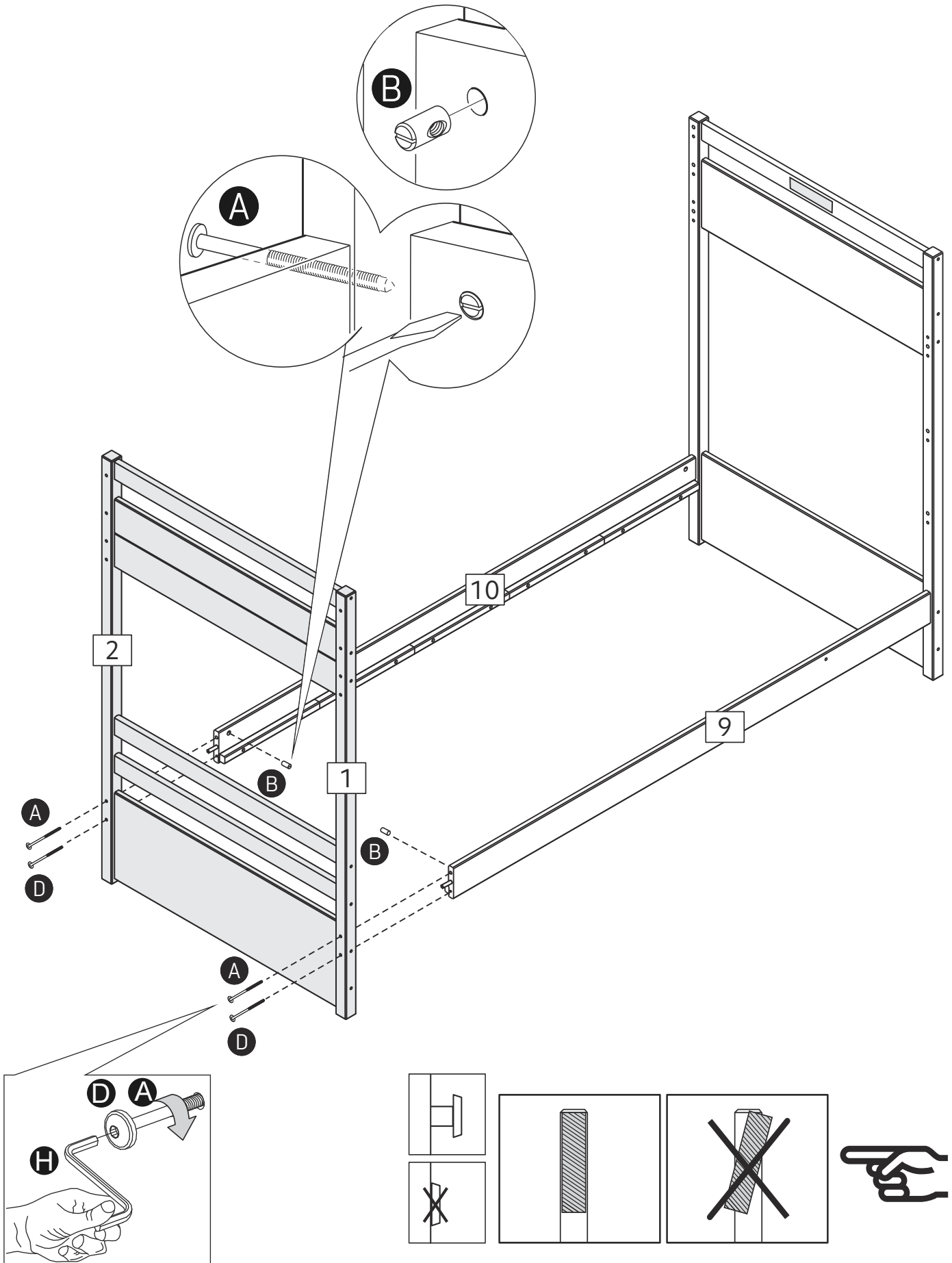
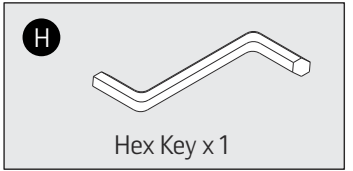
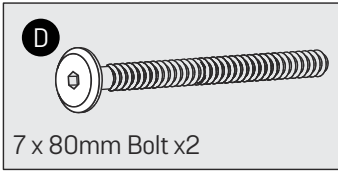
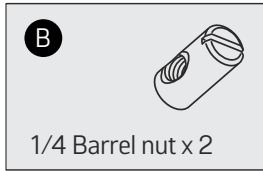
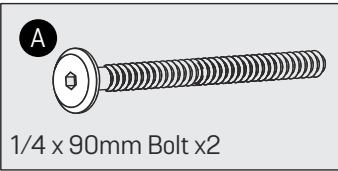
4

- A**

 1/4 x 90mm Bolt x2
- B**

 1/4 Barrel nut x 2
- D**

 7 x 80mm Bolt x2
- H**

 Hex Key x 1

 6+ <small>EN 747+A1:2015</small>	<p>Warning To help prevent serious or fatal injuries from entrapment or falls:</p> <p>Strangulation Hazard: Never attach or hang items to any part of the bunk bed that are not designed for use with this bed; for example, but not limited to, belts, bags, ropes and clothing.</p> <ul style="list-style-type: none"> - Never allow a child of under 6 years on upper bunk. - Use ladder for entering and leaving upper bunk. - Prohibit more than one person on upper bunk. <p style="text-align: center;">Do not remove this label</p>
Product: Rico Bunk Bed Distributed by: ARGOS LTD Batch: 000/2021 Made in Brazil	



5



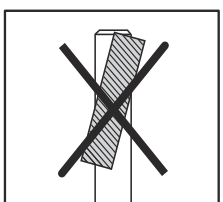
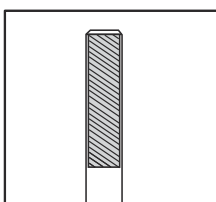
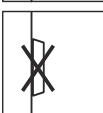
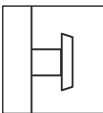
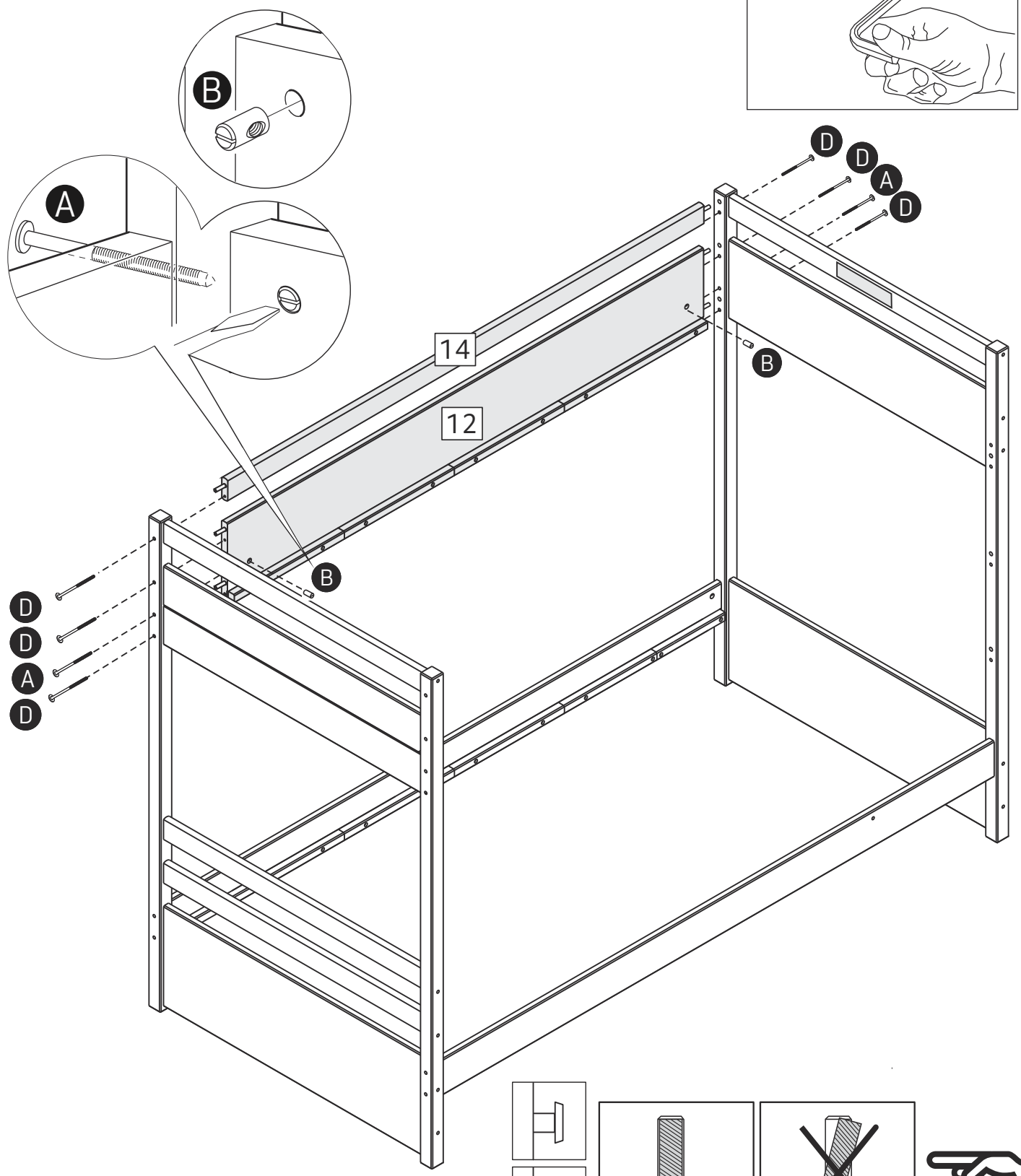
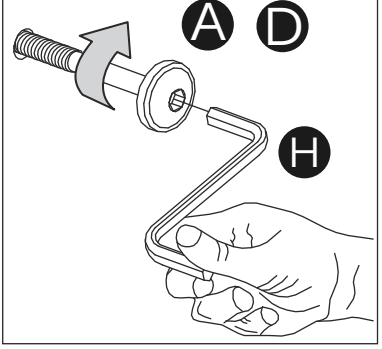
6

A
1/4 x 90mm Bolt x2

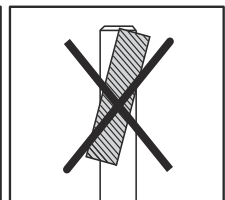
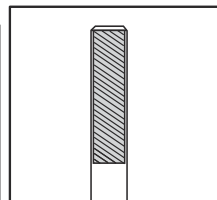
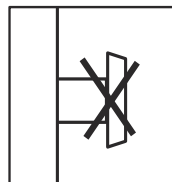
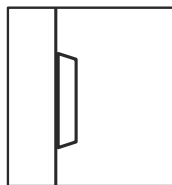
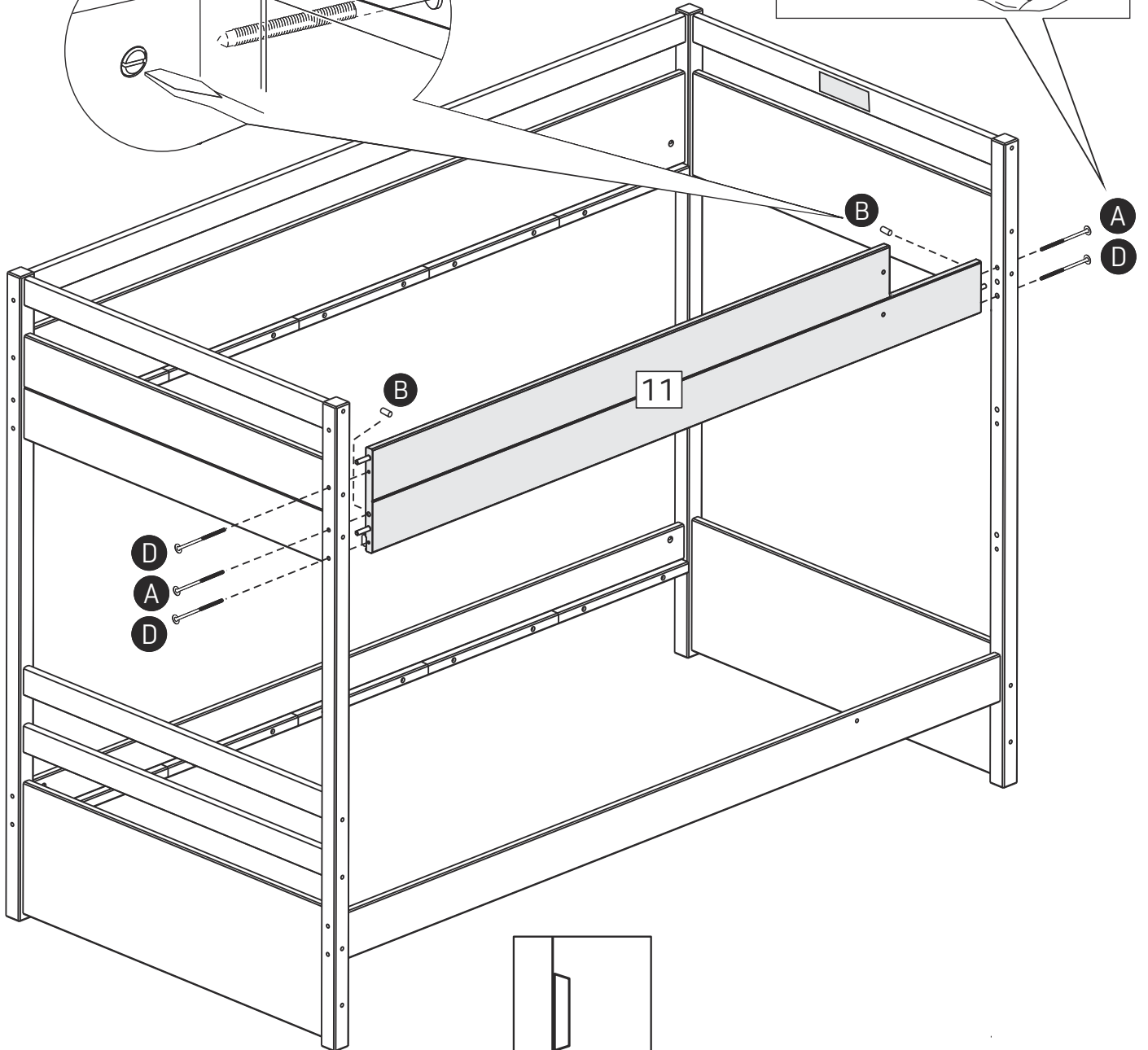
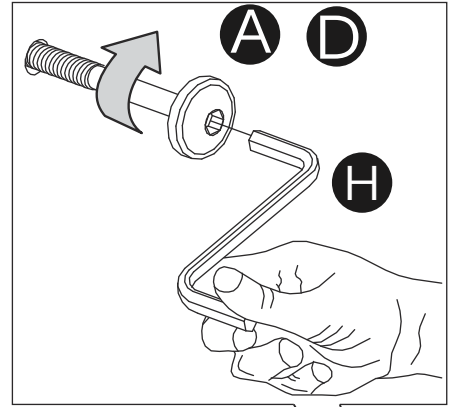
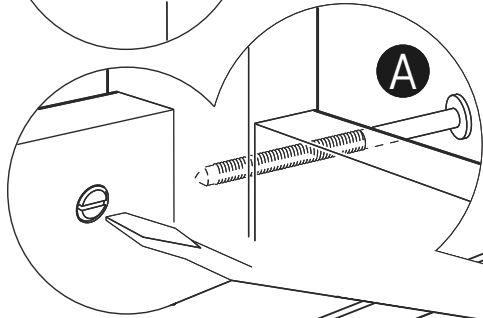
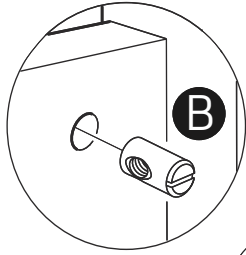
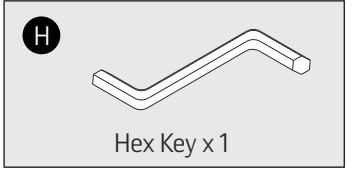
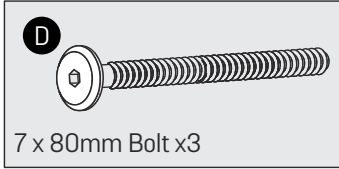
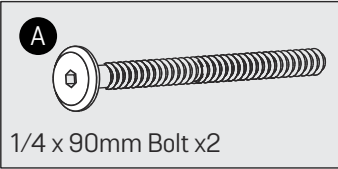
B
1/4 Barrel nut x 2

D
7 x 80mm Bolt x6

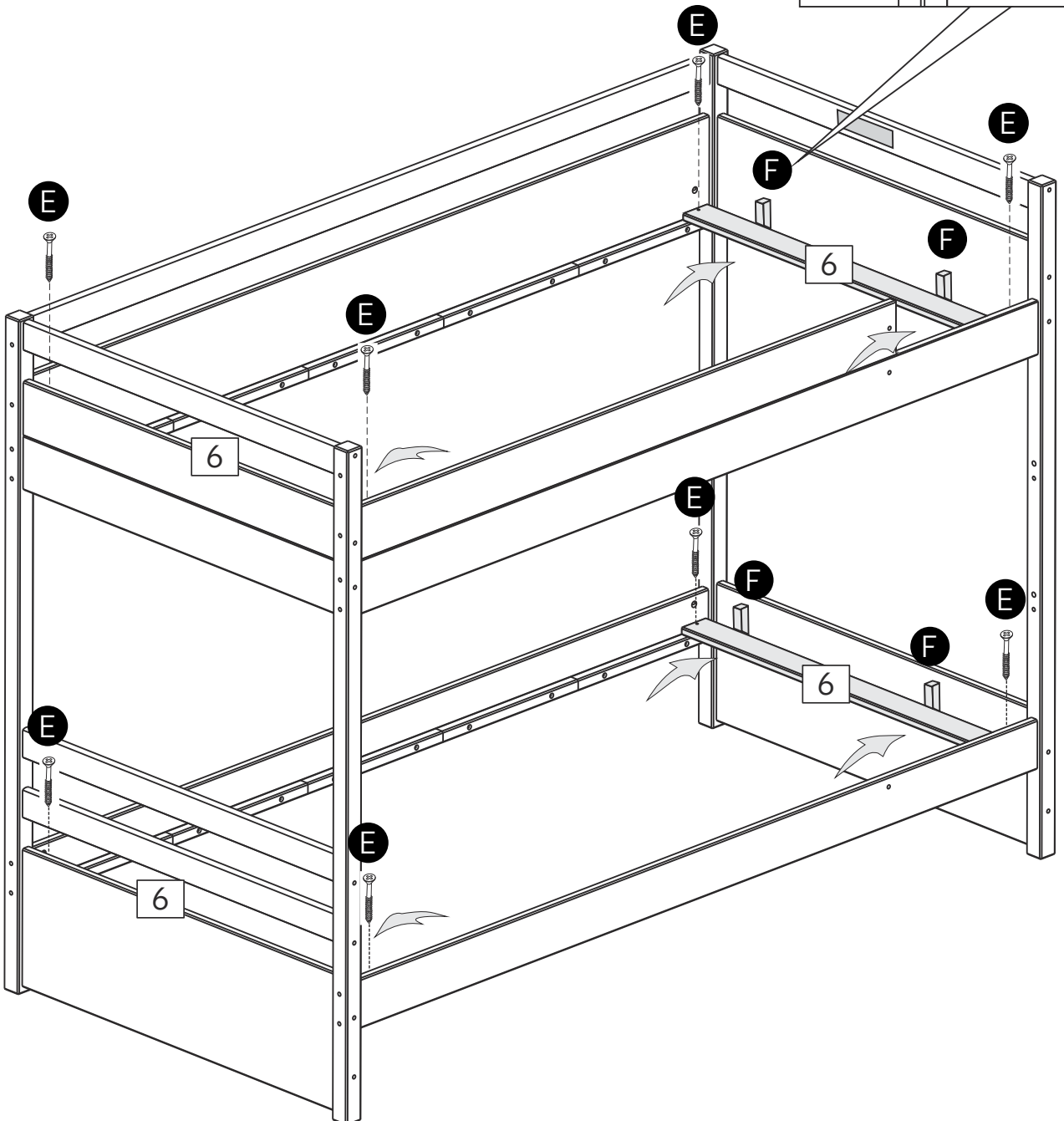
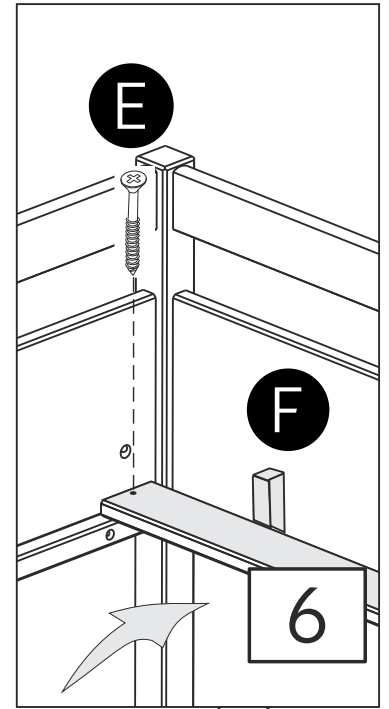
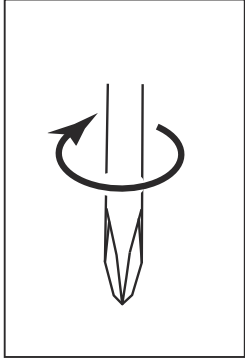
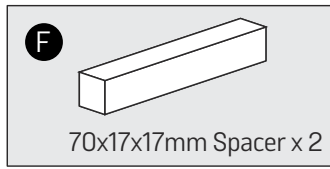
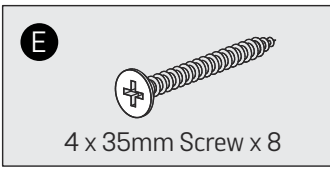
H
Hex Key x1



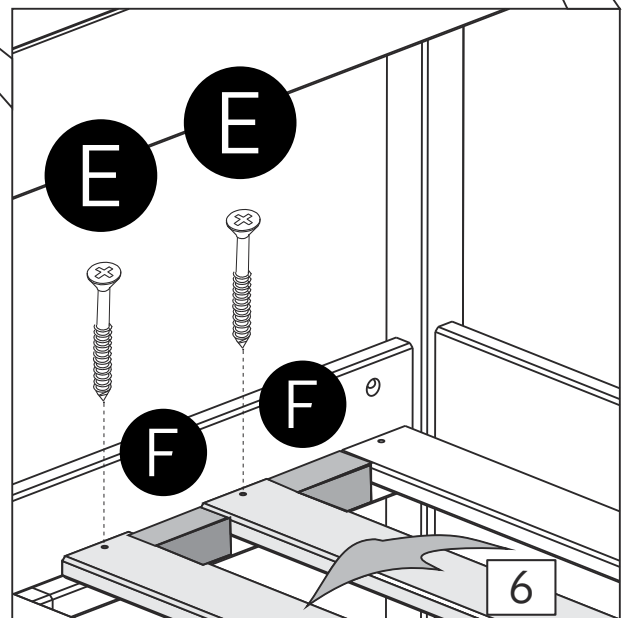
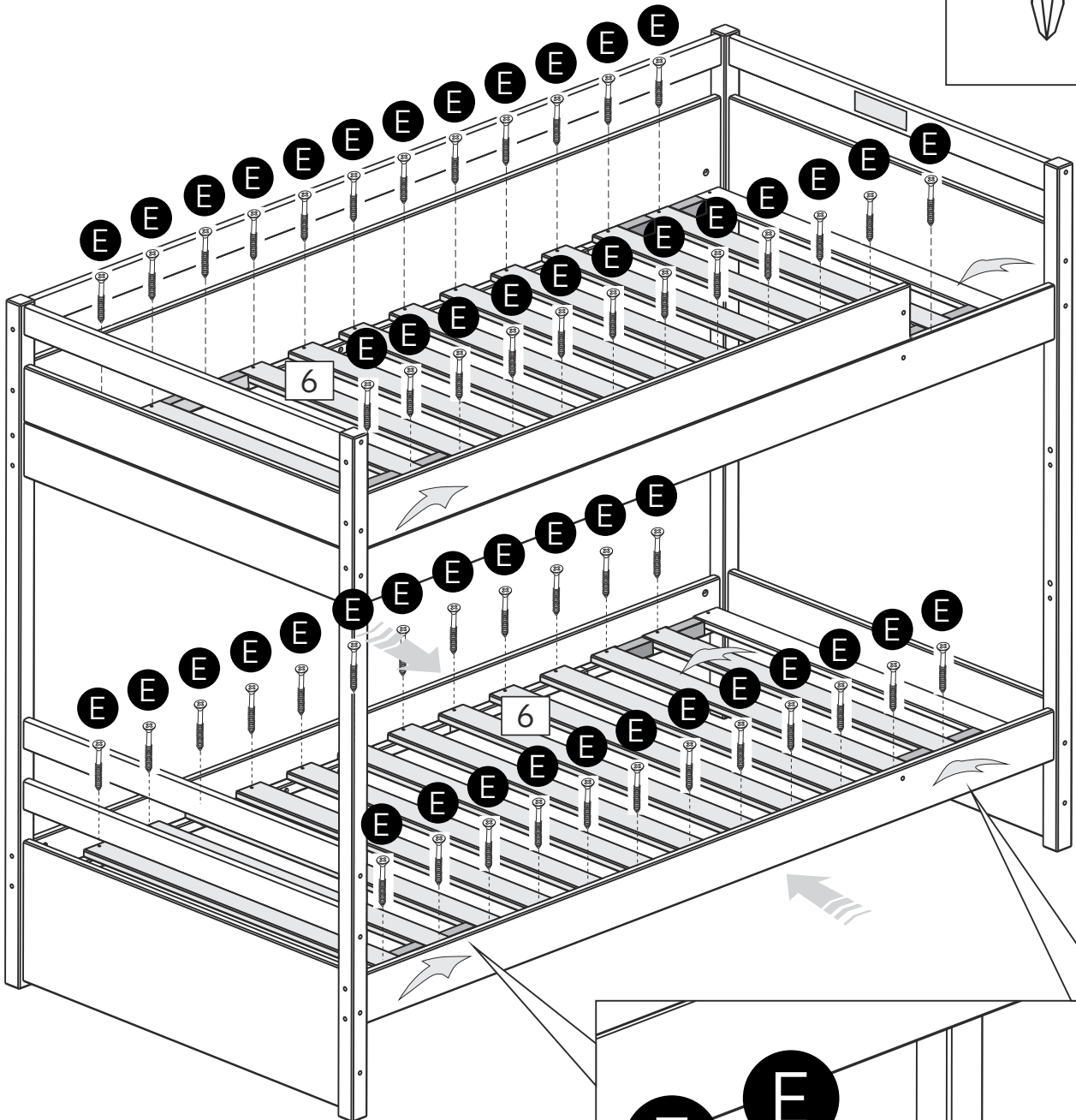
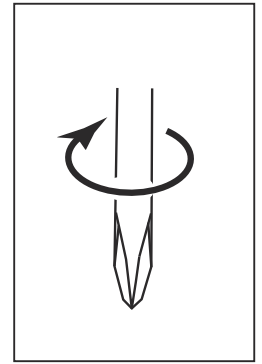
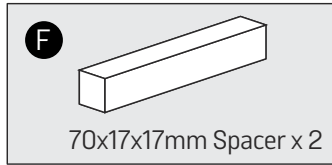
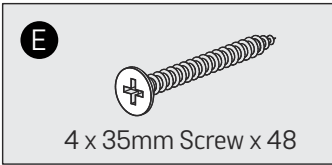
7



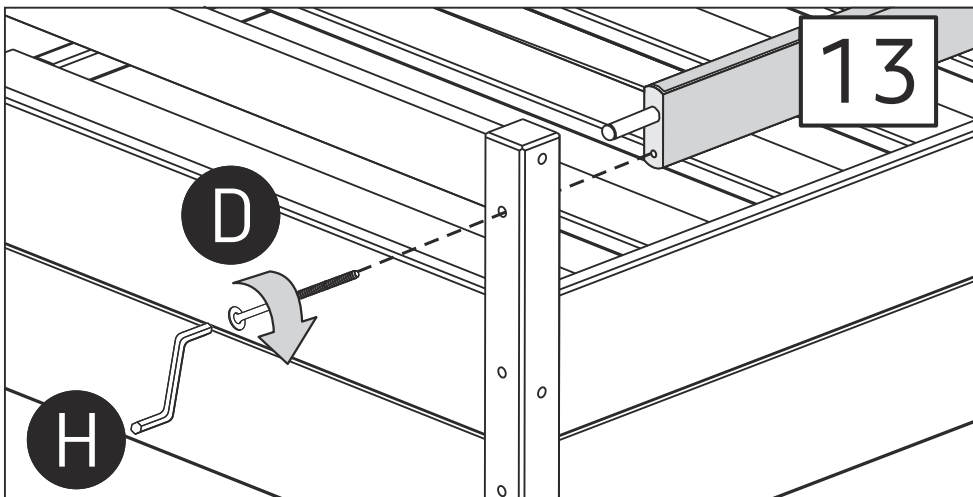
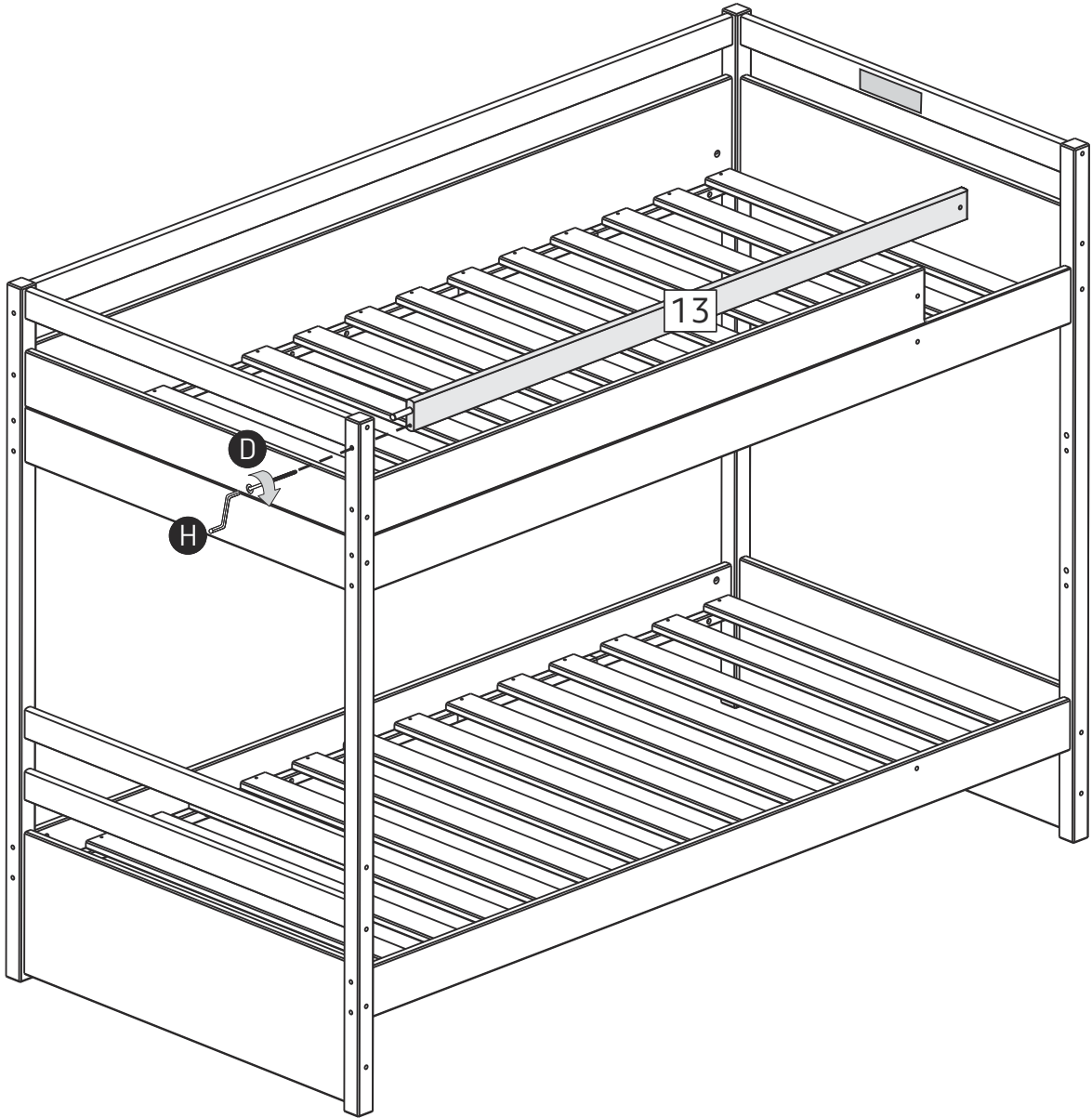
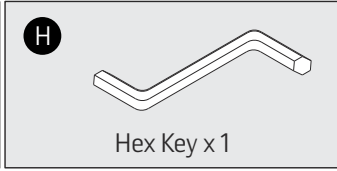
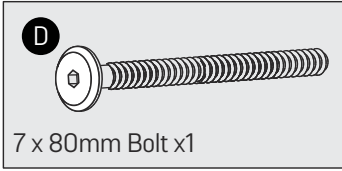
8



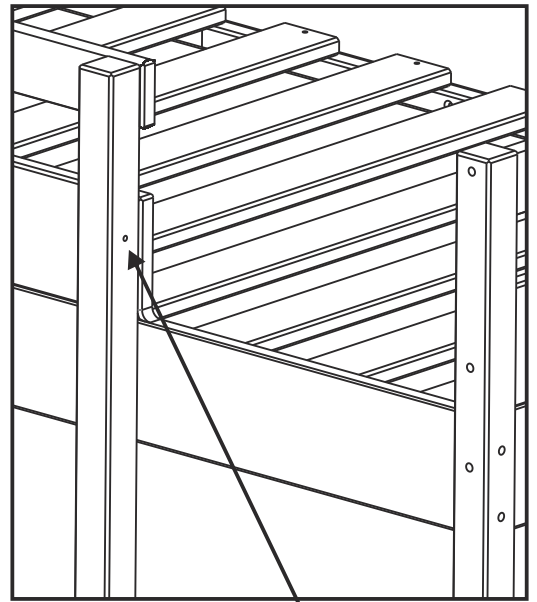
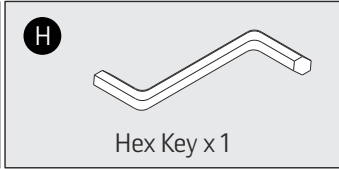
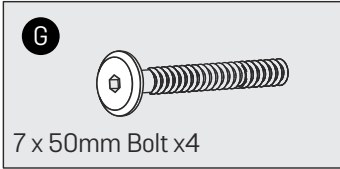
9



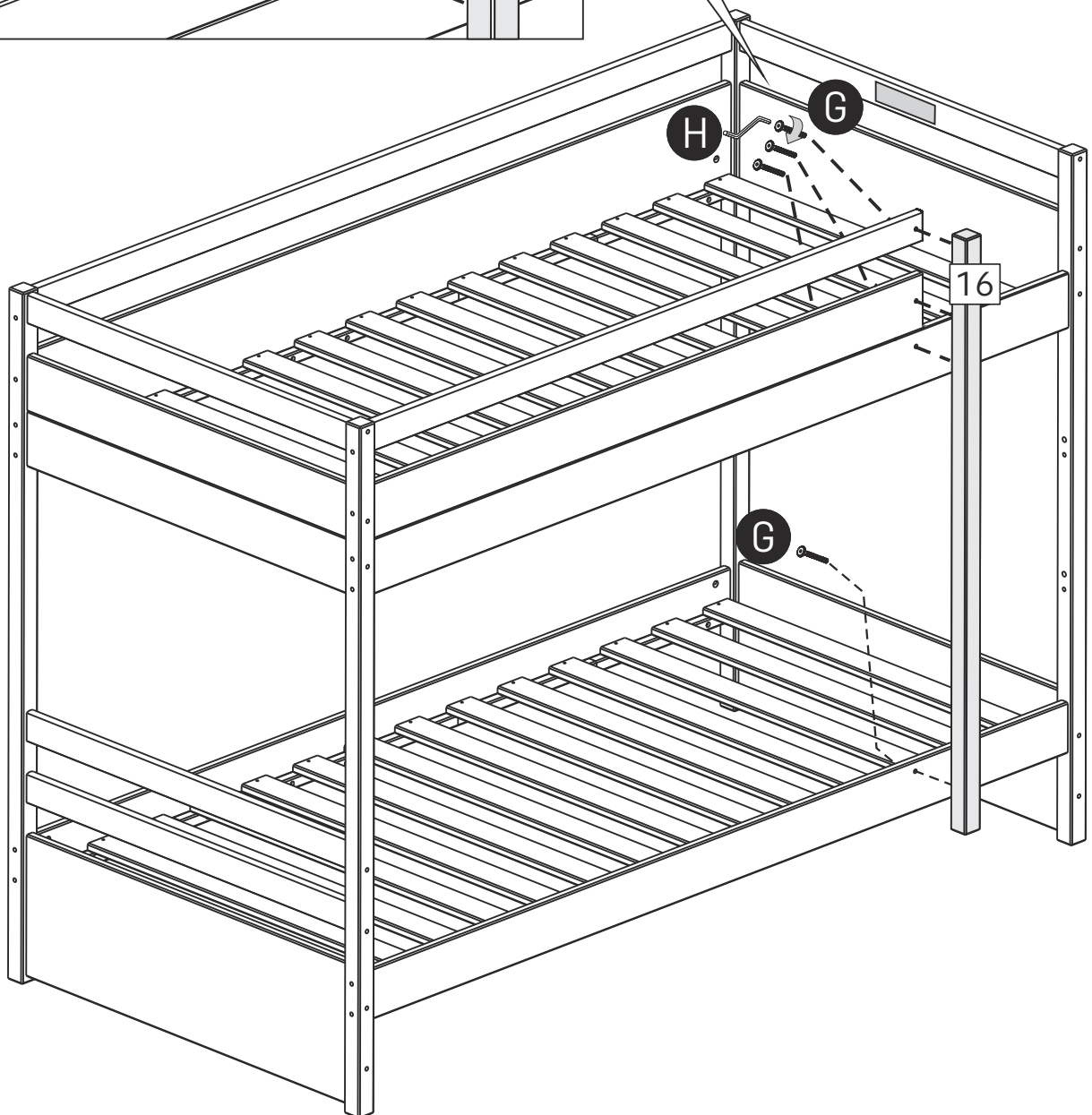
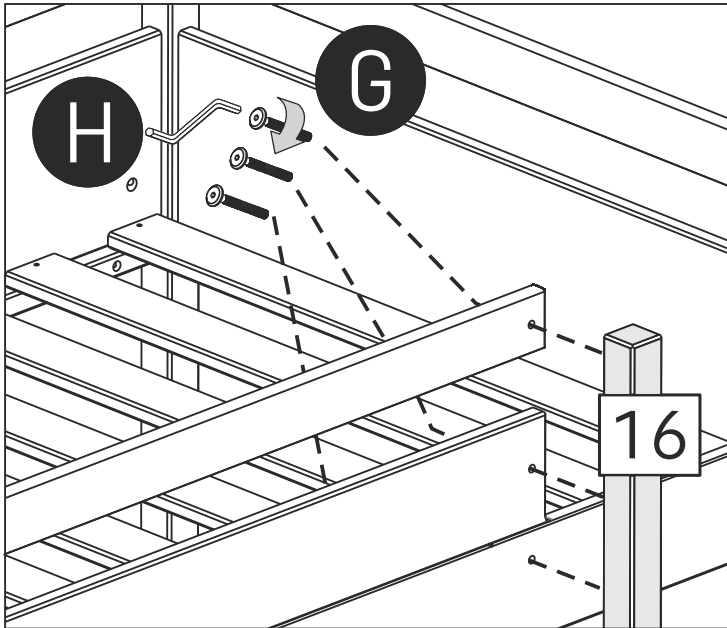
10



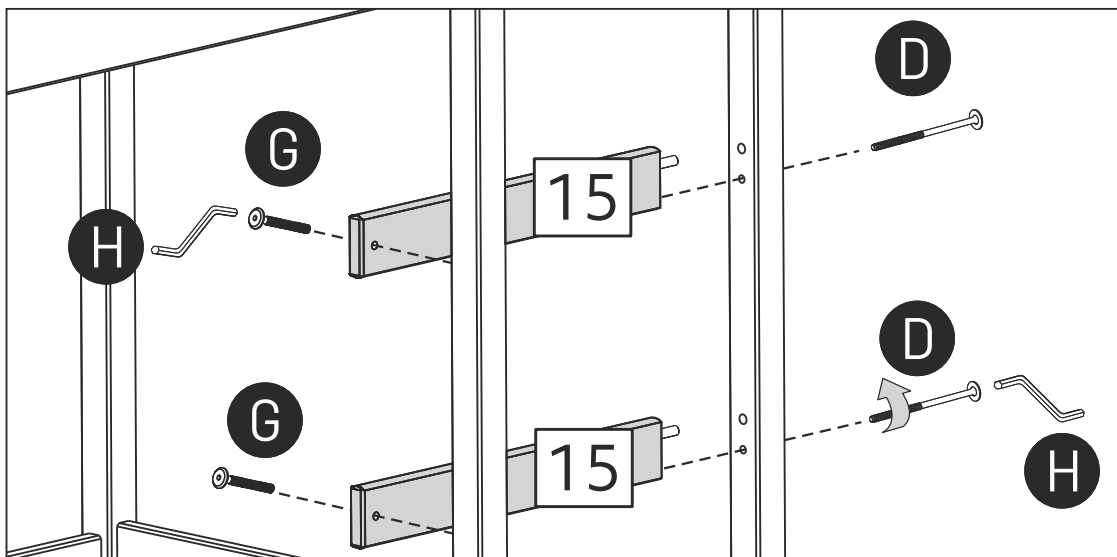
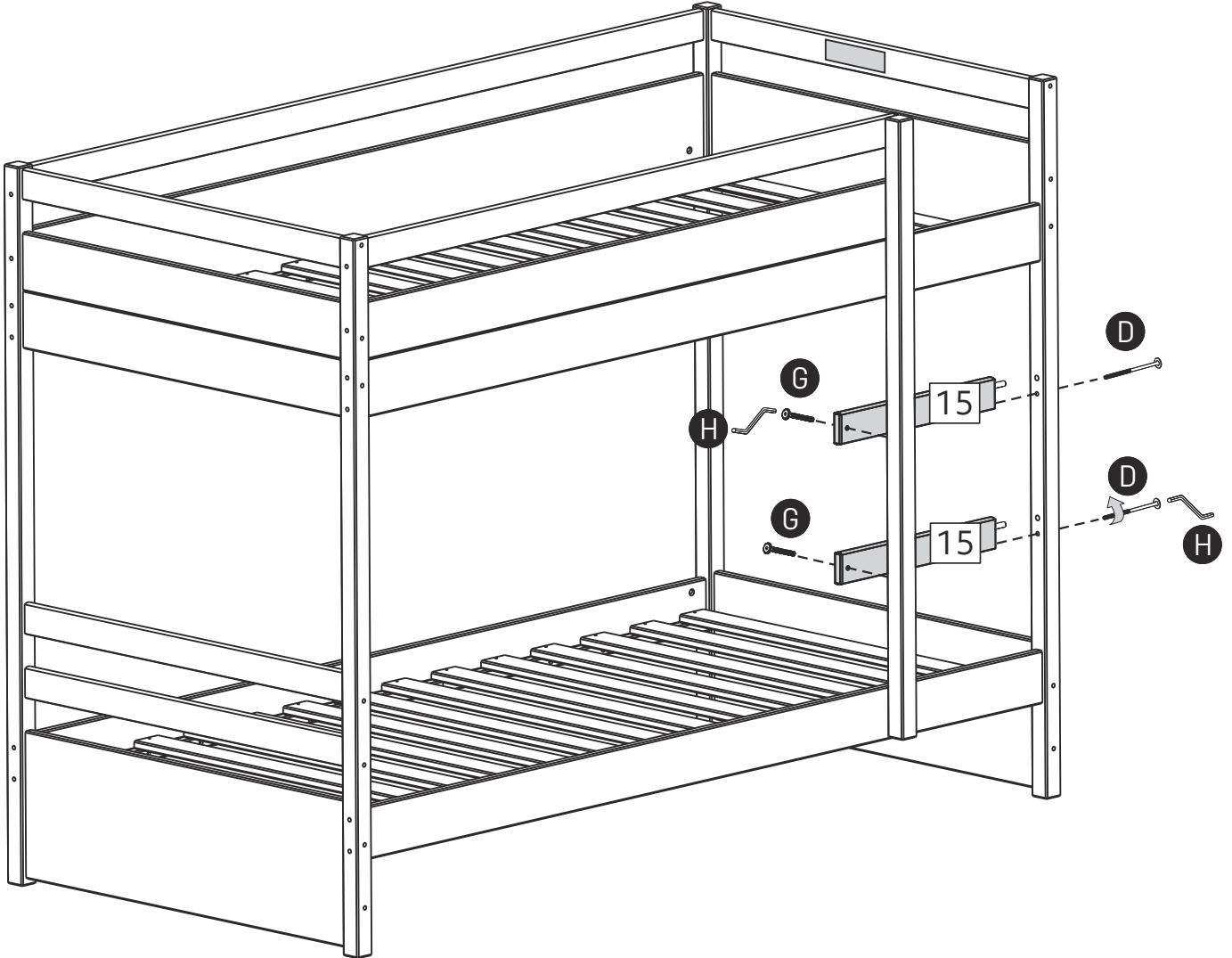
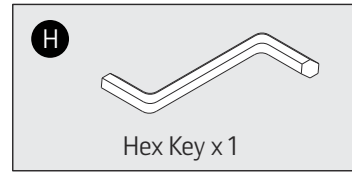
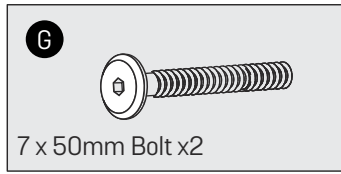
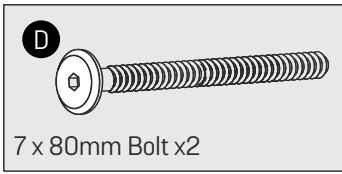
11



The total thickness must not exceed 15 cm.

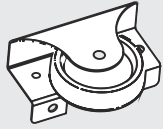


12



13

I

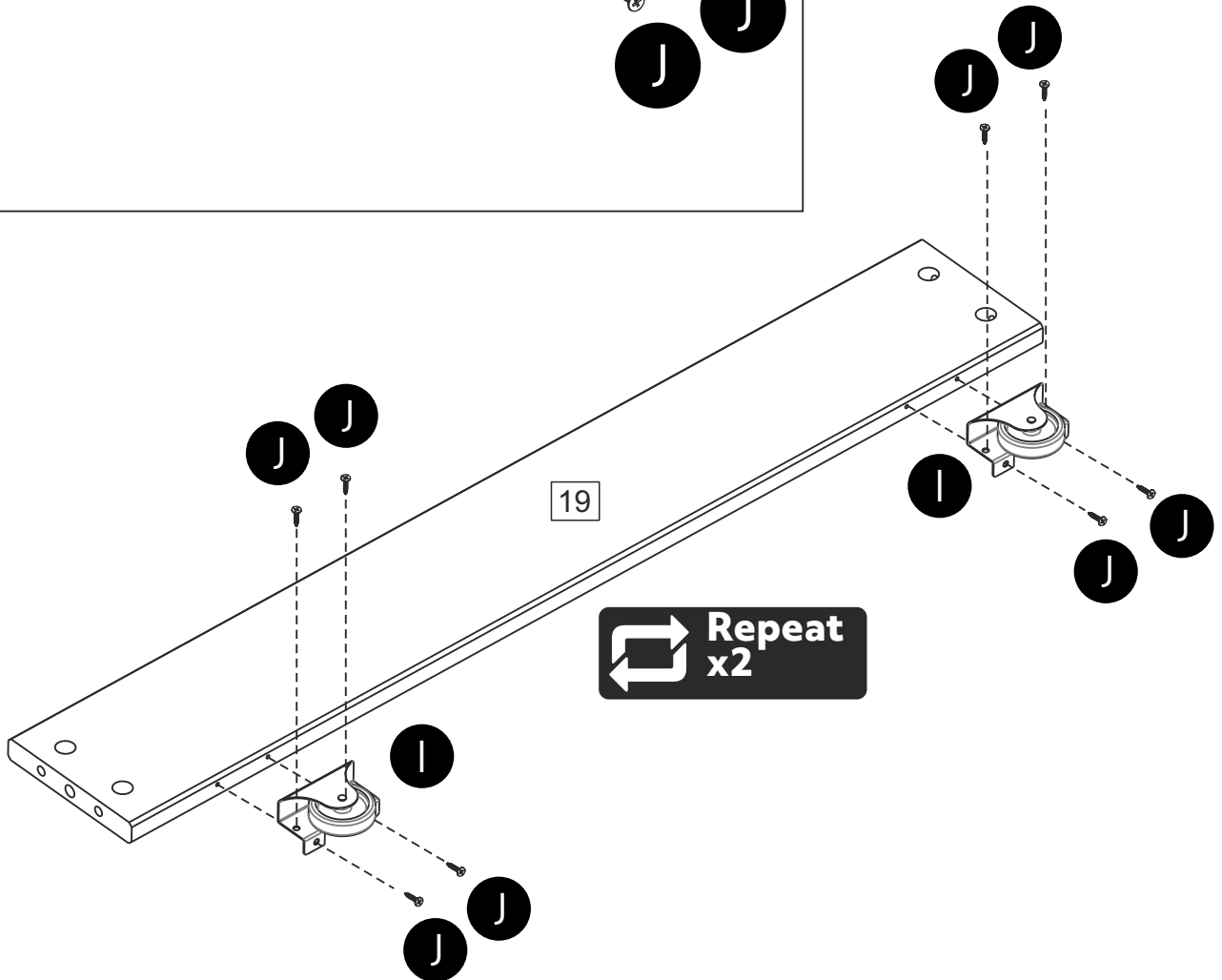
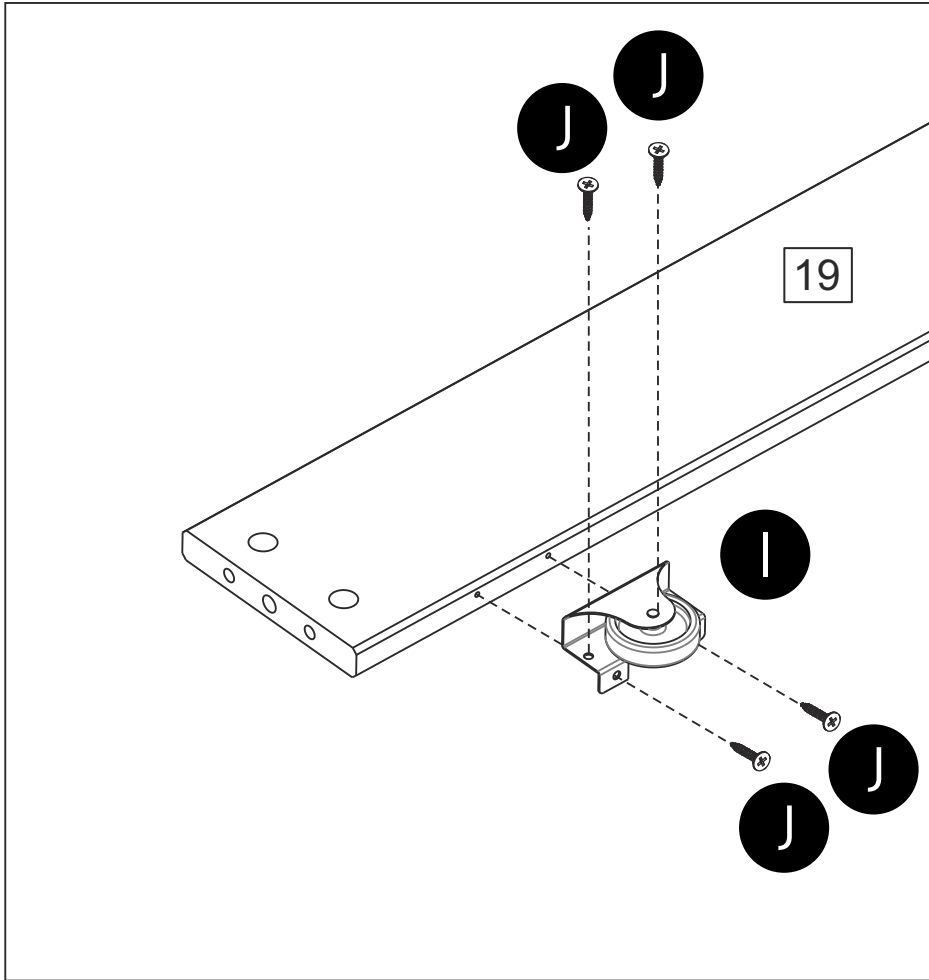


Wheel x4

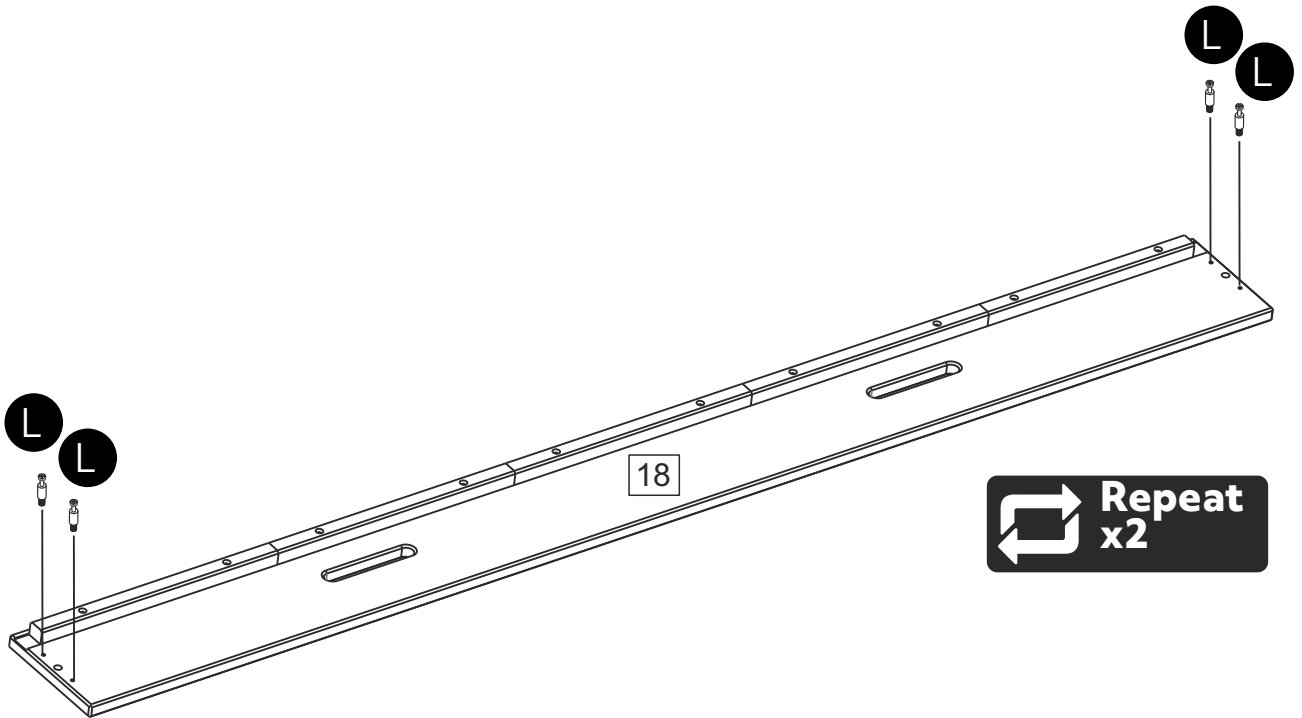
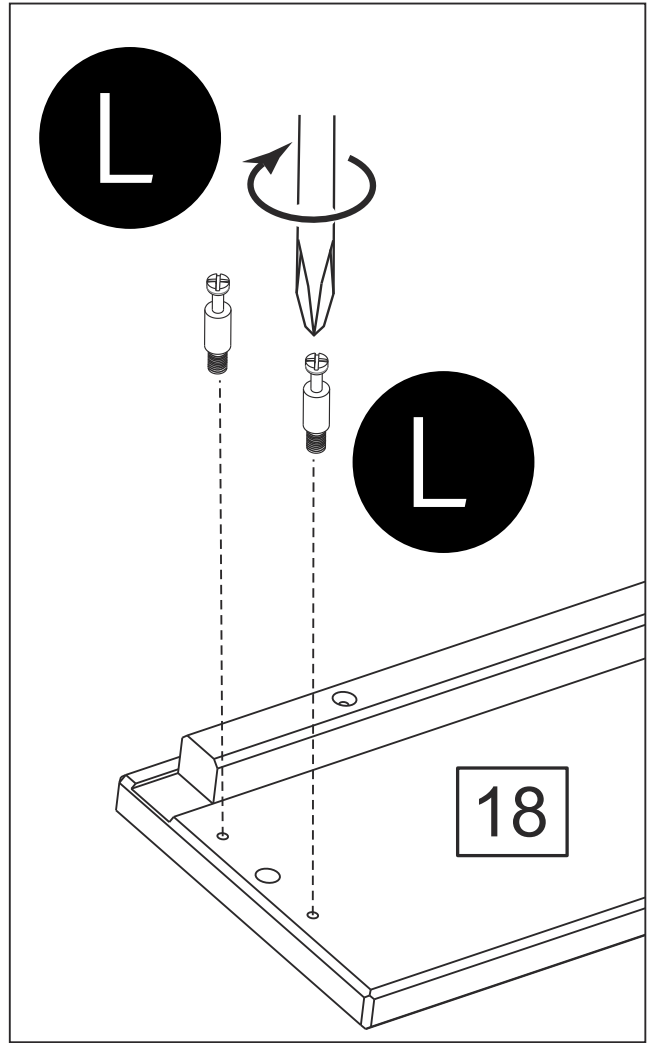
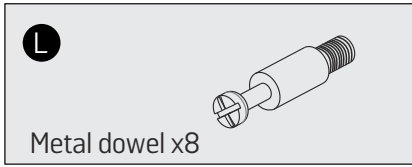
J




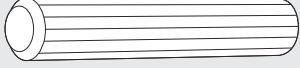
3.5x16mm Screw x16

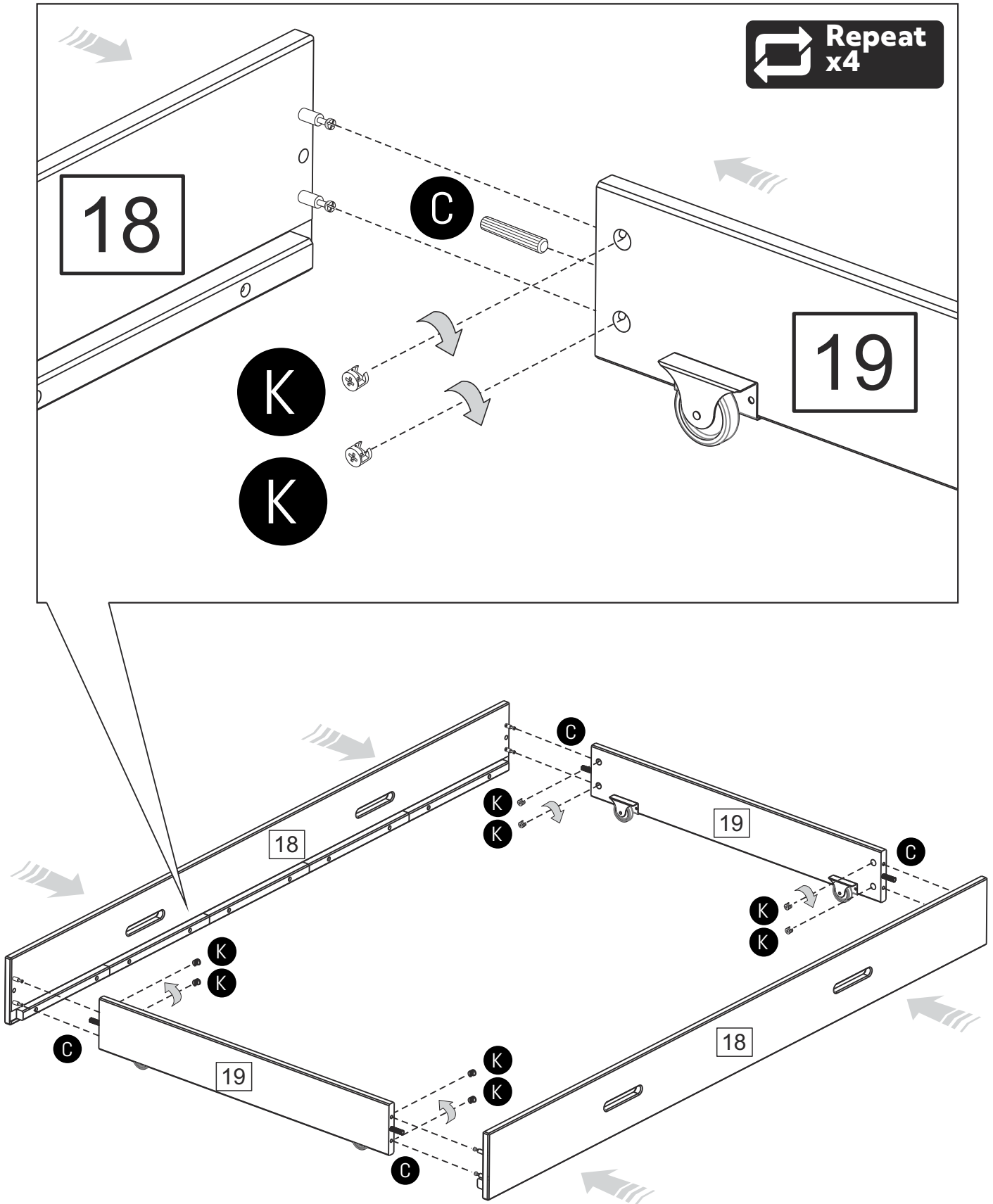


14

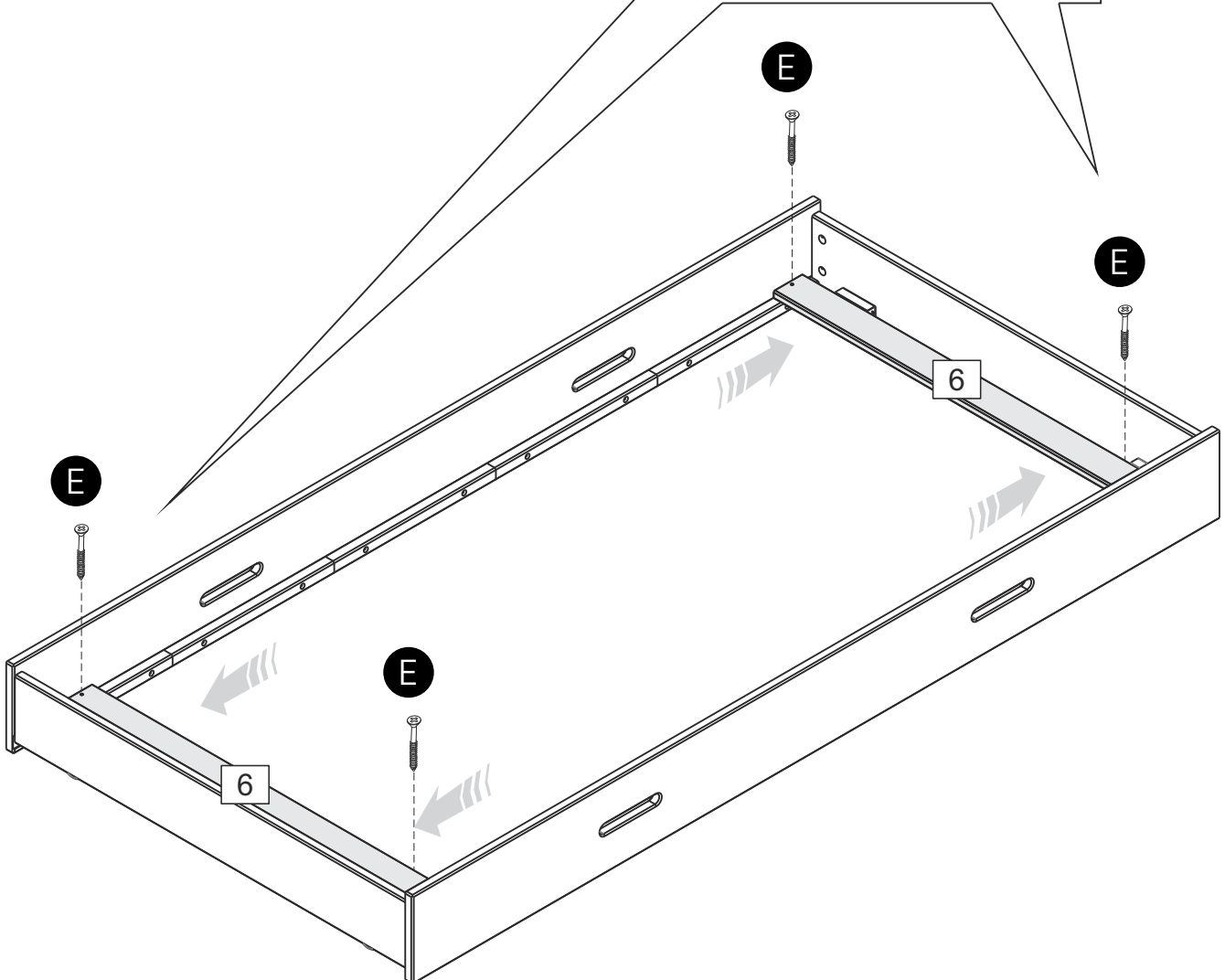
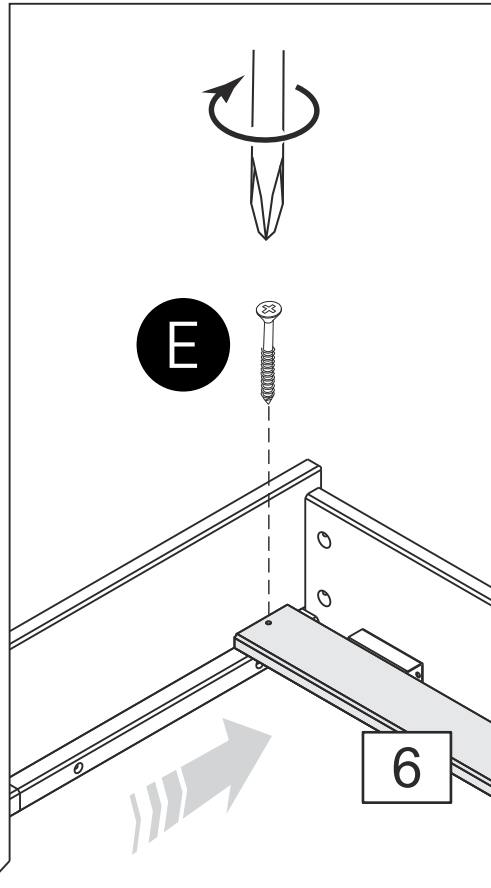
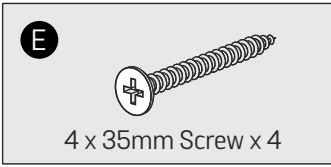


15

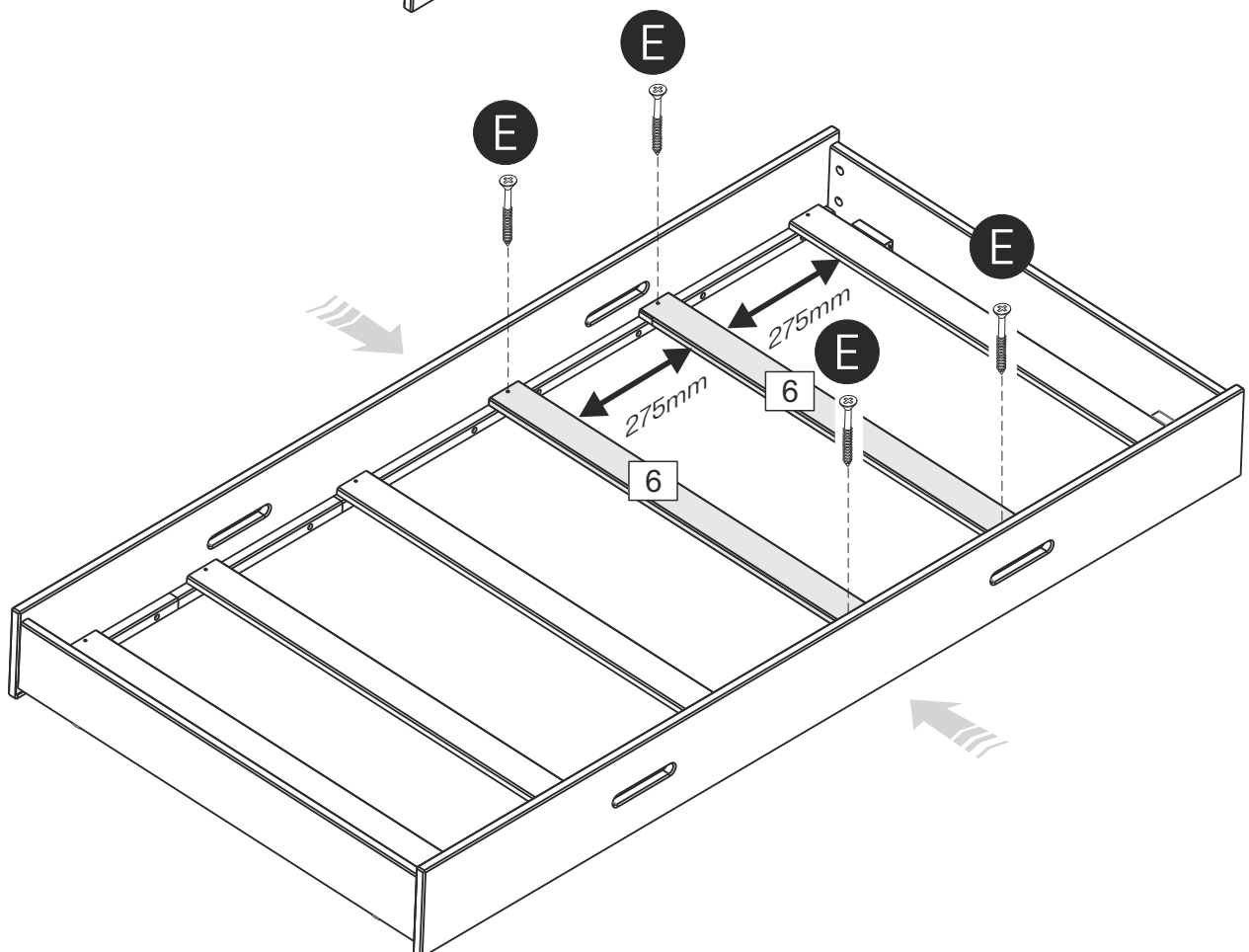
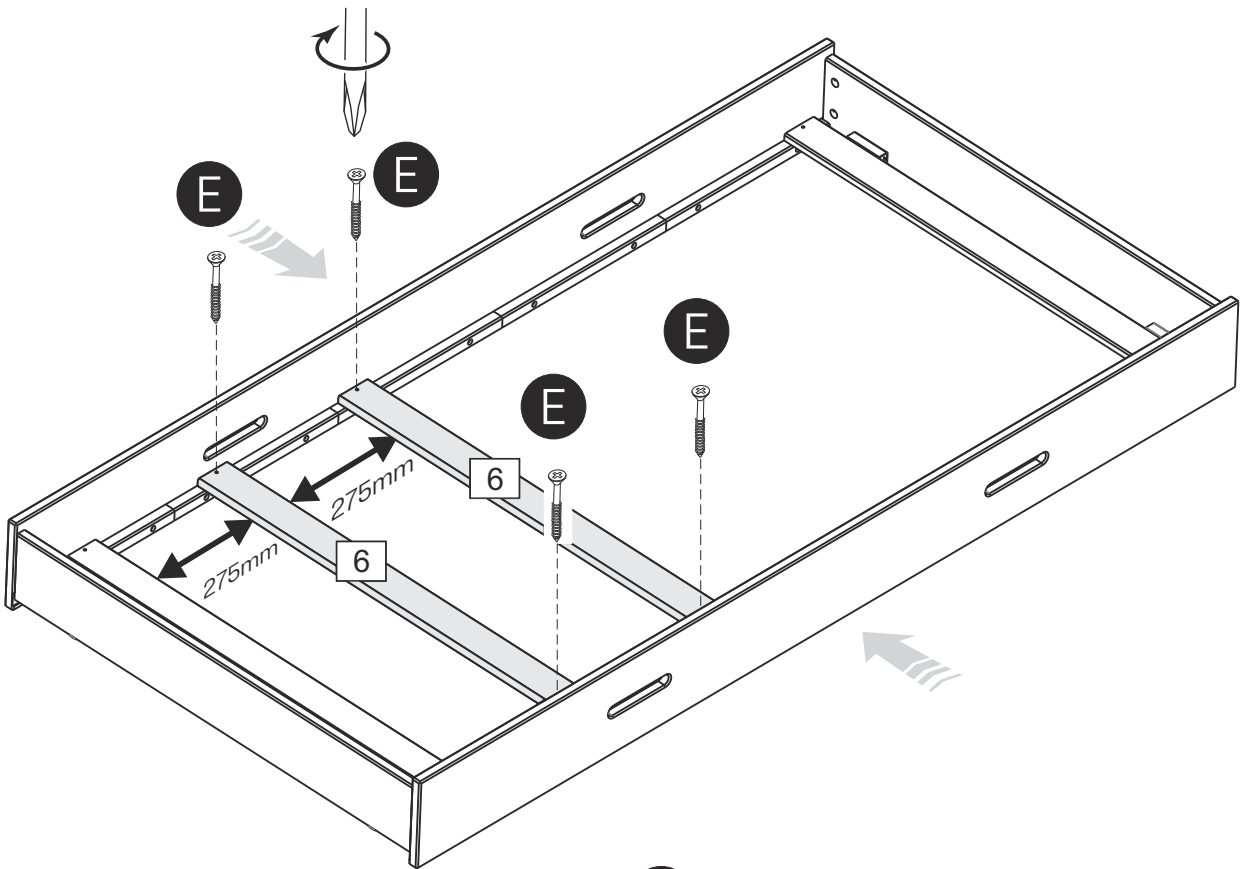
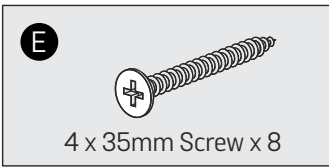
K  Locking nut x8	C  10x40 Wooden Dowel x4
---	---



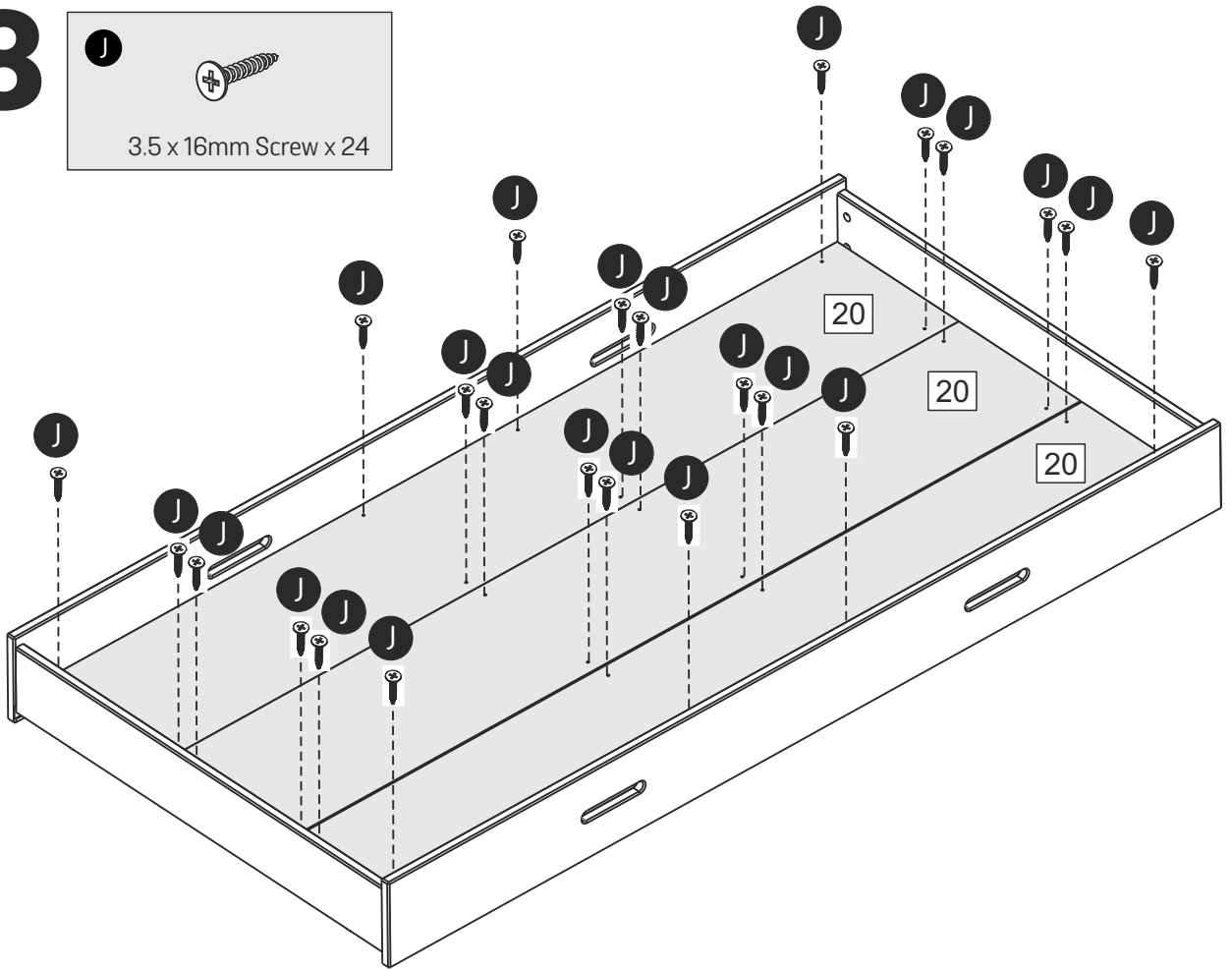
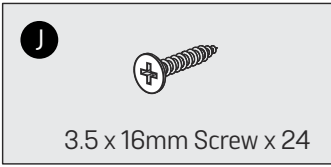
16



17



18



19

