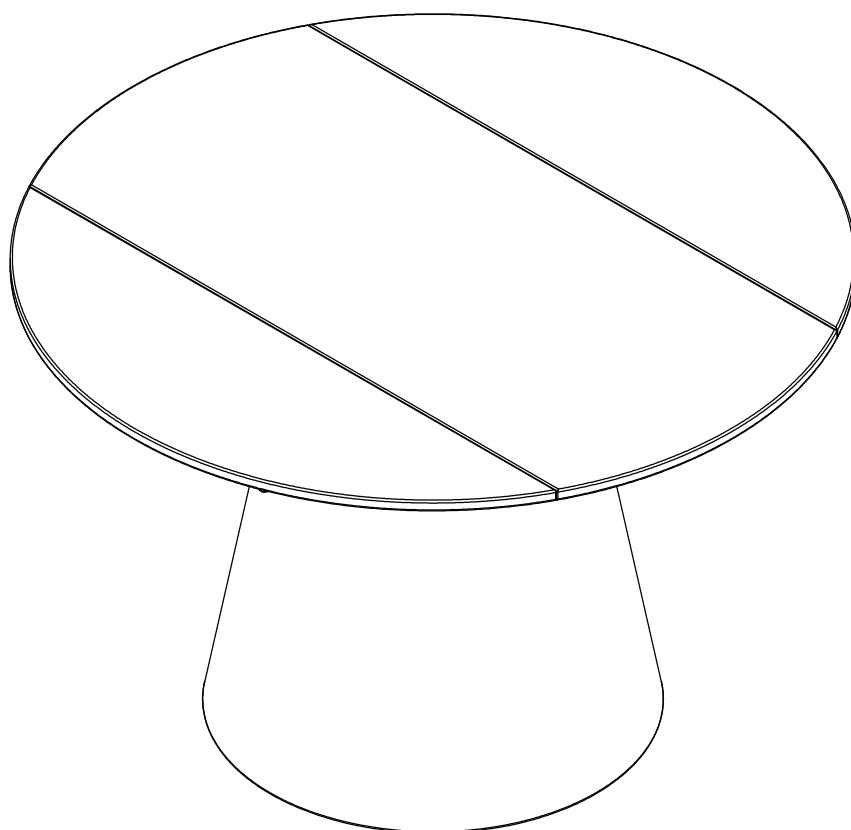



Iver


habitat




Spare Parts

 www.argos-support.co.uk

 Help@ClickSpares.co.uk

 0370 112 1928

Customer Support

 0345 640 2020



Safety and Care Advice

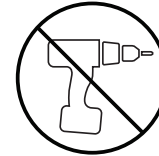
Product Details

Hab Iver Lable D120Cm Black 1308536

IMPORTANT, RETAIN FOR FUTURE REFERENCE: READ CAREFULLY.

- Keep children and animals away from the work area, small parts could choke if swallowed.
- Make sure you have enough space to layout the parts before starting.
- This product has been constructed to be used in the domestic environment only and not for commercial purposes.

- Assemble the item as close to its final position (in the same room) as possible.
- Assemble on a soft level surface to avoid damaging the unit or your floor.



- We do not recommend the use of power drill/drivers for inserting screws as this could damage the unit. Only use hand screwdrivers.
- Parts of the assembly will be easier with 2 people.
- Dispose of all packaging carefully and responsibly.

Care and maintenance

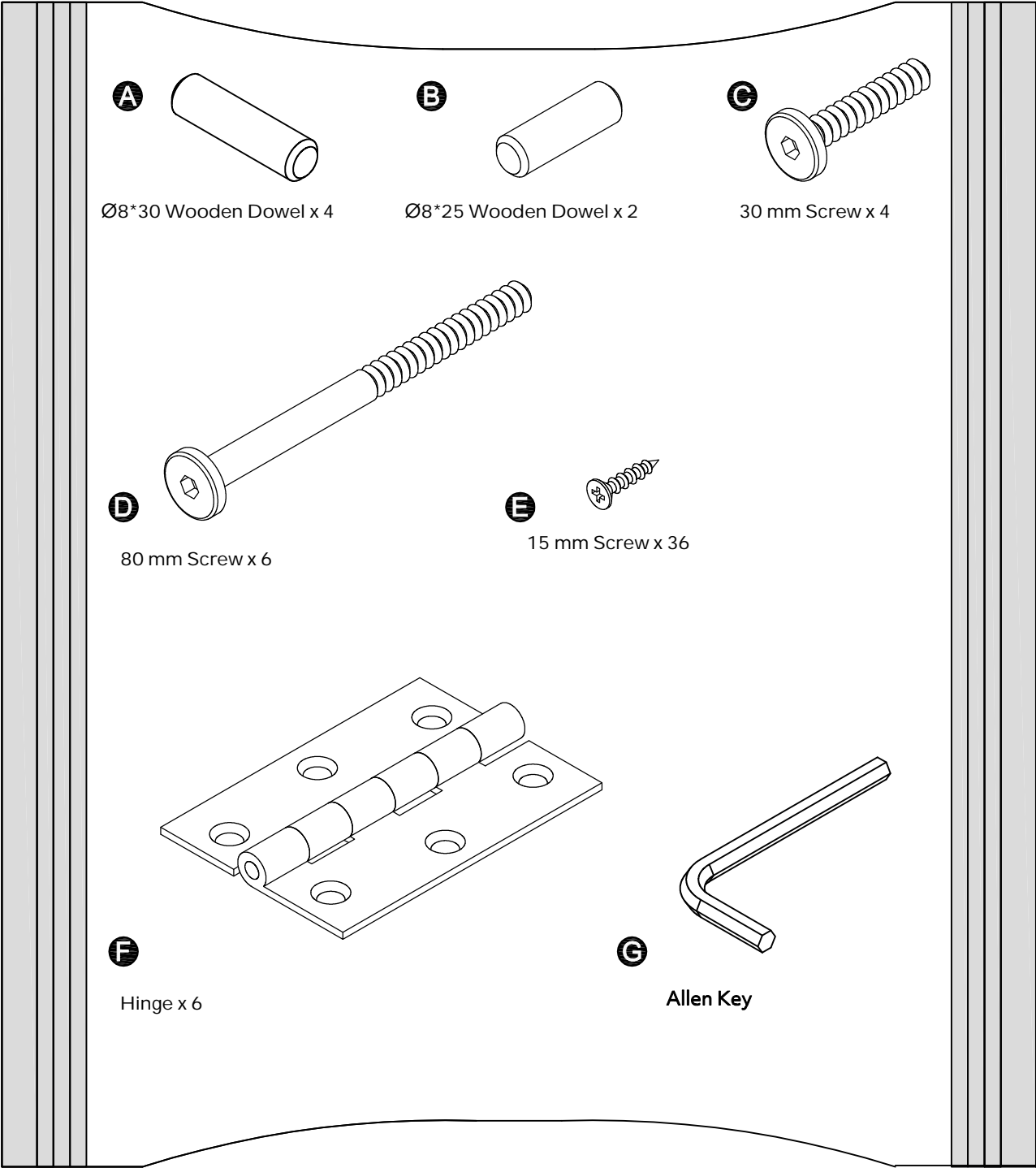
- Only clean using a damp cloth and mild detergent. Do not use abrasive cleaners.
- Use a dry cloth to clean the product, furniture polish is not recommended.
- From time to time check that there are no loose screws, nuts or bolts. If there are please re-tighten.
- This product should not be discarded with household waste. Take to your local authority waste disposal centre.

Additional Guidance

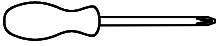
- Assemble all parts and bolts loosely during assembly, only once the product is complete should you fully tighten the bolts.
- Regularly check and ensure that all bolts and fittings are tightend properly.
- Maximum loading weight :100kgs.
- This product is compliant EN12521.

Fittings (Shown to scale)

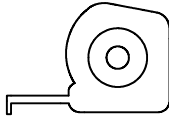
Bag 1



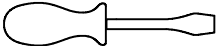
Tools required



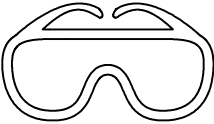
Phillips screwdriver
(small & medium)



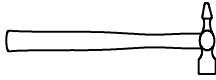
Ruler/tape
measure



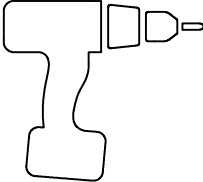
Phillips screwdriver
(small & medium)



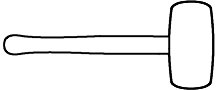
Eye protection
(when using a
hammer or glue)



Small
hammer



Power Drill

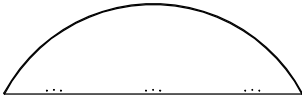


Mallet

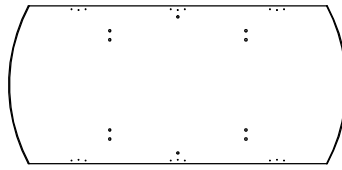


Drill Heads

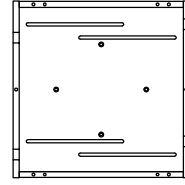
Panels



1 Side Top Panel × 2
(1061.5 × 320mm)



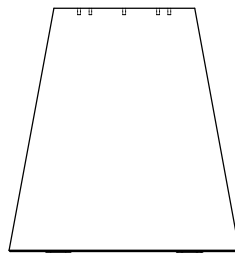
2 Centre Top Panel × 1
(1200 × 560mm)



3 Push Pull Box × 1
(502 × 500mm)

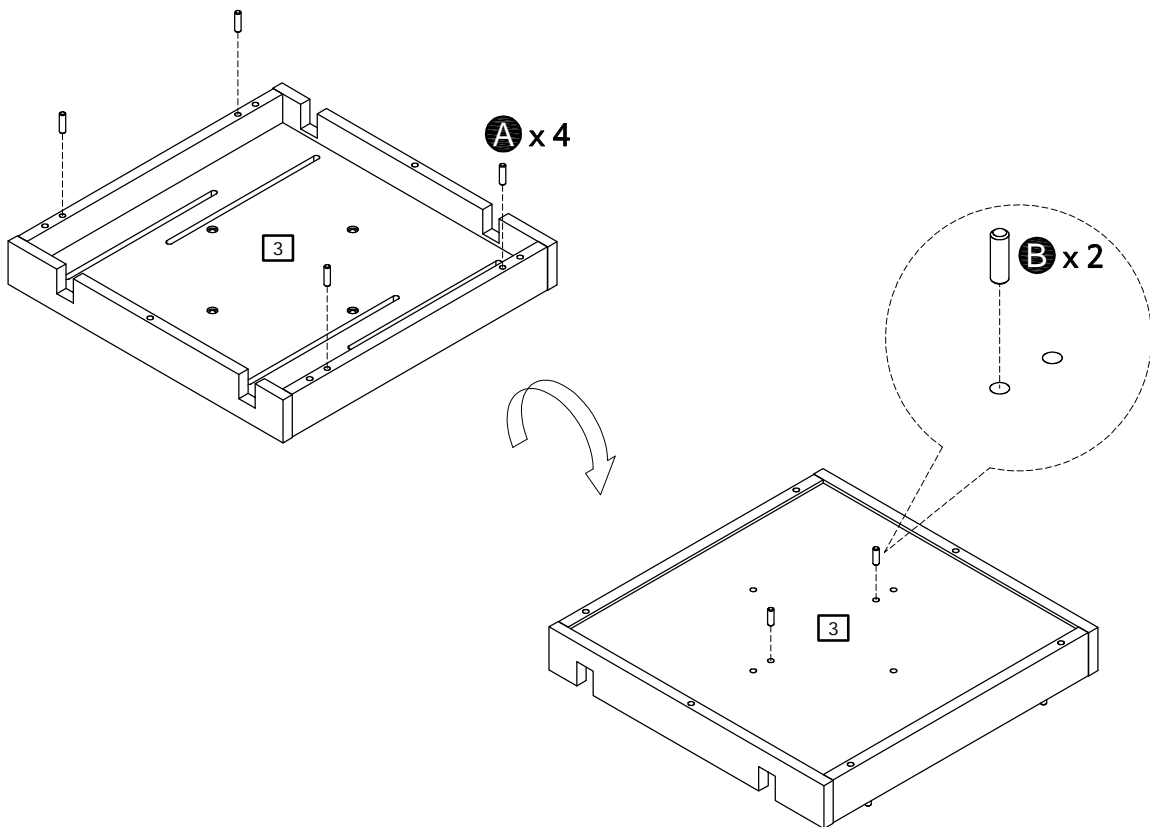
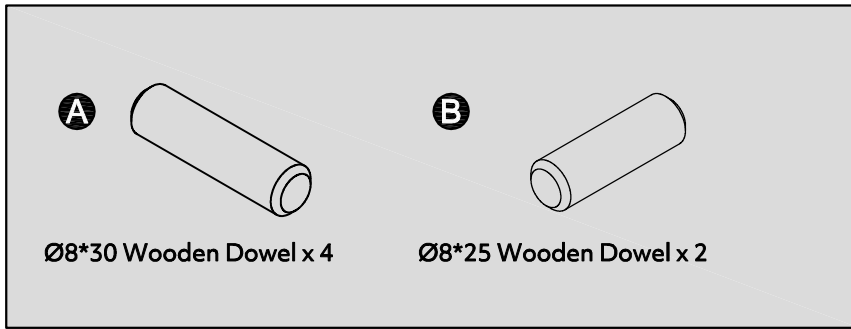
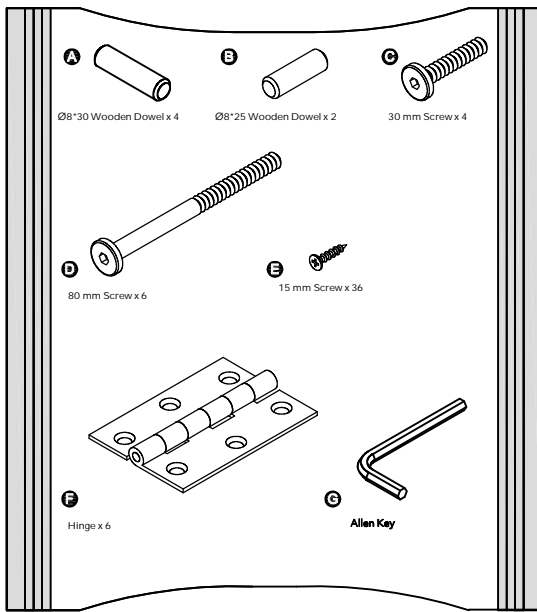


4 Sliding Rail x 4
(501 × 52mm)

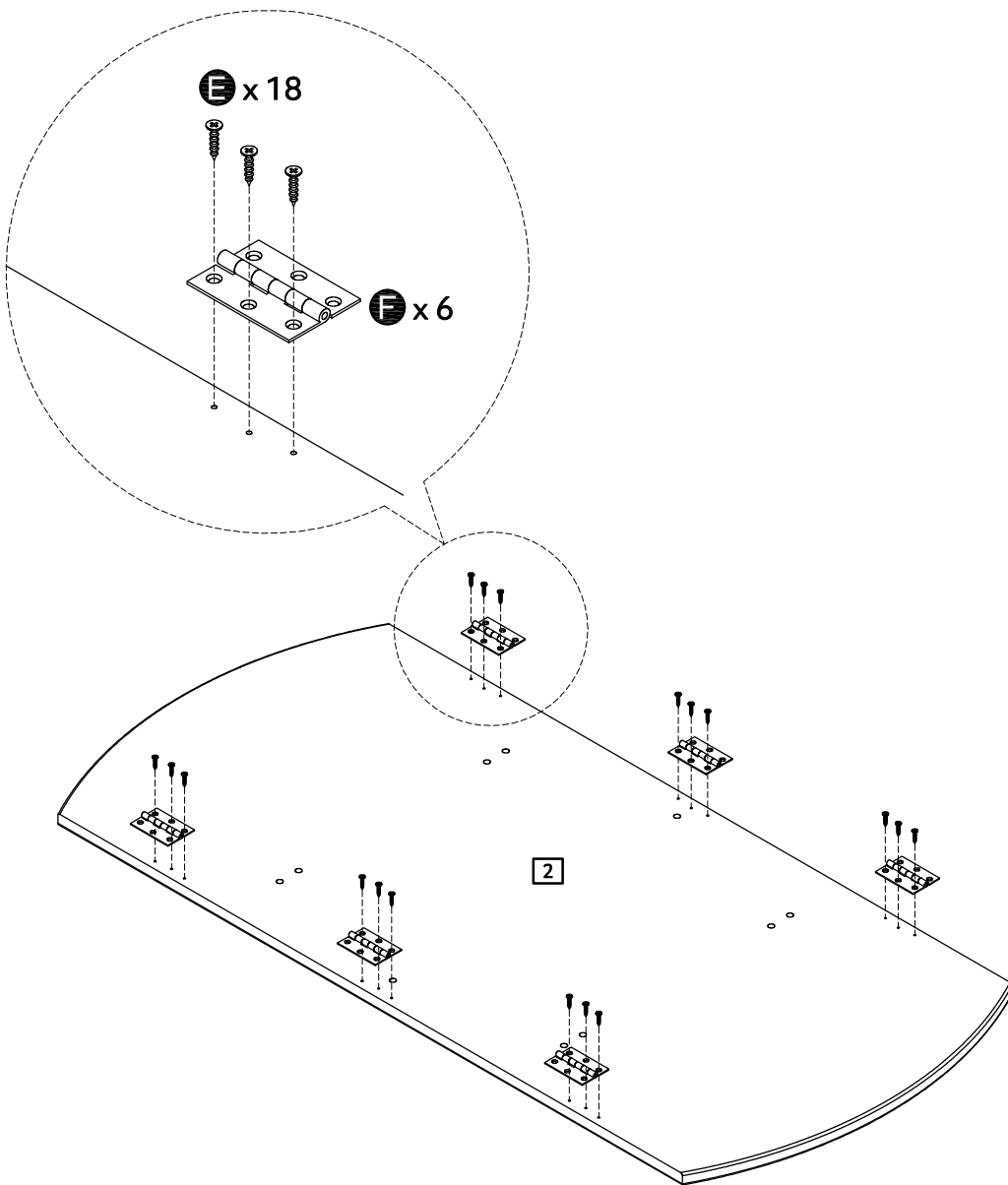
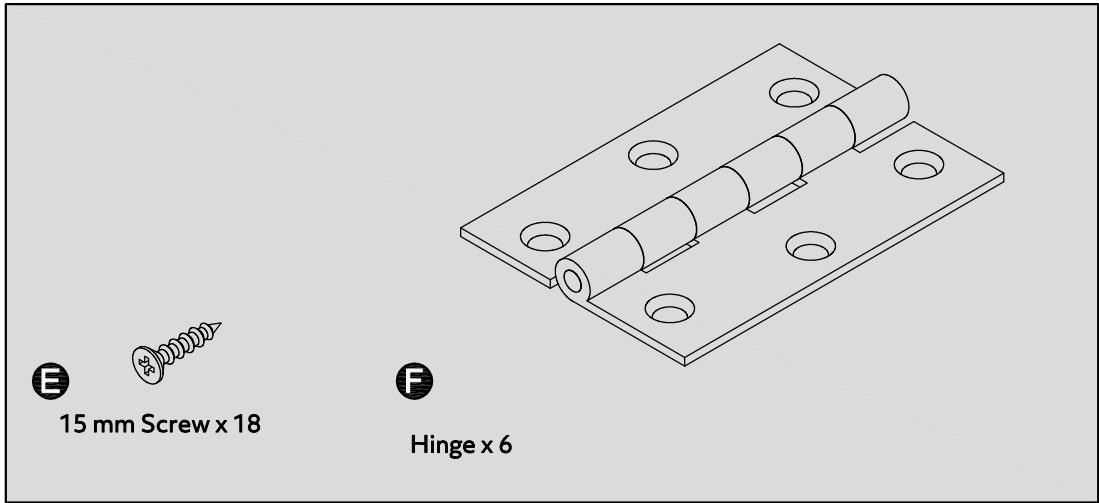


5 Base × 1
(655 × 690mm)

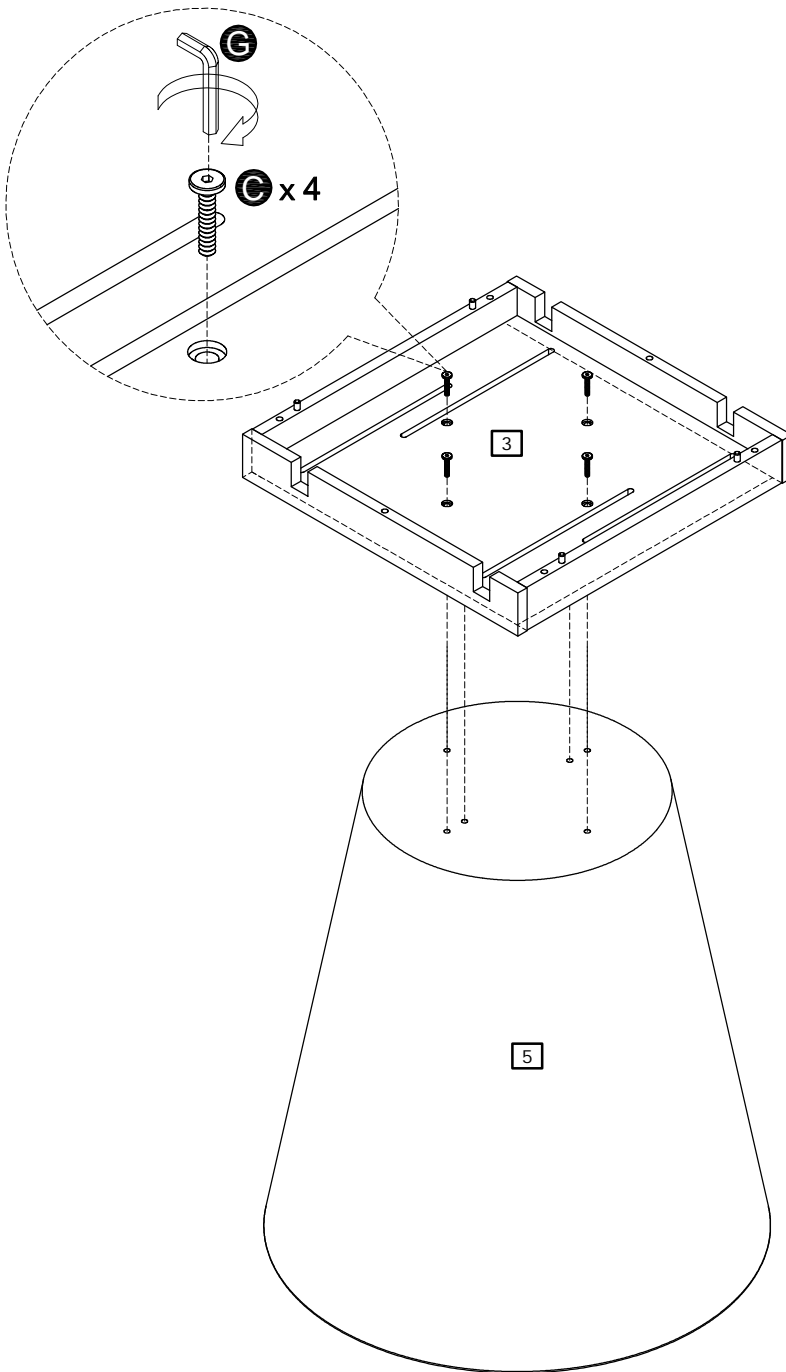
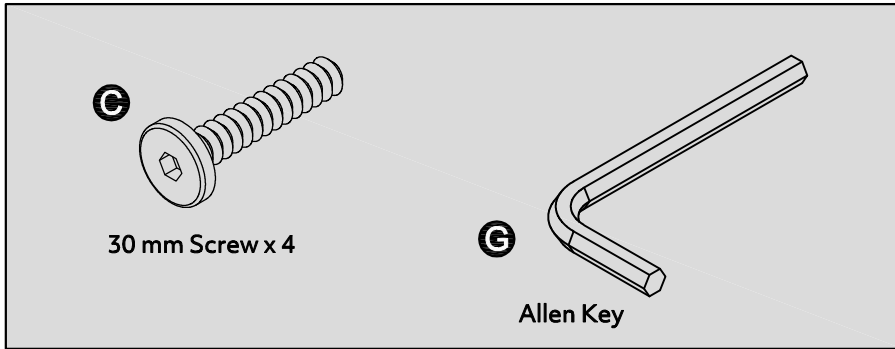
1



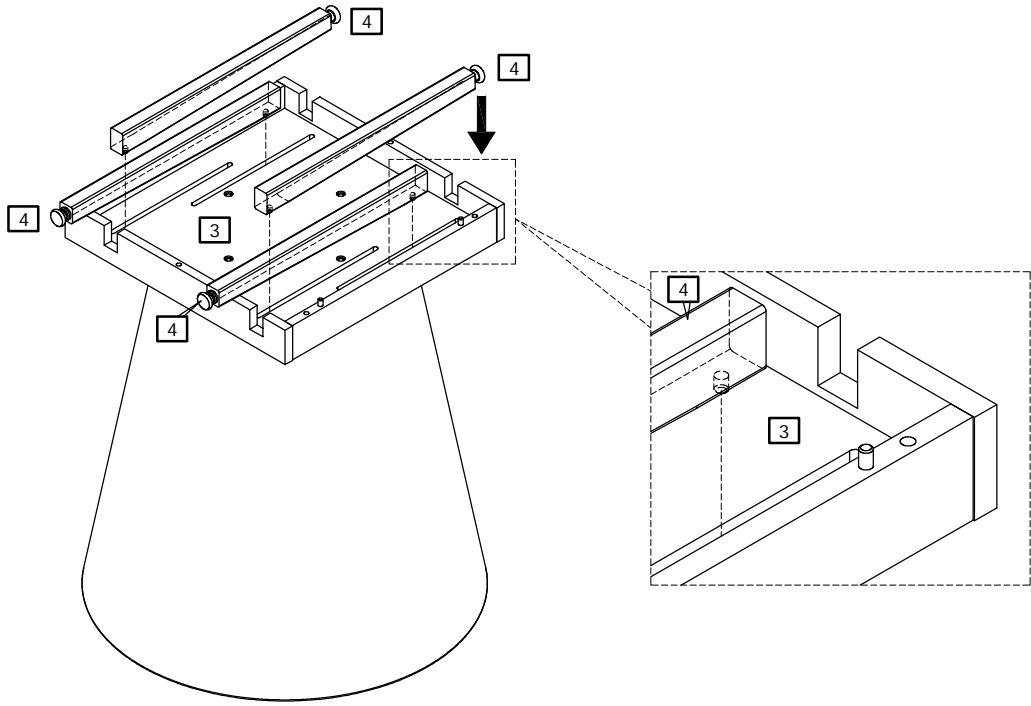
2



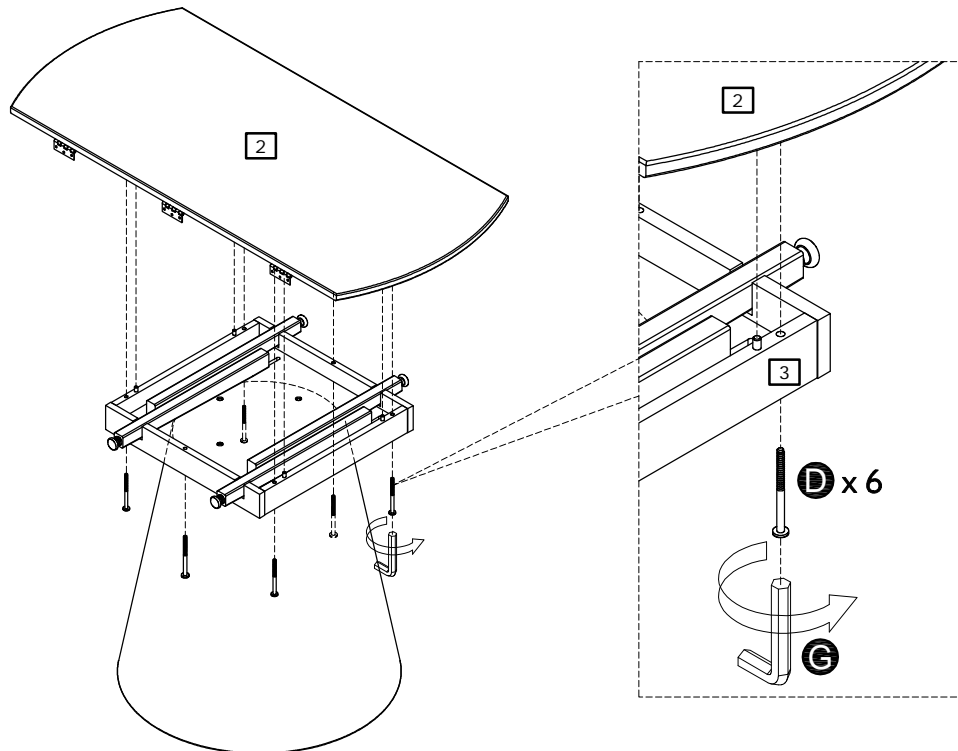
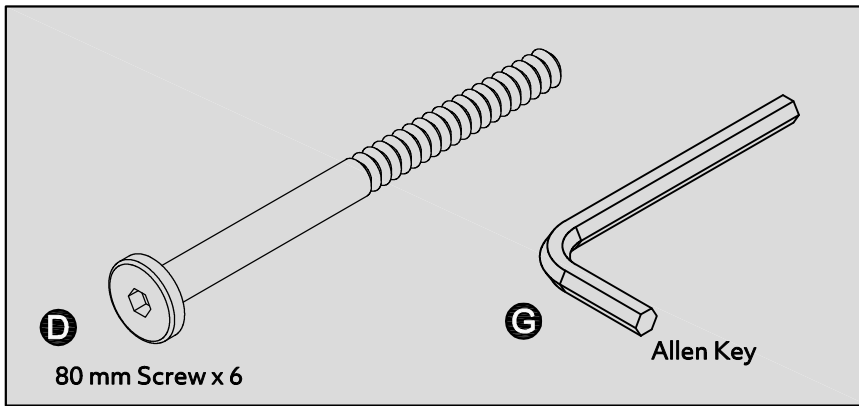
3



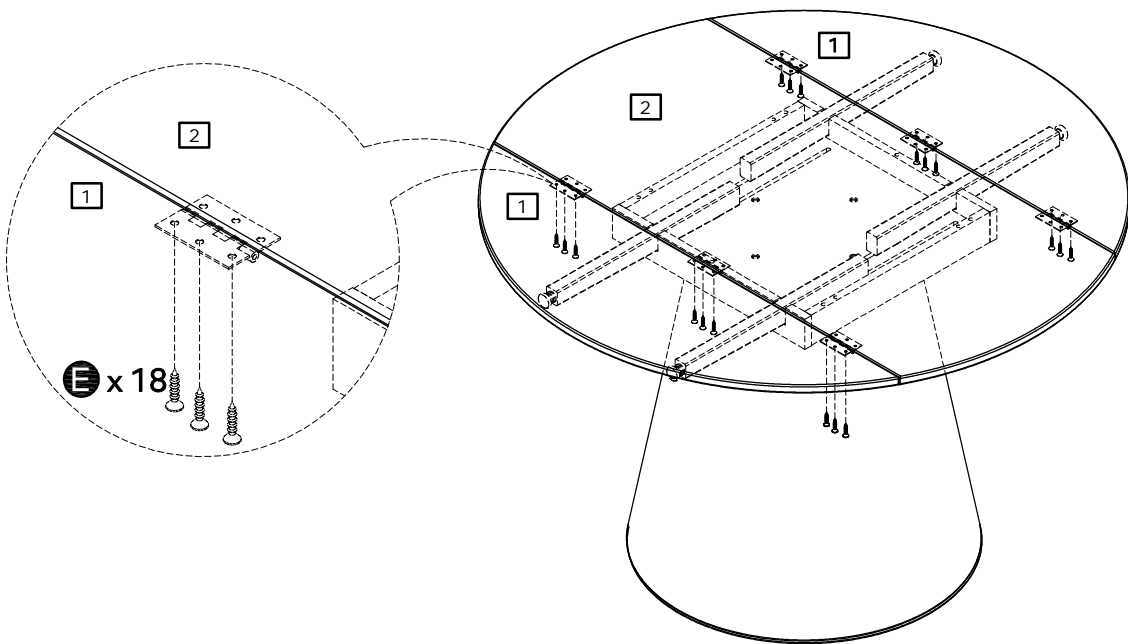
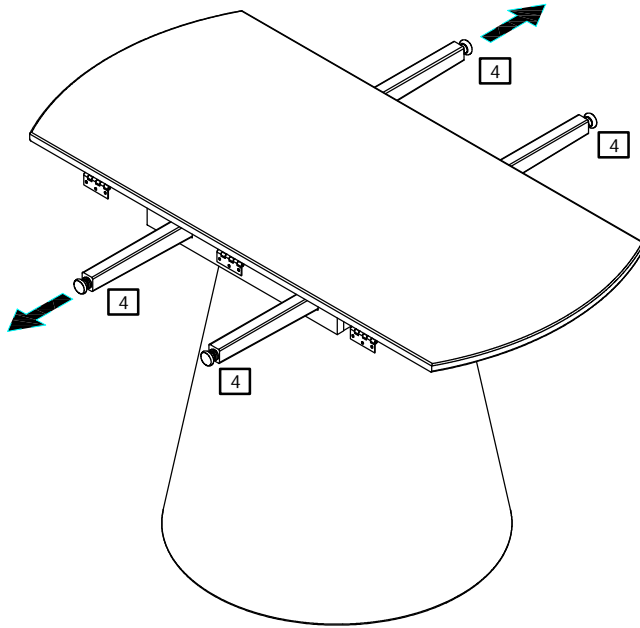
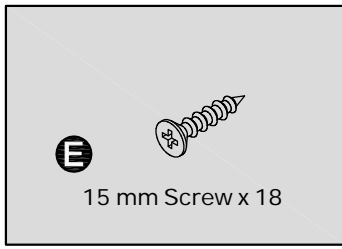
4



5



6



7

