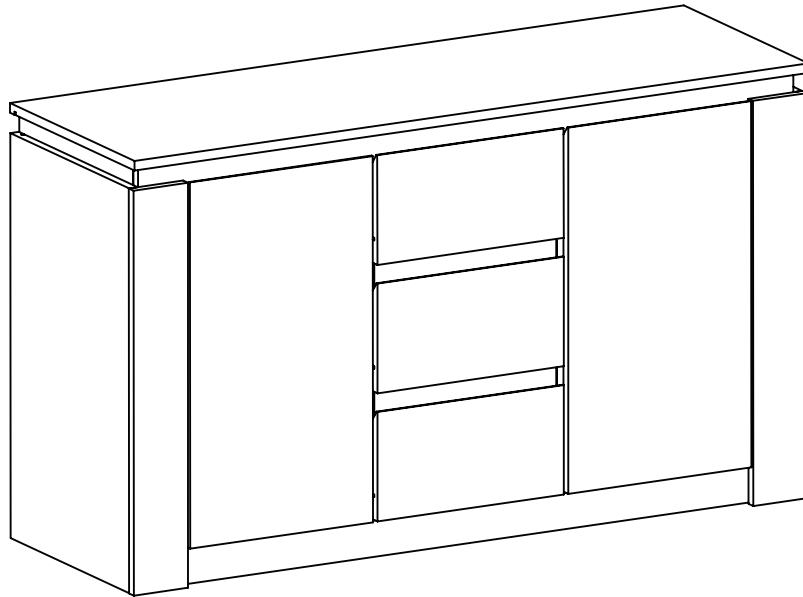


CANYON OAK SIDEBOARD ASSEMBLY INSTRUCTIONS

Thank you for purchasing the Canyon Oak Sideboard.

Please read the instructions carefully to ensure safe operation of this product.



Size: 119 x 39.5 x 70 cm (WDH)

Colours: Canyon Oak

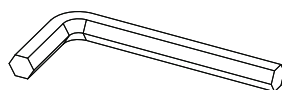
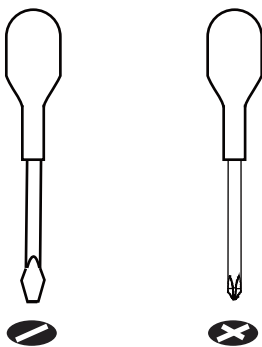
Finish: Paper Veneer

PLEASE READ this sheet prior to assembly to familiarise yourself with the various stages of construction.

Carefully open the pack supplied and check the contents against the parts and fittings check list. Do not destroy any of the packaging until you are certain that you have all the necessary parts for the assembly.

CAUTION: There are small components used in the construction of this unit. These loose items should be kept away from young children whilst assembling your unit to avoid the danger of choking.

Tools Required



Number of people



1.5 Hour
Set Up

CANYON OAK SIDEBBOARD ASSEMBLY INSTRUCTIONS

IMPORTANT - READ CAREFULLY - RETAIN THESE INSTRUCTIONS FOR FUTURE REFERENCE.

INFORMATION

- This product is designed to hold 20Kg in total. Do not exceed this weight.
- We recommend that this unit is assembled in the room intended for use.
- When you are ready to start, make sure that you have the right tools, plenty of space and a clean, dry area for assembly.
- Unwrap all packaging materials and place the components on top of the carton box or on a clean floor to prevent it from scratching.
- Check the pack and make sure you have all the parts listed.
- Ensure that this product is fully assembled as illustrated before use.
- Check all screws or bolts are tightened and inspect regularly
- Tools not included unless specified in parts list.

WARNINGS

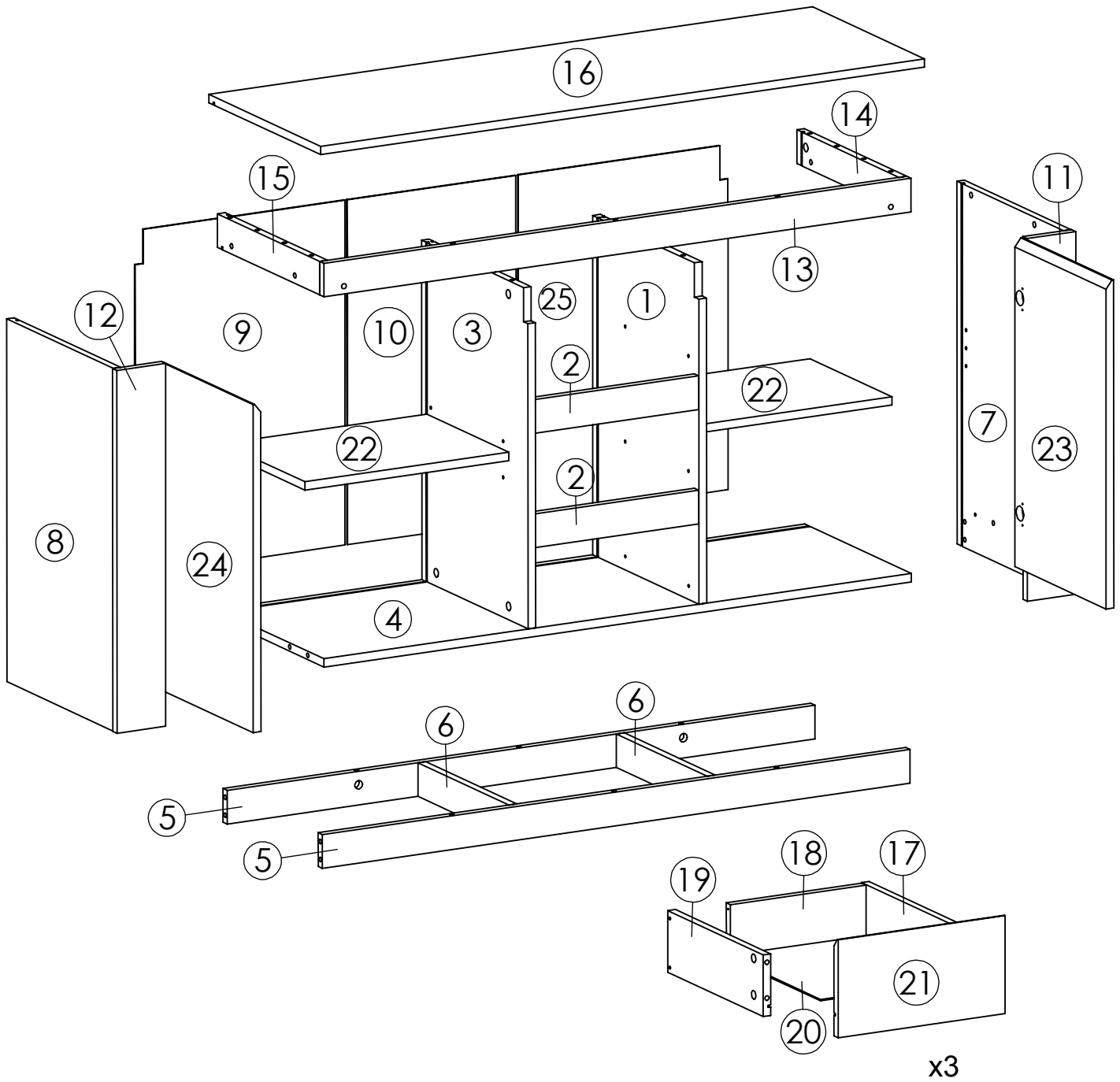
- This product should only be used on a firm and level floor.
- Keep small parts out of reach of children.
- Make sure the legs/base remain in contact with the floor.
- DO NOT use power tools to construct this product.
- DO NOT tighten screws until parts are assembled or as advised in this guide.
- DO NOT over tighten screws or bolts.
- DO NOT use this product if parts are missing, damaged or worn.
- DO NOT sit or stand on the product.

CARE INFORMATION

- Never use scourers, abrasives or chemical cleaners.
- To clean, wipe with a damp sponge and warm soapy water. Do not use solvent based cleaners or detergents as they can bleach or damage the product.

Parts and Fittings Checklist

Please check the pack contents before assembling the product. If any components are missing, please contact your retailer. The fittings pack contains small items that should be kept away from small children.



CANYON OAK SIDEBOARD ASSEMBLY INSTRUCTIONS

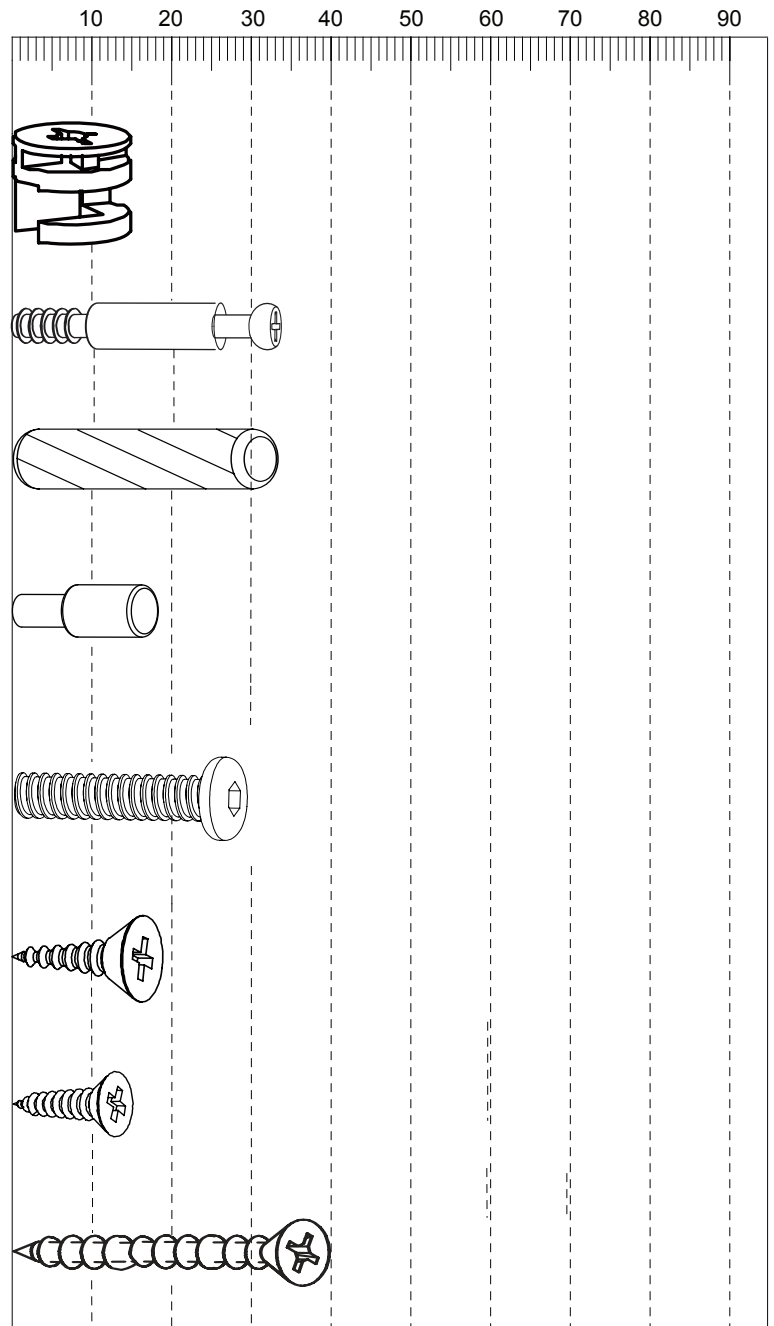
Parts are packed in two cartons

1	2	3
Description: RH Centre Upright Qty: 1 Carton No: 1/2	Description: Centre Cross Rail Qty: 2 Carton No: 2/2	Description: LH Centre Upright Qty: 1 Carton No: 1/2
4	5	6
Description: Base Panel Qty: 1 Carton No: 2/2	Description: Plinth Qty: 2 Carton No: 2/2	Description: Cross Plinth Qty: 2 Carton No: 2/2
7	8	9
Description: RH Side Panel Qty: 1 Carton No: 1/2	Description: LH Side Panel Qty: 1 Carton No: 1/2	Description: LH Back Panel Qty: 1 Carton No: 1/2
10	11	12
Description: Centre Back Panel Qty: 1 Carton No: 1/2	Description: RH Front Upright Qty: 1 Carton No: 1/2	Description: LH Front Upright Qty: 1 Carton No: 1/2
13	14	15
Description: Decor Rail Qty: 1 Carton No: 2/2	Description: RH Decor Rail Qty: 1 Carton No: 2/2	Description: LH Decor Rail Qty: 1 Carton No: 2/2
16	17	18
Description: Top Panel Qty: 1 Carton No: 2/2	Description: RH Drawer Side Qty: 3 Carton No: 2/2	Description: Drawer Back Qty: 3 Carton No: 2/2
19	20	21
Description: LH Drawer Side Qty: 3 Carton No: 2/2	Description: Drawer Base Qty: 3 Carton No: 1/2	Description: Drawer Front Qty: 1 Carton No: 1/2
		Qty: 2 Carton No: 2/2
22	23	24
Description: Adjustable Shelf Qty: 2 Carton No: 2/2	Description: RH Door Qty: 1 Carton No: 2/2	Description: LH Door Qty: 1 Carton No: 2/2
25		
Description: RH Back Panel Qty: 1 Carton No: 1/2		

CANYON OAK SIDEBOARD ASSEMBLY INSTRUCTIONS

Fittings (to scale)

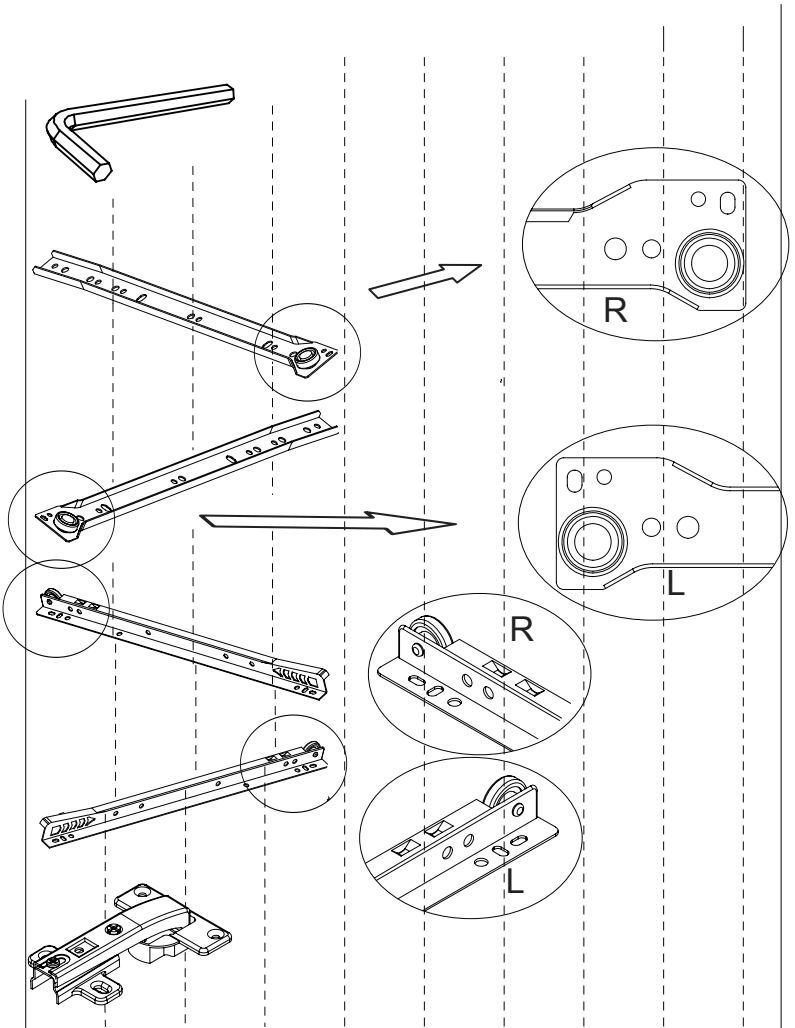
Code	Item	Quantity
A	Cam Lock	42
B	Cam Bolt	42
D	Dowel (8x30mm)	49
E	Shelf Support	8
F	Connection Screw (M6x25mm)	6
L	Screw for fitting Hinge (4x14mm)	16
M	Screw for fitting Runner (3.5x12.5mm)	24
N	Screw for assembling Drawer Back (3.5x40mm)	12



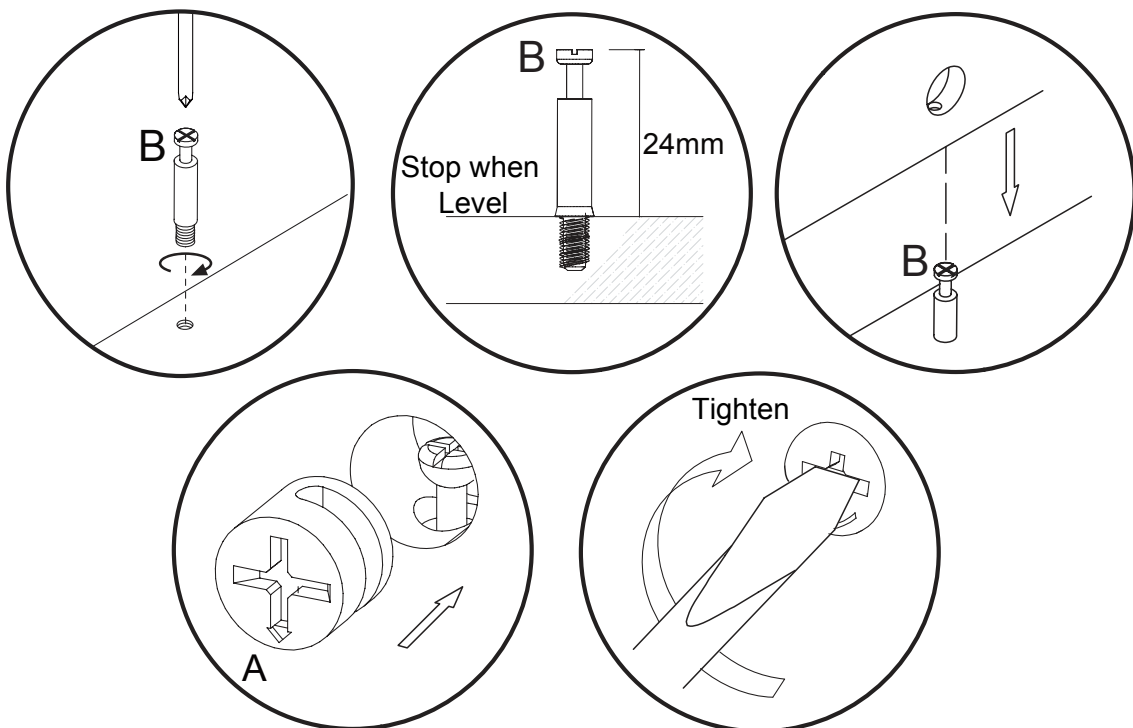
CANYON OAK SIDEBOARD ASSEMBLY INSTRUCTIONS

Fittings (not to scale)

Code	Item	Quantity
C	Allen Key 4mm	1
G	Outer Drawer Runner - Right	3
H	Outer Drawer Runner - Left	3
I	Inner Drawer Runner - Right	3
J	Inner Drawer Runner - Left	3
K	Hinge	4

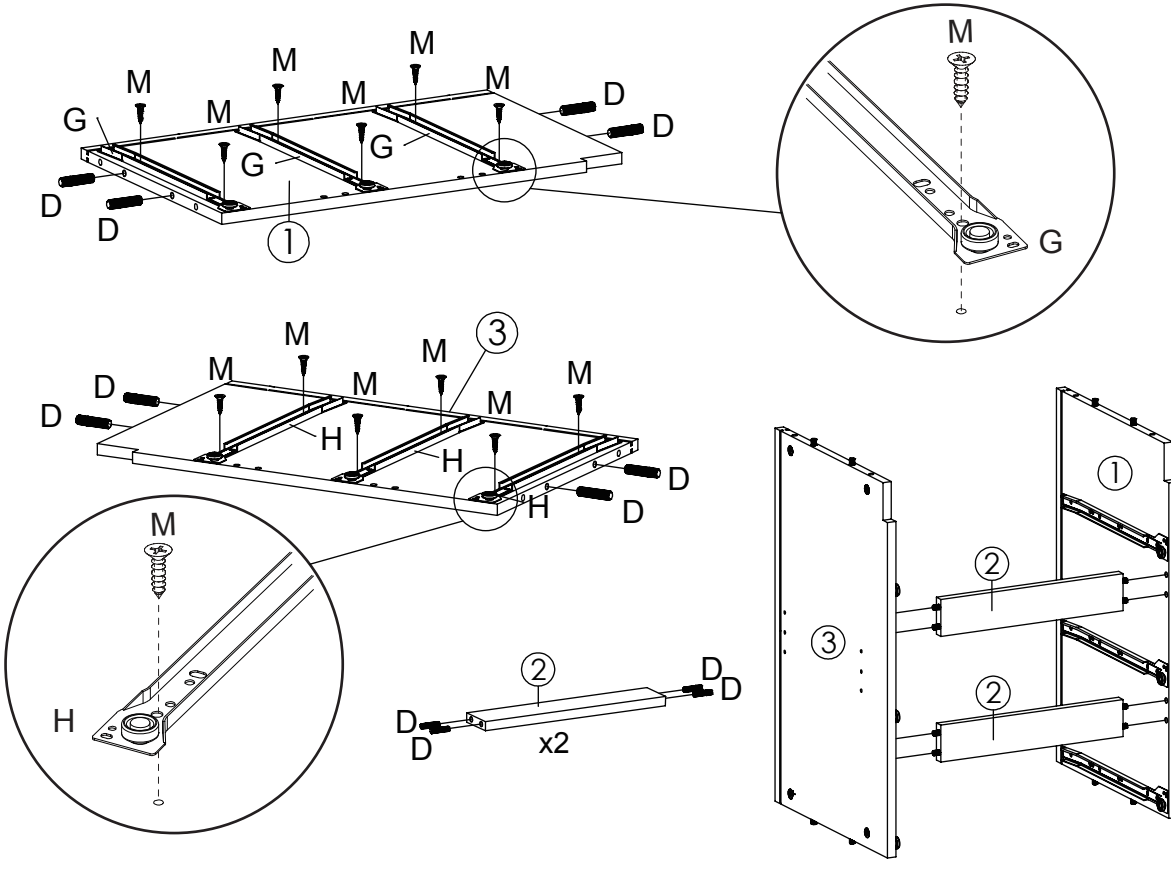


General Hints & Tips



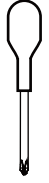
CANYON OAK SIDEBOARD ASSEMBLY INSTRUCTIONS

STEP 1

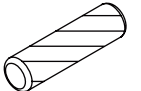


For this step:

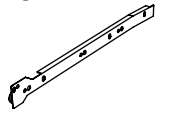
Tools required



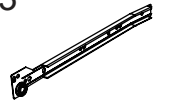
Fittings required



D x16



G x3

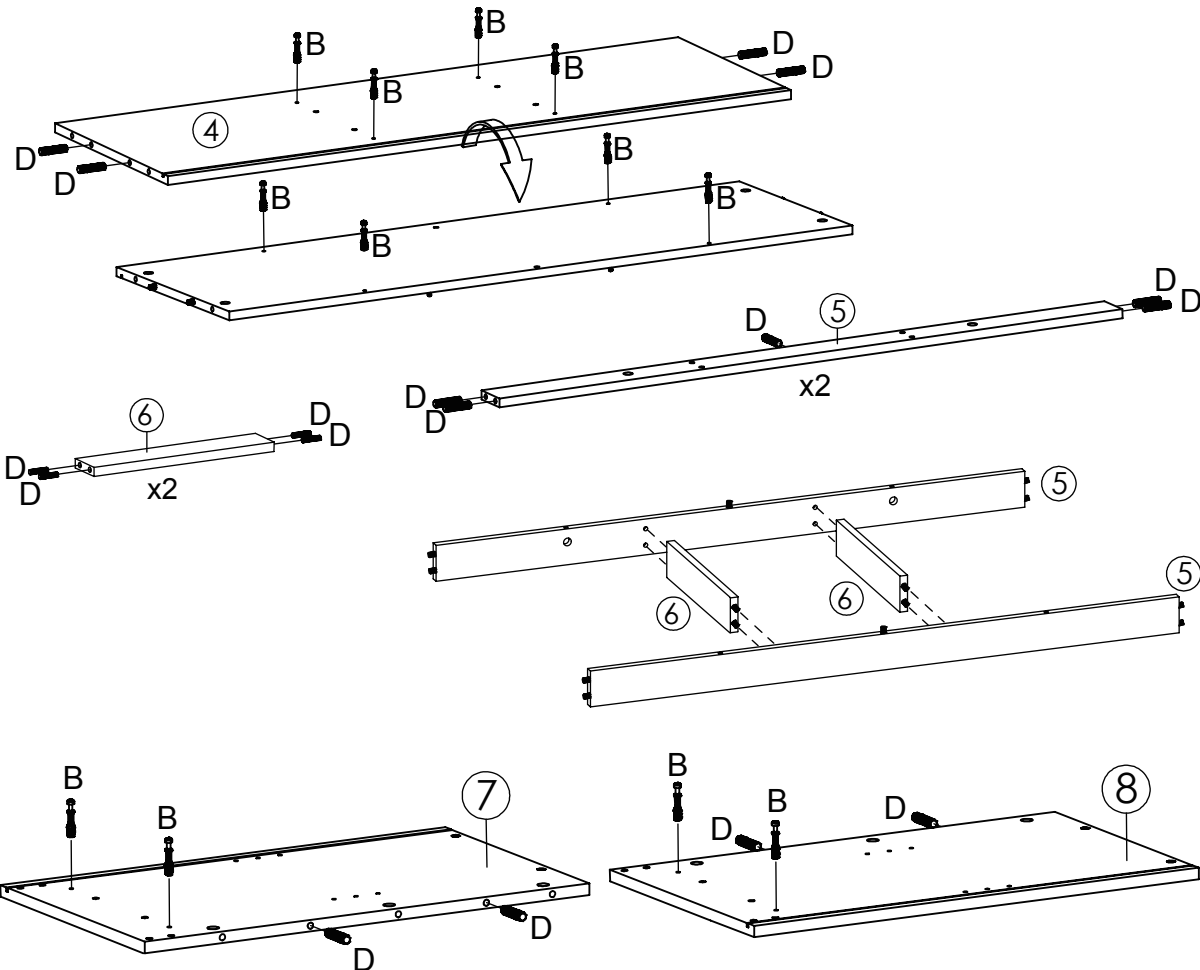


H x3



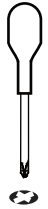
M x12

STEP 2

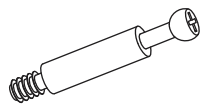


For this step:

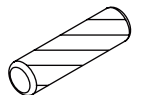
Tools required



Fittings required



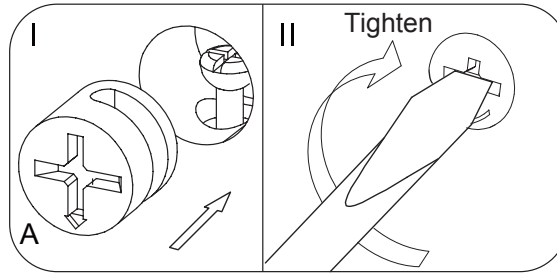
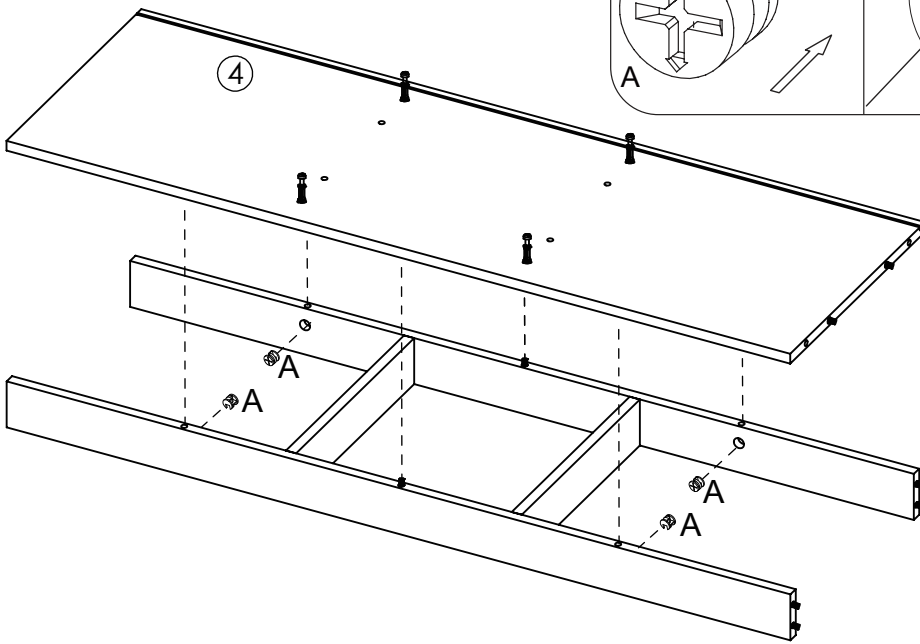
B x12



D x26

CANYON OAK SIDEBORD ASSEMBLY INSTRUCTIONS

STEP 3



For this step:

Tools required

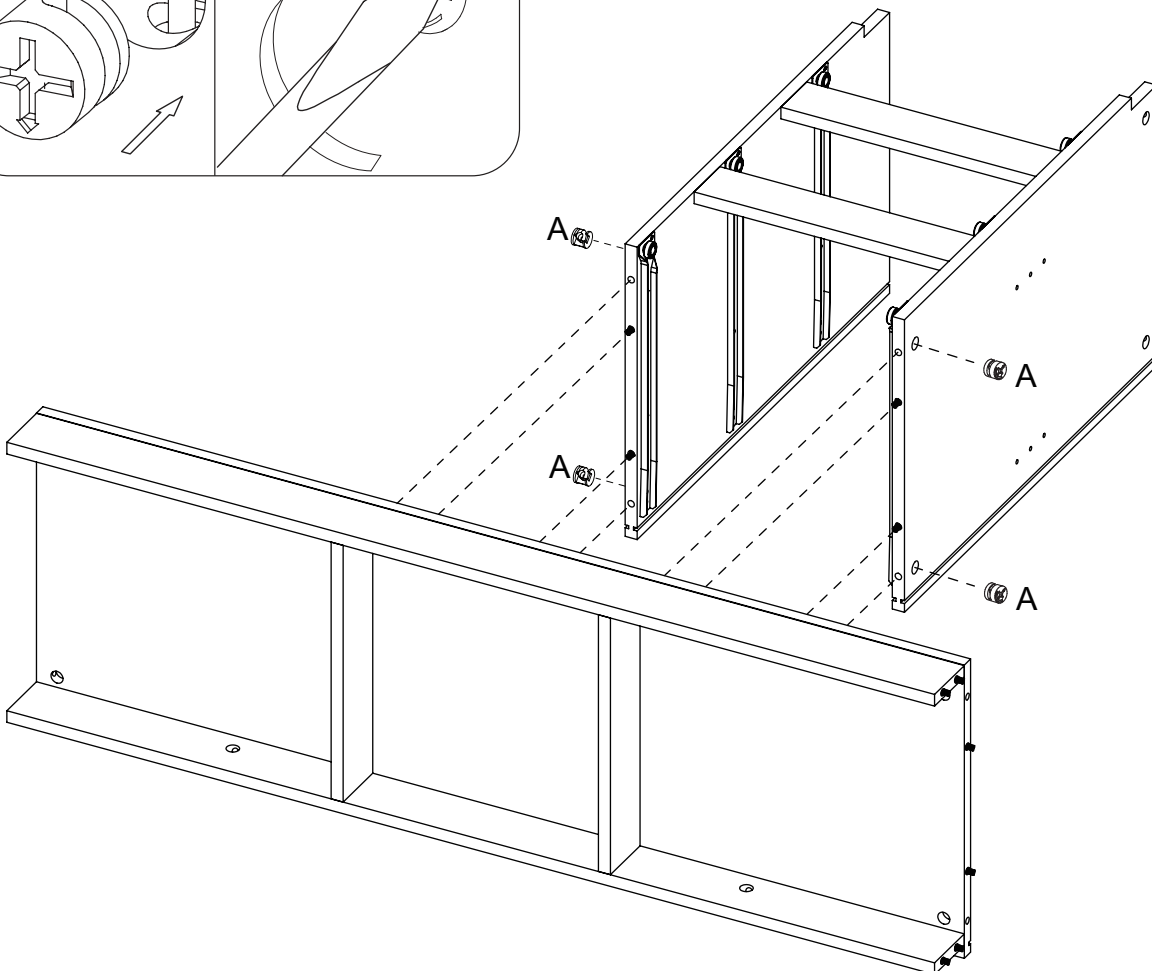
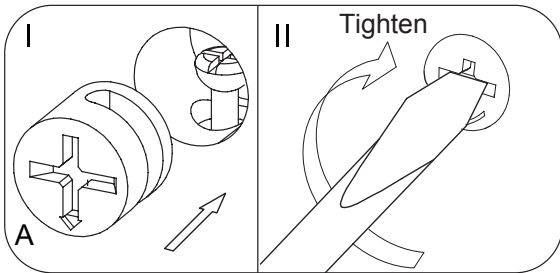


Fittings required



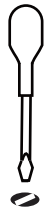
A x4

STEP 4



For this step:

Tools required



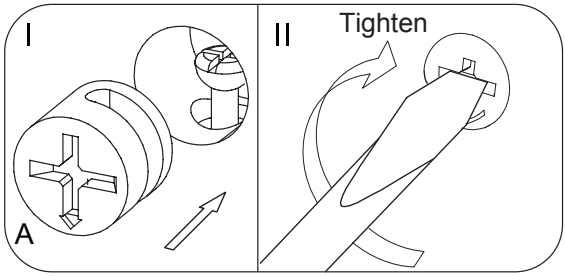
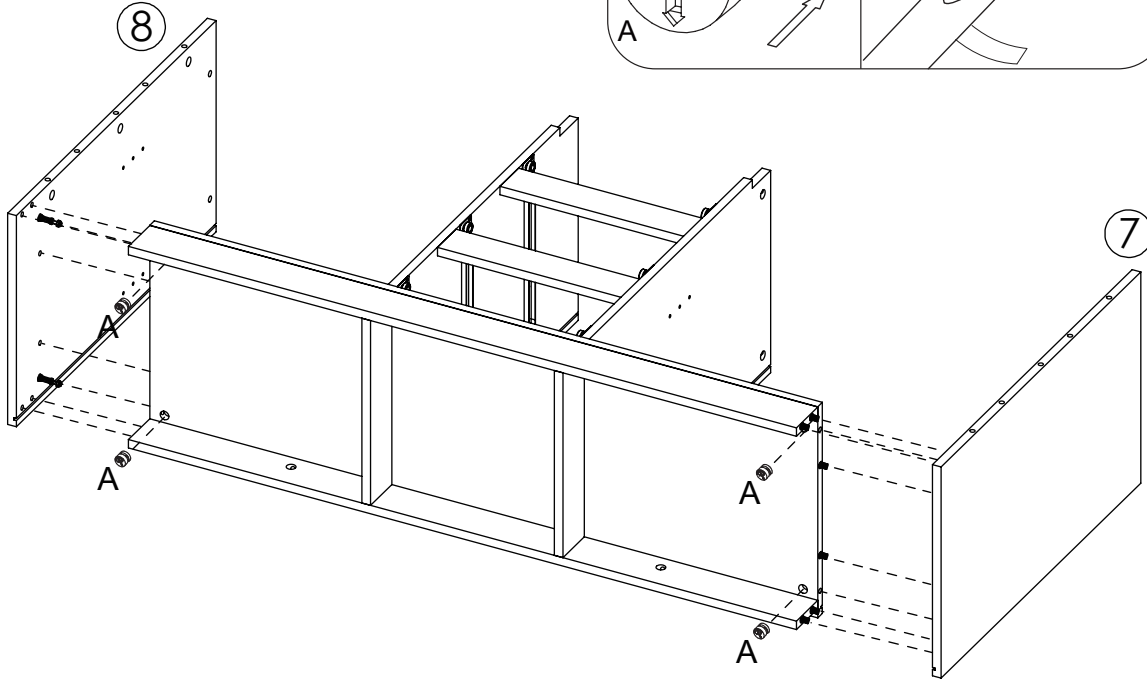
Fittings required



A x4

CANYON OAK SIDEBOARD ASSEMBLY INSTRUCTIONS

STEP 5

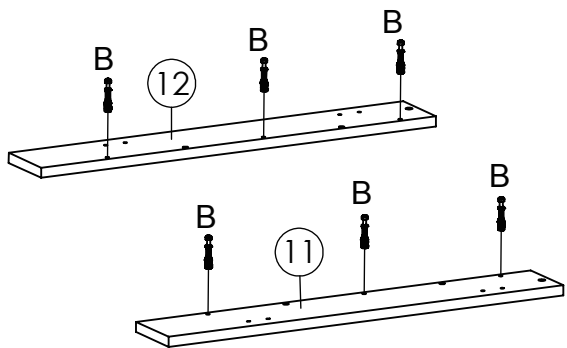
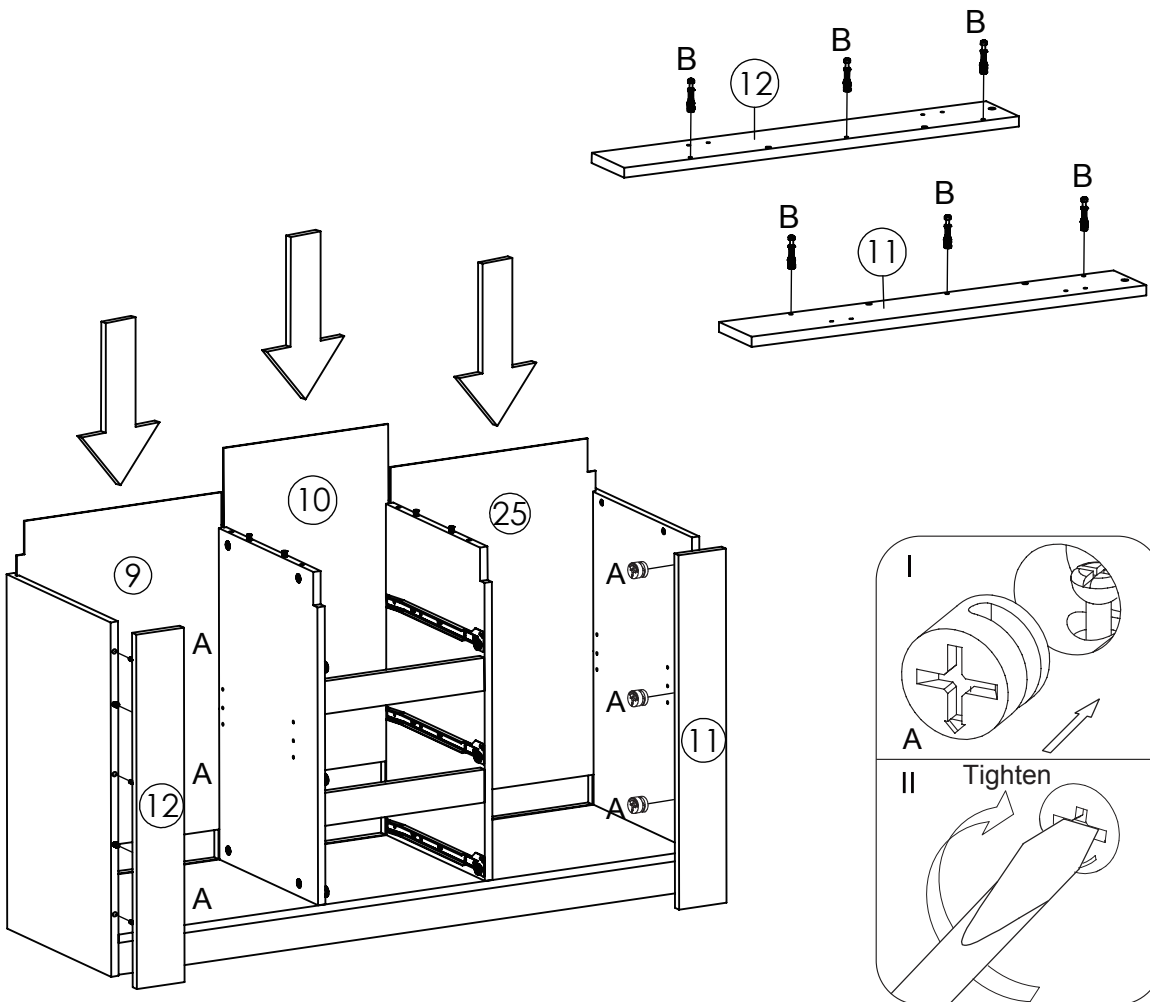


For this step:
Tools required

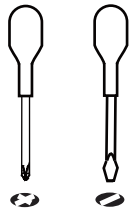
Fittings required



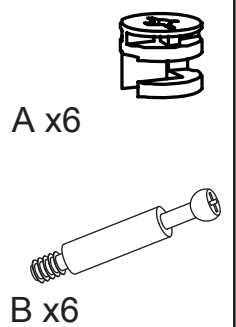
STEP 6



For this step:
Tools required

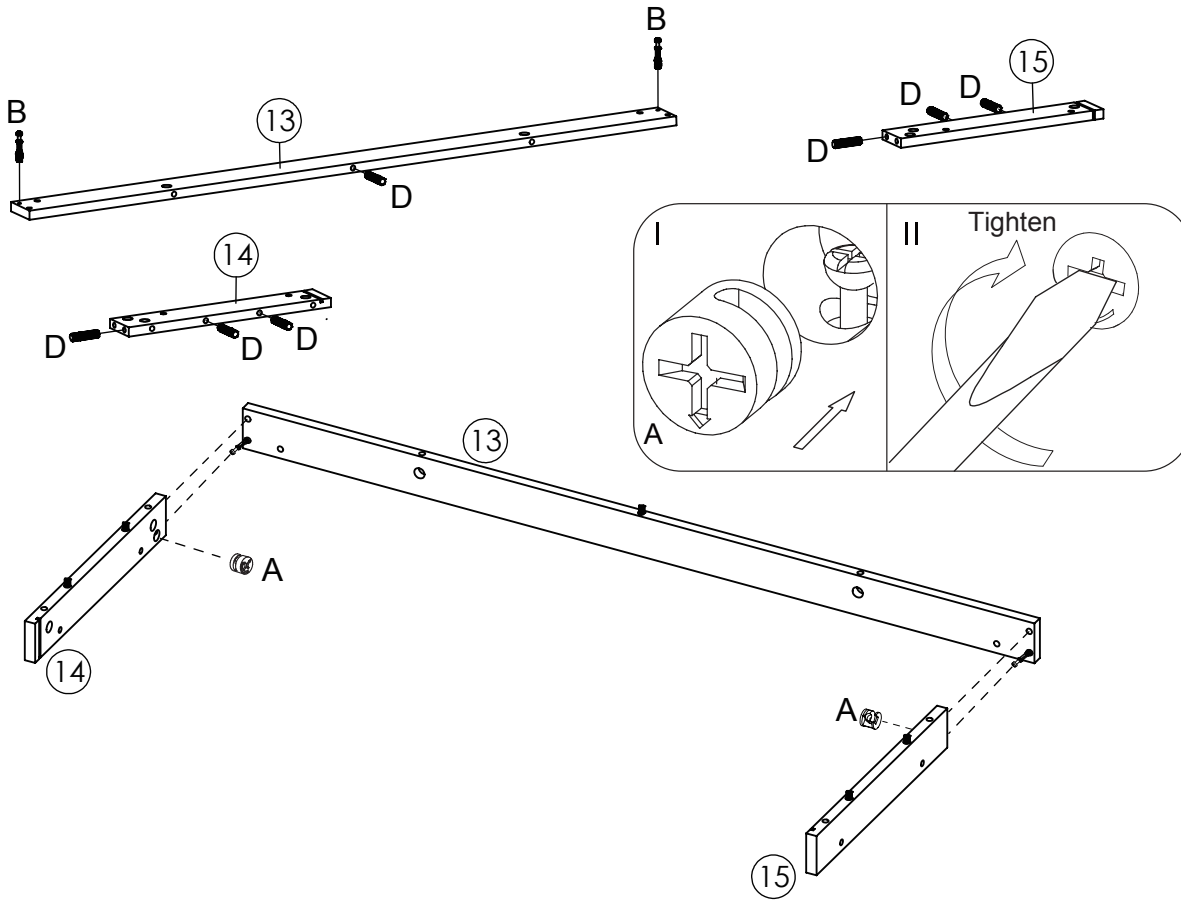


Fittings required



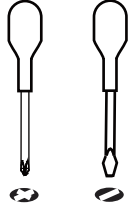
CANYON OAK SIDEBOARD ASSEMBLY INSTRUCTIONS

STEP 7

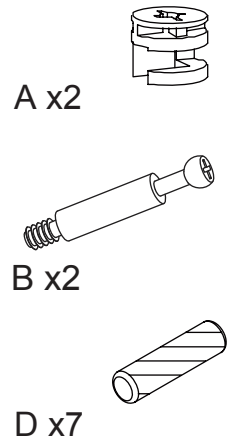


For this step:

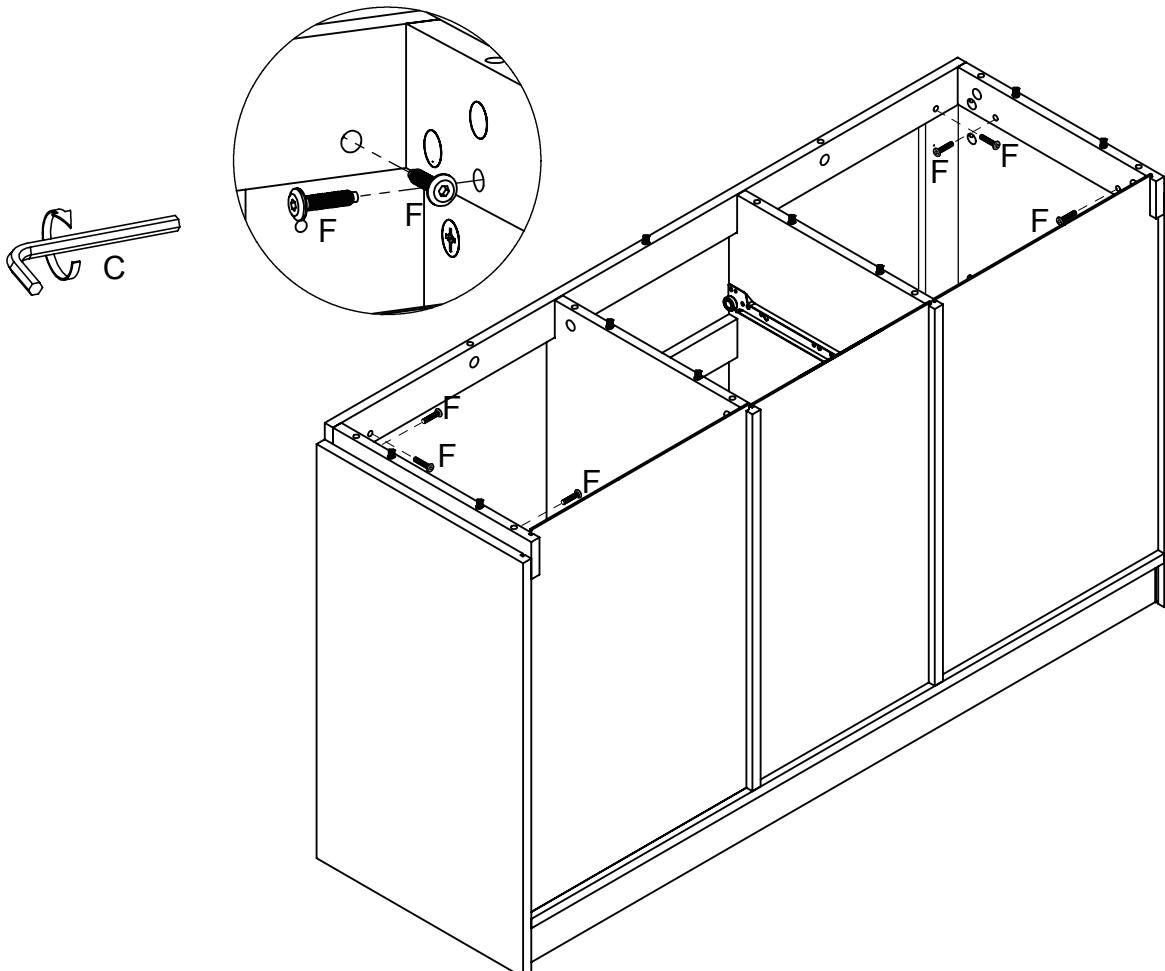
Tools required



Fittings required

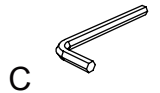


STEP 8

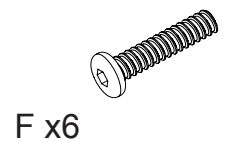


For this step:

Tools required



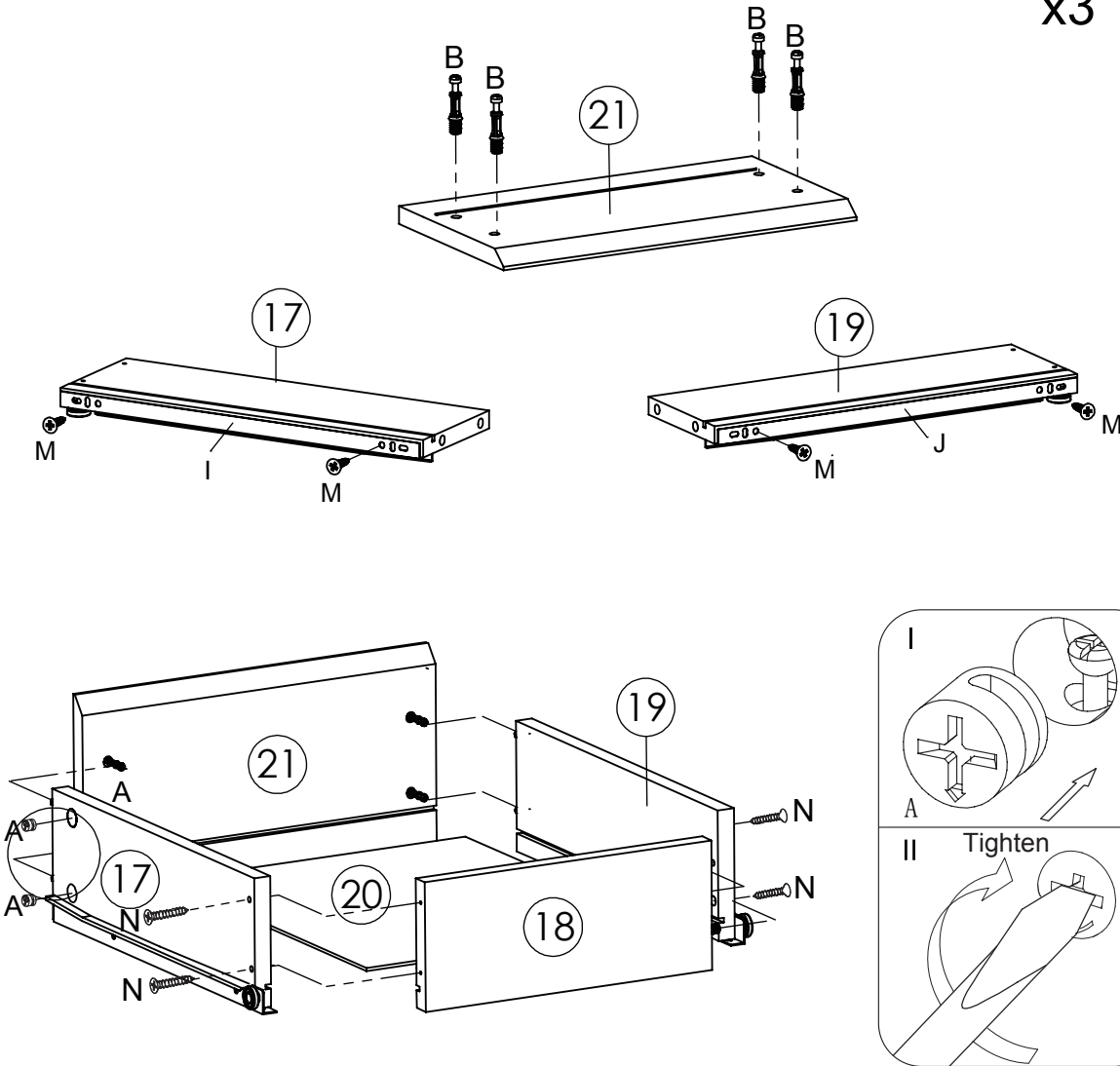
Fittings required



CANYON OAK SIDEBOARD ASSEMBLY INSTRUCTIONS

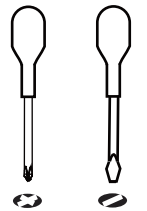
STEP 9

x3

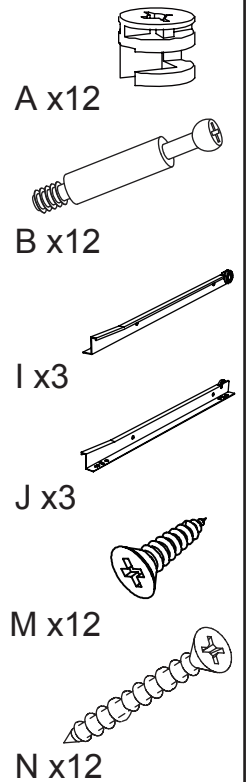


For this step:

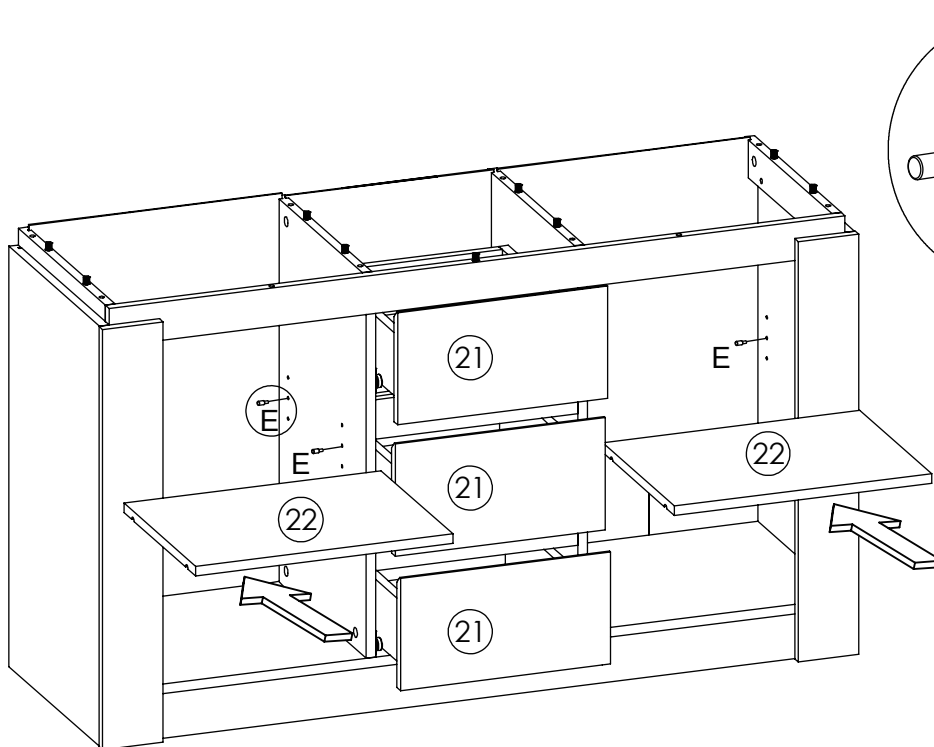
Tools required



Fittings required



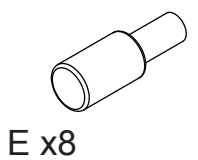
STEP 10



For this step:

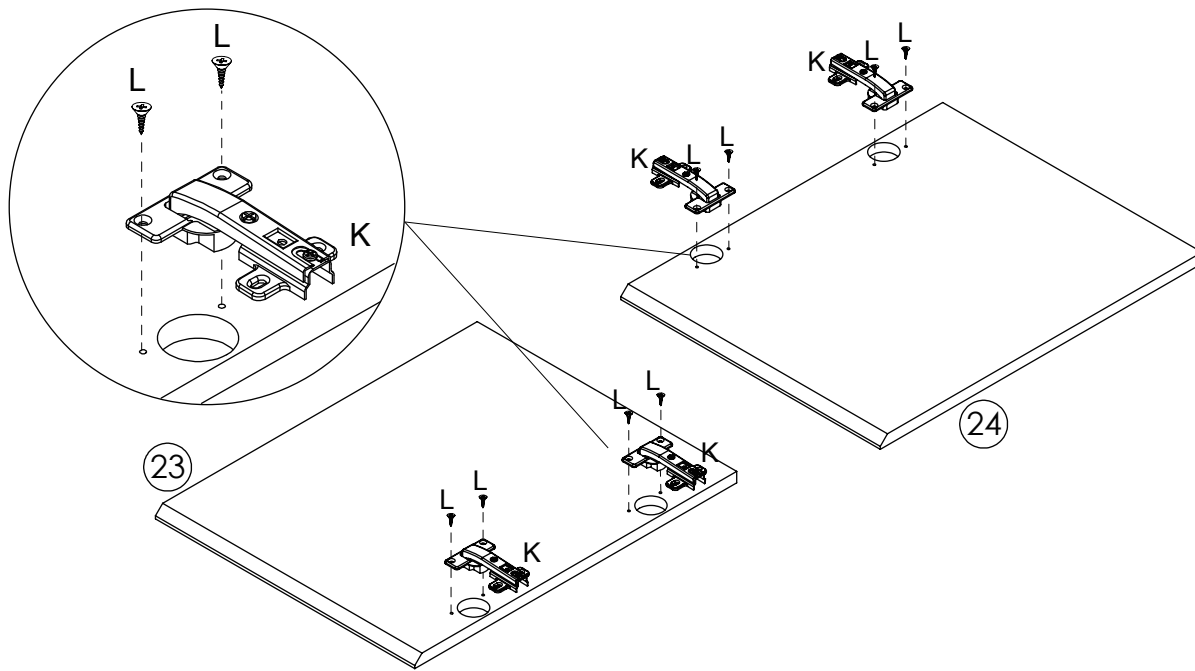
Tools required

Fittings required



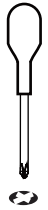
CANYON OAK SIDEBORD ASSEMBLY INSTRUCTIONS

STEP 11

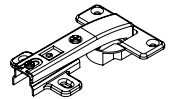


For this step:

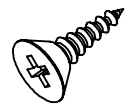
Tools required



Fittings required

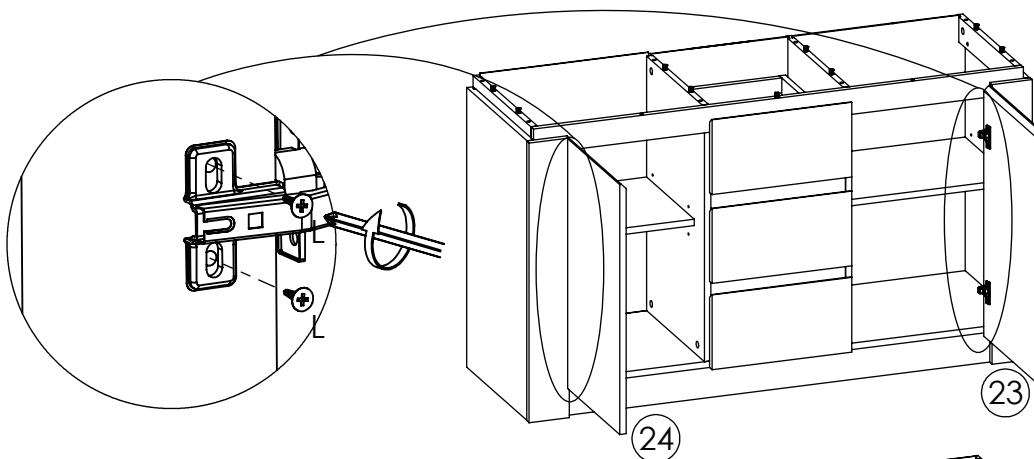


K x4



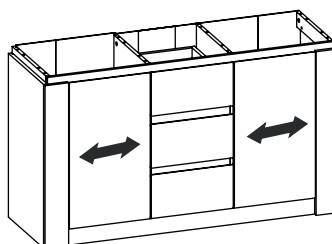
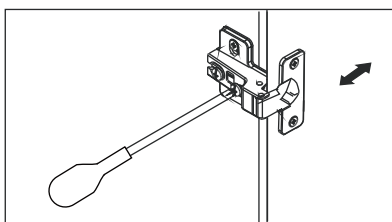
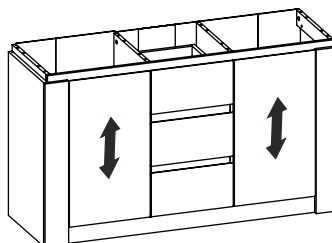
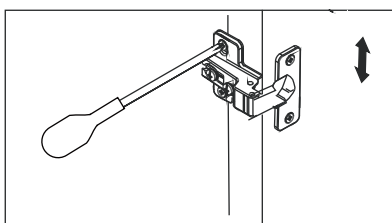
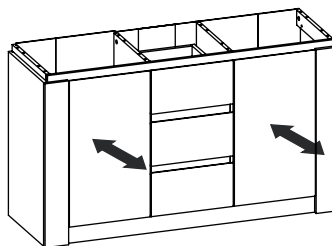
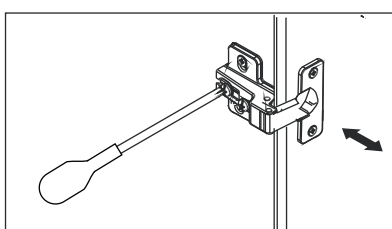
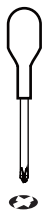
L x8

STEP 12



For this step:

Tools required



Fittings required

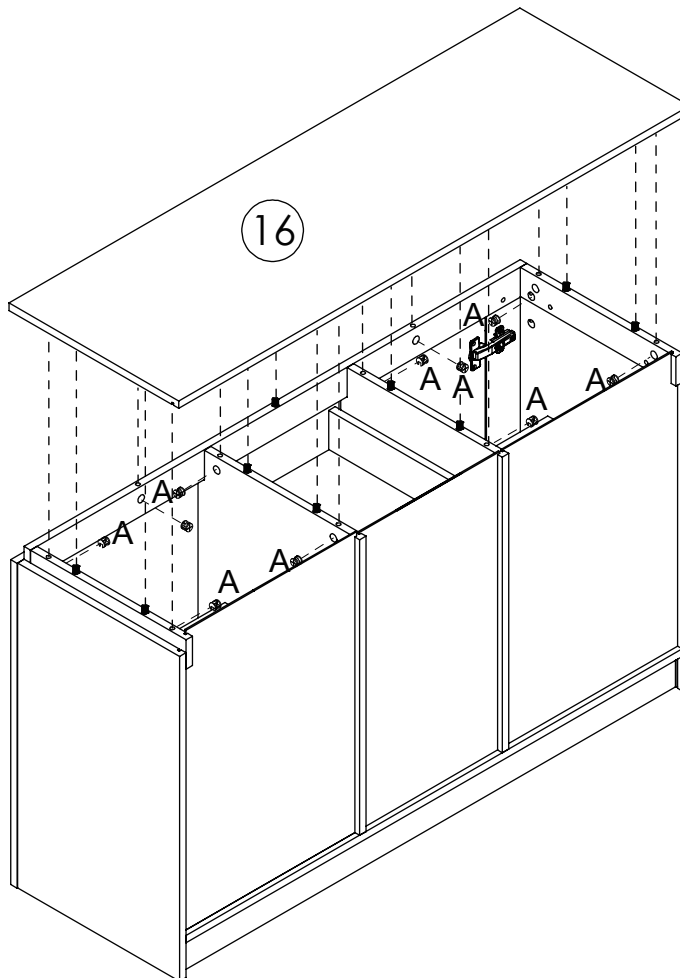
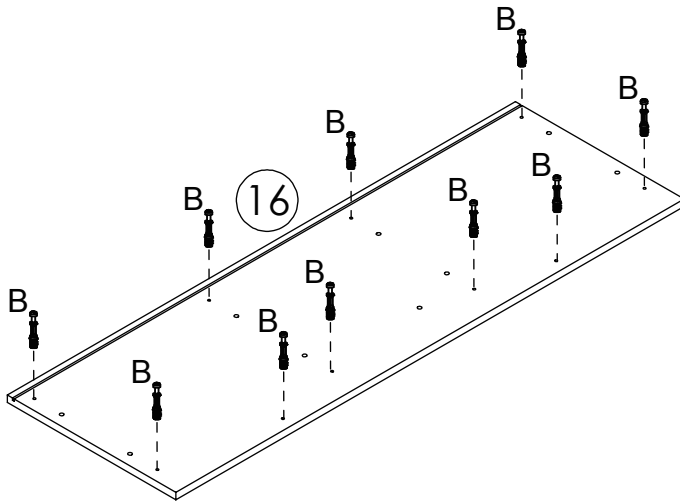
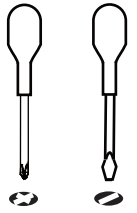


L x8

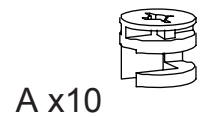
STEP 13

For this step:

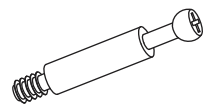
Tools required



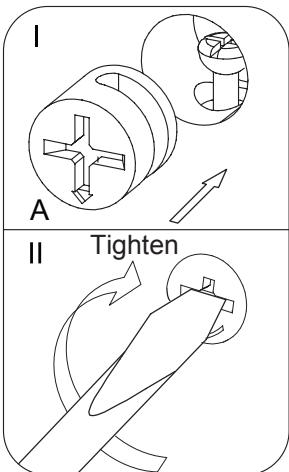
Fittings required



A x10



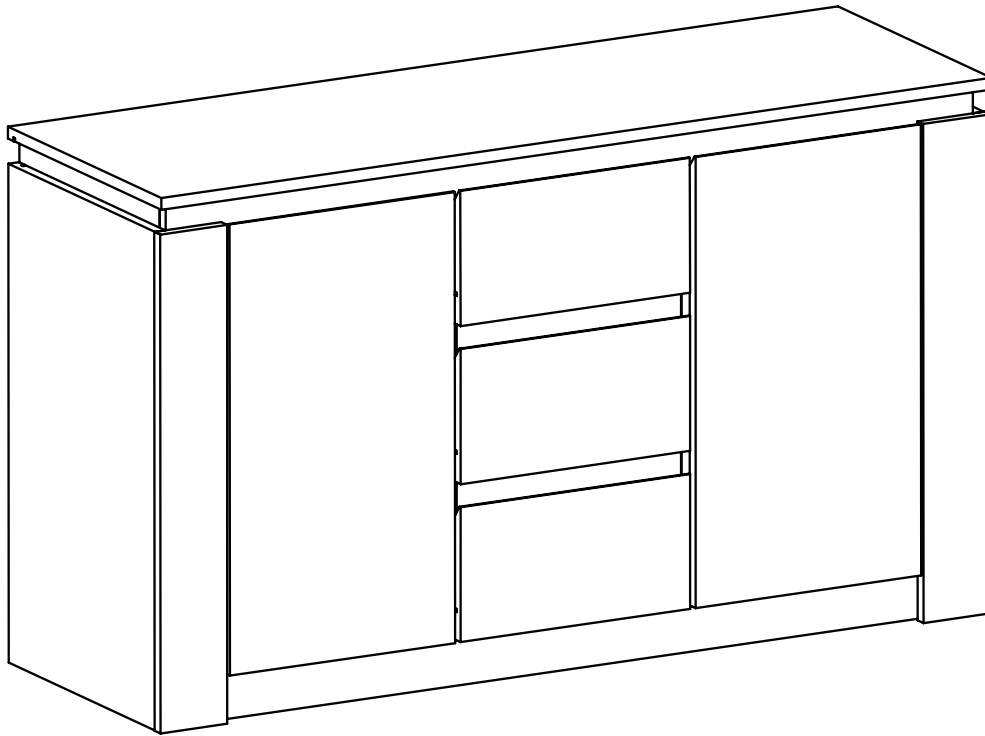
B x10



Assembly Completed

Your Canyon Oak Sideboard is now completely assembled.

Periodically check to ensure that the components are in their proper position, free from damage. Also, make sure the connectors are tight and secure.



Keep instructions for future reference

