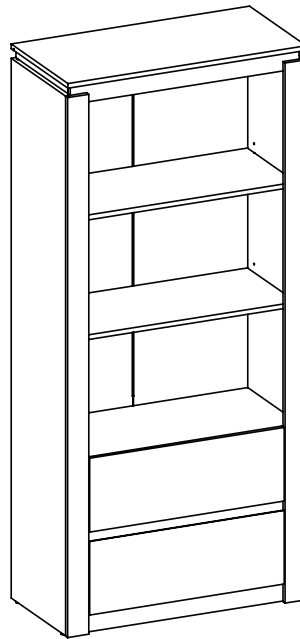


CANYON OAK BOOKCASE ASSEMBLY INSTRUCTIONS

Thank you for purchasing the Canyon Oak Bookcase.

Please read the instructions carefully to ensure safe operation of this product.



Size: 79.2 x 39.5 x 177.3 cm (WDH)

Colours: Canyon Oak

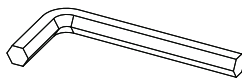
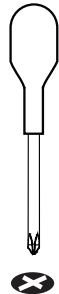
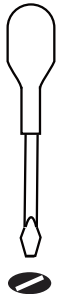
Finish: Paper Veneer

PLEASE READ this sheet prior to assembly to familiarise yourself with the various stages of construction.

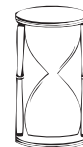
Carefully open the pack supplied and check the contents against the parts and fittings check list. Do not destroy any of the packaging until you are certain that you have all the necessary parts for the assembly.

CAUTION: There are small components used in the construction of this unit. These loose items should be kept away from young children whilst assembling your unit to avoid the danger of choking.

Tools Required



Number of people



1.5 Hour
Set Up

Batch No. 221511

Page 1 of 15

CANYON OAK BOOKCASE ASSEMBLY INSTRUCTIONS

IMPORTANT - READ CAREFULLY - RETAIN THESE INSTRUCTIONS FOR FUTURE REFERENCE.

INFORMATION

- This product is designed to store 20Kg in total. Do not exceed this weight.
- We recommend that this unit is assembled in the room intended for use.
- When you are ready to start, make sure that you have the right tools, plenty of space and a clean, dry area for assembly.
- Unwrap all packaging materials and place the components on top of the carton box or on a clean floor to prevent it from scratching.
- Check the pack and make sure you have all the parts listed.
- Ensure that this product is fully assembled as illustrated before use.
- Check all screws or bolts are tightened and inspect regularly
- Tools not included unless specified in parts list.

WARNINGS

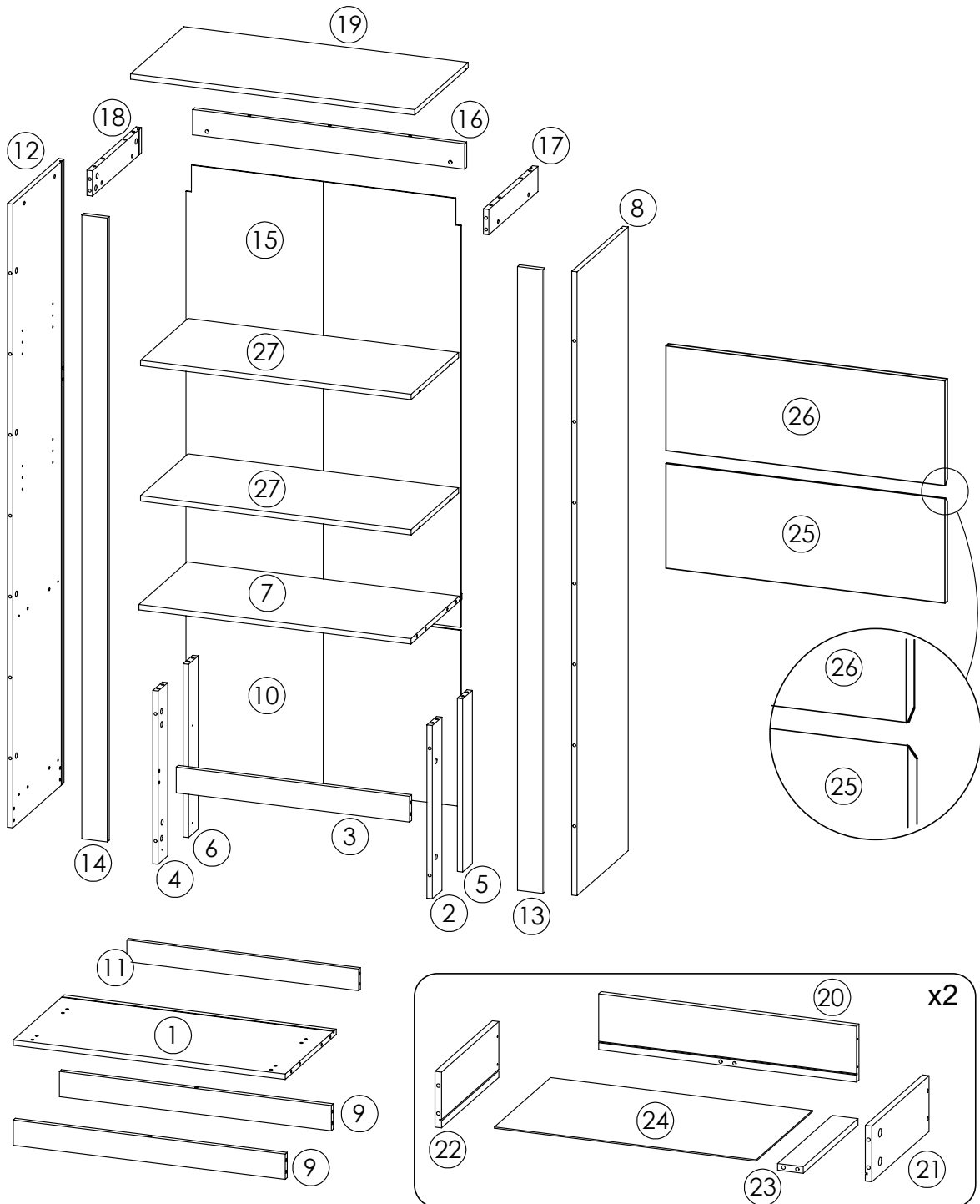
- This product should only be used on a firm and level floor.
- Use the anti-tilt strap (L) - this is an important safety device to prevent accidents
- Keep small parts out of reach of children.
- Make sure the base/legs remain in contact with the floor.
- DO NOT use power tools to construct this product.
- DO NOT tighten screws until parts are assembled or as advised in this guide.
- DO NOT over tighten screws or bolts.
- DO NOT use this product if parts are missing, damaged or worn.
- DO NOT sit or climb on the product.

CARE INFORMATION

- Never use scourers, abrasives or chemical cleaners.
- To clean, wipe with a damp sponge and warm soapy water. Do not use solvent based cleaners or detergents as they can bleach or damage the product.

CANYON OAK BOOKCASE WITH 2 DRAWERS ASSEMBLY INSTRUCTIONS

Please check the pack contents before assembling the product. If any components are missing, please contact your retailer. The fittings pack contains small items that should be kept away from small children.



CANYON OAK BOOKCASE ASSEMBLY INSTRUCTIONS

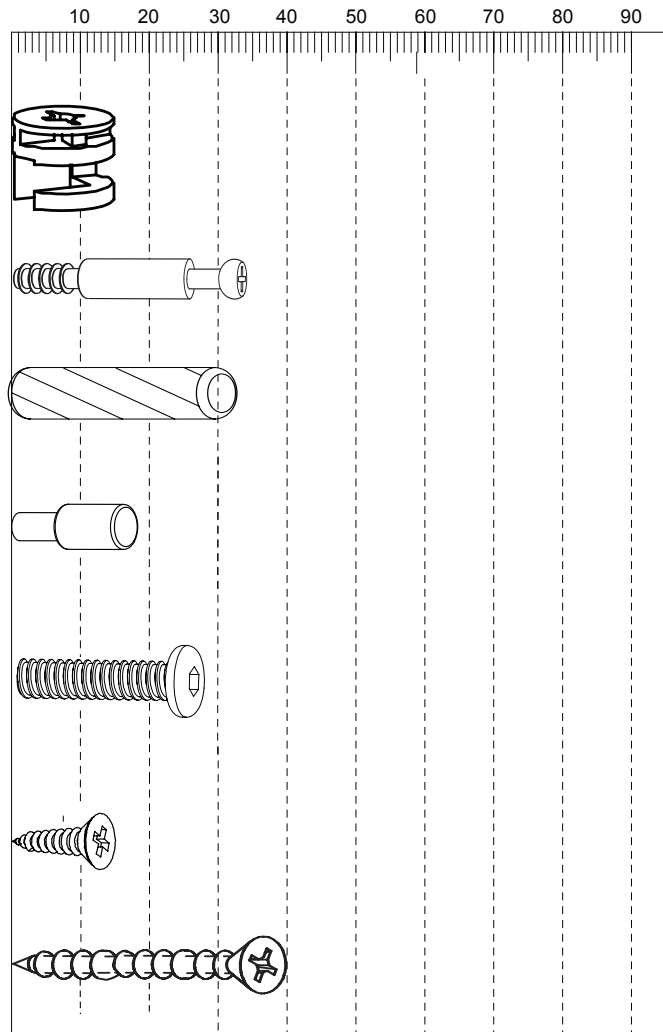
Parts are packed in two cartons

1	2	3
Description: Drawer Unit Base Panel Qty: 1 Carton No: 1/2	Description: Drawer Unit RH Front Upright Qty: 1 Carton No: 1/2	Description: Drawer Unit Front Rail Qty: 1 Carton No: 2/2
4	5	6
Description: Drawer Unit LH Front Upright Qty: 1 Carton No: 1/2	Description: Drawer Unit RH Rear Upright Qty: 1 Carton No: 1/2	Description: Drawer Unit LH Rear Upright Qty: 1 Carton No: 1/2
7	8	9
Description: Drawer Unit Top Panel Qty: 1 Carton No: 1/2	Description: Right Side Panel Qty: 1 Carton No: 2/2	Description: Plinth Qty: 2 Carton No: 2/2
10	11	12
Description: Drawer Unit Back Panels Qty: 2 Carton No: 2/2	Description: Back Rail Qty: 1 Carton No: 2/2	Description: Left Side Panel Qty: 1 Carton No: 2/2
13	14	15
Description: RH Front Upright Qty: 1 Carton No: 2/2	Description: LH Front Upright Qty: 1 Carton No: 2/2	Description: Upper Back Panel Qty: 2 Carton No: 2/2
16	17	18
Description: Front Decor Rail Qty: 1 Carton No: 2/2	Description: RH Decor Rail Qty: 1 Carton No: 2/2	Description: LH Decor Rail Qty: 1 Carton No: 1/2
19	20	21
Description: Top Panel Qty: 1 Carton No: 1/2	Description: Drawer Back Qty: 2 Carton No: 1/2	Description: RH Drawer Side Panel Qty: 2 Carton No: 1/2
22	23	24
Description: LH Drawer Side Panel Qty: 2 Carton No: 1/2	Description: Support Rail for Drawer Base Qty: 2 Carton No: 2/2	Description: Drawer Base Qty: 2 Carton No: 2/2
25	26	27
Description: Drawer Front- Lower Qty: 1 Carton No: 1/2	Description: Drawer Front- Upper Qty: 1 Carton No: 1/2	Description: Adjustable Shelf Qty: 2 Carton No: 1/2

CANYON OAK BOOKCASE ASSEMBLY INSTRUCTIONS

Fittings (to scale)

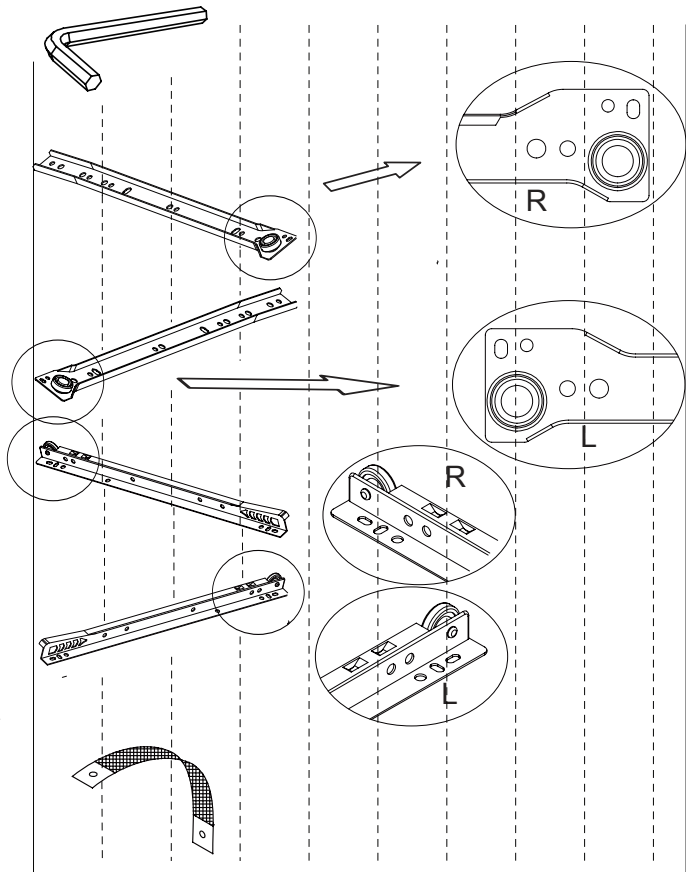
Code	Item	Quantity
A	Cam Lock	38
B	Cam Bolt (35mm overall)	38
D	Dowel (8x30mm)	61
E	Shelf Support	8
F	Connection Screw (M6x25mm)	6
K	Screws for fitting Drawer Runner & Anti-tilt Strap (3.5x12mm)	17
M	Screws for fitting Drawer Back (3.5x40mm)	8



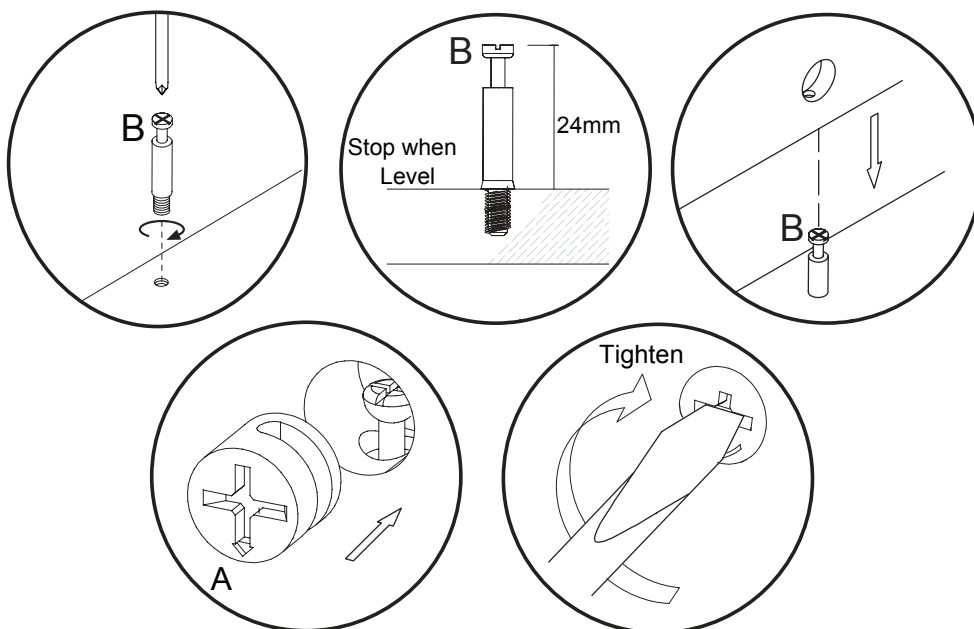
CANYON OAK BOOKCASE ASSEMBLY INSTRUCTIONS

Fittings (not to scale)

Code	Item	Quantity
C	Allen Key 4mm	1
G	Outer Drawer Runner - Right	2
H	Outer Drawer Runner - Left	2
I	Inner Drawer Runner - Right	2
J	Inner Drawer Runner - Left	2
L	Anti-tilt Strap	1

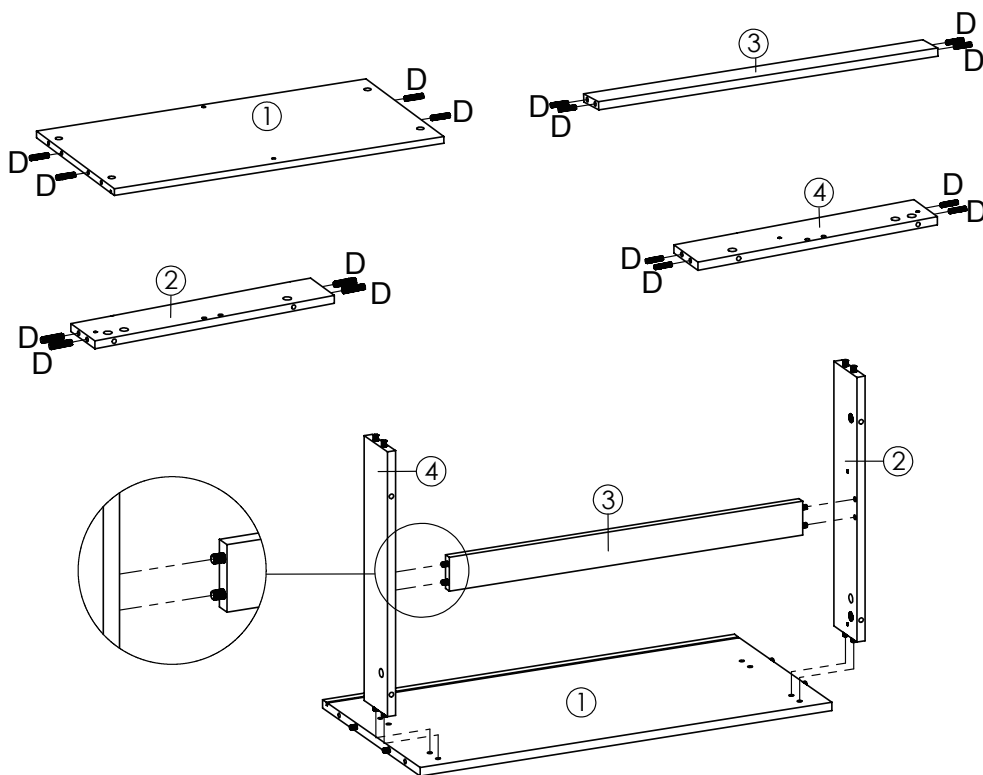


General Hints & Tips



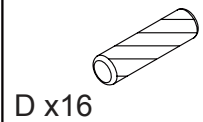
CANYON OAK BOOKCASE ASSEMBLY INSTRUCTIONS

STEP 1

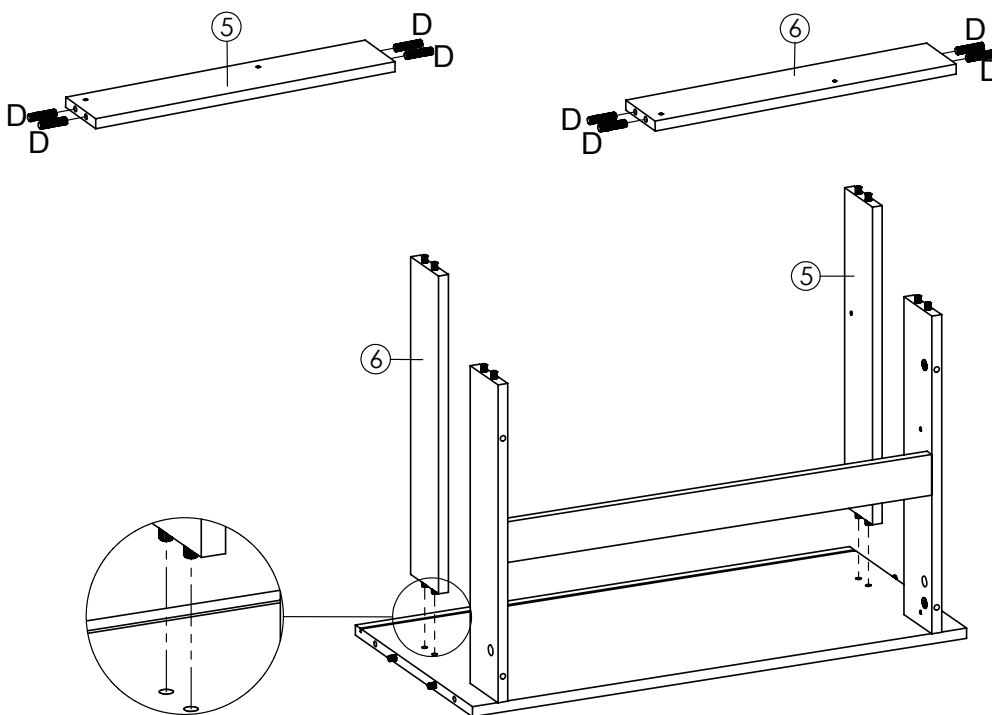


For this step:
Tools required

Fittings required

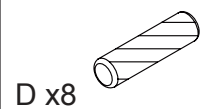


STEP 2



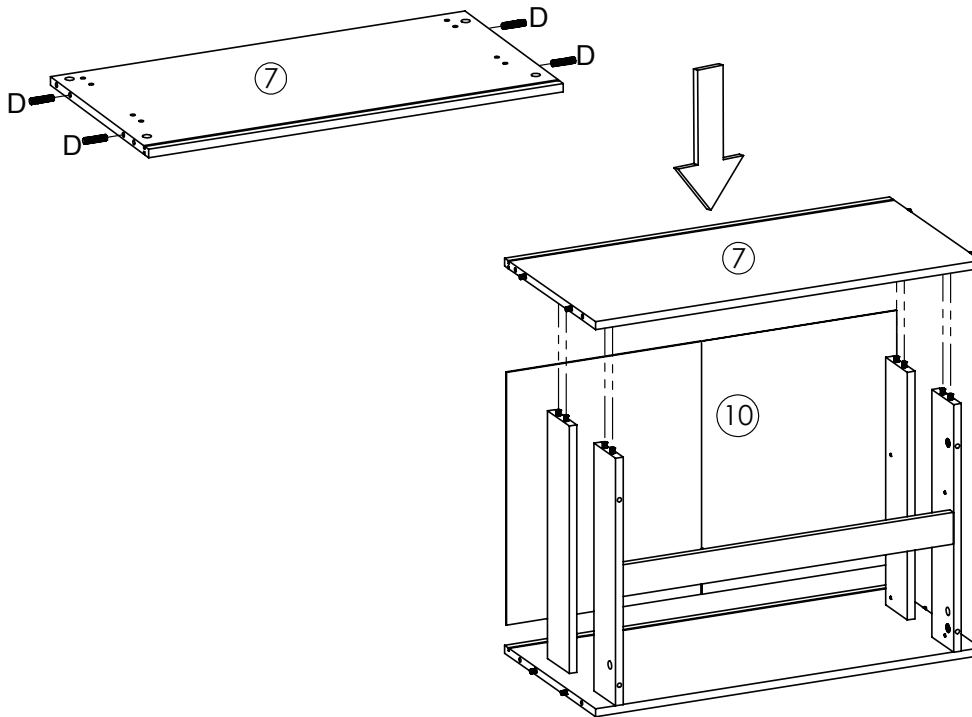
For this step:
Tools required

Fittings required



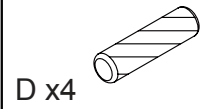
CANYON OAK BOOKCASE ASSEMBLY INSTRUCTIONS

STEP 3

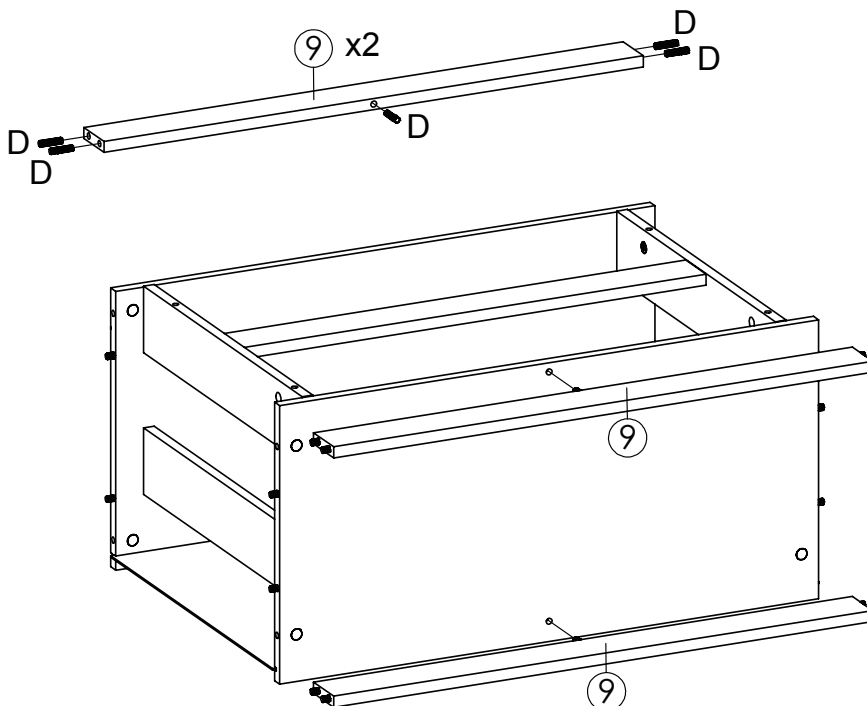


For this step:
Tools required

Fittings required

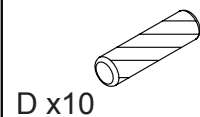


STEP 4



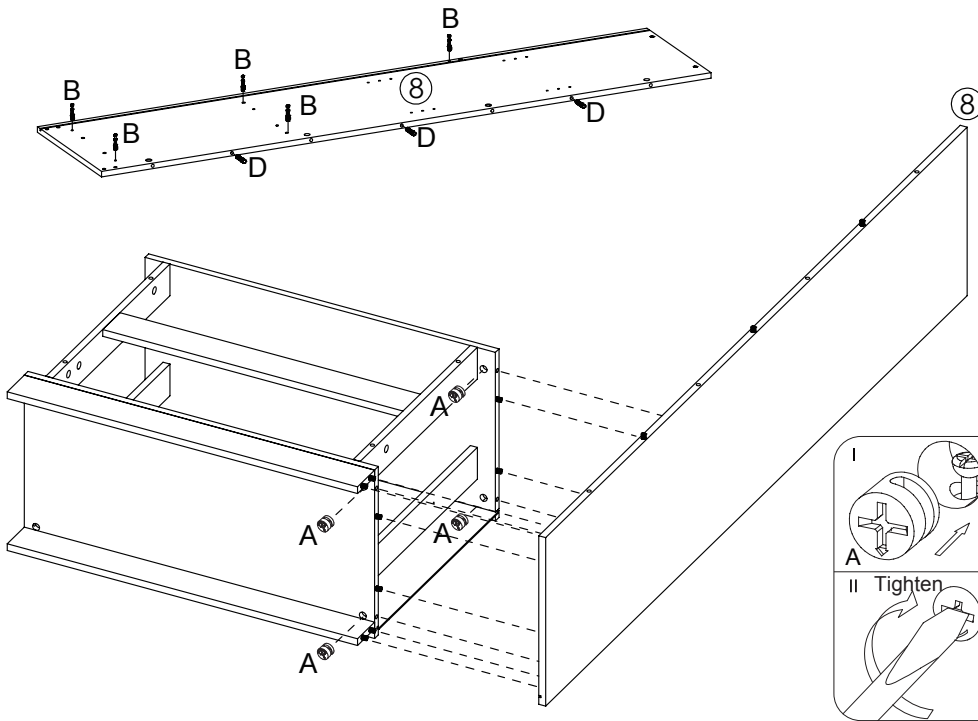
For this step:
Tools required

Fittings required



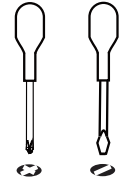
CANYON OAK BOOKCASE ASSEMBLY INSTRUCTIONS

STEP 5

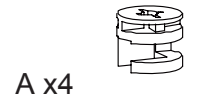


For this step:

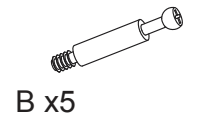
Tools required



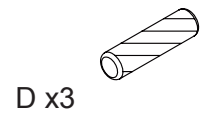
Fittings required



A x4

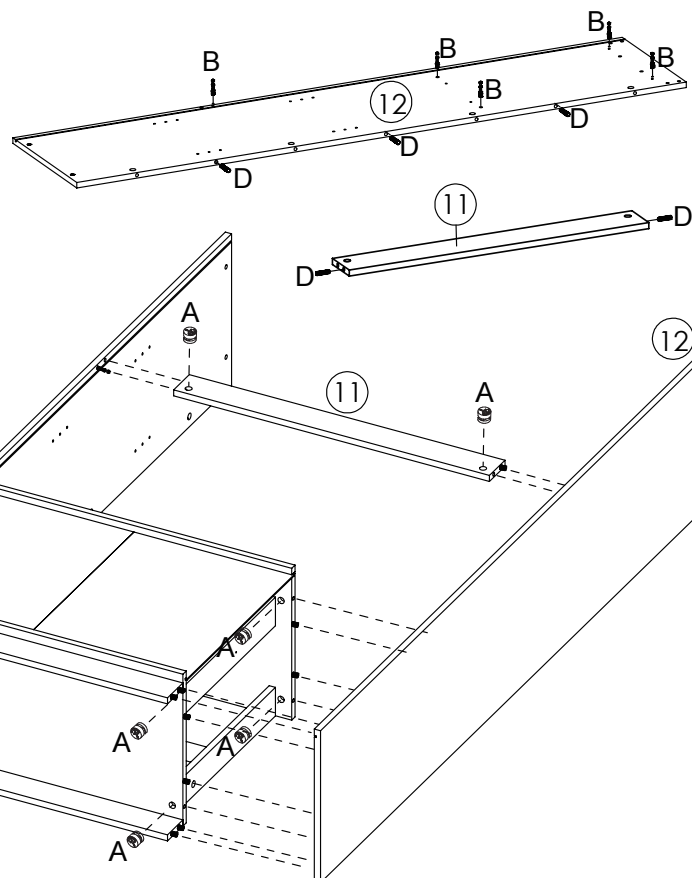
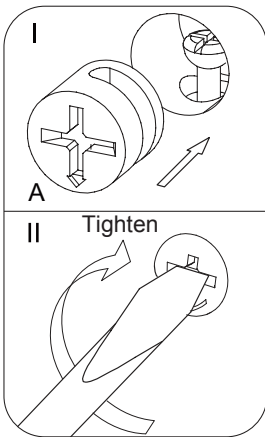


B x5



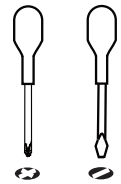
D x3

STEP 6

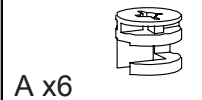


For this step:

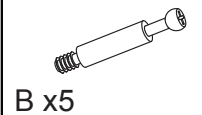
Tools required



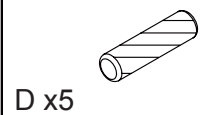
Fittings required



A x6



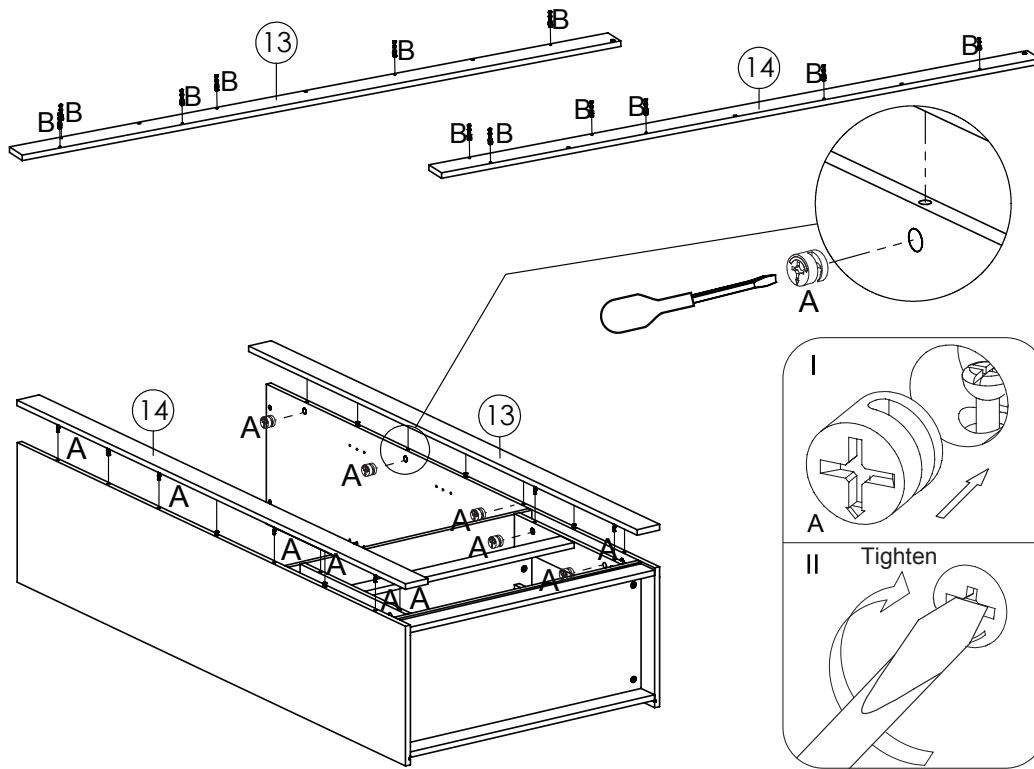
B x5



D x5

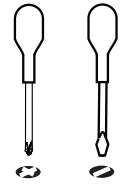
CANYON OAK BOOKCASE ASSEMBLY INSTRUCTIONS

STEP 7

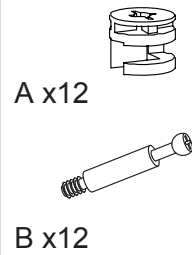


For this step:

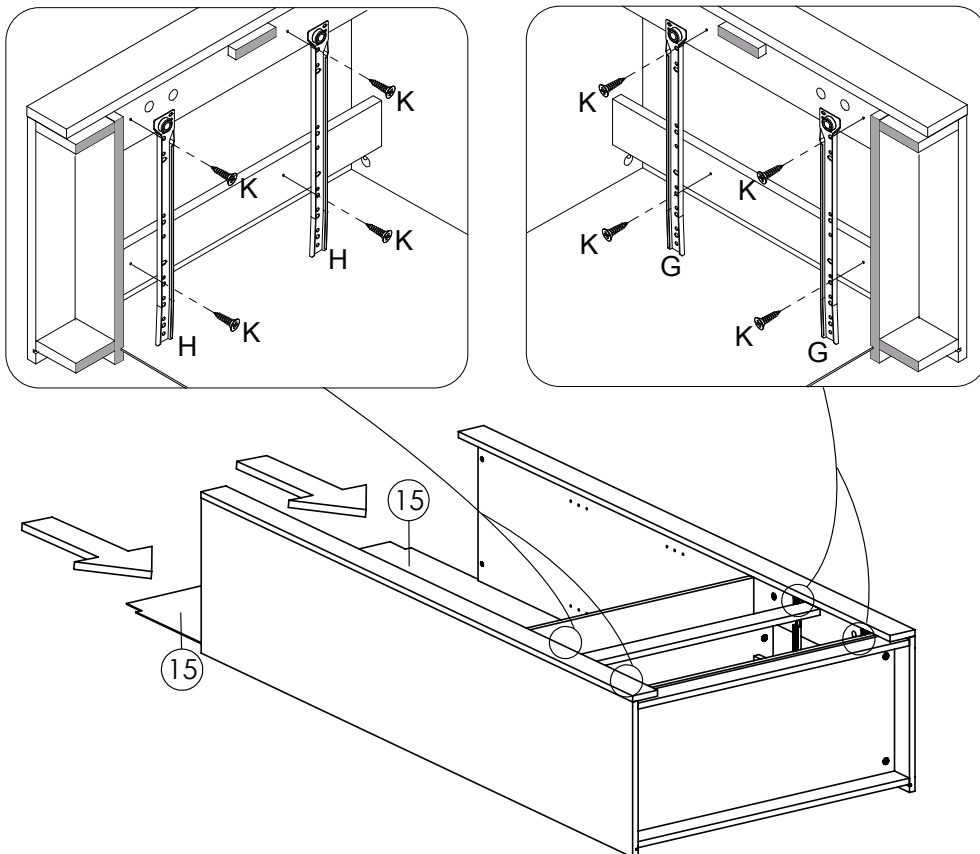
Tools required



Fittings required

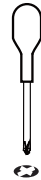


STEP 8

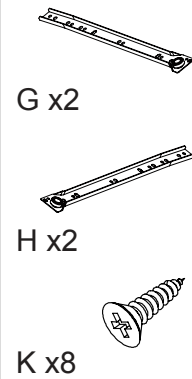


For this step:

Tools required

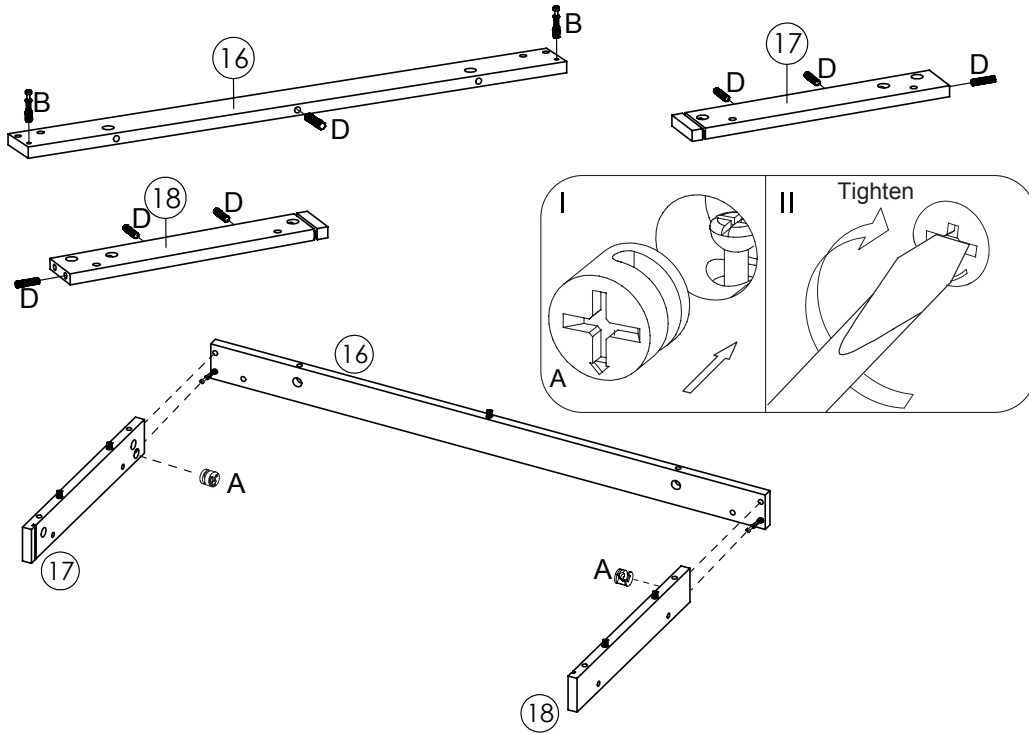


Fittings required



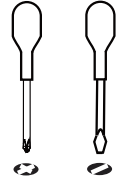
CANYON OAK BOOKCASE ASSEMBLY INSTRUCTIONS

STEP 9

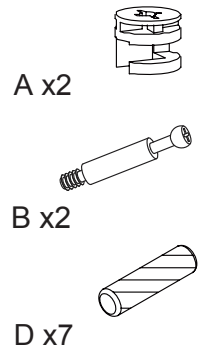


For this step:

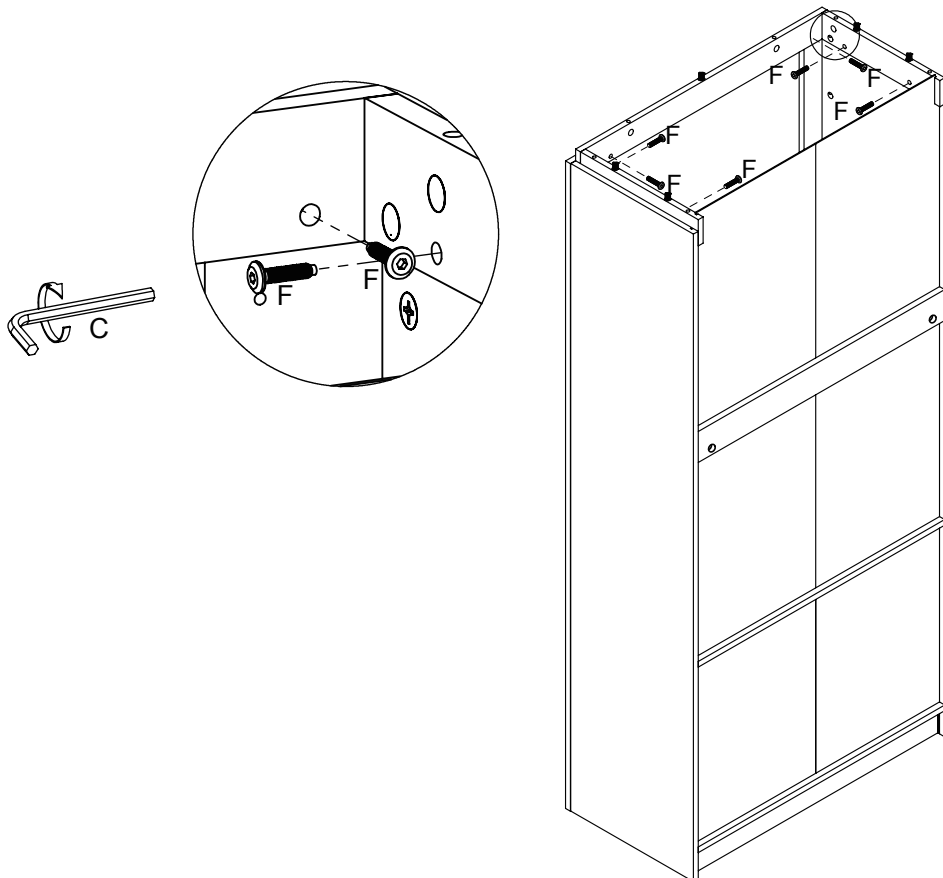
Tools required



Fittings required

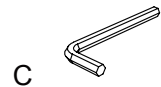


STEP 10

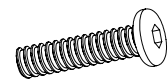


For this step:

Tools required



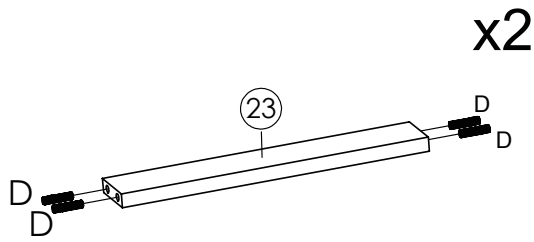
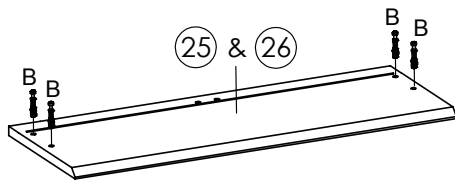
Fittings required



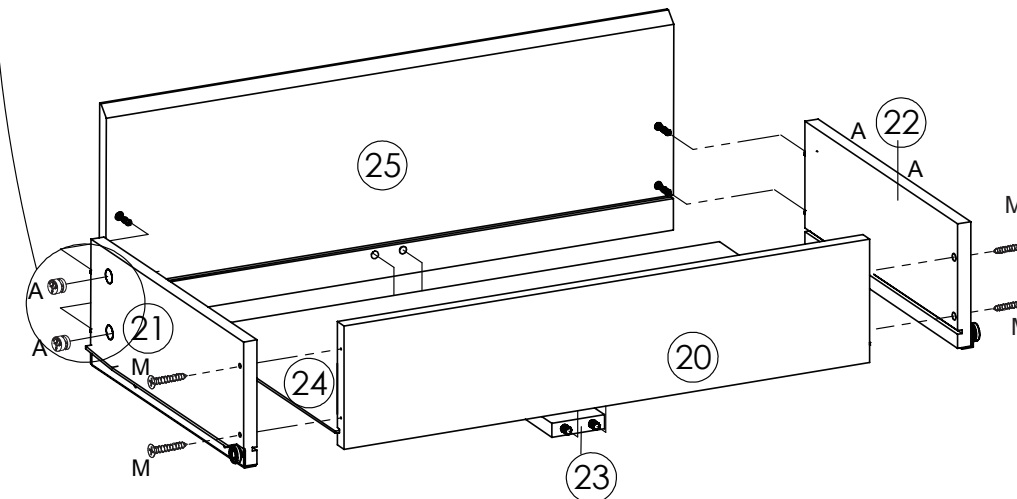
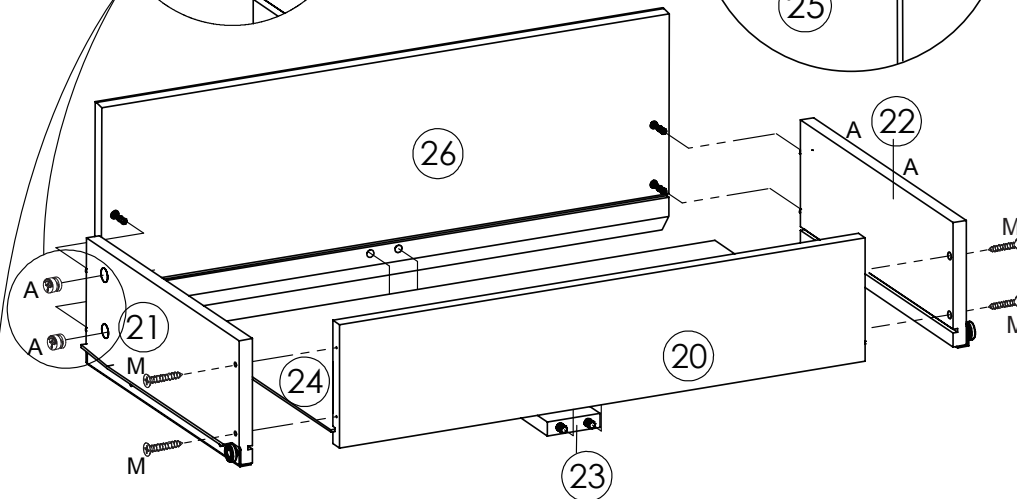
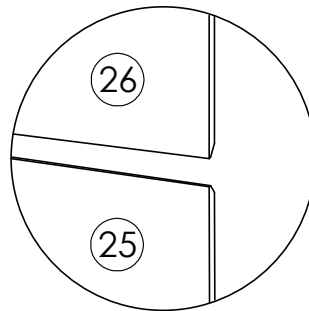
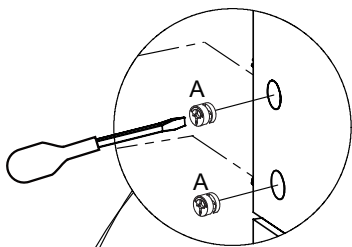
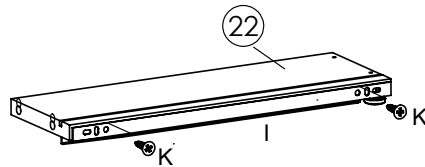
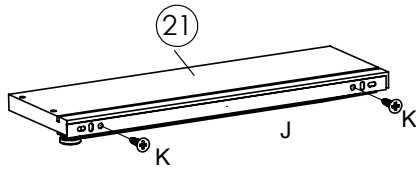
F x6

CANYON OAK BOOKCASE ASSEMBLY INSTRUCTIONS

STEP 11

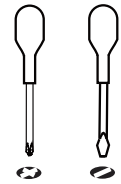


x2



For this step:

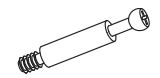
Tools required



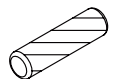
Fittings required



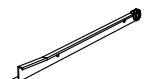
A x8



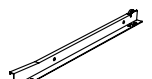
B x8



D x8



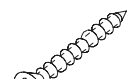
I x2



J x2



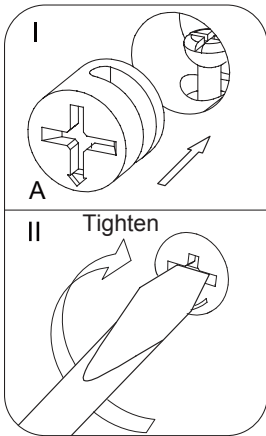
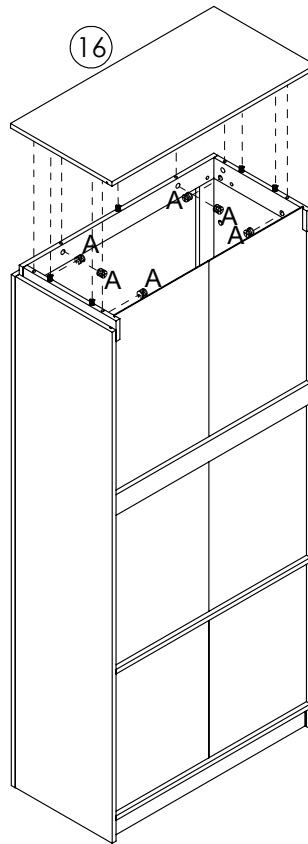
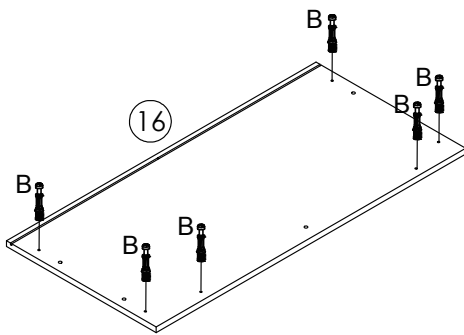
K x8



M x8

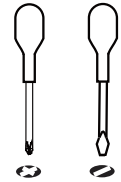
CANYON OAK BOOKCASE ASSEMBLY INSTRUCTIONS

STEP 12



For this step:

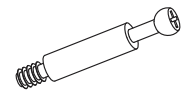
Tools required



Fittings required

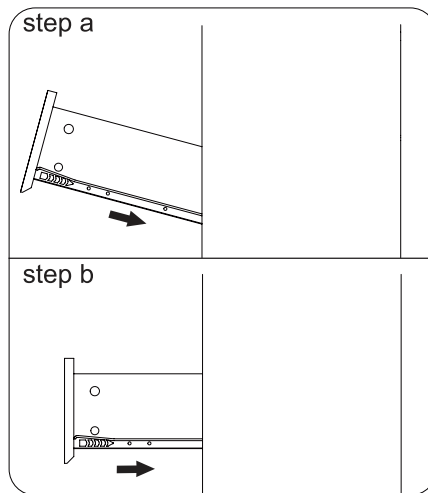
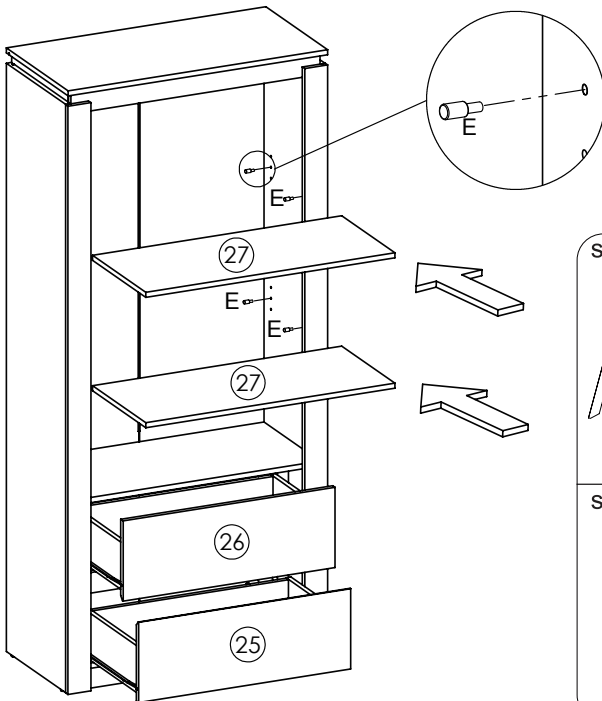


A x6



B x6

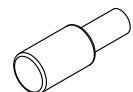
STEP 13



For this step:

Tools required

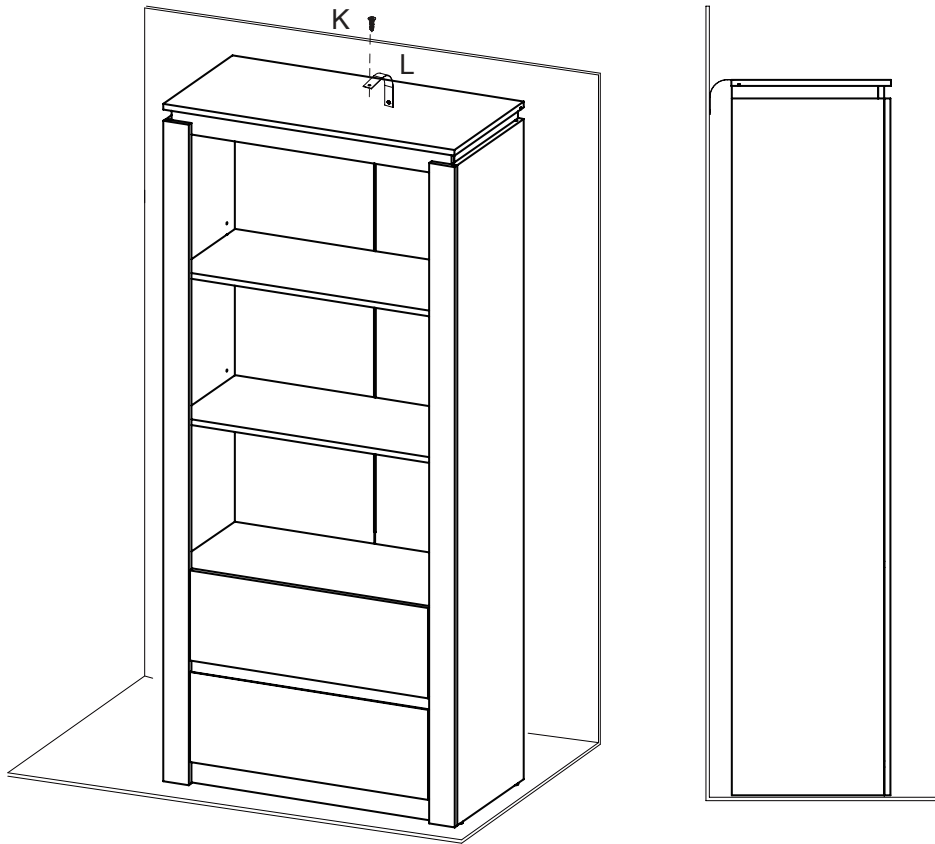
Fittings required



E x8

CANYON OAK BOOKCASE ASSEMBLY INSTRUCTIONS

STEP 14



For this step:

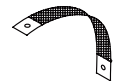
Tools required



Fittings required



K x1



L x1

Note: We recommend the use of the wall strap provided (L) to avoid accidents and possible fatal injuries if the item falls over or tips over during use.

Warning: Always ensure the wall area to be drilled is free of electrical wires, water and gas pipes. We don't supply wall fixings as these must suit the wall type of your own home. If in doubt please consult a qualified tradesperson.

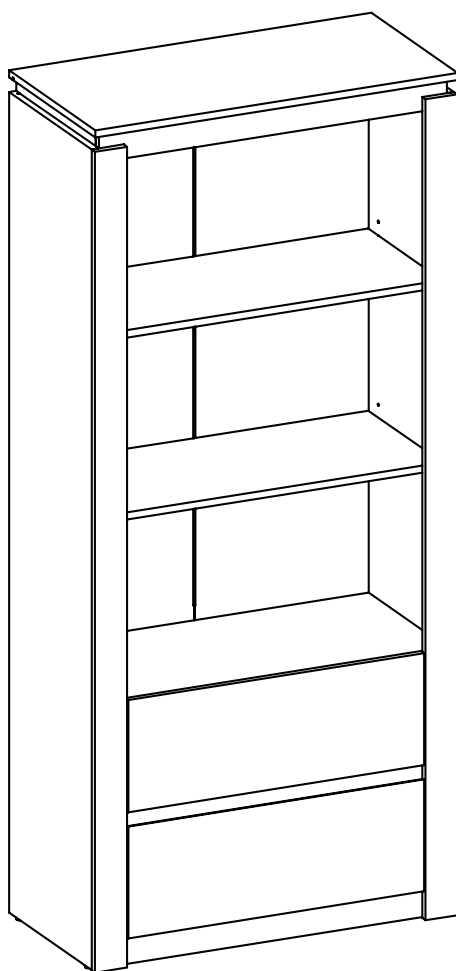
CANYON OAK BOOKCASE ASSEMBLY INSTRUCTIONS

Assembly Completed

Your Canyon Oak Bookcase is now completely assembled.

Periodically check to ensure that the components are in their proper position, free from damage.

Also, make sure the connectors are tight and secure.



Keep instructions for future reference

