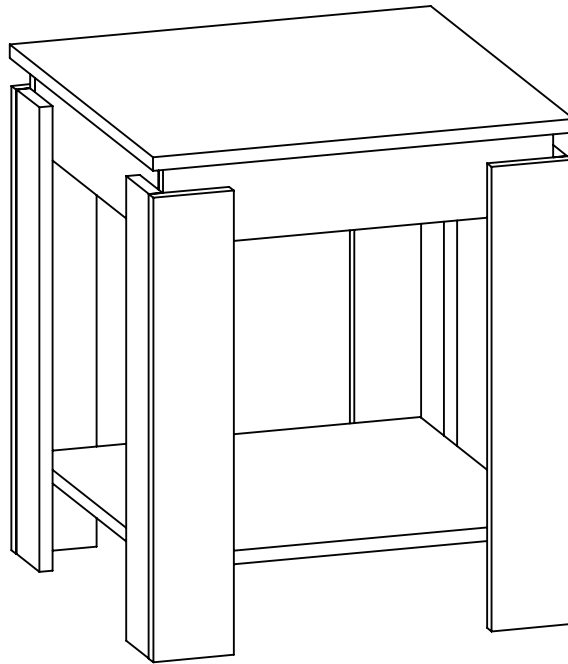


CANYON OAK LAMP TABLE ASSEMBLY INSTRUCTIONS

Thank you for purchasing the Canyon Oak Lamp Table.
Please read the instructions carefully to ensure safe operation of the item.



Size: 47 x 47 x 56 cm (WDH)

Colours: Canyon Oak

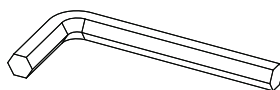
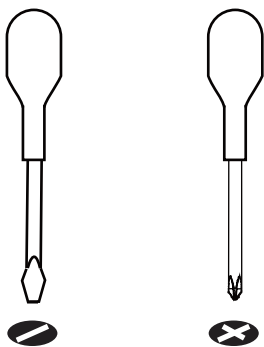
Finish: Paper Veneer

PLEASE READ this sheet prior to assembly to familiarise yourself with the various stages of construction.

Carefully open the pack supplied and check the contents against the parts and fittings check list. Do not destroy any of the packaging until you are certain that you have all the necessary parts for the assembly.

CAUTION: There are small components used in the construction of this unit. These loose items should be kept away from young children whilst assembling your unit to avoid the danger of choking.

Tools Required



Number of people



0.5 Hour
Set Up

CANYON OAK LAMP TABLE ASSEMBLY INSTRUCTIONS

IMPORTANT - READ CAREFULLY - RETAIN THESE INSTRUCTIONS FOR FUTURE REFERENCE.

INFORMATION

- This product is designed to support 10kg. Do not exceed this weight.
- We recommend that this unit is assembled in the room intended for use.
- When you are ready to start, make sure that you have the right tools, plenty of space and a clean, dry area for assembly.
- Unwrap all packaging materials and place the components on top of the carton box or on a clean floor to prevent it from scratching.
- Check the pack and make sure you have all the parts listed.
- Ensure that this product is fully assembled as illustrated before use.
- Check all screws or bolts are tightened and inspect regularly.
- Tools not included unless specified in parts list.

WARNINGS

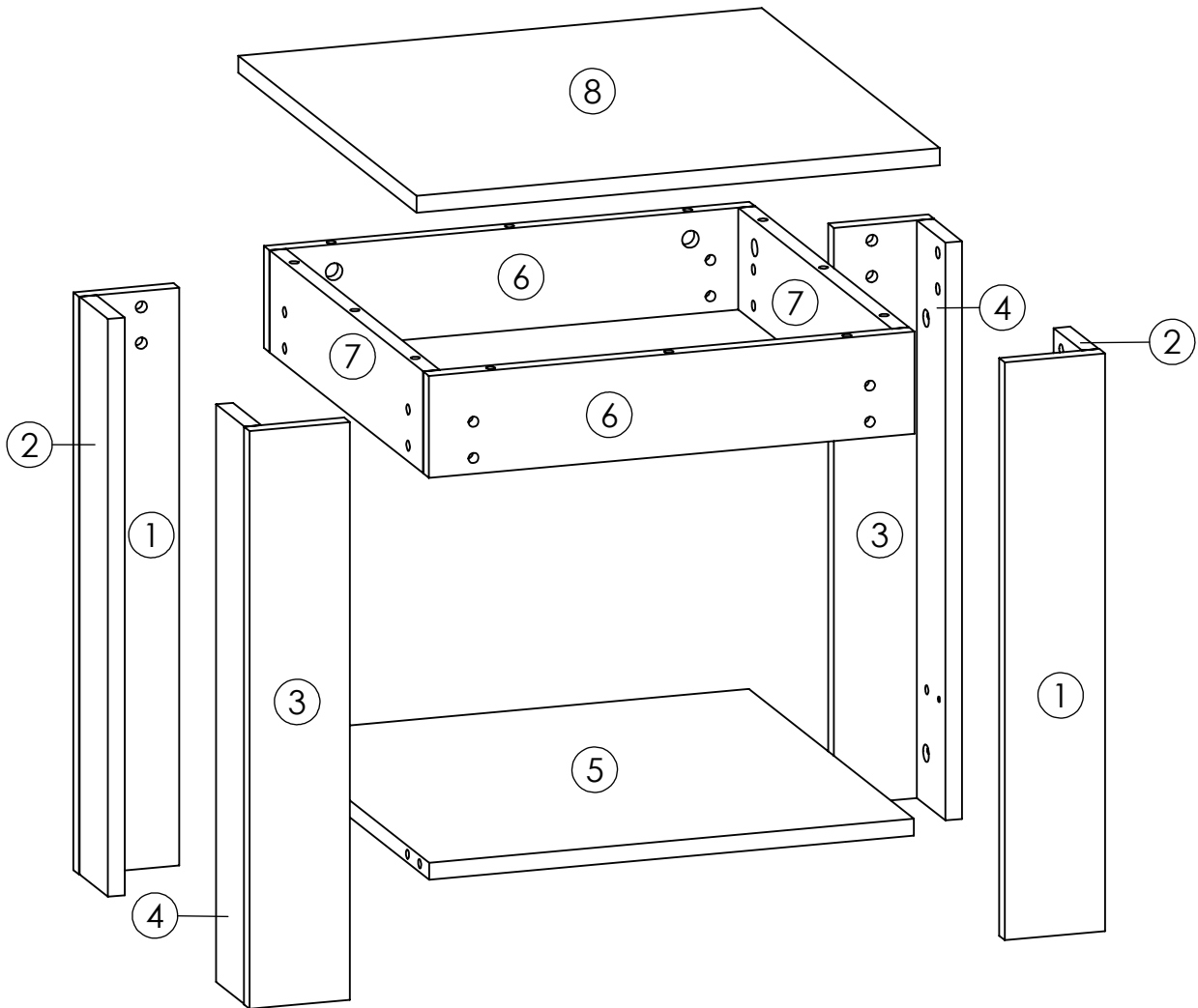
- This product should only be used on a firm and level floor.
- Keep small parts out of reach of children.
- Make sure the legs remain in contact with the floor.
- DO NOT use power tools to construct this product.
- DO NOT tighten screws until parts are assembled or as advised in this guide.
- DO NOT over-tighten screws or bolts.
- DO NOT use this product if parts are missing, damaged or worn.
- DO NOT sit or stand on the product.

CARE INFORMATION

- Never use scourers, abrasives or chemical cleaners.
- To clean, wipe with a damp sponge and warm soapy water. Do not use solvent based cleaners or detergents as they can bleach or damage the product.

CANYON OAK LAMP TABLE ASSEMBLY INSTRUCTIONS

Please check the pack contents before assembling the product. If any components are missing, please contact your retailer. The fittings pack contains small items that should be kept away from small children.



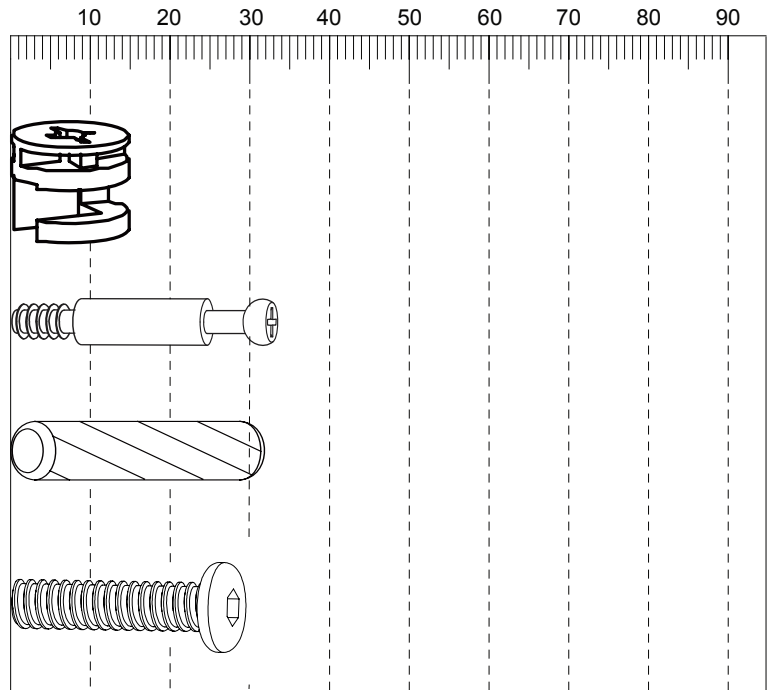
All parts are packed in one carton

1	2	3
Description: Wide Leg Qty: 2 Carton No: 1/1	Description: Narrow Leg Qty: 2 Carton No: 1/1	Description: Wide Leg Qty: 2 Carton No: 1/1
4	5	6
Description: Narrow Leg Qty: 2 Carton No: 1/1	Description: Base Panel Qty: 1 Carton No: 1/1	Description: Decor Rail Qty: 2 Carton No: 1/1
7	8	
Description: Decor Cross rail Qty: 2 Carton No: 1/1	Description: Top Panel Qty: 1 Carton No: 1/1	

CANYON OAK LAMP TABLE ASSEMBLY INSTRUCTIONS

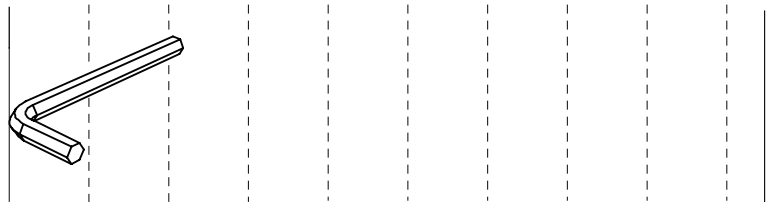
Fittings (to scale)

Code	Item	Quantity
A	Cam Lock	20
B	Cam Bolt	20
D	Dowel (8x30mm)	16
F	Connection Screw (M6x25mm)	16

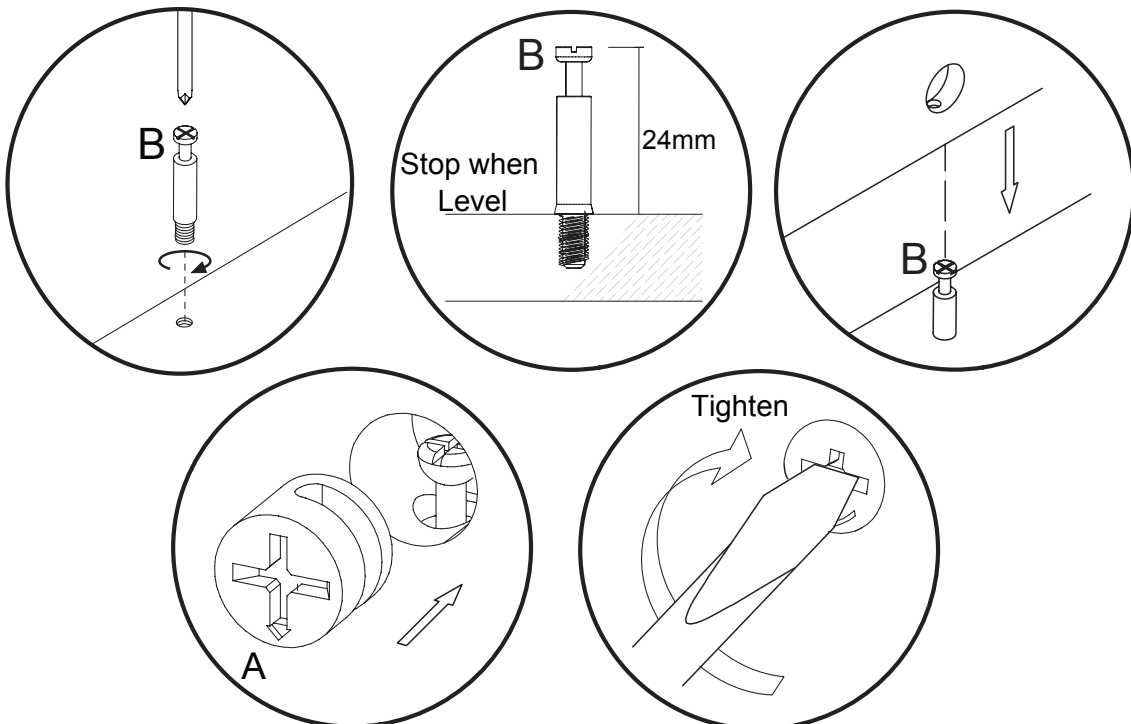


Fittings (not to scale)

Code	Item	Quantity
C	Allen Key 4mm	1

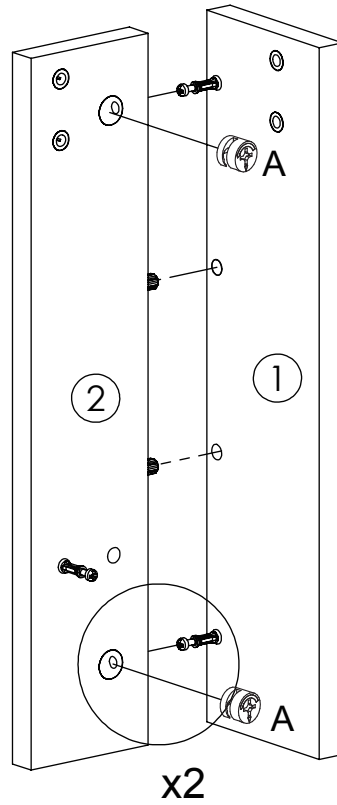
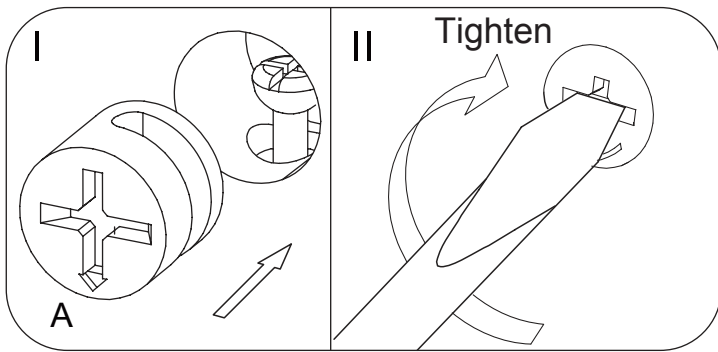
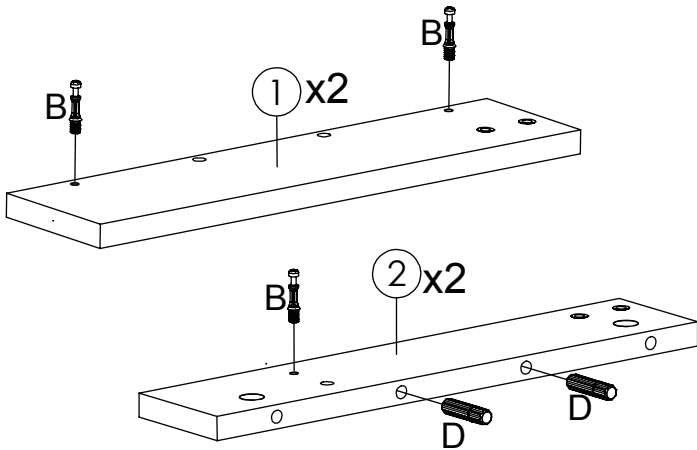


General Hints & Tips



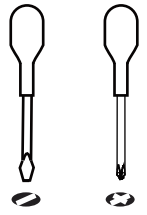
CANYON OAK LAMP TABLE ASSEMBLY INSTRUCTIONS

STEP 1

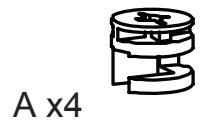


For this step:

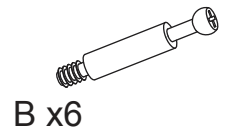
Tools required



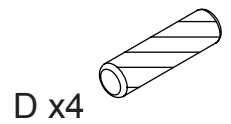
Fittings required



A x4

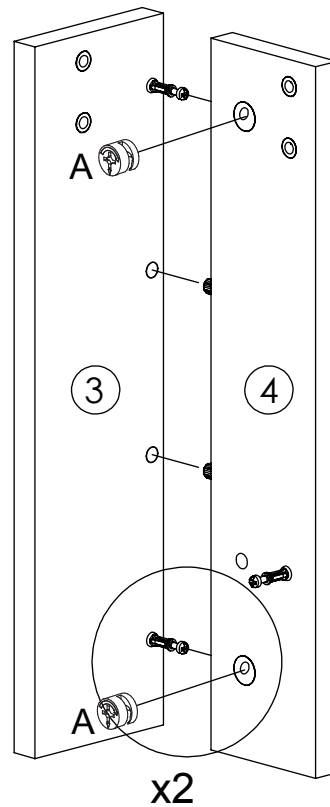
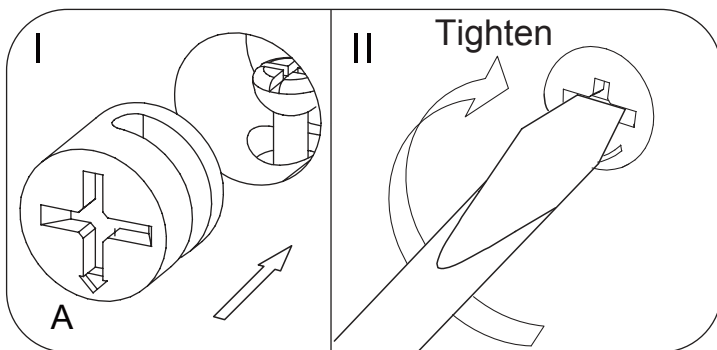
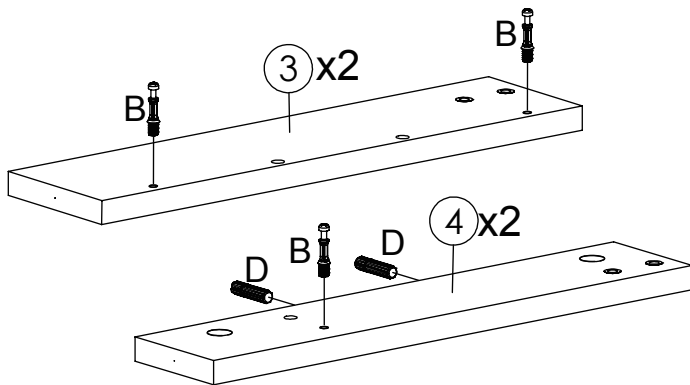


B x6



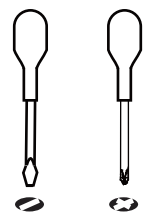
D x4

STEP 2



For this step:

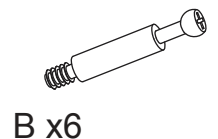
Tools required



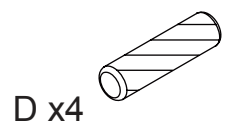
Fittings required



A x4



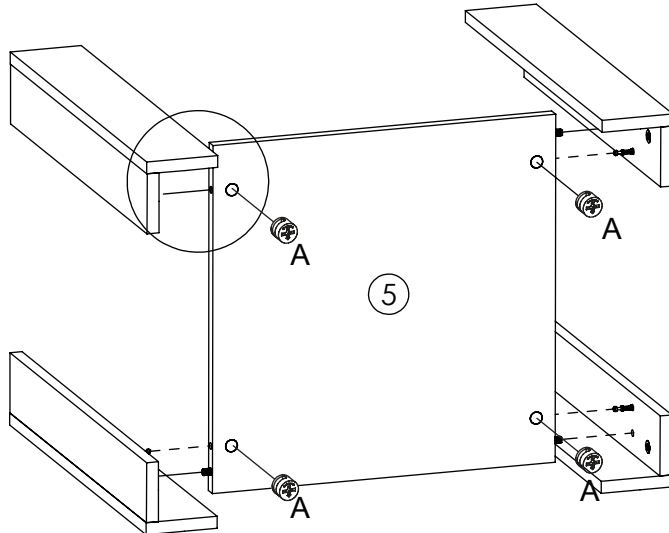
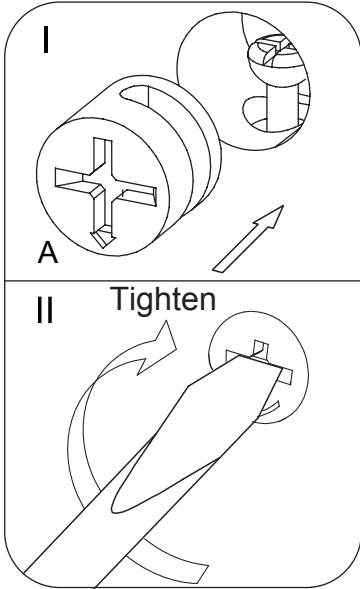
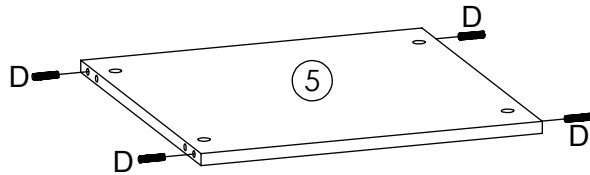
B x6



D x4

CANYON OAK LAMP TABLE ASSEMBLY INSTRUCTIONS

STEP 3



For this step:

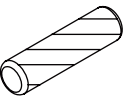
Tools required



Fittings required

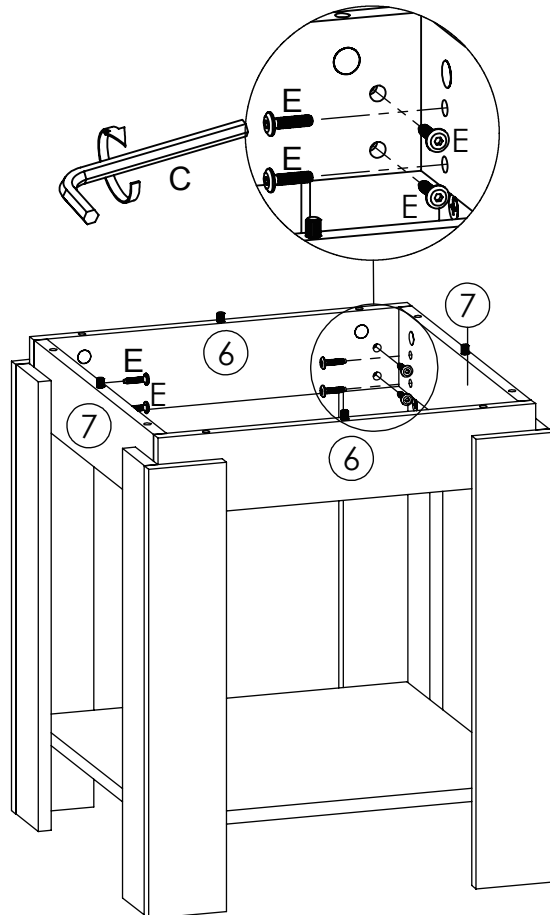
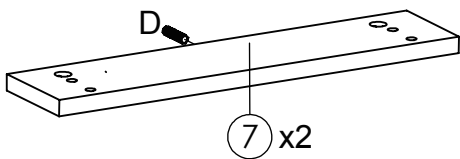
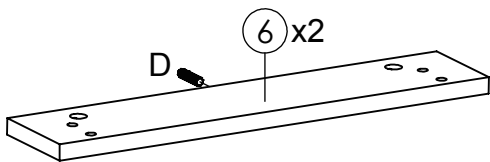


A x4



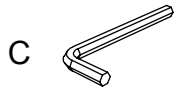
D x4

STEP 4

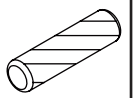


For this step:

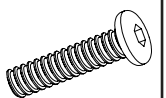
Tools required



Fittings required

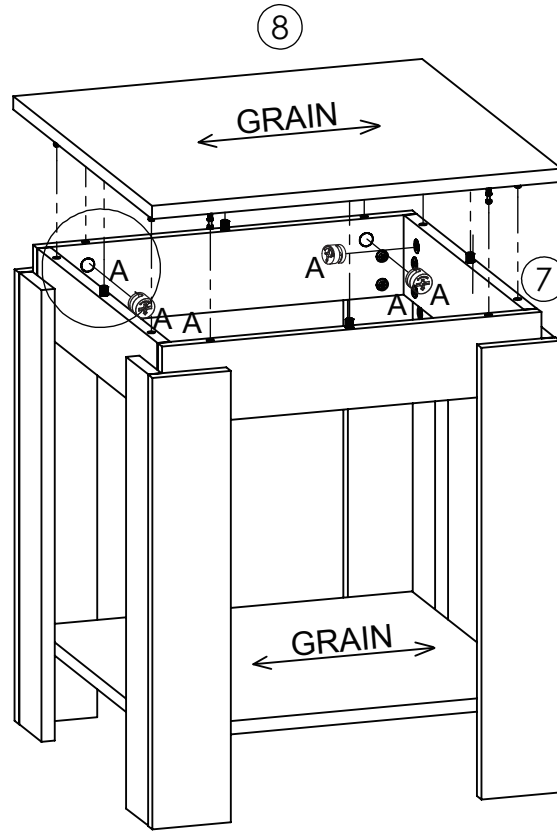
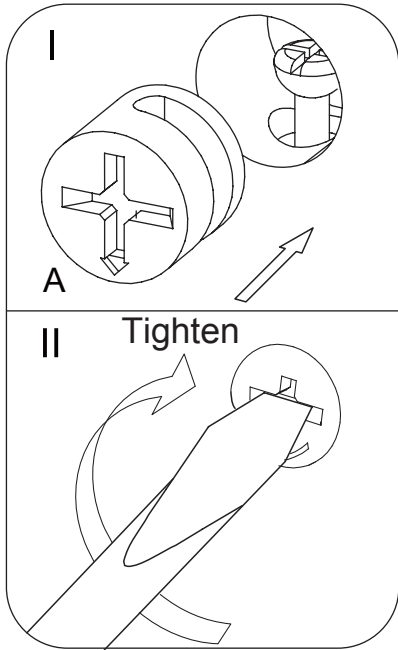
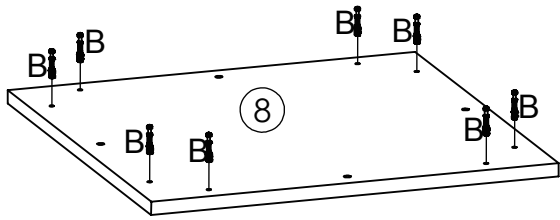


D x4



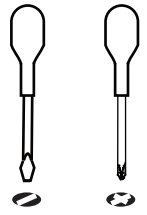
E x16

STEP 5



For this step:

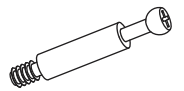
Tools required



Fittings required



A x8

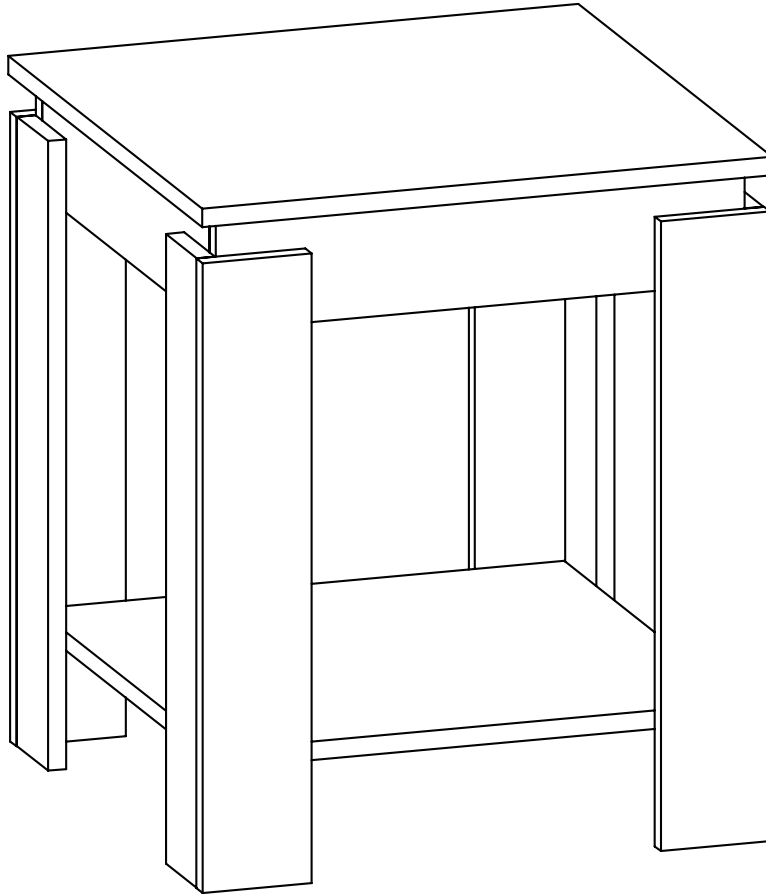


B x8

Assembly Completed

Your Canyon Oak Lamp Table is now completely assembled.

Periodically check to ensure that the components are in their proper position, free from damage. Also, make sure the connectors are tight and secure.



Keep instructions for future reference

