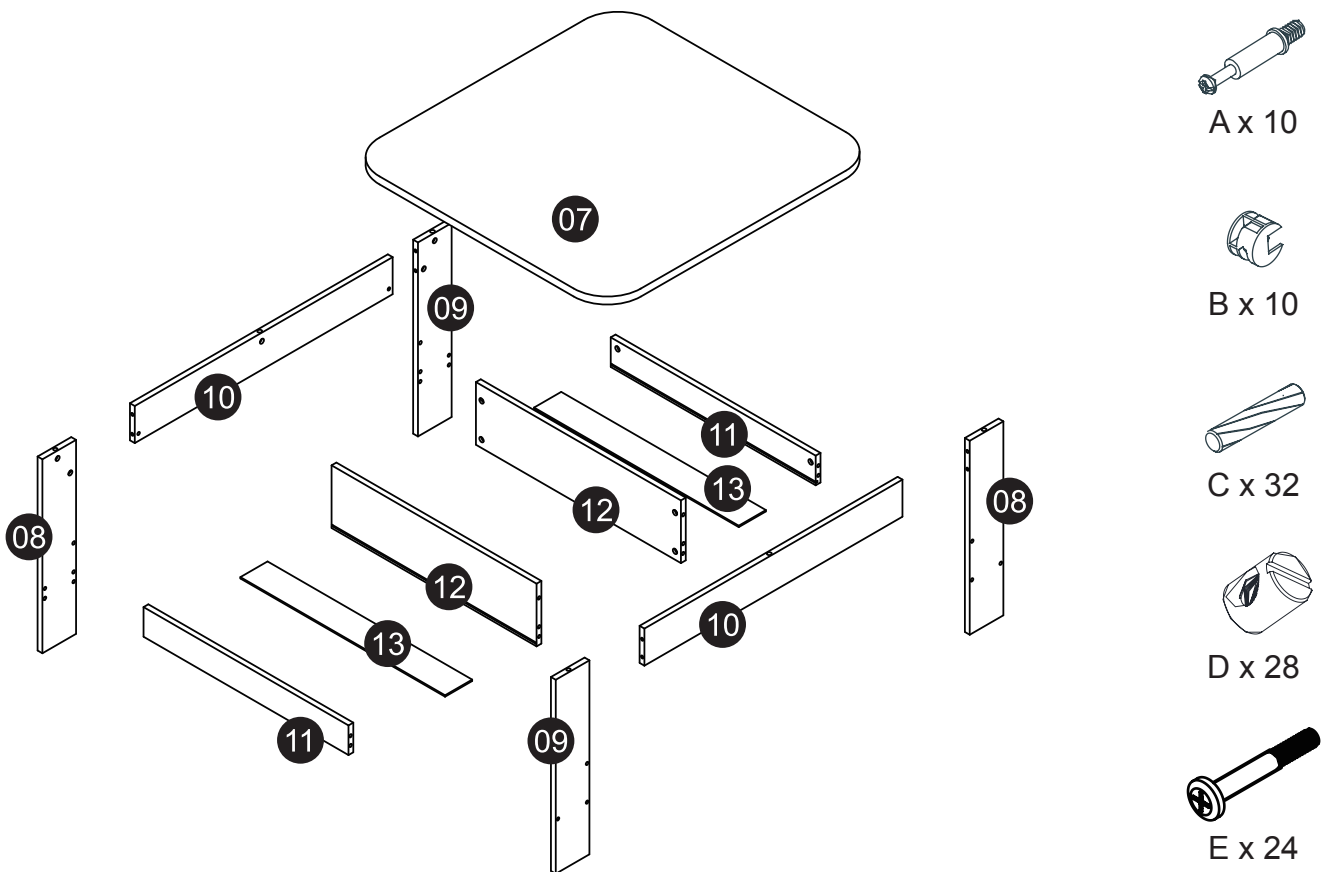
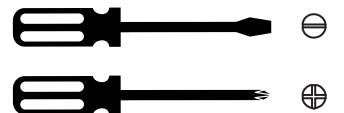


**TABLE PART LIST AND HARDWARE**

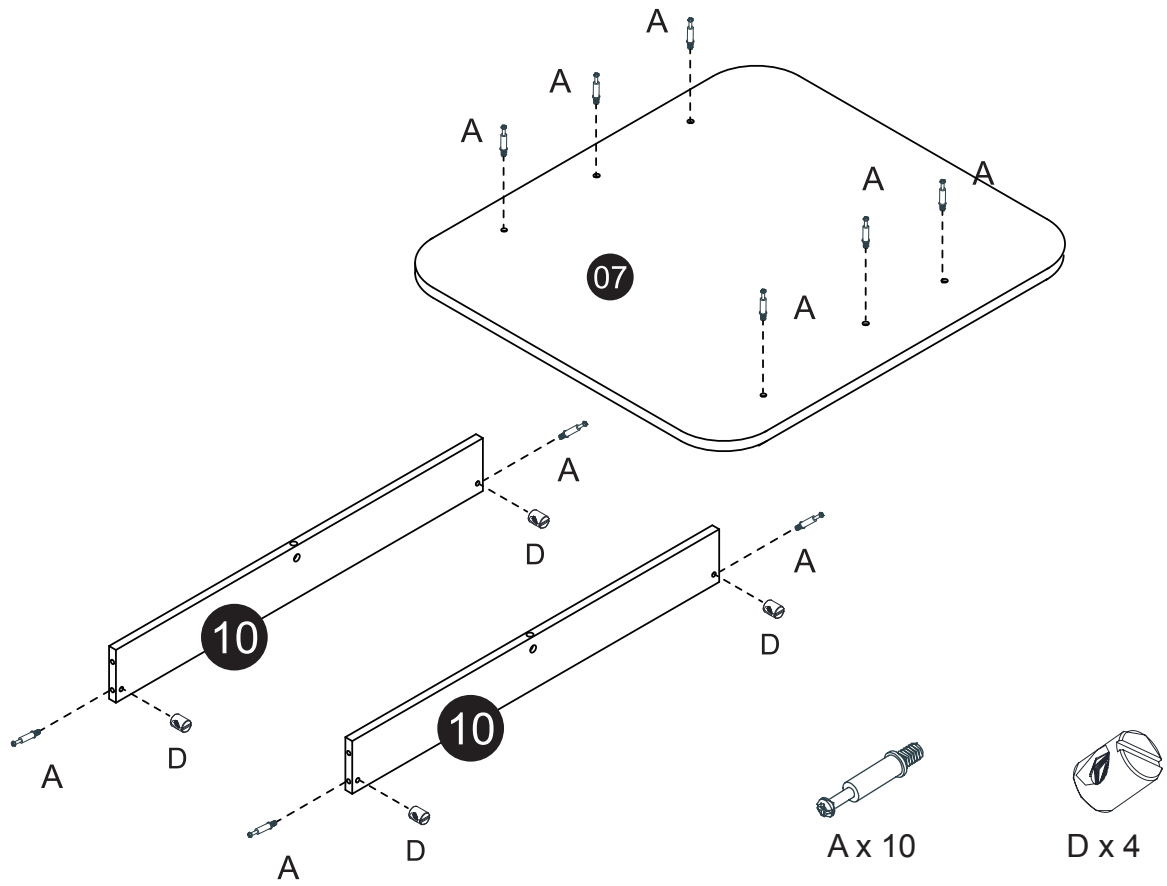


**TOOLS REQUIRED:**  
1. Flat Head Screw Driver (not supplied)  
2. Phillips Head Screw Driver (not supplied)

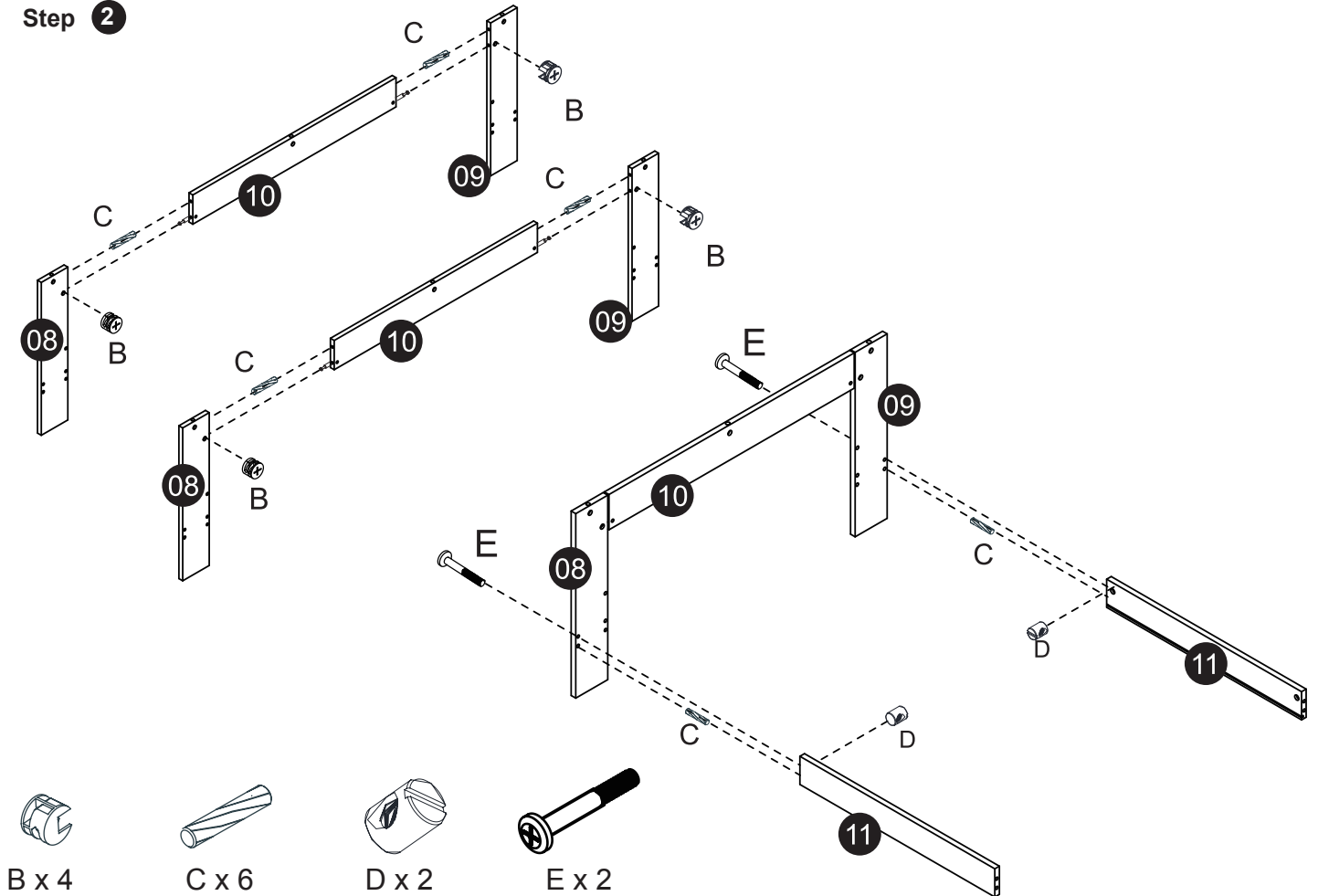


# TABLE ASSEMBLY

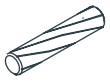
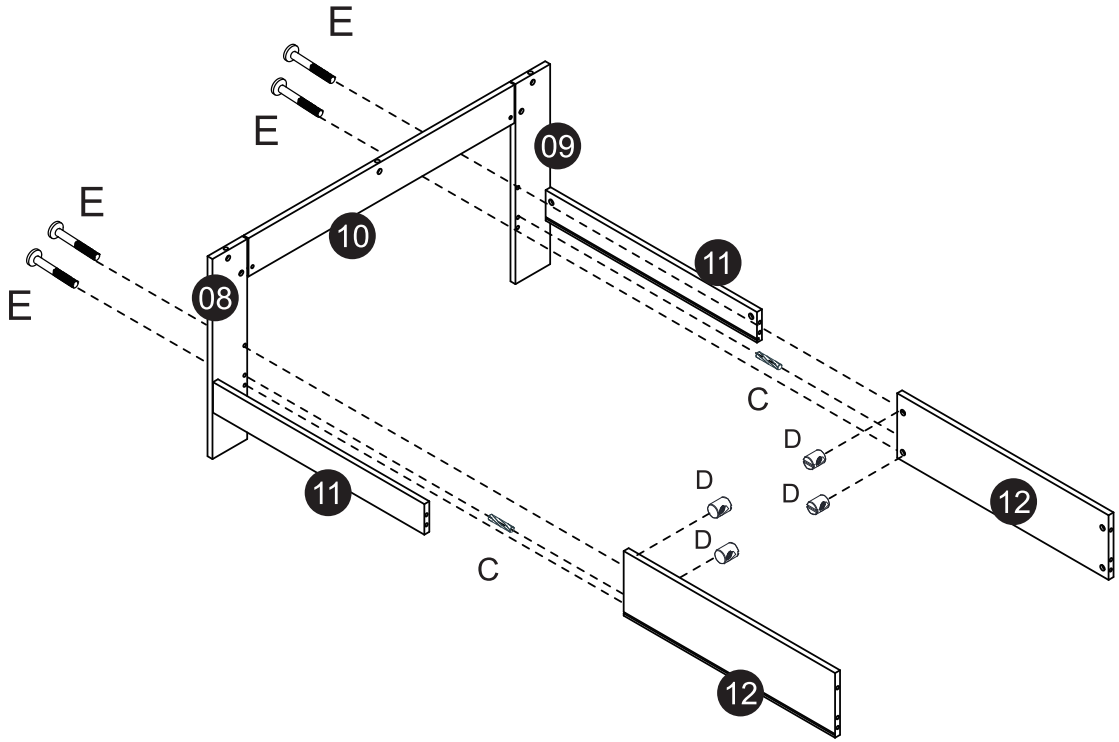
## Step 1



## Step 2



Step 3



C x 2

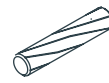
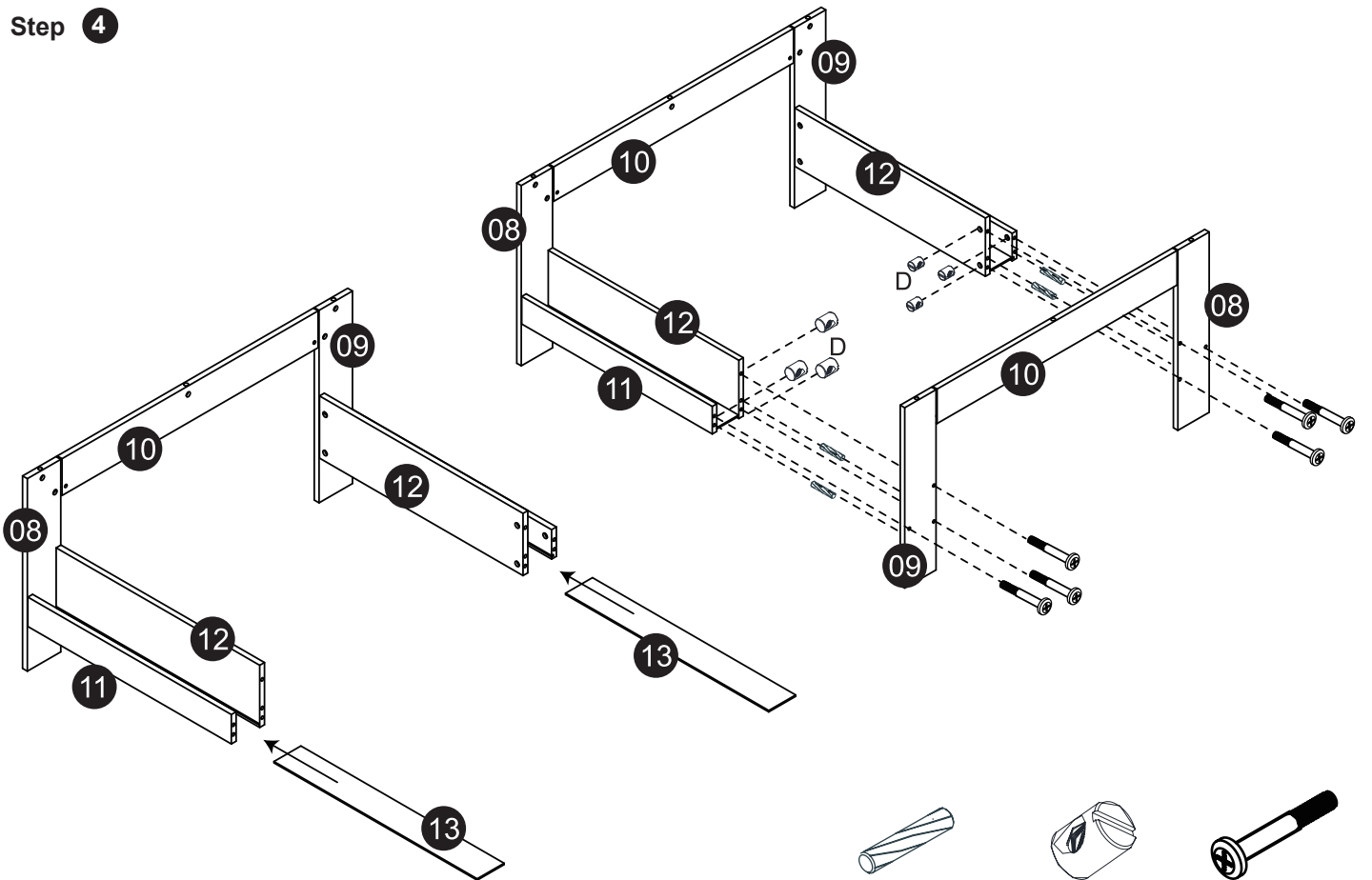


D x 4



E x 4

Step 4



C x 4

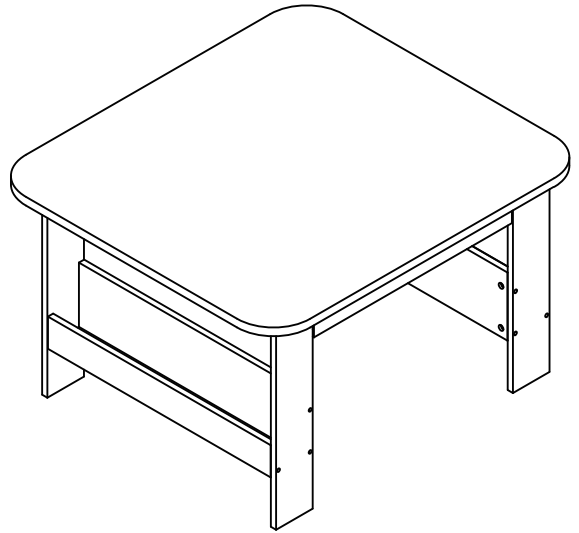
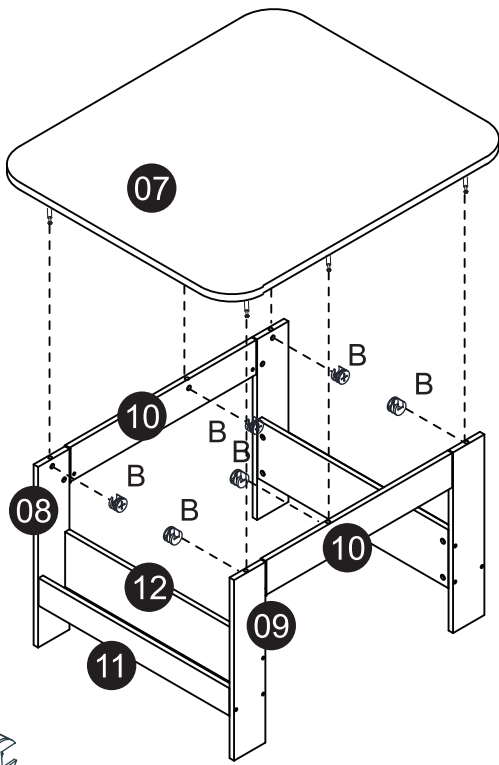


D x 6



E x 6

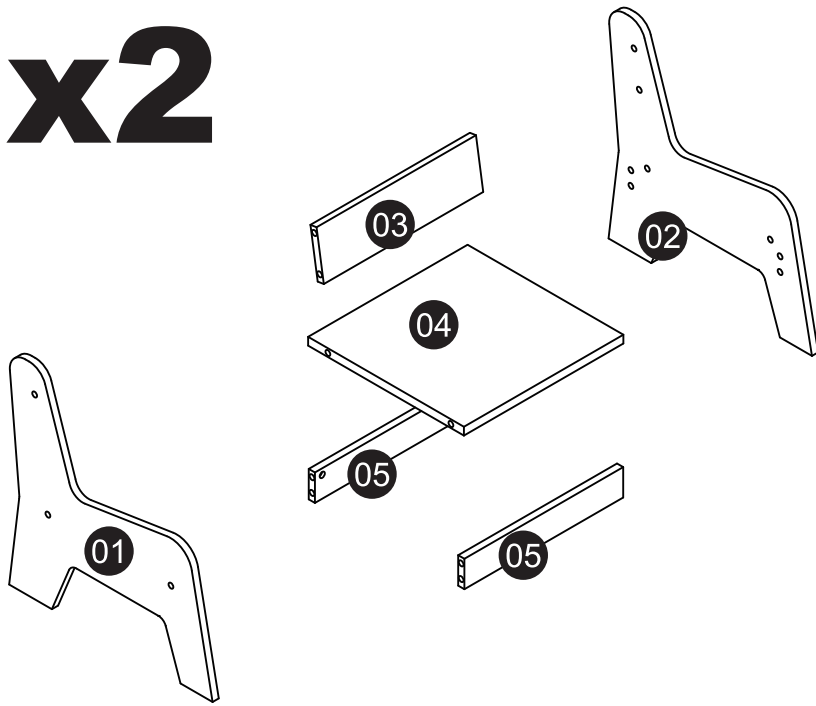
Step 5



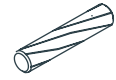
B x 4

# CHAIR PART LIST AND HARDWARE

**x2**



E x 12



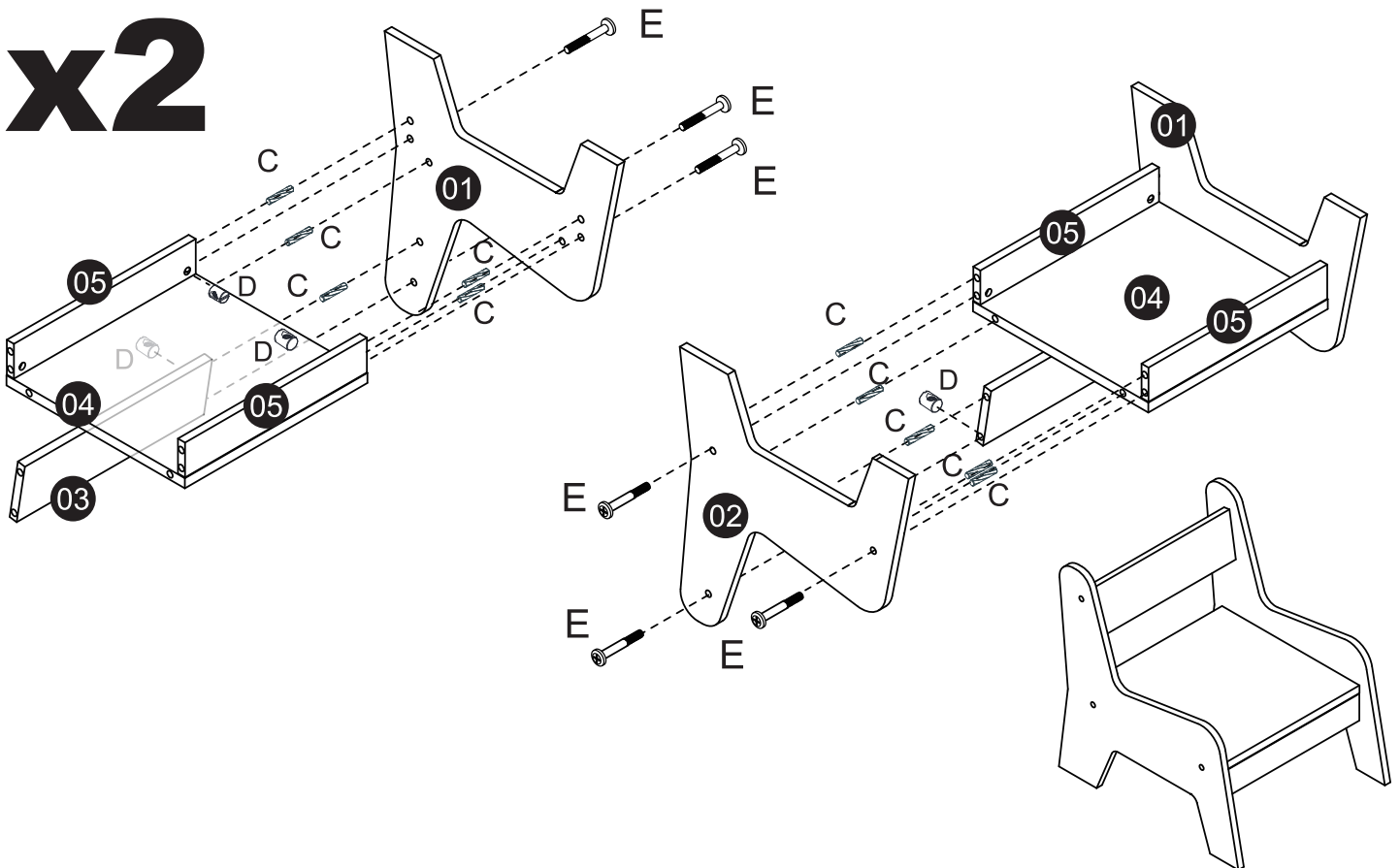
C x 20



D x 12

# CHAIR ASSEMBLY

**x2**



Liberty House Toys  
20-24 Gibraltar Row  
King Edward Industrial Estate  
Liverpool L3 7HJ  
United Kingdom



**WARNING:**  
CHOKING HAZARD – Small parts.