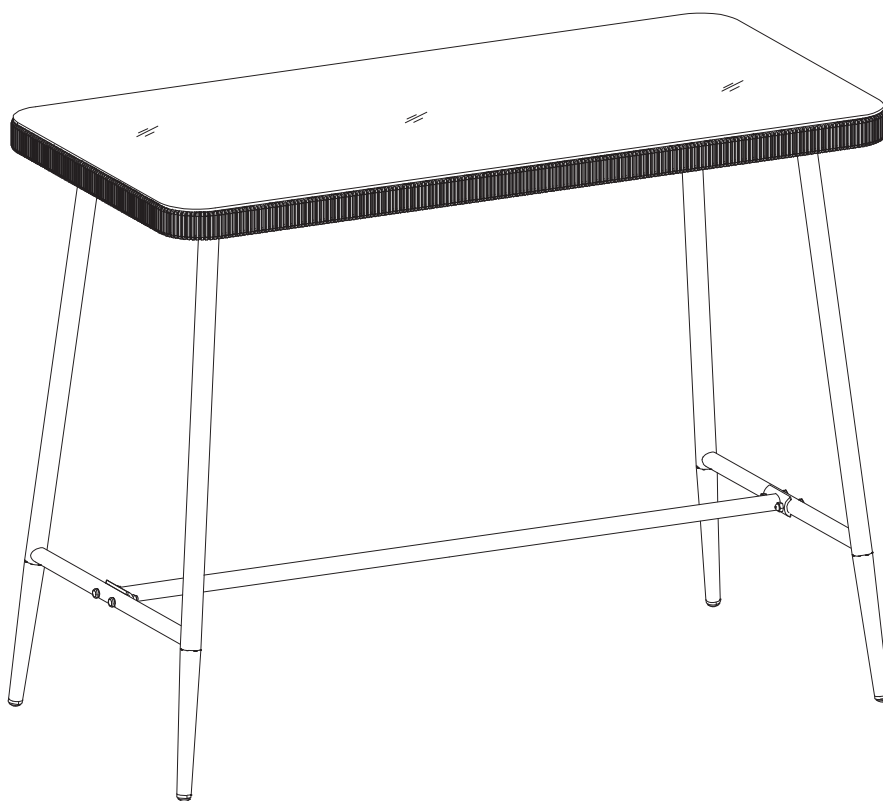



Malta

4 Seat Bar Set-Table

habitat 



Spare Parts

 www.argos-support.co.uk

 Help@ClickSpares.co.uk

 0370 112 1928

Customer Support

 0345 640 2020



Safety and Care Advice

Product Details

Grey 1242245

IMPORTANT, RETAIN FOR FUTURE REFERENCE: READ CAREFULLY.

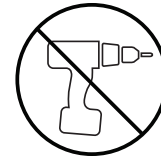
- Keep children and animals away from the work area, small parts could choke if swallowed.

- Make sure you have enough space to layout the parts before starting.

- This product has been constructed to be used in the domestic environment only and not for commercial purposes.

- Assemble the item as close to its final position (in the same room) as possible.

- Assemble on a soft level surface to avoid damaging the unit or your floor.



- We do not recommend the use of power drill/drivers for inserting screws as this could damage the unit. Only use hand screwdrivers.

- Parts of the assembly will be easier with 2 people.

- Dispose of all packaging carefully and responsibly.

Care and maintenance

- During assembly do not lay the glass directly onto hard or rough surfaces. We recommend laying the glass on a blanket or cardboard during assembly. You could even use the box.

- When lifting or moving the product, ask for someone to lend a hand, trying to move a product on your own can lead to accidents.

- Do not place very hot or very cold items, such as saucepans or barbecues, directly on the glass surface. Extreme temperature differences over small areas can damage glass.

- Do not use furniture if any parts are missing or broken. Contact your retailer immediately.

- Do not drag rough or heavy objects over the top of the glass.

- Do not strike the glass with hard or pointed items, or use the glass as a chopping surface.

- We recommend using place mats, coasters and table cloths to help protect against scratches and accidentally dropped items.

- Clean the glass regularly to make sure there are no grit on the top.

- Do not clean glass with washing powders or any other substances containing abrasives, since these substances can scratch glass.

- For tables that can be used outdoors, if your table has a parasol, make sure the edge of the parasol cut-out has a protector in place. In addition always use a weighted parasol base, and remove the parasol in windy conditions. Parasols can put pressure on the table top or even blow the table over in windy weather.

- For tables that can be used outdoors it is advised that the table is kept covered when not in use to protect the glass from the weather and accidental damage.

- Do not sit or stand upon the glass surface.

Additional Guidance

- Assemble all parts and bolts loosely during assembly, only once the product is complete should you fully tighten the bolts.

- Regularly check and ensure that all bolts and fittings are tightened properly.

- The unit weight approximately 22 kgs

- Do not fully tighten all screws until assembly is completed.

- Make sure the assemble will be easier with 2 people.

- This product is compliant BS EN581-1; BS EN581-3.

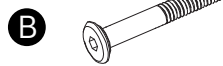
Argos Limited, 489-499 Avebury Boulevard, Milton Keynes, MK9 2NW. [Argos \(N.I.\) Ltd, Forestside Shopping Centre, Upper Galwally, Belfast, United Kingdom, BT8 6FX.](#) Argos Distributors (Ireland) Limited, Unit 7, Ashbourne Retail Park, Ballybin Road, Ashbourne, County Meath, Ireland.

Fittings (Shown to scale)

Bag 1



A 18mm Screw x12



B 45mm Screw x4



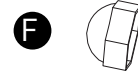
C Nut x4



D Washer x16



E Screw cap x16



F Nut cap x4



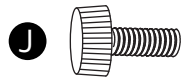
G Spring washer x12



H Wrench x1



I Allen key x1



J Adjustable Screw Foot Cap x 4
(assembled)

Components



1 Table Top Frame
(1380 x 690 x 45mm)



2 Table Leg (x2)
(660 x 1035 x 65mm)

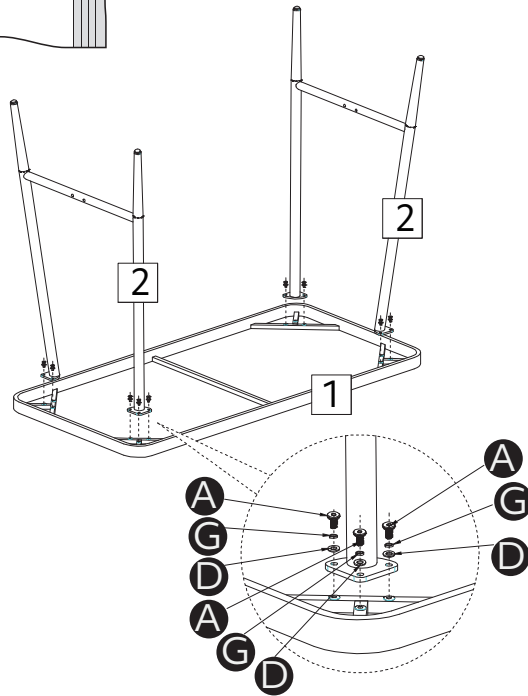
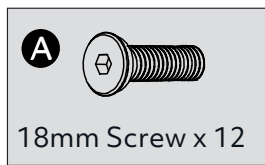
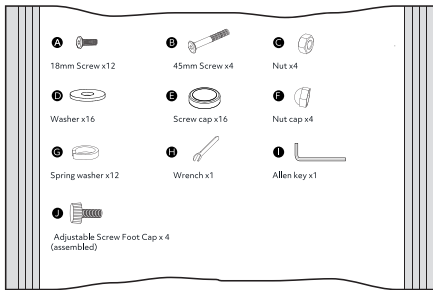


3 Support Tube
(1250 x 35 x 80mm)



4 Table Glass
(1370 x 680 x 5mm)

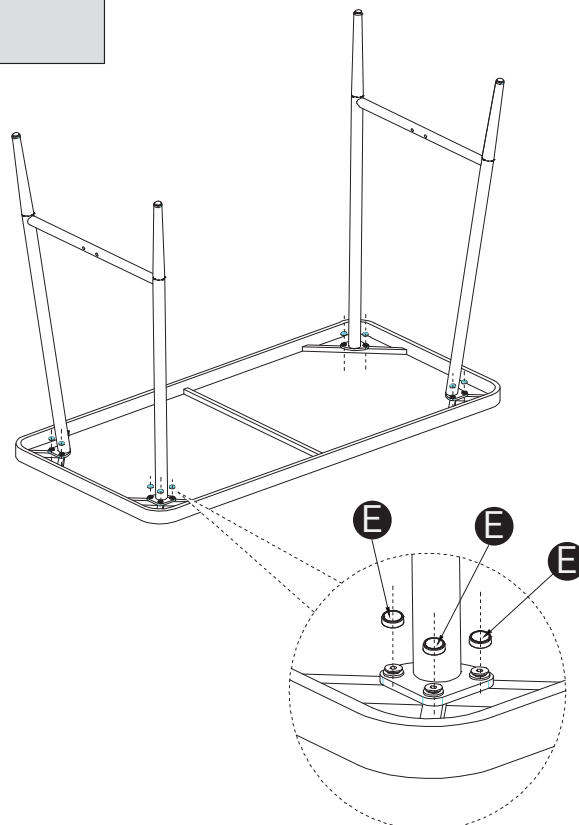
1



Repeat x4

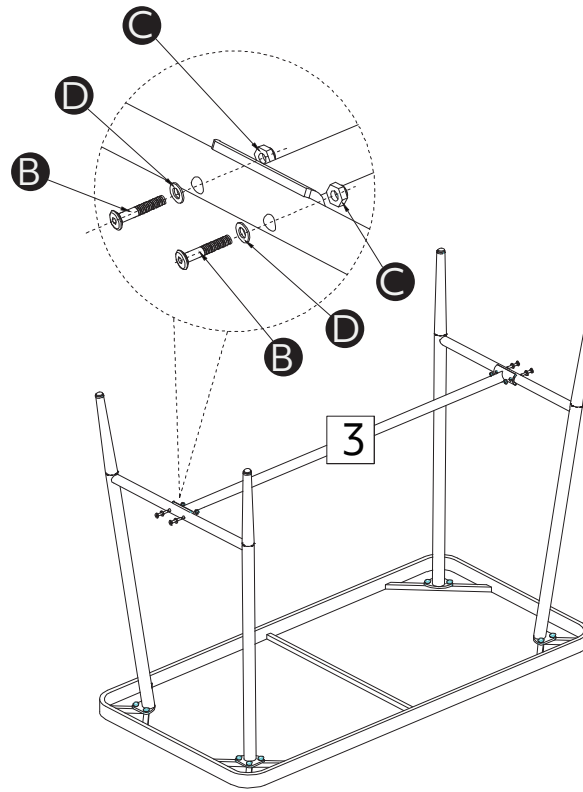
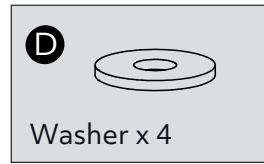
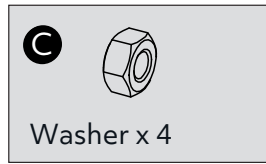
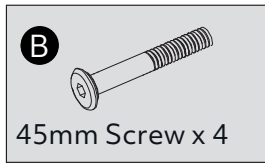
NOTE: During assembly do not lay the glass directly onto hard or rough surfaces. We recommend laying the glass on a blanket or cardboard during assembly. You could even use the box.

2



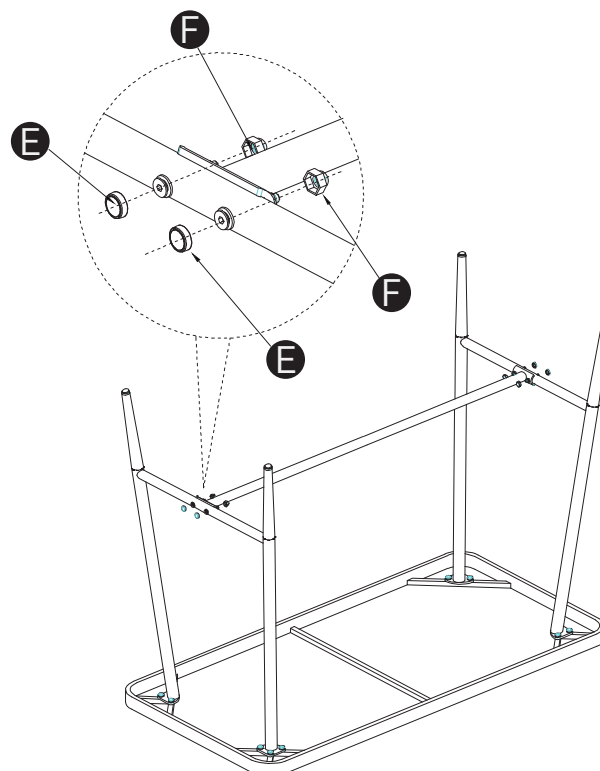
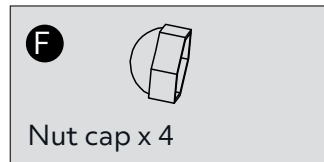
Repeat x4

3



 Repeat
x2

4



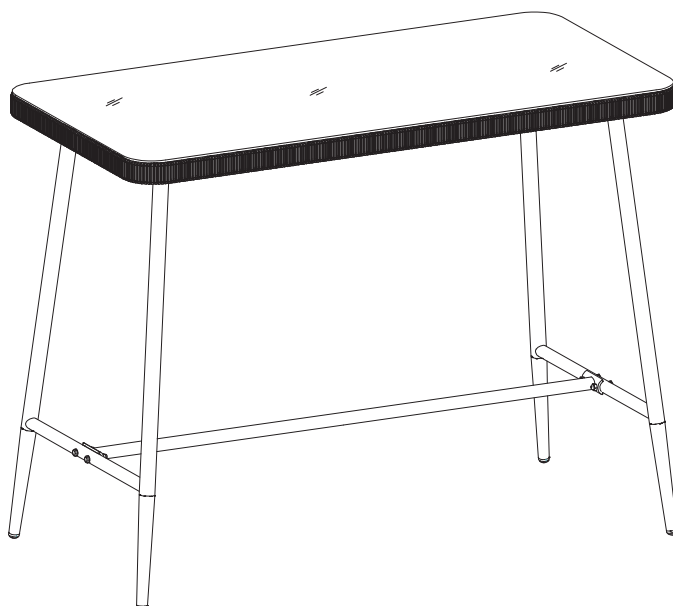
 Repeat
x2

5



NOTE: Be careful and do not scratch the glass top during the assembling.

6



Assembly is completed.

NOTE: When lifting or moving the product, ask for someone to lend a hand, trying to move a product on your own can lead to accidents.