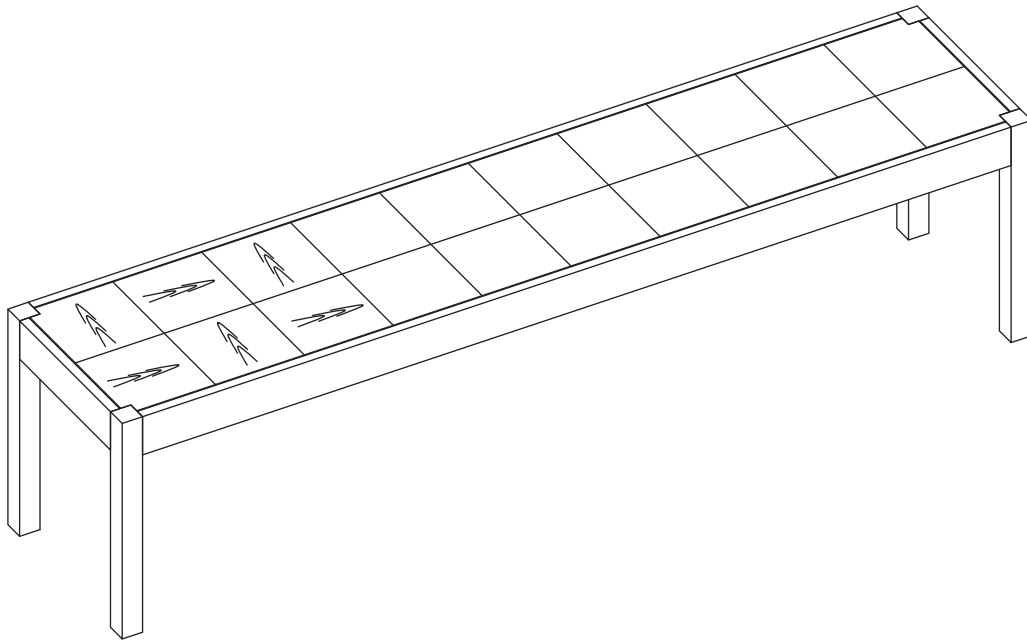


LAURIE BENCH

habitat 




Spare Parts

 www.argos-support.co.uk

 Help@ClickSpares.co.uk

 0370 112 1928

Customer Support

 0345 640 2020



Safety and Care Advice

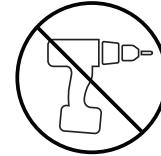
Product Details

LAURIE BENCH L180CM 1238369 OAK

IMPORTANT, RETAIN FOR FUTURE REFERENCE: READ CAREFULLY.

- Keep children and animals away from the work area, small parts could choke if swallowed.
- Make sure you have enough space to layout the parts before starting.
- This product has been constructed to be used in the domestic environment only and not for commercial purposes.

- Assemble the item as close to its final position (in the same room) as possible.
- Assemble on a soft level surface to avoid damaging the unit or your floor.



- We do not recommend the use of power drill/drivers for inserting screws as this could damage the unit. Only use hand screwdrivers.
- Parts of the assembly will be easier with 2 people.
- Dispose of all packaging carefully and responsibly.

Care and maintenance

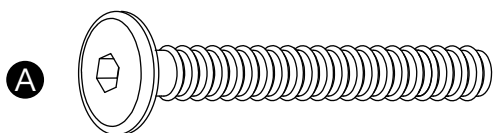
- Only clean using a damp cloth and mild detergent. Do not use abrasive cleaners.
- Use a dry cloth to clean the product, furniture polish is not recommended.
- From time to time check that there are no loose screws, nuts or bolts. If there are please re-tighten.
- This product should not be discarded with household waste. Take to your local authority waste disposal centre.

Additional Guidance

- Assemble all parts and bolts loosely during assembly, only once the product is complete should you fully tighten the bolts.
- Regularly check and ensure that all bolts and fittings are tightened properly.
- Maximum loading weight 265kg.
- This product is compliant EN12520.
- Any additional or replacement parts are obtained from the manufacturer.

Fittings (Shown to scale)

Bag 1



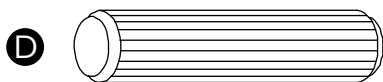
M8*55mm Bolt x 8



Spring Washer x 8



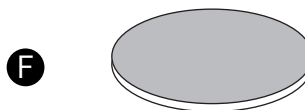
Flat Washer x 8



Ø6*30mm Wooden Dowel x 4

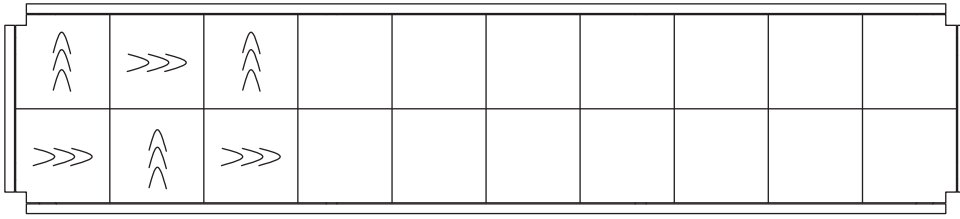


M5 Alley Key x 1



35mm Felt Pad x 4

Panels

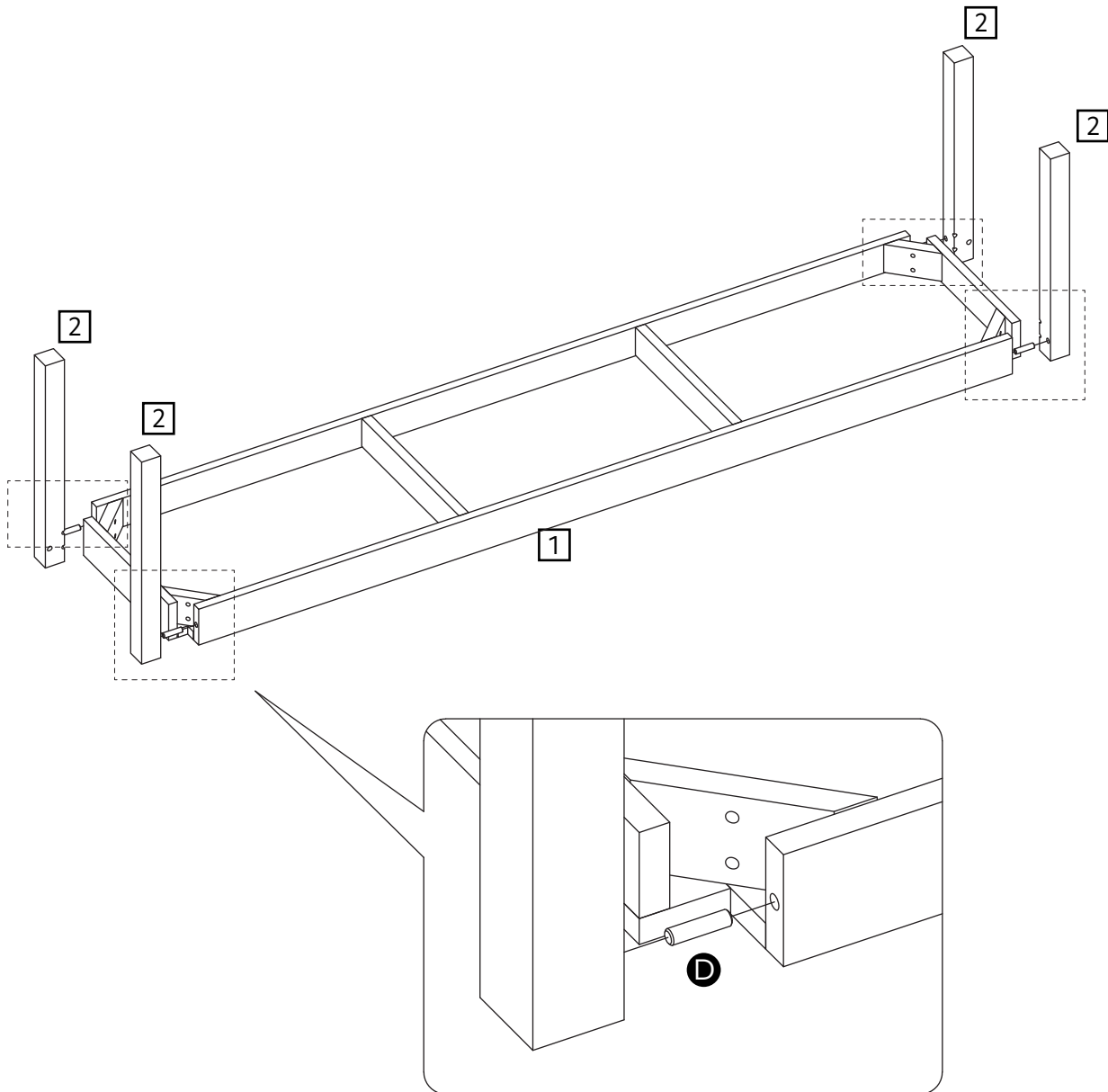
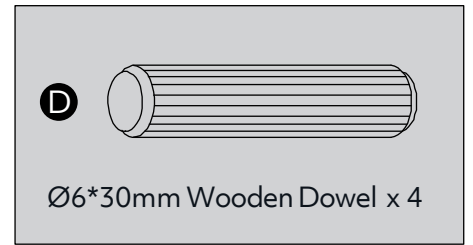
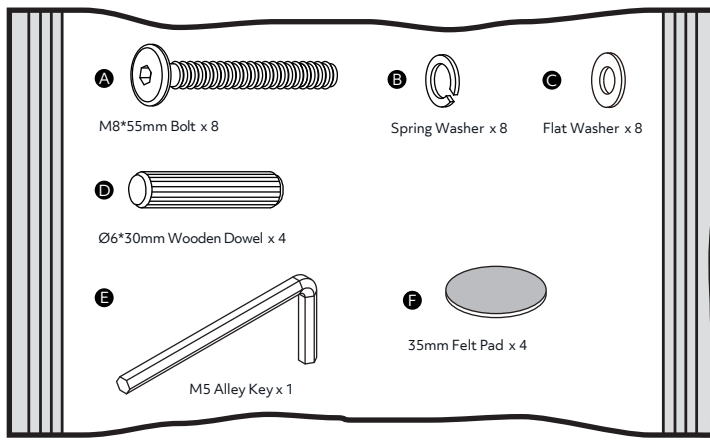


1 Table Top x 1
(1790 x 390mm)

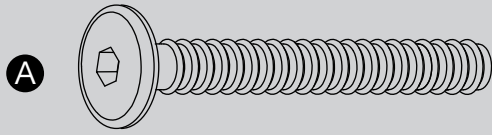


2 Leg x 4
(450 x 40mm)

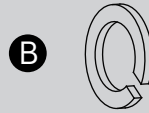
1



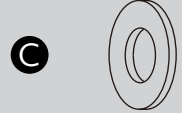
2



M8*55mm Bolt x 8



Spring Washer x 8



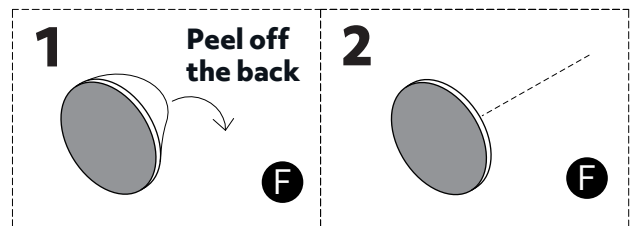
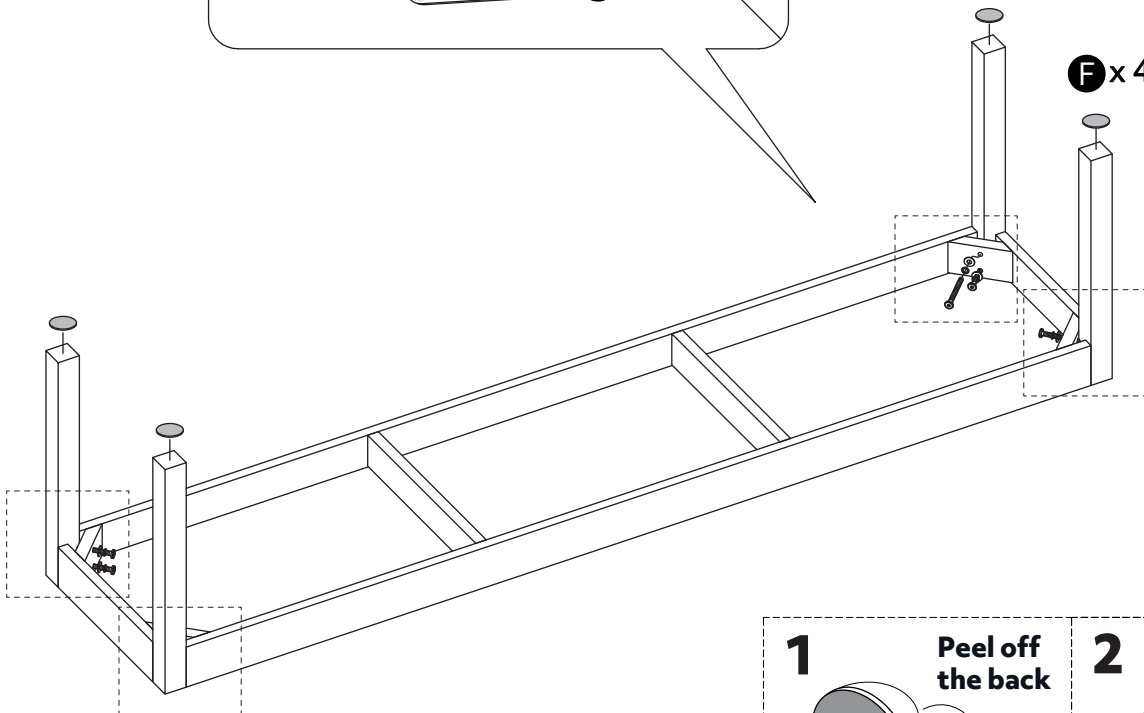
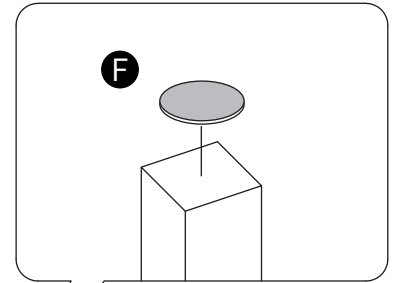
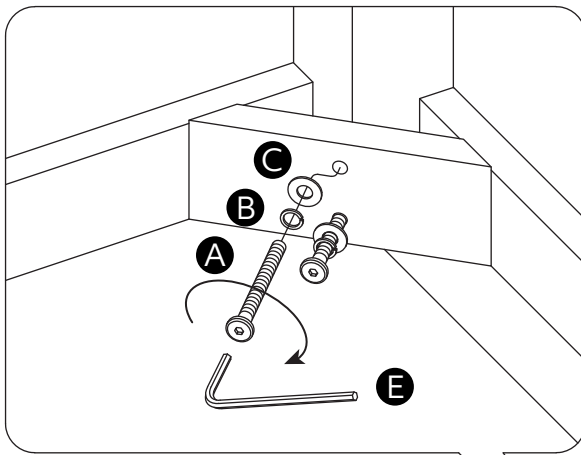
Flat Washer x 8



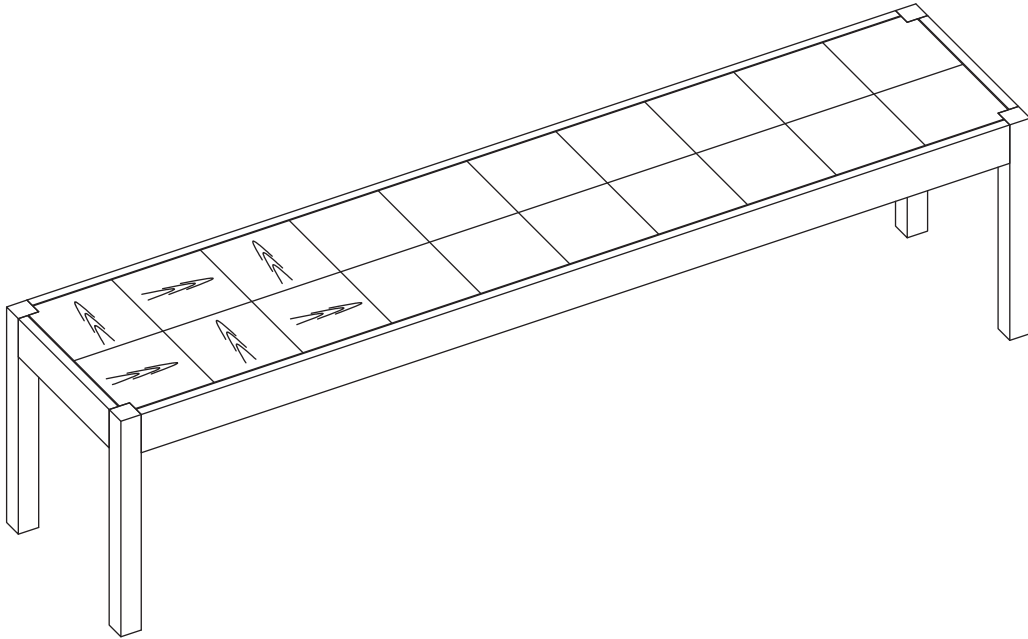
M5 Alley Key x 1



35mm Felt Pad x 4



3



Assembly is complete.