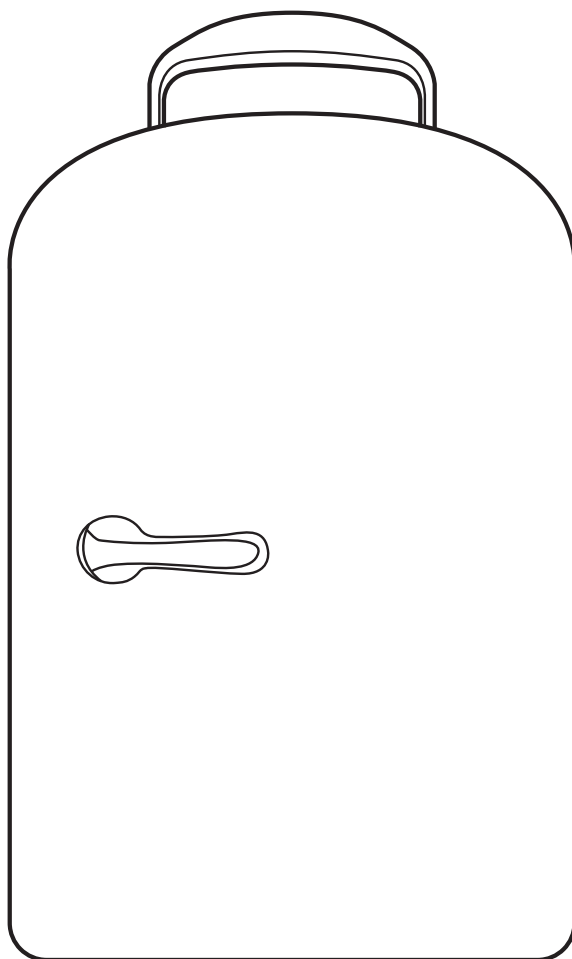




INSTRUCTION MANUAL

MNBX4



Safety information

Important - Please read these instructions fully before installing or operating

Power source

- The appliance can be connected to a 220-240 volt 50/60Hz AC supply by means of a three pin socket (mains adaptor sold separately).
- When using the 12V in-car adaptor the compact fridge should not be left connected for long periods of time when the engine is not running.
- DO NOT connect directly to a 24V lighter socket of a heavy duty vehicle.
- Unplug this apparatus during lightning storms or when unused for long periods of time - to prevent damage to this product.



- Opening or removing covers may expose you to dangerous voltages or other hazards.



- To prevent risk of fire or electric shock, avoid overloading wall outlets, extension cords, or integral convenience receptacles.
- Use suitable power sources - Plug the product into a suitable power source, as described in the operating instructions or as marked on the product.
- The supply voltage should be the same as that indicated in the technical specifications and the appliance rating plate.
- In order to disconnect the apparatus from the mains completely switch off the outlet and remove the mains plug completely.



- Do not bend, stretch or pull the supply cable in order to avoid electric shock.
- When installed, the power socket must be within easy reach.

Moisture and water

- Do not use this apparatus near water or moisture.
- Do not use this product near a bathtub, wash-bowl, kitchen sink, and laundry tub, in a wet basement, near a swimming pool, outdoors, or anywhere else that water or moisture is present.

Safety information

Important - Please read these instructions fully before installing or operating

Heat sources and flames



- To prevent risk of fire or electric shock, avoid overloading wall outlets, extension cords, or integral convenience receptacles.

Ventilation and location



- Avoid using locations where dust or other airborne contamination may be drawn into the fan.
- Allow at least 10cm distance from the back and sides of the compact fridge to allow the withdrawn heat to disperse.
- Never leave the fridge running in poorly ventilated areas e.g. a car boot.

Servicing and repairs

- Refer all servicing to qualified service personnel
- Servicing is required when the apparatus has been damaged in any way: such as liquid has been spilled or objects have fallen into the apparatus; the apparatus has been exposed to rain or moisture, does not operate normally, or has been dropped

General

- This item cools to 15-20°C below room temperature. If left in a cool room this may freeze contents.
- DO NOT use your compact fridge to store medication or anything that must be stored at a constant temperature.
- Allow 30 minutes for the compact fridge to return to room temperature before attempting to switch from heating to cooling mode, or visa versa.
- Do not sit on the fridge.

4 litre compact fridge

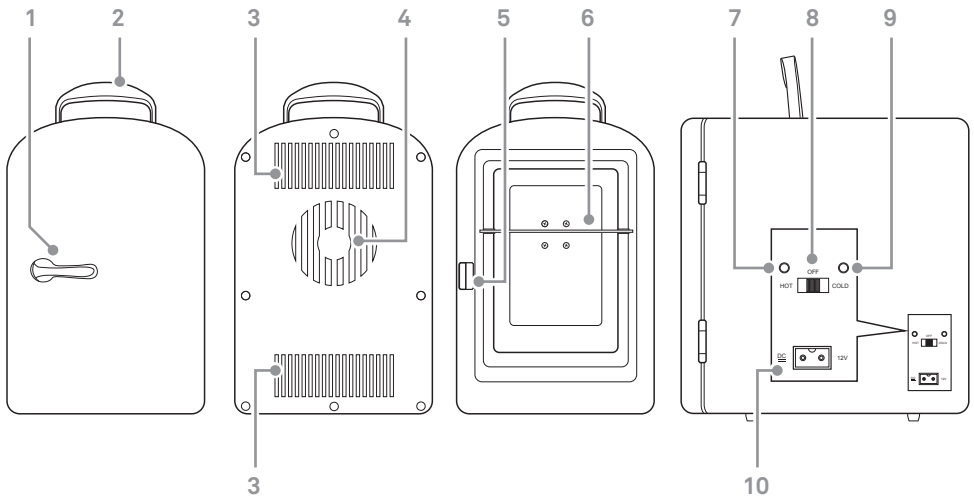
Introduction

Please read these instructions carefully. They contain important information which will help you get the best from your product and ensure safe and correct installation and operation.

Accessories

1. 4L compact fridge
2. In-car mains adaptor

Features



- | | |
|-----------------|-------------------------------|
| 1. Door handle | 6. Internal shelf |
| 2. Carry handle | 7. HOT LED indicator (RED) |
| 3. Air vent | 8. MODE switch |
| 4. Fan | 9. COLD LED indicator (GREEN) |
| 5. Door catch | 10. POWER DC socket |

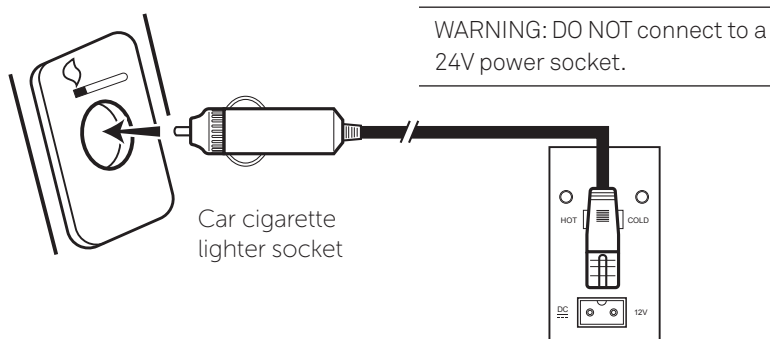
4 litre compact fridge

Operating instructions

Connecting the power (in-car only)

Set the MODE switch (8) to the OFF position before connecting to the car power supply.

1. Insert the smaller end of the power cable into the POWER DC input (10) on the rear of the fridge.



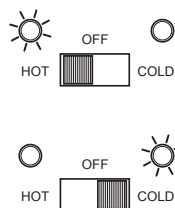
2. Secure the fridge in place and insert the larger end of the power cable into the cigarette lighter socket of the vehicle.

WARNING: You risk running the car battery flat if you leave the fridge connected for a long period of time.

NOTE: The mains AC adaptor is available separately.

Operating the fridge

1. Switch to COLD mode (cooling begins and the green LED illuminates). Switch to HOT mode (the warming function begins and the red LED illuminates).
2. When the switch is set to OFF neither function is active (no LED is illuminated).



4 litre compact fridge

Product support

Cooling tips

- To achieve the quickest cooling operation, fill the fridge with beverages which have already been refrigerated. They will then stay cool and become even cooler providing the fridge remains switched on.
- The temperature at which the fridge operates depends on the surrounding ambient temperature. Cooling will be more efficient in a colder environment.

Warming tips

- The box is designed and used for the purpose of keeping warm items warm. And not for warming up items.
- Hot items stays hot for a number of hours after the fridge has been switched off, providing the door is closed properly.

Care and maintenance

- Ensure you disconnect the plug fully before performing regular maintenance.
- Use a vacuum cleaner or brush to clean the fan monthly.
- Clean the case with a wet cloth and neutral cleanser.
- Ensure the inside is fully dry before storing when not in use.


Please note:

- Cool air from inside the compact fridge draws moisture out of nearby warmer air, which condenses on the inner surface. Wipe away any moisture build up with a soft cloth and avoid opening the fridge door regularly to reduce excessive condensation build-up.
- If the mini fridge is powered off after an extended period then condensation may collect underneath the unit. This is normal, so steps should be taken to protect the surface the mini fridge is placed on.

4 litre compact fridge


Product support

Technical specification

Specification	Rating
Dimensions	H28.2. W19. D26.8cm
Volume	4L
Net weight	1.86KG (Fridge only)
DC voltage	12V DC  4A
Power consumption	COOL: 40W MAX HEAT: 30W MAX
Heating capability	55°C - 65°C @ 25°C ambient temp
Cooling capability	15°C - 20°C @ below ambient temp @ 25°C

Disposal

- Disposal of your old product. Your product is designed and manufactured with high quality materials and components, which can be recycled and reused
- When this crossed out wheeled bin symbol is attached to a product it means the product is covered by the European Directive 2002/96/EC.
- Please make yourself aware of the local collection system for electrical and electronic products.
- Please act according to your local rules and do not dispose of your old products with your normal household waste.
- The correct disposal of your old product will help prevent potential negative consequences for the environment and human health.

 This appliance complies with the following EEC directive: 2014/30/EU EMC directive

4 litre compact fridge

Product support

Troubleshooting

NOTE: The fan will periodically stop when the fridge is in WARM mode. This is normal operation.

Problem	Solution
The fridge is not functioning and the fan is not spinning.	<ul style="list-style-type: none">• Check the power cable is connected correctly and the MODE switch is set to either HOT or COLD• The in-car adaptor (cigarette lighter end) may have debris preventing the contact. If necessary clean with a non metal brush and solvent.• The mains power socket is not switched on (mains adaptor sold separately).• There may be debris preventing the fan from spinning. Use a vacuum to remove the dust/debris.• Check the mains socket with another device. You may have a faulty socket.
The fridge is making a whirring noise	<ul style="list-style-type: none">• This is normal when the fridge is cooling down.

4 litre compact fridge

Product support

<p>The compact fridge is not cooling sufficiently.</p>	<ul style="list-style-type: none">• Check the MODE switch is set to COLD (the green LED is illuminated).• Check the fan is free of dust and is spinning freely. (NOTE: cooling is effected by the external ambient temperature.• Allow 30 minutes for the compact fridge to return to room temperature before attempting to switch from heating to cooling mode, or visa versa.• Allow at least 10cm distance from the back and sides of the compact fridge to allow the withdrawn heat to disperse.• To achieve the quickest cooling operation, fill the fridge with beverages which have already been refrigerated. They will then stay cool and become even cooler providing the fridge remains switched on.• The temperature at which the fridge operates depends on the surrounding ambient temperature. Cooling will be more efficient in a colder environment.
<p>The compact fridge is not warming sufficiently</p>	<ul style="list-style-type: none">• Check the MODE switch is set to HOT (the red LED is illuminated).

4 litre compact fridge

Warranty

This CRISTAL appliance is guaranteed to be free from defects in parts and manufacture for 12 months from date of purchase, provided that the unit is used under the normal operating conditions shown within the manual. Please note:

- Clarity Vision Group Ltd. will not accept any liability for damage or injury caused by improper use.
- Clarity Vision Group Ltd. will not be liable for any damage caused by moving the appliance; improper power supply; defective wiring or fuses; accident, alteration, abuse or misuse of the appliance; abnormal operating conditions; commercial or industrial use; fire; water damage; or customer misuse.
- This warranty is void if service on the unit is performed by any person other than an approved technician, or if the appliance is used for commercial purposes.
- This warranty does not cover:
 1. periodic maintenance and repair or parts replacement due to wear and tear.
 2. consumables (components that are expected to require periodic replacement during the lifetime of a product such as non-rechargeable batteries, bulbs, etc.)
 3. damage or changes to the product as a result of : Accidents, fire, liquids, chemicals, other substances, flooding, vibrations, excessive heat, improper ventilation, power surges, excess or incorrect supply or input voltage, radiation, electrostatic discharges including lighting, other external forces and impacts.

This warranty is available only to the original purchaser and is not transferable.

Your legal consumer rights reserved and are not affected.

Consumers have legal (statutory) rights under applicable national laws relating to the sale of consumer products. This warranty does not affect statutory rights you may have nor those rights that cannot be excluded or limited, nor rights against the person from whom you purchased the product. You may assert any rights you have.

If service is required, **DO NOT ATTEMPT TO REPAIR UNIT YOURSELF**. Please return unit to the store you purchased it from. Service support is provided by the store. Proof of purchase will be required for any warranty claims. You must retain your original receipt. If service under warranty is required, you will be required to produce this. Please also retain the original packaging should the unit need to be returned. This warranty does not cover transport costs and risks associated with transport of your product to and from the store.

Please note: As part of our policy of continuous product improvement, Clarity Vision Group Ltd. reserves the right to amend specifications without notice.



Contact:

Clarity Vision Group Ltd

Unit 9 High March Industrial Estate, Daventry,

Northamptonshire, NN11 4HB

Rev 1.2