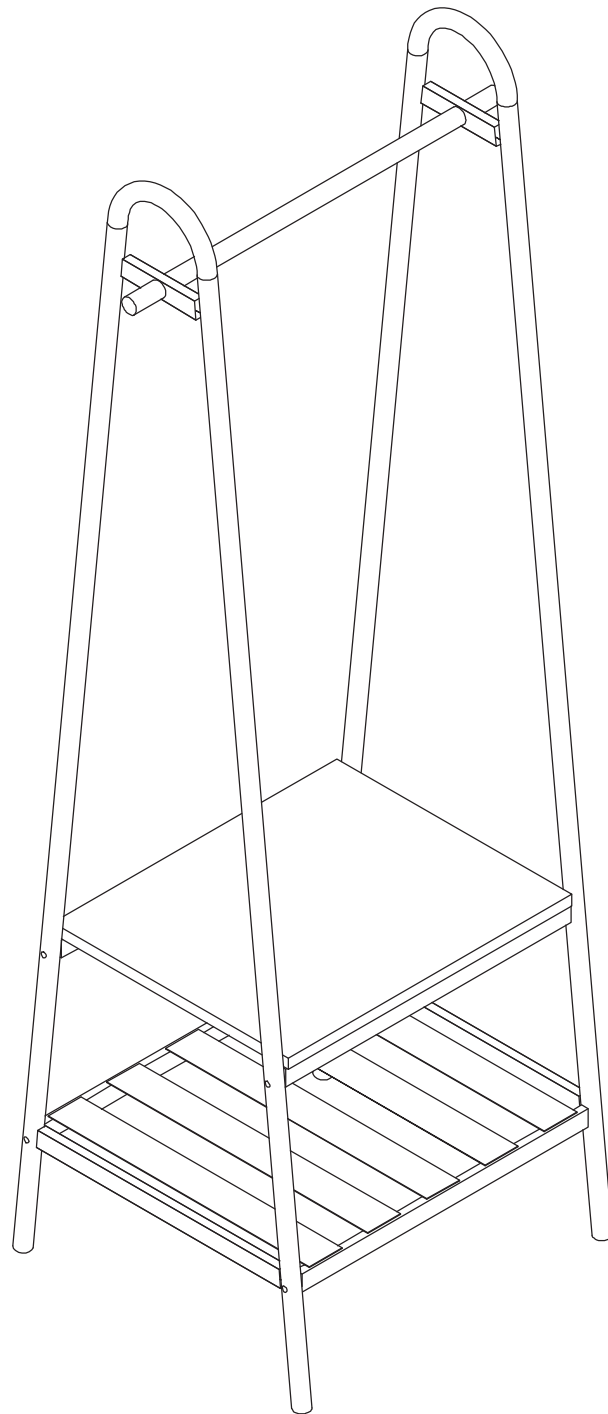


Industrial

habitat




Spare Parts

 www.argos-support.co.uk

 Help@ClickSpares.co.uk

 0370 112 1928

Customer Support

 0345 640 2020

Safety and Care Advice

Product Details

2001629-HAB TURNER RAIL BLACK - SINGLE
1175738-HAB TURNER RAIL WHITE - SINGLE

IMPORTANT, RETAIN FOR FUTURE REFERENCE: READ CAREFULLY.

- Keep children and animals away from the work area, small parts could choke if swallowed.
- Make sure you have enough space to layout the parts before starting.
- This product has been constructed to be used in the domestic environment only and not for commercial purposes.

- Assemble the item as close to its final position (in the same room) as possible.
- Assemble on a soft level surface to avoid damaging the unit or your floor.



- We do not recommend the use of power drill/ drivers for inserting screws as this could damage the unit.

Only use hand screwdrivers.

- Parts of the assembly will be easier with 2 people.
- Dispose of all packaging carefully and responsibly.

Care and maintenance

- Only clean using a damp cloth and mild detergent. Do not use abrasive cleaners.
- Use a dry cloth to clean the product, furniture polish is not recommended.

- From time to time check that there are no loose screws, nuts or bolts. If there are please re-tighten.

- This product should not be discarded with household waste. Take to your local authority waste disposal centre.

Additional Guidance

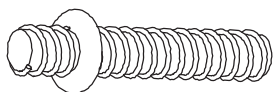
- Assemble all parts and bolts loosely during assembly, only once the product is complete should you fully tighten the bolts.
- Regularly check and ensure that all bolts and fittings are tightened properly.
- This product is compliant BS 4875-7, EN 14749, FIRA 6250 general level, Lead, EN 717-3.

Sainsbury's Argos is a trading name of both: Argos Limited, Registered office: 489-499 Avebury Boulevard, Milton Keynes, United Kingdom, MK9 2NW, registered number: 01081551 (England and Wales); and Sainsbury's Supermarkets Limited, Registered office: 33 Holborn, London, EC1N 2HT, registered number: 03261722 (England and Wales). Both companies are subsidiaries of J Sainsbury's plc.

Fittings (Shown to scale)

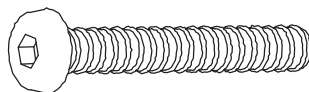
Bag 1

A



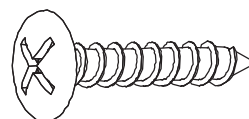
35mm Double Ended
Machine Screw x2

B



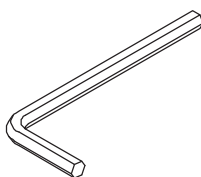
40mm Screw x8

C



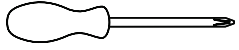
32mm Screw x4

D

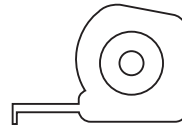


Allen Key x1

Tools required



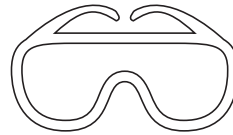
Phillips screwdriver
(small & medium)



Ruler/tape
measure

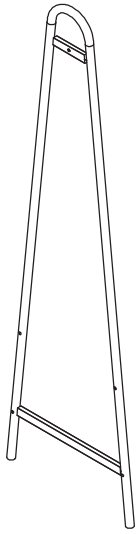


Mallet

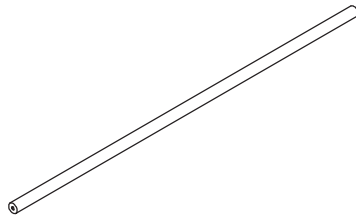


Eye protection
(when using a hammer
or glue)

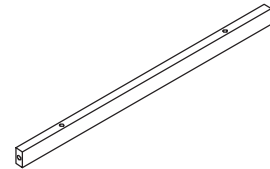
Panels



1 Side Bars x 2
(150cm x 45cm)



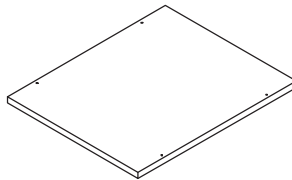
2 Top Rail x 1
(44cm x 2.2cm)



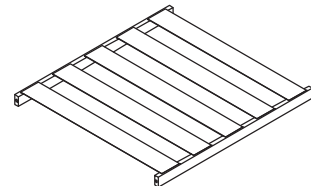
3 Support Bar x 2
(43.5cm x 2cm)



4 Rail End x 2
(4.5cm x 2.2cm)

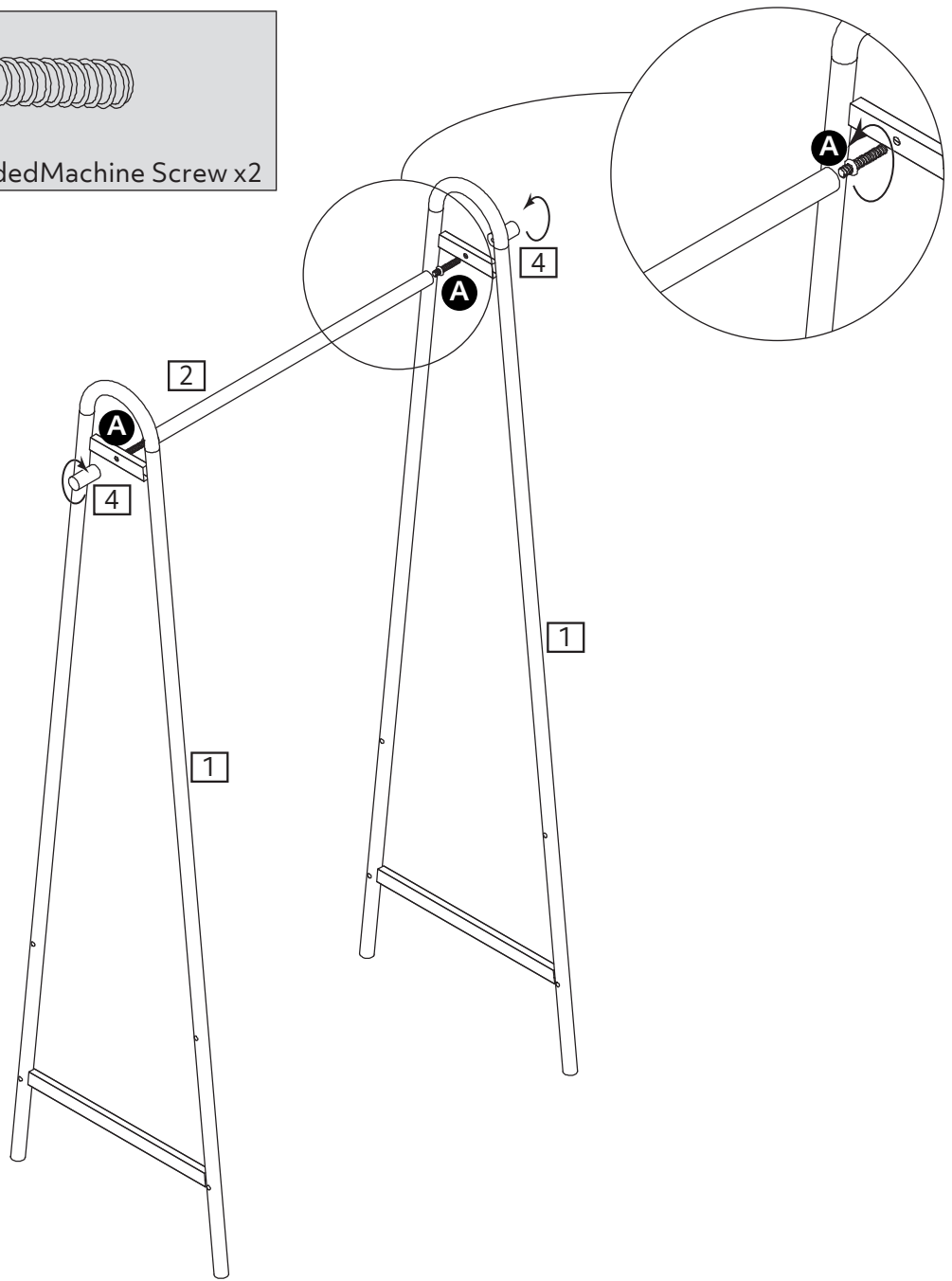
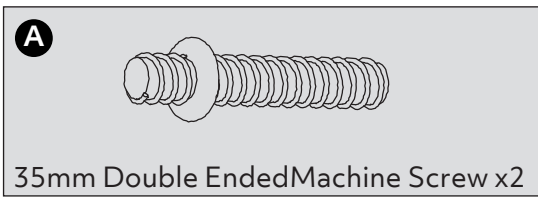
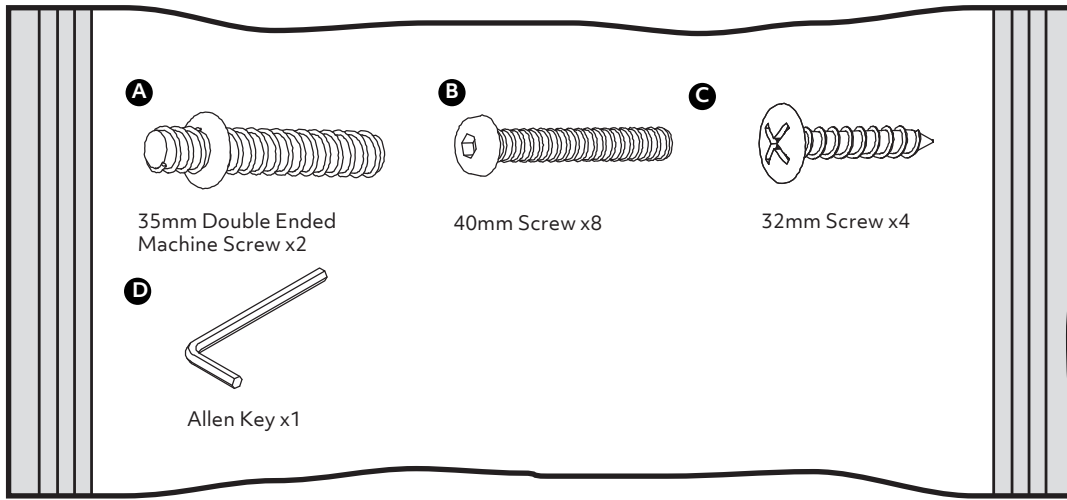


5 Shelf x 1
(43.3cm x 36cm)

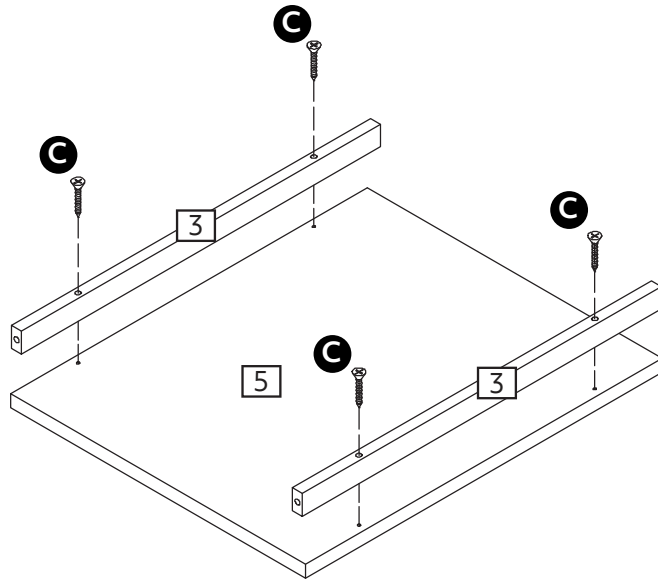
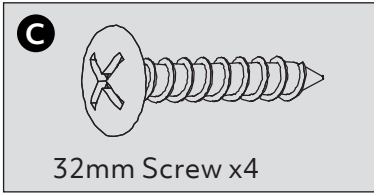


6 Shoe Rack x 1
(43.5cm x 40.6cm)

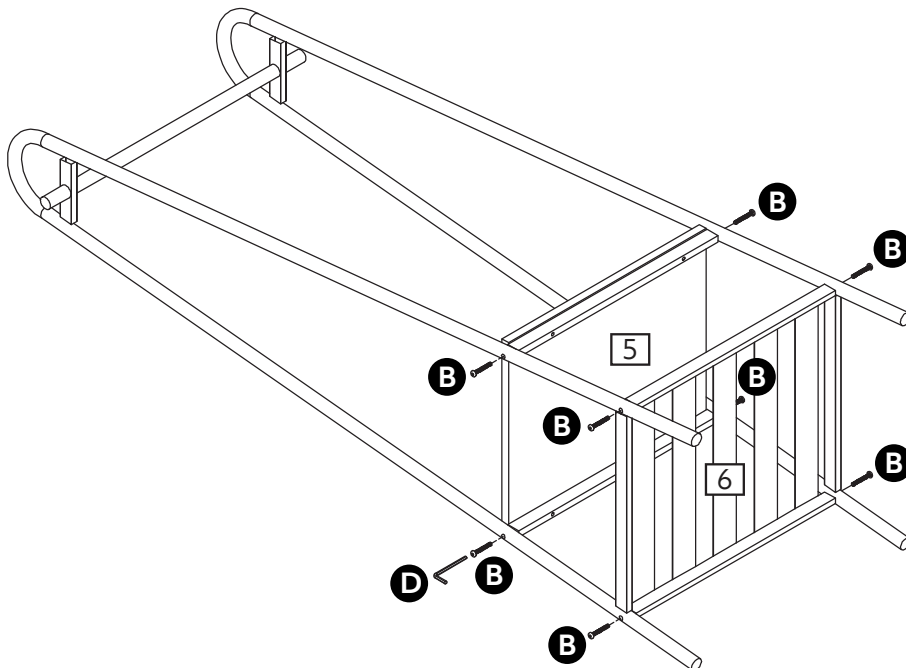
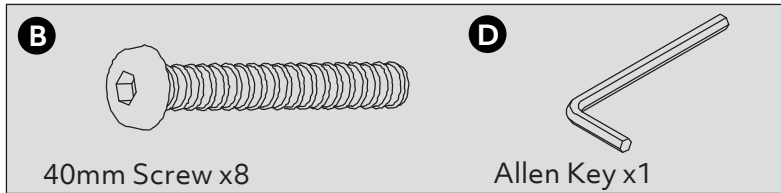
1



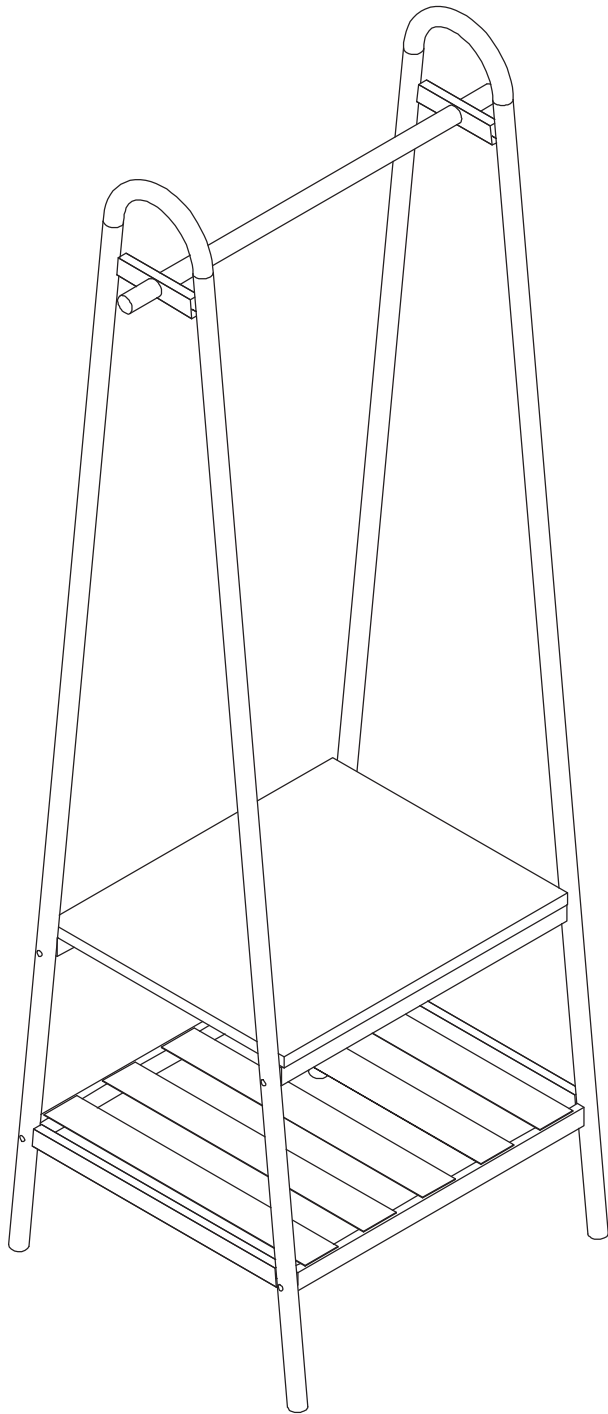
2



3



4



Assembly Is Complete