

**Serie | 6, Washing machine, front loader, 9 kg, 1400 rpm  
WGG2449RGB**



**Perfect results with minimum energy and water consumption, thanks to energy Class A and ActiveWater Plus.**

- **SpeedPerfect:** perfectly clean in up to 65% less time\*.
- **AntiStain:** reliably removes four of the most common stains.
- **ActiveWater Plus:** For highly efficient use of water even with smaller loads thanks to automatic load detection.
- **EcoSilence Drive™:** quiet and energy-efficient drive, with a 10-year warranty.
- **Best energy class A:** save energy with the most efficient class A.

**Technical Data**

Construction type: Free-standing  
 Door hinge: Left  
 Length of electrical supply cord: 210 cm  
 : 850.00 mm  
 Height of the product: 848 mm  
 Dimensions of the product: 848 x 598 x 590 mm  
 Wheels: No  
 Net weight: 72.9 kg  
 Drum volume: 63 l  
 Main colour of product: Cast iron grey  
 Door Frame: Silver-black grey  
 Noise level washing: 51 DB dB(A) re 1 pW  
 Connection rating: 2300 W  
 Fuse protection: 10 A  
 Voltage: 220-240 V  
 Frequency: 50-60 Hz  
 Energy Star Qualified: No  
 Cord Included: Yes  
 Plug type: GB plug  
 Length of drain hose (in): 59.05  
 Length of supply hose (in): 59.05  
 Appliance Dimensions (h x w x d) (inches): x x  
 Dimensions of the packed product: 34.66 x 25.70 x 27.23  
 Net weight: 161.000 lbs  
 Gross weight: 164.000 lbs  
 Length of drain hose: 150.00 cm  
 Length of supply hose: 150.00 cm  
 Dimensions of the packed product (HxWxD): 880 x 691 x 653 mm  
 Gross weight: 74.5 kg  
 Connection rating: 2300 W  
 Fuse protection: 10 A  
 Voltage: 220-240 V  
 Frequency: 50-60 Hz  
 Approval certificates: CE, E17D UKCA marking, VDE  
 Water protection system: Multiple water protection  
 Number of Options: 9  
 Maximum spin speed: 1400 rpm  
 Spin speed options: Variable  
 Digital countdown indicator: Yes  
 Drying progress indicator: LED, LED-display  
 Energy Efficiency Class: A  
 Weighted energy consumption in kWh per 100 washing cycles of eco 40-60 programme: 46 kWh  
 Maximum capacity in kg: 9.0 kg  
 The water consumption of the eco programme in liters per cycle: 48 l  
 Duration of eco 40-60 programme in hours and mins at rated capacity: 3:48 h  
 Spin-drying efficiency class of eco 40-60 programme: B  
 Airborne acoustical noise emission class: A  
 Airborne acoustical noise emissions : 71 dB(A) re 1 pW



**Optional accessories**

WMZ2200 : Floor securing component  
 WMZ2381 : Extension for cold water inlet /Aquastop  
 WMZPW20W :

## Serie | 6, Washing machine, front loader, 9 kg, 1400 rpm WGG2449RGB

### Perfect results with minimum energy and water consumption, thanks to energy Class A and ActiveWater Plus.

#### Performance

- Energy Efficiency Class<sup>1</sup>: A
- Energy<sup>2</sup> / Water<sup>3</sup>: 46 kWh / 48 litres
- Load capacity: 1 - 9 kg
- Programme duration<sup>4</sup>: 3:48 h:min
- Spin drying efficiency class: B
- Spin speed<sup>\*\*</sup>: 400 - 1400 rpm
- Noise level: 71 dB (A) re 1 pW
- Noise efficiency class: A

#### Programmes/functions

- Touch control buttons: Reduced Ironing option, Ready in, stain selection, start/pause with reload function, Temperature selection, SpeedPerfect, Prewash, Spin speed reduction, Aqua Plus/Rinse Hold
- Standard programmes: cottons, easy care, delicates, wool hand wash
- Special programmes: Drum clean with reminder, jeans/dark laundry, Drain / Spin, Mixed Load, Sportswear, Single Rinse, Duvet, Super Quick 15/30
- Safeguard monitoring system adjusts load distribution and programme settings to protect clothes

#### Key features

- SpeedPerfect: perfectly clean in up to 65% less time. \*\*\*
- AntiStain - 4 stain removal options at the touch of a button
- Reload function: Flexibility to add or remove laundry items of any size even after start of the wash cycle.
- AntiVibration Design - for more stability and quietness
- EcoSilence drive with 10 year warranty

#### Additional features

- Large LED-Display for programme status indication, max. spin speed, remaining time and 24 h end time delay and load recommendation
- Hygiene Plus: clean laundry and effective removal of germs
- VarioDrum: gentle and efficient washing
- Drum volume: 63 litres
- Drum clean with reminder function
- Drum interior light
- ActiveWater Plus: for highly efficient use of water even with smaller loads thanks to automatic load detection.
- AntiStain
- Aqua Protection
- soft dial
- Foam detection system
- Child lock
- Acoustic signals: Buzzer
- Detergent dispensing: easy clean
- Divider for Liquid Detergent

#### Technical Information

- Slide-under installation
- Large silver-black grey door with 165° opening
- Dimensions (H x W): 84.8 cm x 59.8 cm
- Appliance depth: 59.0 cm
- Appliance depth incl. door: 63.6 cm
- Appliance depth with open door: 107.3 cm

<sup>1</sup> Scale of Energy Efficiency Classes from A to G

<sup>2</sup> Energy consumption in kWh per 100 cycles (in programme Eco 40-60)

<sup>3</sup> Weighted water consumption in litres per cycle (in programme Eco 40-60)

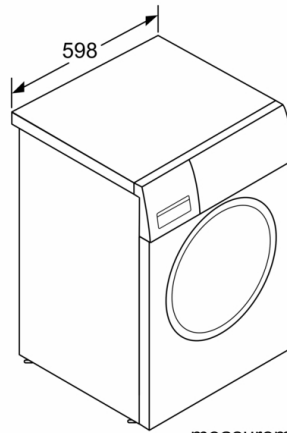
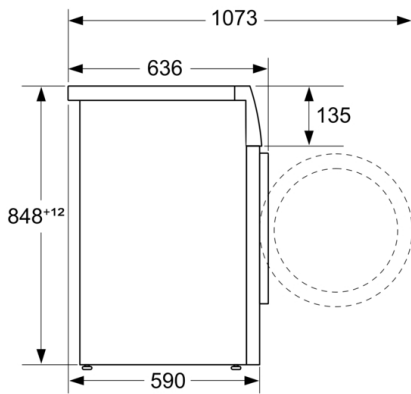
<sup>4</sup> Duration of Eco 40-60 programme

\*\* Values are rounded.

\*\*\* Comparison between the program duration of Easy-care 40°C and the program duration of Easy-care 40°C + activated Speed option

**Serie | 6, Washing machine, front loader, 9  
kg, 1400 rpm  
WGG2449RGB**

measurements in mm



measurements in mm