

**Serie | 6, Fully-integrated dishwasher,  
60 cm  
SMV6ZCX01G**



**PerfectDry dishwashers for best drying results with flexible and practical loading solutions for all your different styles of dishes.**

- **Home Connect:** home appliances with smart connectivity for an easier everyday life.
- **PerfectDry:** perfect drying results using less energy – even with hard-to-dry items.
- **TimeLight:** program status and remaining time clearly displayed on floor in high resolution.
- **Flex baskets:** flexible and practical solution for easy loading.
- **VarioDrawer:** 3rd level loading for cutlery and smaller kitchen utensils.

**Technical Data**

Energy Efficiency Class: C  
 Energy Consumption for 100 cycles Eco Programme: 75 kWh  
 Maximum number of place settings: 14  
 The water consumption of the eco programme in liters per cycle: 9.5 l  
 Programme duration: 3:55 h  
 Airborne acoustical noise emissions : 44 dB(A) re 1 pW  
 Airborne acoustical noise emission class: B  
 Cleaning performance: A  
 Water consumption: 9.5 l  
 Total annual energy consumption 220 days: 183 kWh  
 Total annual water consumption 220 days: 2090 l  
 Construction type: Built-in  
 Removable work top: No  
 Door panel options: Not possible  
 Height of removable worktop: 0 mm  
 Height of the product: 815 mm  
 Adjustable feet: Yes - all from front  
 Maximum adjustability feet: 60 mm  
 Adjustable plinth: both horizontal and vertical  
 Net weight: 45.7 kg  
 Gross weight: 48.0 kg  
 Connection rating: 2400 W  
 Fuse protection: 10 A  
 Voltage: 220-240 V  
 Frequency: 50; 60 Hz  
 Approval certificates: CE, VDE  
 Length of electrical supply cord: 175 cm  
 Plug type: GB plug  
 Length inlet hose: 165 cm  
 Length outlet hose: 190 cm  
 Hidden heating element: Yes  
 Water protection system description: Triple water protection 24h  
 Child Safety: No  
 Water softener: Yes  
 Top basket type: R2  
 Adjustable upper basket: Rackmatic 3-stage  
 Bottom basket type: R2  
 3rd Rack: 3rd Rack 1.1  
 Optional accessories: SGZ0IC00, SGZ1010, SGZ8BI00, SMZ2056, SMZ5100, SMZ5300, SMZ5003, SMZ5005, SMZ5035  
 Included accessories 2: baking-sheet spray head grey, vapor barrier plate  
 Number of place settings: 14  
 Color / Material panel: Black  
 Dimensions of the product (HxWxD): 815 x 598 x 550 mm  
 Dimensions of the packed product (HxWxD): 880 x 670 x 660 mm



**Optional accessories**

- SGZ0IC00 :
- SGZ1010 : inlet and outlet hose extention
- SGZ8BI00 : Connection rail for divided furniture
- SMZ2056 :
- SMZ5003 : Retractable hinge f. high corpus dimens.
- SMZ5005 : Compensating + fixing kit, stainl. steel
- SMZ5035 : Decor conversion kit, stainless steel
- SMZ5100 : Vario-cutlery basket
- SMZ5300 : GlassSecure Tray



## Serie | 6, Fully-integrated dishwasher, 60 cm SMV6ZCX01G

### PerfectDry dishwashers for best drying results with flexible and practical loading solutions for all your different styles of dishes.

#### New for 2021

#### Performance

- Energy Efficiency Class<sup>1</sup>: C
- Energy<sup>2</sup> / Water<sup>3</sup>: 75 kWh / 9.5 litres
- Capacity: 14 place settings
- Programme duration<sup>4</sup>: 3:55 (h:min)
- Noise level: 44 dB(A) re 1 pW
- Noise Efficiency Class: B
- Noise level (silence programme): 42 dB(A) re 1 pW

#### Programmes / functions

- 6 programmes: Eco 50 °C, Auto 45-65 °C, Intensive 70 °C, Express 60 °C, Silence 50 °C, Favourite
- Default favourite programme: Pre-Rinse
- 4 special options: Remote Start, Extra Dry, Half Load, SpeedPerfect+
- Machine Care
- Silence on Demand (via app)

#### Flexible design elements

- Flex basket system
- VarioDrawer - loading of cutlery on 3rd level
- 3 stage Rackmatic height-adjustable top basket
- Low friction wheels on bottom basket
- Rack Stopper to prevent derailing of bottom basket
- 2 foldable plate racks in top basket
- 2 foldable plate racks in bottom basket
- Upper rack cup shelf
- Lower rack cup shelf

#### Innovations and technology

- Home Connect ready on WLAN
- Zeolith - Energy efficient and perfect drying results
- Heat exchanger.
- DosageAssist detergent dispenser
- EcoSilence BLDC drive
- Automatic detergent detection
- AquaMix - Glass protection system
- AquaSensor III

#### Design features

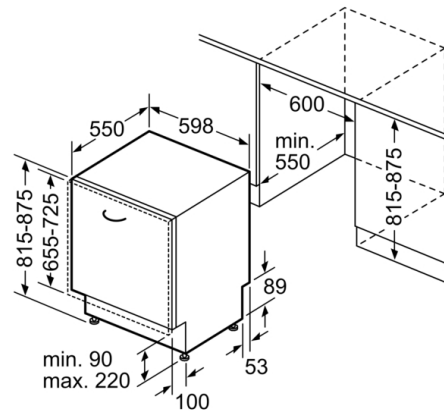
- Push button top edge controls
- TimeLight - Light projection on the floor
- Acoustic end of cycle indicator, Time remaining indicator (min), water inlet indicator
- Time delay (3, 6 or 24 hours)
- AquaStop: Bosch's warranty in case of water damage - for the lifetime of the appliance. Please find warranty terms under <https://www.bosch-home.co.uk/customer-service/care-protection-and-parts/additional-warranties>
- Self-cleaning filter system with 3 piece corrugated filter
- Large item spray head, steam protection plate
- Stainless steel interior
- Dimensions (HxWxD): 81.5 x 59.8 x 55cm
- <sup>1</sup> Scale of Energy Efficiency Classes from A to G
- <sup>2</sup> Energy consumption in kWh per 100 cycles (in programme Eco 50 °C)
- <sup>3</sup> Water consumption in litres per cycle (in programme Eco 50 °C)
- <sup>4</sup> Duration of programme Eco 50 °C

## Serie | 6, Fully-integrated dishwasher, 60 cm SMV6ZCX01G

measurements in mm



⌚ socket  
( ) values with extension kit



measurements in mm