

**Series 4, fully-integrated dishwasher,  
60 cm  
SMV4HVX38G**



**Flexible loading and smart remote control  
of your dishwasher via the Home Connect  
app.**

- **Home Connect:** home appliances with smart connectivity for an easier everyday life.
- **ExtraDry:** extra drying option for difficult-to-dry loads.
- **VarioFlex-baskets and VarioDrawer:** enhanced flexibility options with more space on all levels.
- **InfoLight:** a red infolight on the floor indicates whether the dishwasher is switched on or off.
- **Favourite function:** personalized function by just one touch.

**Technical Data**

Energy Efficiency Class: D  
 Energy Consumption for 100 cycles Eco Programme: 84 kWh  
 Maximum number of place settings: 13  
 The water consumption of the eco programme in liters per cycle: 9.5 l  
 Programme duration: 5:20 h  
 Airborne acoustical noise emissions : 46 dB(A) re 1 pW  
 Airborne acoustical noise emission class: C  
 Cleaning performance: A  
 Water consumption: 9.5 l  
 Total annual energy consumption 220 days: 202 kWh  
 Total annual water consumption 220 days: 2090 l  
 Built-in / Free-standing: Built-in  
 Removable top: No  
 Door panel options: Not possible  
 Height of removable worktop: 0 mm  
 Height without worktop / build under: 815 mm  
 Adjustable feet: Yes - all from front  
 Maximum adjustability feet: 60 mm  
 Net weight: 34.0 kg  
 Gross weight: 36.5 kg  
 Connection Rating: 2400 W  
 Fuse protection: 10 A  
 Voltage: 220-240 V  
 Frequency: 50; 60 Hz  
 Approval certificates: CE, VDE  
 Length electrical supply cord: 175 cm  
 Plug type: GB plug  
 Length inlet hose: 165 cm  
 Length outlet hose: 190 cm  
 Hidden heating element: Yes  
 Water protection system description: Triple water protection 24h  
 Child safety devices: No  
 Water softener: Yes  
 Top basket type: mid  
 Adjustable upper basket: Rackmatic 3-stage  
 Bottom basket type: mid  
 3rd Rack: 3rd Rack 1.1  
 Optional accessories: SGZ1010, SGZ8BI00, SMZ2056, SMZ5003, SMZ5006, SMZ5100, SMZ5300  
 Included accessories 2: baking-sheet spray head grey, vapor barrier plate  
 Number of place settings: 13  
 Color / Material panel: Black  
 Dimensions of the product (HxWxD): 815 x 598 x 550 mm  
 Dimensions of the packed product (HxWxD): 880 x 670 x 660 mm



**Optional accessories**

SGZ1010 :  
 SGZ8BI00 :  
 SMZ2056 :  
 SMZ5003 : Retractable hinge f. high corpus dimens.  
 SMZ5006 : decorative strips 81cm st.steel  
 SMZ5100 : Vario-cutlery basket  
 SMZ5300 :



## Series 4, fully-integrated dishwasher, 60 cm SMV4HVX38G

### Flexible loading and smart remote control of your dishwasher via the Home Connect app.

#### New for 2021

#### Performance

- Energy Efficiency Class<sup>1</sup>: D
- Energy<sup>2</sup> / Water<sup>3</sup>: 84 kWh / 9.5 litres
- Capacity: 13 place settings
- Programme duration<sup>4</sup>: 5:20 (h:min)
- Noise level: 46 dB(A) re 1 pW
- Noise Efficiency Class: C

#### Programmes / functions

- 6 programmes: Eco 50 °C, Auto 45-65 °C, Intensive 70 °C, Express 65°, Glass 40 °C, Favourite
- Default favourite programme: Pre-Rinse
- 4 special options: Remote Start, Extra Dry, Half Load, SpeedPerfect+
- Machine Care
- Silence on Demand (via app)

#### Flexible design elements

- VarioFlex baskets
- VarioDrawer - loading of cutlery on 3rd level
- 3 stage Rackmatic height-adjustable top basket
- Low friction wheels on lower basket
- Rack Stopper to prevent derailing of bottom basket
- 2 foldable plate racks in top basket
- 4 foldable plate racks in bottom basket
- Upper rack cup shelf

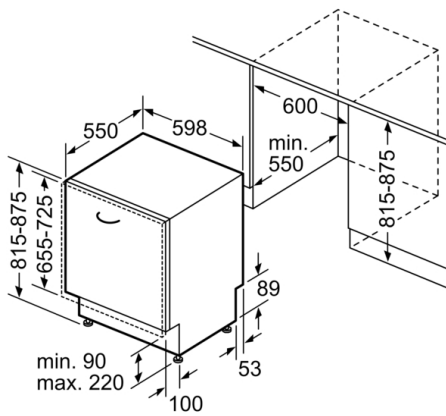
#### Innovations and technology

- Home Connect ready on WLAN
- Heat exchanger.
- DosageAssist detergent dispenser
- EcoSilence BLDC drive
- Automatic detergent detection
- AquaSensor III
- AquaMix - Glass protection system

#### Design features

- Push button top edge controls
  - InfoLight (Red) - Light projection on the floor
  - Time delay (3, 6 or 24 hours)
  - Acoustic end of cycle indicator, Time remaining indicator (min), water inlet indicator
  - AquaStop: Bosch's warranty in case of water damage - for the lifetime of the appliance. Please find warranty terms under <https://www.bosch-home.co.uk/customer-service/care-protection-and-parts/additional-warranties>
  - Self-cleaning filter system with 3 piece corrugated filter
  - Large item spray head, steam protection plate
  - Stainless steel/Polinox interior
  - Dimensions (HxWxD): 81.5 x 59.8 x 55cm
- <sup>1</sup> Scale of Energy Efficiency Classes from A to G  
<sup>2</sup> Energy consumption in kWh per 100 cycles (in programme Eco 50 °C)  
<sup>3</sup> Water consumption in litres per cycle (in programme Eco 50 °C)  
<sup>4</sup> Duration of programme Eco 50 °C

**Series 4, fully-integrated dishwasher, 60 cm  
SMV4HVX38G**



measurements in mm

